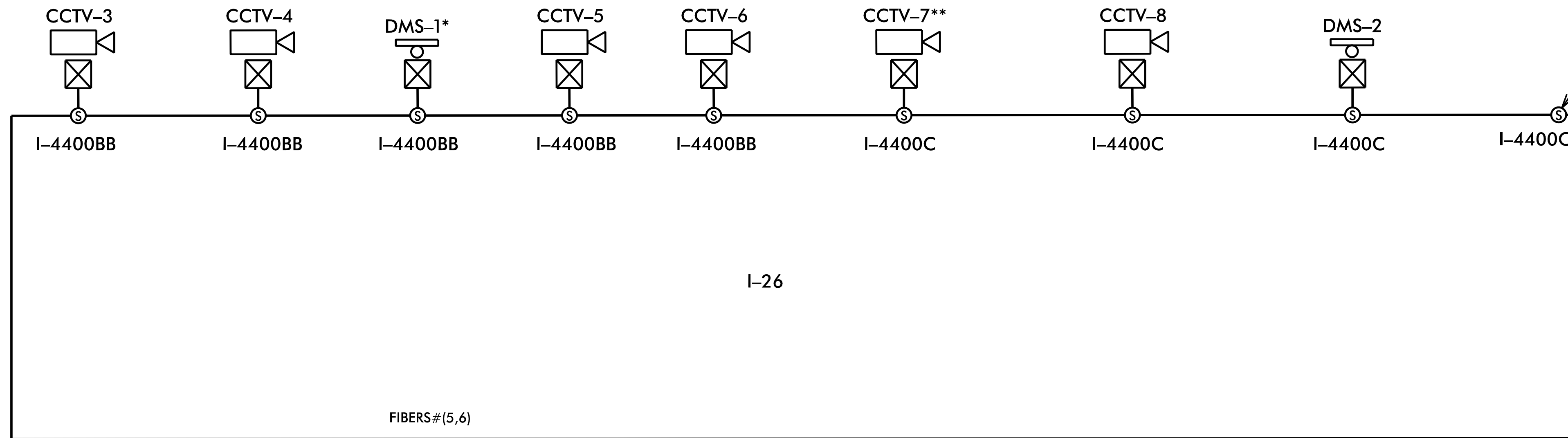


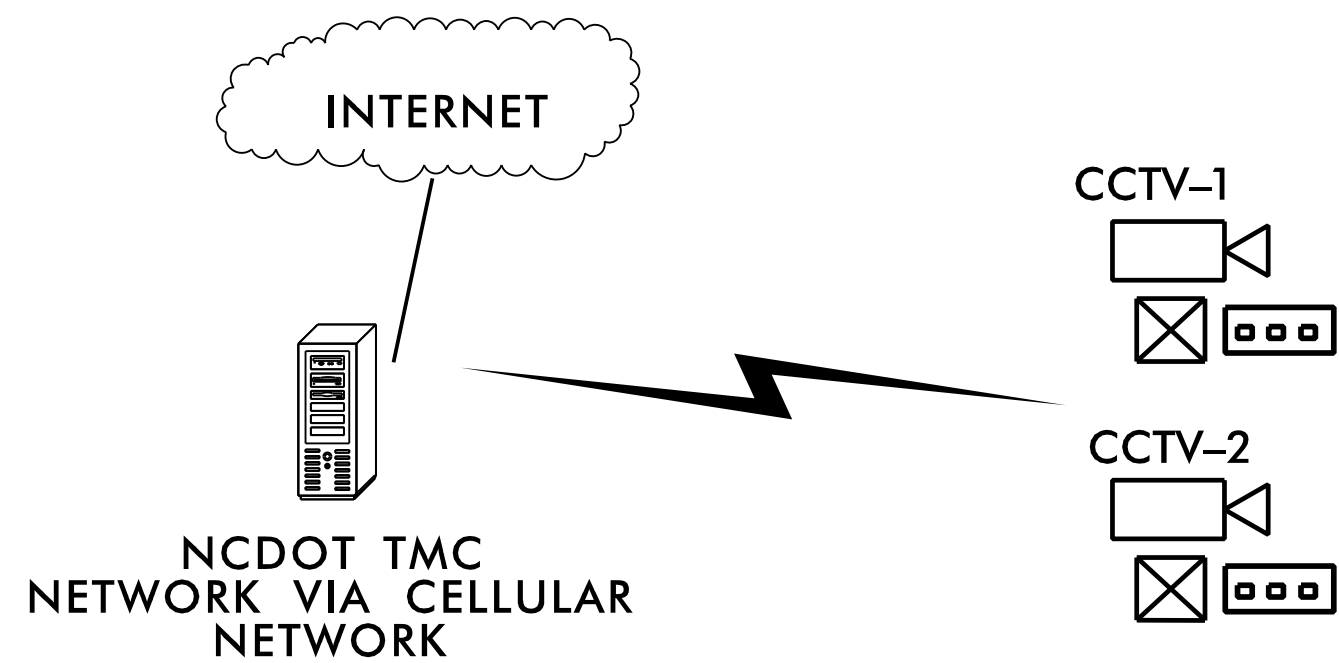
BLOCK DIAGRAM APPLIES TO I-4400BB AND I-4400C



EXISTING TERMINATION SPLICE ENCLOSURE CONNECTS 8 CCTV AND 4 DMS FROM SECTION I-4700

NOTE: FIBERS #3,4 AND FIBERS# 7,8 ARE CONNECTED TO SOLAR PANEL POWERED DEVICES FROM SECTION I-4700

*PROPOSED DMS IS REPLACING EXISTING DMS AT THIS LOCATION.
 **PROPOSED CCTV IS REPLACING EXISTING CCTV AT THIS LOCATION.



LEGEND	
	EXISTING ITS EQUIPMENT CABINET
	PROPOSED ITS EQUIPMENT CABINET
	SPLICE ENCLOSURE
	CCTV (EXISTING)
	CCTV (PROPOSED)
	DMS PEDESTAL MOUNTED WITH CABINET
	CELLULAR MODEM IN CABINET
	CONNECTION TO EXISTING NETWORK
	NETWORK CONNECTION BY THIRD PARTY

DOCUMENT NOT CONSIDERED FINAL UNLESS ALL SIGNATURES COMPLETED

NOTES:

- THIS BLOCK DIAGRAM IS AN APPROXIMATE REPRESENTATION OF CONNECTIONS. SEE SPLICE DIAGRAMS SHEETS FOR DETAILED CONNECTIONS.
- CONTACT NCDOT FOR NETWORK CONFIGURATION WHICH CONSISTS OF BUT IS NOT LIMITED TO IP ADDRESS, VLAN NUMBER, ACL AND PORT CONFIGURATION.
- CONTRACTOR IS RESPONSIBLE FOR COORDINATION WITH NCDOT PERSONNEL TO OBTAIN ALL RELEVANT NETWORK INFORMATION BEFORE TESTING.
- ALL SWITCHES SHALL BE CONFIGURED PER NCDOT SECURITY REQUIREMENTS.

HNTB HNTB NORTH CAROLINA, P.C.
 343 E. Six Forks Road, Suite 200
 Raleigh, North Carolina 27609
 NC License No: C-1554
 (919) 546-8997

 Plans Prepared for: 250 N. Greenfield Place, Garner, NC 27529	I-4400BB NETWORK BLOCK DIAGRAM		SEAL RAKESH NUNE ENGINEER 048072
	Division 14 Henderson Asheville	PLAN DATE: November 2018 REVIEWED BY: T.R. Terrell	
SCALE NONE	REVISIONS	INIT. DATE	DocuSigned by: Rakesh Nune 4/26/2019 SIGNATURE DATE CADD File Name: I4400BB ITS-02.dgn