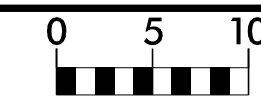


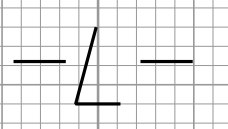
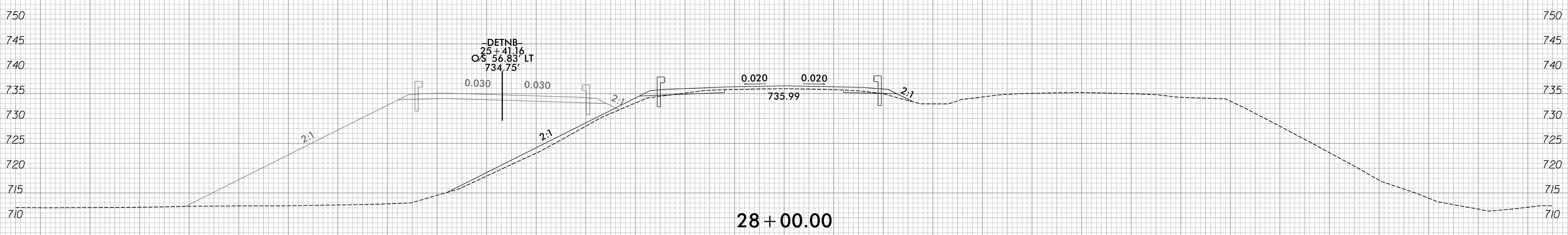
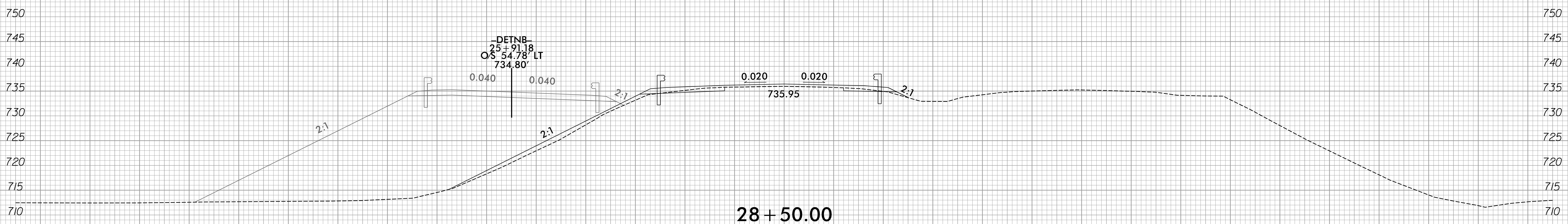
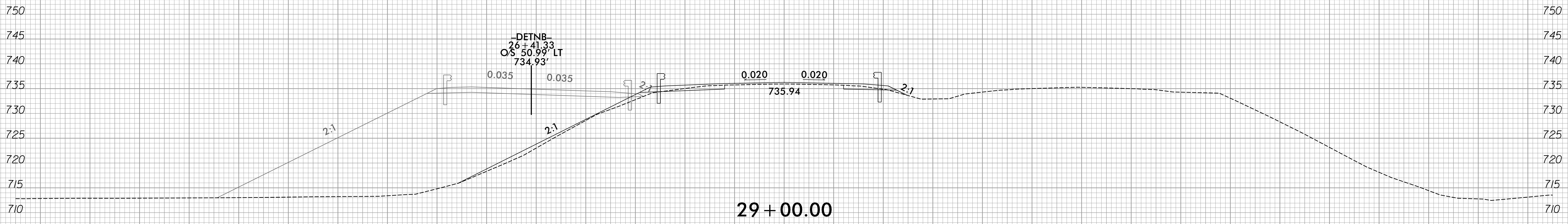
6/23/16



PROJ. REFERENCE NO.  
B-5389

SHEET NO.  
X-10

150 140 130 120 110 100 90 80 70 60 50 40 30 20 10 0 10 20 30 40 50 60 70 80 90 100 110 120 130 140 150



150 140 130 120 110 100 90 80 70 60 50 40 30 20 10 0 10 20 30 40 50 60 70 80 90 100 110 120 130 140 150

6/6/2019  
X:\Raleigh\114-783C - NCDOT Bridge Group 0 B-5389\05-CAD\B5389\Roadway\Xsc\B5389\_Rdy\_xpl\_L.dgn  
jbeuchaine