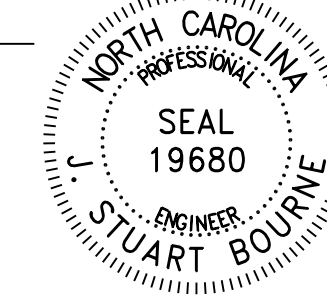



APPROVED: *J. Stuart Bourne*
DATE: 3/25/2019

SEAL



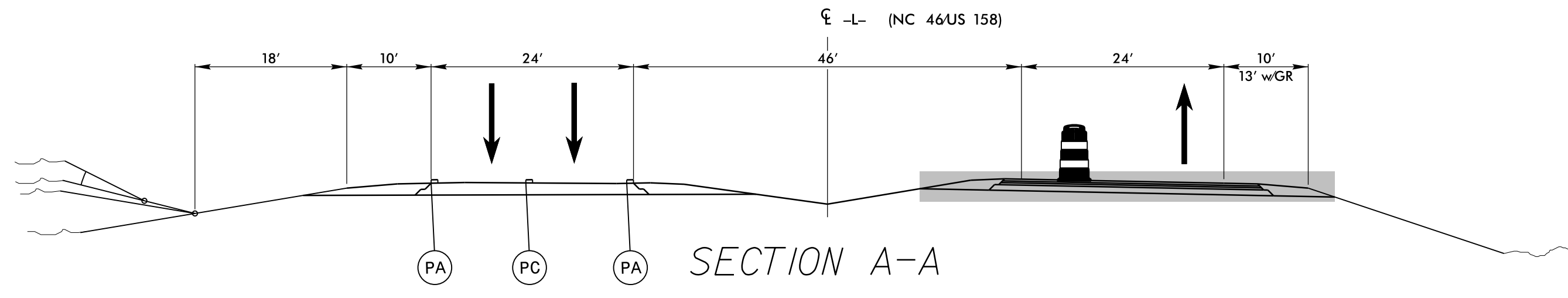
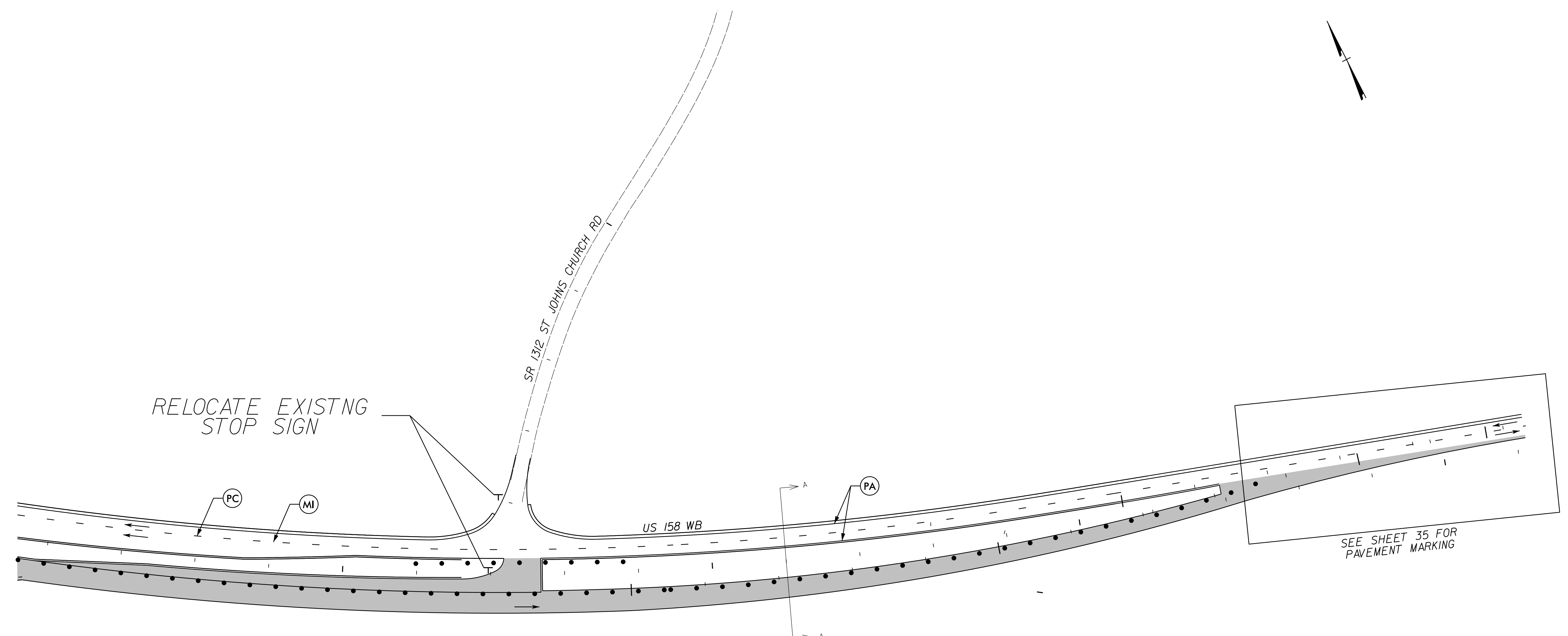
**DOCUMENT NOT CONSIDERED FINAL
UNLESS ALL SIGNATURES COMPLETED**



DIVISION OF HIGHWAYS
STATE OF NORTH CAROLINA
DEPARTMENT OF TRANSPORTATION
WORK ZONE TRAFFIC CONTROL

PHASE III

21-MAR-2019 09:56
R-2582A.TC_TMP-32.dgn
neilr@hrbaugh.com



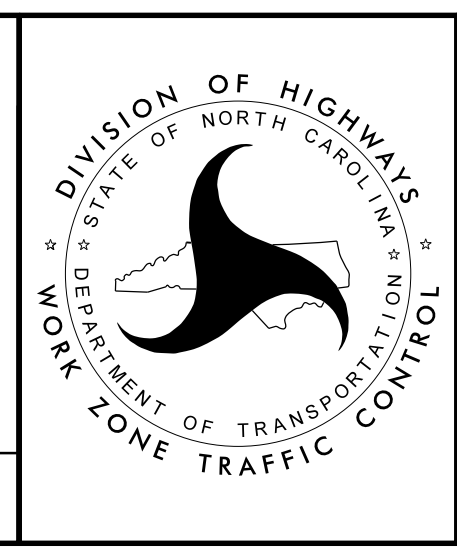
21-MAR-2019 09:56
 R-2582A.TC.TMP-33.dgn
 neilr@hrbaugh.com

APPROVED: J. Stuart Bourne
DESIGNED BY
 DATE: 3/25/2019

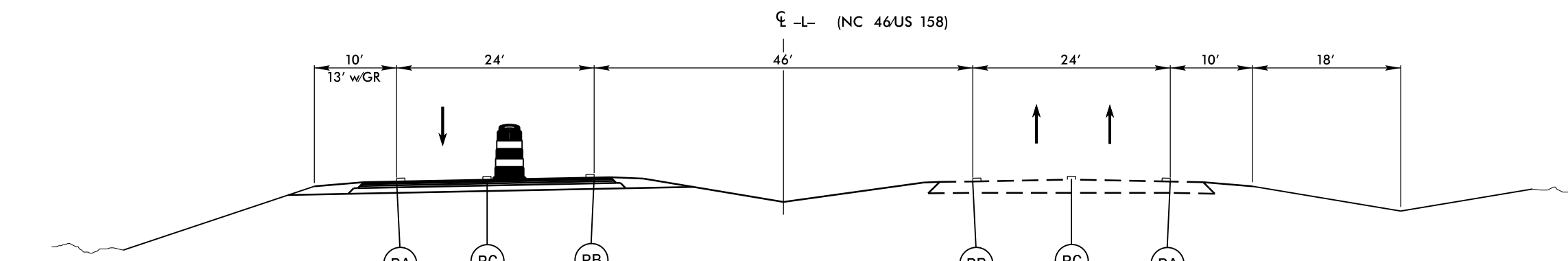
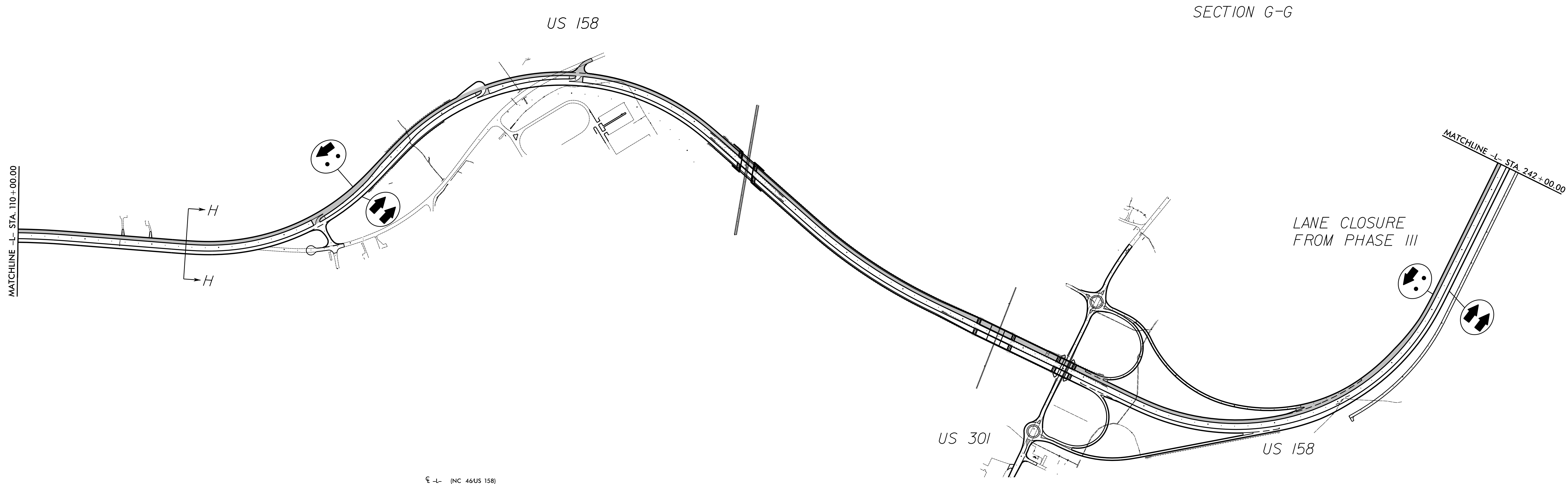
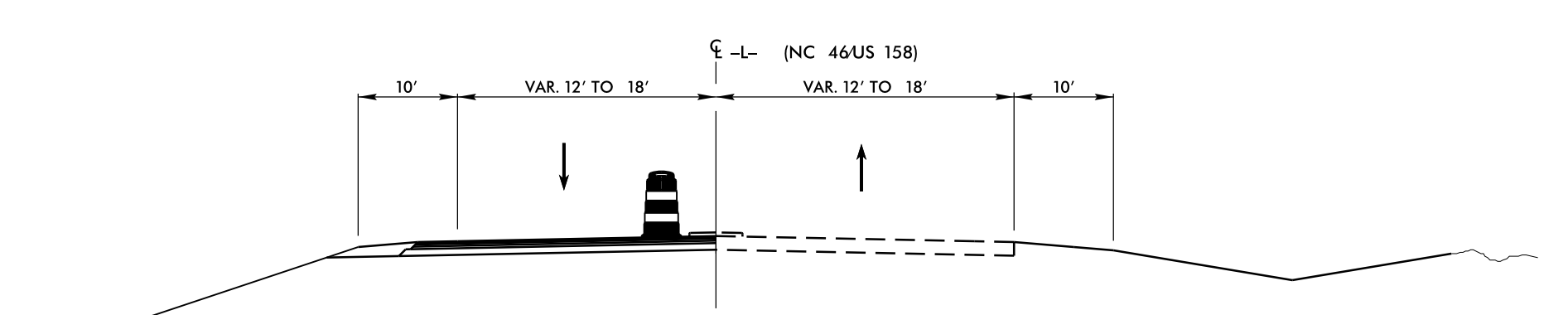
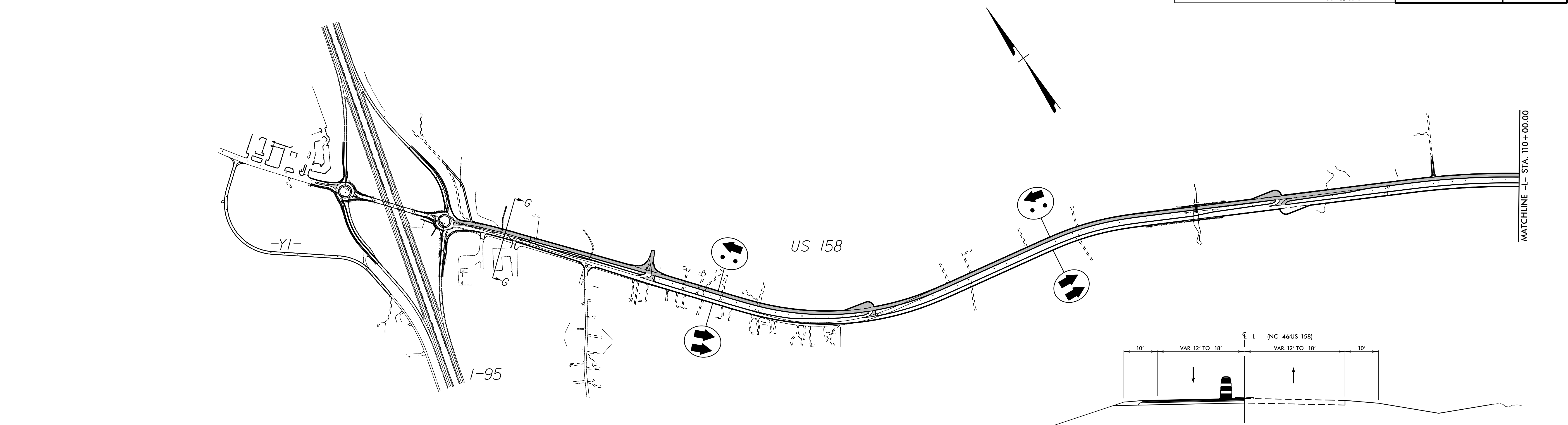
SEAL

NORTH CAROLINA
 PROFESSIONAL
 SEAL
 19680
 ENGINEER
 STUART BOURNE

**DOCUMENT NOT CONSIDERED FINAL
 UNLESS ALL SIGNATURES COMPLETED**



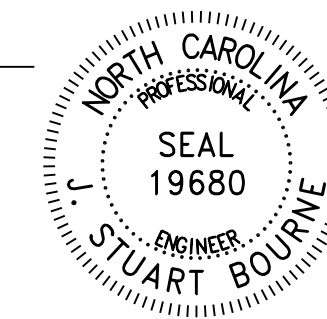
PHASE III




APPROVED: J. Stuart Bourne
28769678P1246D

DATE: 3/25/2019

SEAL



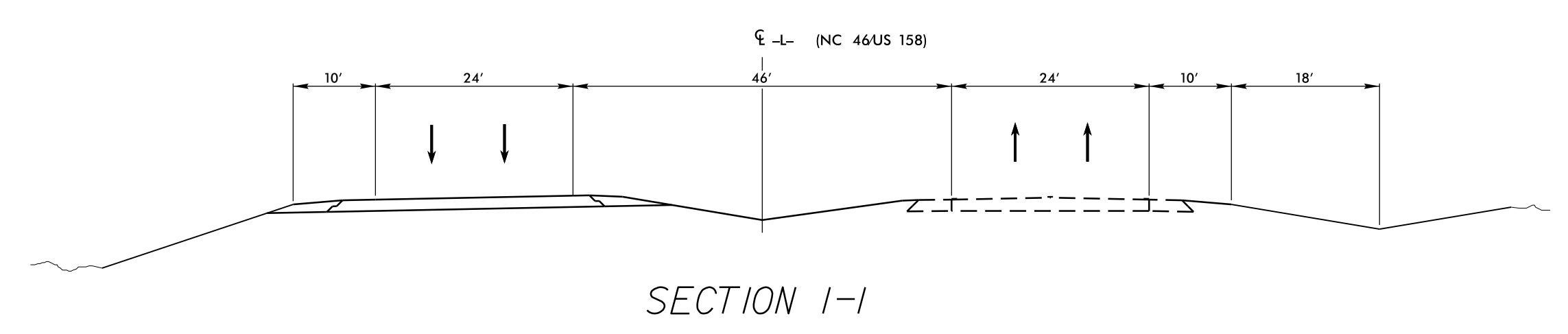
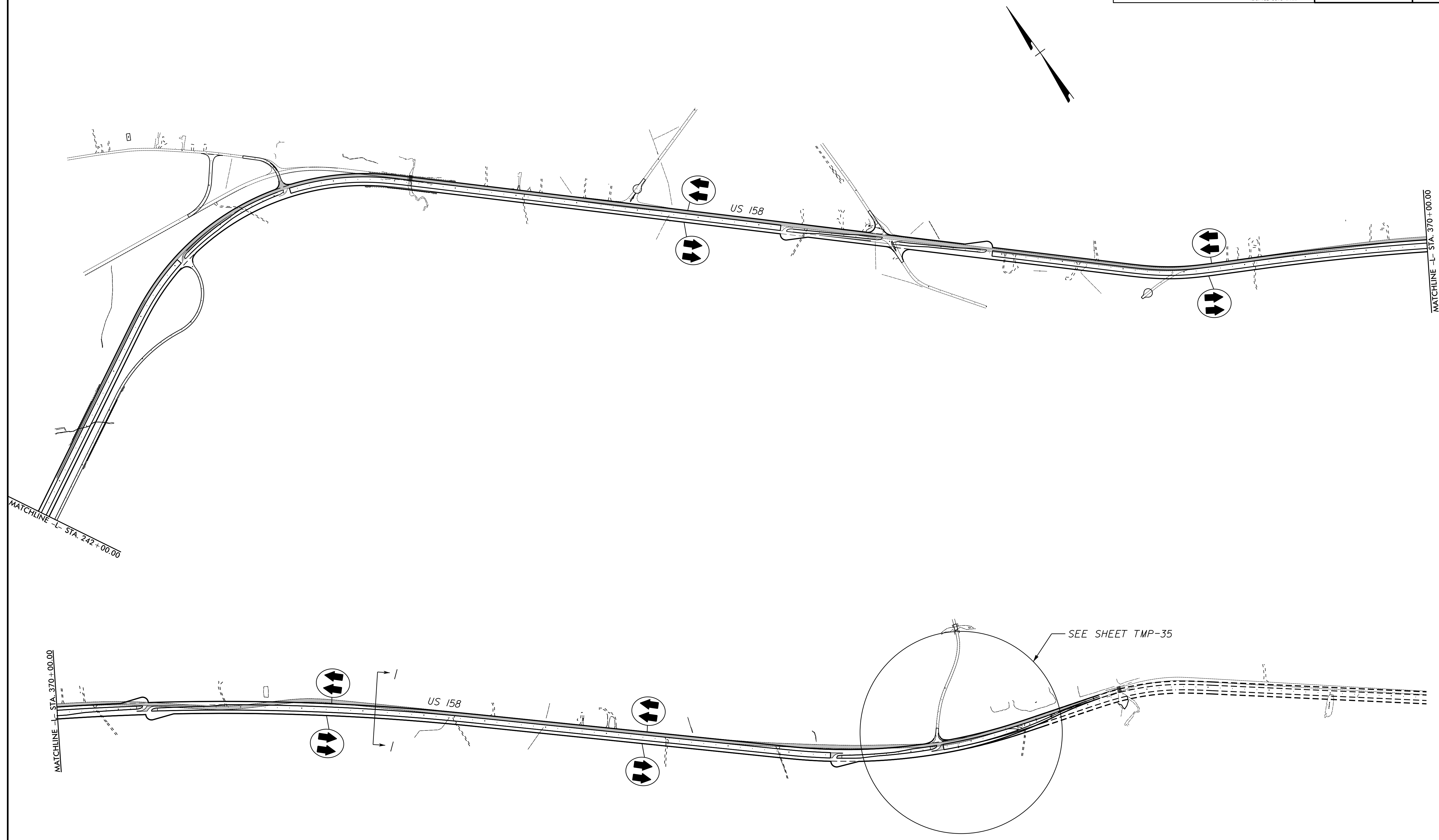
**DOCUMENT NOT CONSIDERED FINAL
UNLESS ALL SIGNATURES COMPLETED**



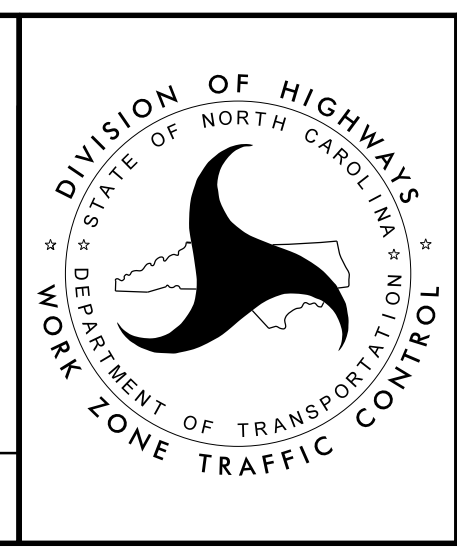
DIVISION OF HIGHWAYS
 NORTH CAROLINA
 DEPARTMENT OF TRANSPORTATION
 WORK ZONE TRAFFIC CONTROL

**PHASE IV
OVERVIEW**

21-MAR-2019 09:56
 R-2582A.TC_TMP-34.dgn
 neilr@hrbaugh

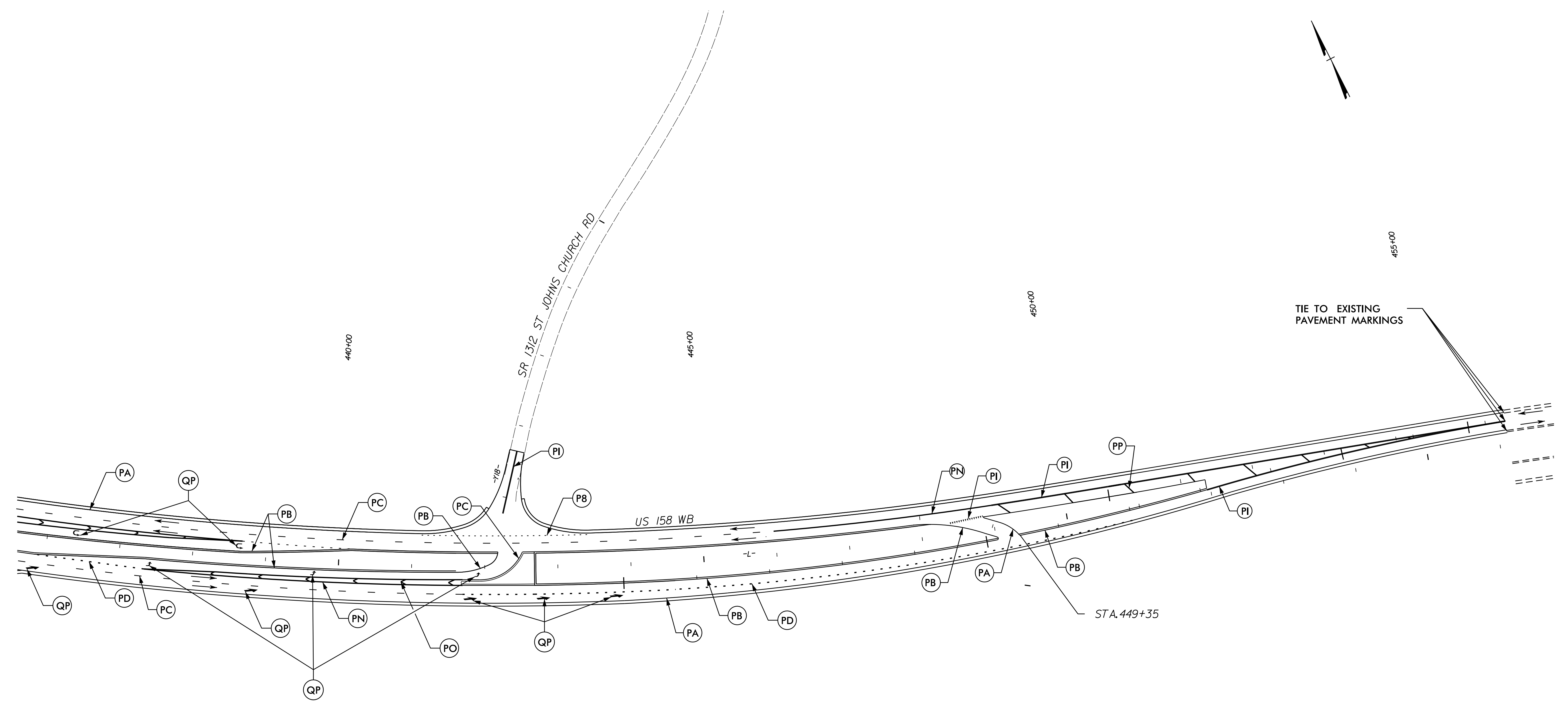


APPROVED: *J. Stuart Bourne*
 DATE: 3/25/2019
 SEAL
 NORTH CAROLINA PROFESSIONAL SEAL 19680
 ENGINEER STUART BOURNE



PHASE IV OVERVIEW

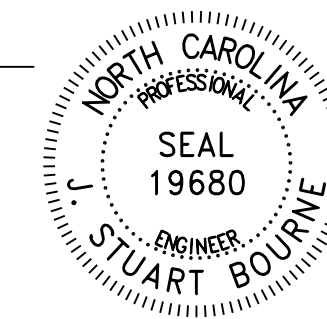
21-MAR-2019 09:57
 R-2582A.TC.TMP-34A.dgn
 neilr@hrbaugh



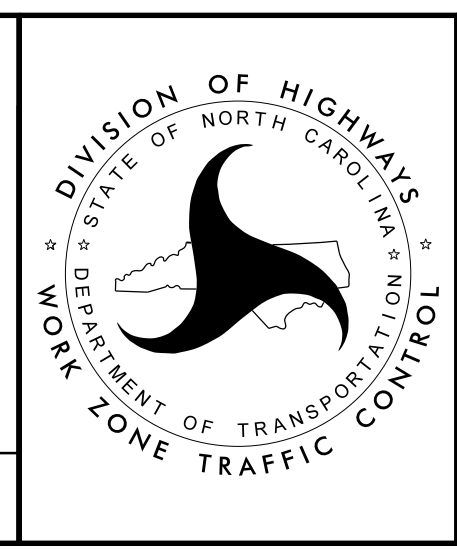
21-MAR-2019 09:57
 R-2582A.TC.TMP-35.dgn
 neilr@hrbaugh

APPROVED: J. Stuart Bourne
207856C70F1248D...
 DATE: 3/25/2019

SEAL



**DOCUMENT NOT CONSIDERED FINAL
UNLESS ALL SIGNATURES COMPLETED**



PHASE IV