


**This electronic collection of documents is provided
for the convenience of the user
and is Not a Certified Document –**

**The documents contained herein were originally issued
and sealed by the individuals whose names and license
numbers appear on each page, on the dates appearing
with their signature on that page.**

**This file or an individual page
shall not be considered a certified document.**

TIP NO. I - 4700	SHEET NO. PMP - 1
APPROVED: <u>Andrew D. Klinksiek</u> <small>DocuSigned by: Andrew D. Klinksiek E3078FB4596E44B...</small>	
DATE: 2/19/2019	
	
DOCUMENT NOT CONSIDERED FINAL UNLESS ALL SIGNATURES COMPLETED	

**STATE OF NORTH CAROLINA
DEPARTMENT OF TRANSPORTATION**

**PAVEMENT MARKING PLAN
HENDERSON /BUNCOMBE COUNTIES**

T.I.P.: I-4700

CONTRACT: C204266

INDEX

SHEET NO.	DESCRIPTION
PMP-1	PAVEMENT MARKING PLAN TITLE SHEET
PMP-1A	PAVEMENT MARKING SCHEDULE AND LEGEND
PMP-2-20	PAVEMENT MARKING DETAILS

GENERAL NOTES

THE FOLLOWING GENERAL NOTES APPLY AT ALL TIMES FOR THE DURATION OF THE CONSTRUCTION PROJECT, EXCEPT WHEN OTHERWISE NOTED IN THE PLAN, OR DIRECTED BY THE ENGINEER.

A) INSTALL PAVEMENT MARKINGS AND PAVEMENT MARKERS ON THE FINAL SURFACE AS FOLLOWS:

ROAD NAME	MARKING	MARKER
-L- I-26/US-74	POLYUREA	SNOWPLOWABLE
-Y- LINES	POLYUREA	SNOWPLOWABLE
CONCRETE BRIDGE DECKS	POLYUREA	RAISED

B) TIE PROPOSED PAVEMENT MARKING LINES TO EXISTING PAVEMENT MARKING LINES.

C) REMOVE/REPLACE ANY CONFLICTING/DAMAGED PAVEMENT MARKINGS AND MARKERS.

D) PASSING ZONES WILL BE DETERMINED IN THE FIELD AND MUST BE APPROVED BY THE ENGINEER.

E) REMOVE ALL RESIDUE AND SURFACE LAITANCE BY ACCEPTABLE METHODS ON CONCRETE BRIDGE DECKS PRIOR TO PLACING POLYUREA PAVEMENT MARKING MATERIAL.

F) UNLESS OTHERWISE SPECIFIED, HEATED-IN-PLACE THERMOPLASTIC MAY BE USED IN LIEU OF EXTRUDED THERMOPLASTIC FOR STOP BARS, SYMBOLS, CHARACTERS AND DIAGONALS. IF HEATED-IN-PLACE IS USED, IT SHALL BE PAID FOR USING THE EXTRUDED THERMOPLASTIC PAY ITEM.

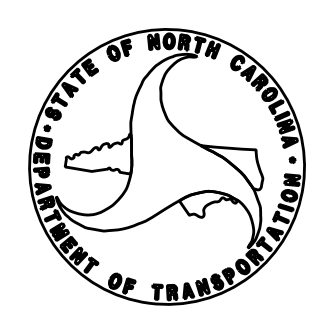
ROADWAY STANDARD DRAWING

THE FOLLOWING ROADWAY STANDARDS AS APPEAR IN "ROADWAY STANDARD DRAWINGS" - CONTRACT STANDARDS AND DEVELOPMENT UNIT - N.C. DEPARTMENT OF TRANSPORTATION - RALEIGH, N.C., DATED JANUARY 2018 ARE APPLICABLE TO THIS PROJECT AND BY REFERENCE HEREBY ARE CONSIDERED A PART OF THESE PLANS:

STD. NO.	TITLE
1205.01	PAVEMENT MARKINGS - LINE TYPES AND OFFSETS
1205.02	PAVEMENT MARKINGS - TWO-LANE AND MULTILANE ROADWAYS
1205.03	PAVEMENT MARKINGS - EXIT AND ENTRANCE RAMP
1205.04	PAVEMENT MARKINGS - INTERSECTIONS
1205.05	PAVEMENT MARKINGS - TURN LANES
1205.06	PAVEMENT MARKINGS - LANE DROPS
1205.07	PAVEMENT MARKINGS - PEDESTRIAN CROSSWALKS
1205.08	PAVEMENT MARKINGS - SYMBOLS AND WORD MESSAGES
1205.09	PAVEMENT MARKINGS - PAINTED ISLANDS
1205.12	PAVEMENT MARKINGS - BRIDGES
1205.13	PAVEMENT MARKINGS - LANE REDUCTIONS
1250.01	RAISED PAVEMENT MARKERS - INSTALLATION SPACING
1251.01	RAISED PAVEMENT MARKERS - PERMANENT AND TEMPORARY
1253.01	RAISED PAVEMENT MARKERS - SNOWPLOWABLE
1261.01	GUARDRAIL AND BARRIER DELINEATORS - INSTALLATION SPACING
1261.02	GUARDRAIL AND BARRIER DELINEATORS - TYPES AND MOUNTING
1262.01	GUARDRAIL END DELINEATION

PLANS REVIEWED BY: N.C.D.O.T. SIGNING AND DELINEATION UNIT


<u>Anna G. Henderson, PE</u>	DIVISION 13 TRAFFIC ENGINEER
<u>Steven Buchanan</u>	DIVISION 13 TRAFFIC ENGINEER
<u>Scott M. Collier, PE</u>	REGIONAL TRAFFIC SAFETY ENGINEER
<u>Kelvin Jordan</u>	WESTERN SIGNING AND DELINEATION ENGINEER, DIVISIONS 7, 09-14



PLAN PREPARED BY: HNTB NORTH CAROLINA, P.C.

<u>A.D. Klinksiek, PE, PTOE</u>	PROJECT ENGINEER
<u>Jenifer Phillips</u>	DESIGN TECHNICIAN

HNTB HNTB NORTH CAROLINA, P.C.
343 E. Six Forks Road, Suite 200
Raleigh, North Carolina 27609
NC License No: C-1554
(919) 546-8997

TIP NO. I - 4700	SHEET NO. PMP - 1A
APPROVED: <u>Andrew D. Klinck</u> <small>E3078FB4596E44B</small>	
DATE: 4/12/2019	
	

FINAL PAVEMENT MARKING SCHEDULE

MATERIAL	SYMBOL	DESCRIPTION
PAVEMENT MARKING		
<u>POLYUREA (4", 20 MILS)</u>		
	V8	2 FT. -6 FT./SP WHITE MINISKIP
	VA	WHITE EDGELINE
	VC	10 FT. WHITE SKIP
	VD	3 FT. -9 FT./SP WHITE MINISKIP
	VE	WHITE SOLID LANE LINE
	VI	YELLOW DOUBLE CENTER
<u>POLYUREA (6", 20 MILS)</u>		
	V6	WHITE EDGELINE
	V7	YELLOW EDGELINE
	V11	2 FT. -6 FT./SP WHITE MINISKIP
	VJ	10 FT. WHITE SKIP
	VK	3 FT. -9 FT./SP WHITE MINISKIP
	VL	WHITE SOLID LANE LINE
<u>POLYUREA (8", 20 MILS)</u>		
	VN	WHITE GORELINE
<u>POLYUREA (12", 20 MILS)</u>		
	VS	WHITE GORELINE
	VT	WHITE SOLID LANE LINE
	V14	3 FT. -9 FT./SP WHITE MINISKIP
<u>THERMOPLASTIC (8", 90 MILS)</u>		
	TQ	WHITE CROSSWALK LINE
<u>THERMOPLASTIC (12", 90 MILS)</u>		
	TU	WHITE DIAGONAL
<u>THERMOPLASTIC (24", 90 MILS)</u>		
	T2	WHITE STOPBAR
<u>THERMOPLASTIC PAVEMENT MARKING SYMBOLS (90 MILS)</u>		
	UA	LEFT TURN ARROW
	UB	RIGHT TURN ARROW
	UC	STRAIGHT ARROW
	UF	COMBO LEFT/RIGHT
	UP	MERGE ARROW
	UQ	RAMP ARROW
<u>THERMOPLASTIC PAVEMENT MARKING CHARACTER (90 MILS)</u>		
	UI	ALPHANUMERIC CHAR.
<u>RAISED PAVEMENT MARKERS (NOT SHOWN)</u>		
	MB	CRYSTAL & RED
<u>SNOWPLOWABLE PAVEMENT MARKERS (NOT SHOWN)</u>		
	ME	YELLOW & YELLOW
	MF	CRYSTAL & RED

LEGEND

- GENERAL**
- DIRECTION OF TRAFFIC FLOW
 - NORTH ARROW
 - PROPOSED PVMT. EXIST. PVMT.

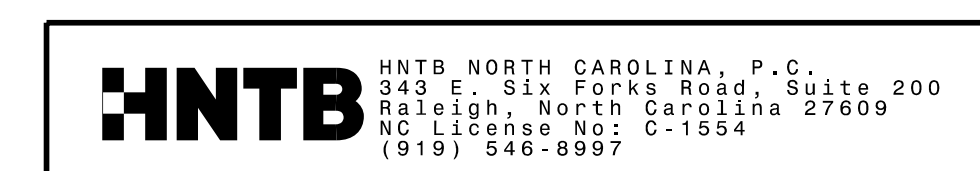
PAVEMENT MARKINGS

- PAVEMENT MARKING SYMBOLS
- ONLY PAVEMENT MARKING CHARACTERS


PAVEMENT MARKING SYMBOLS

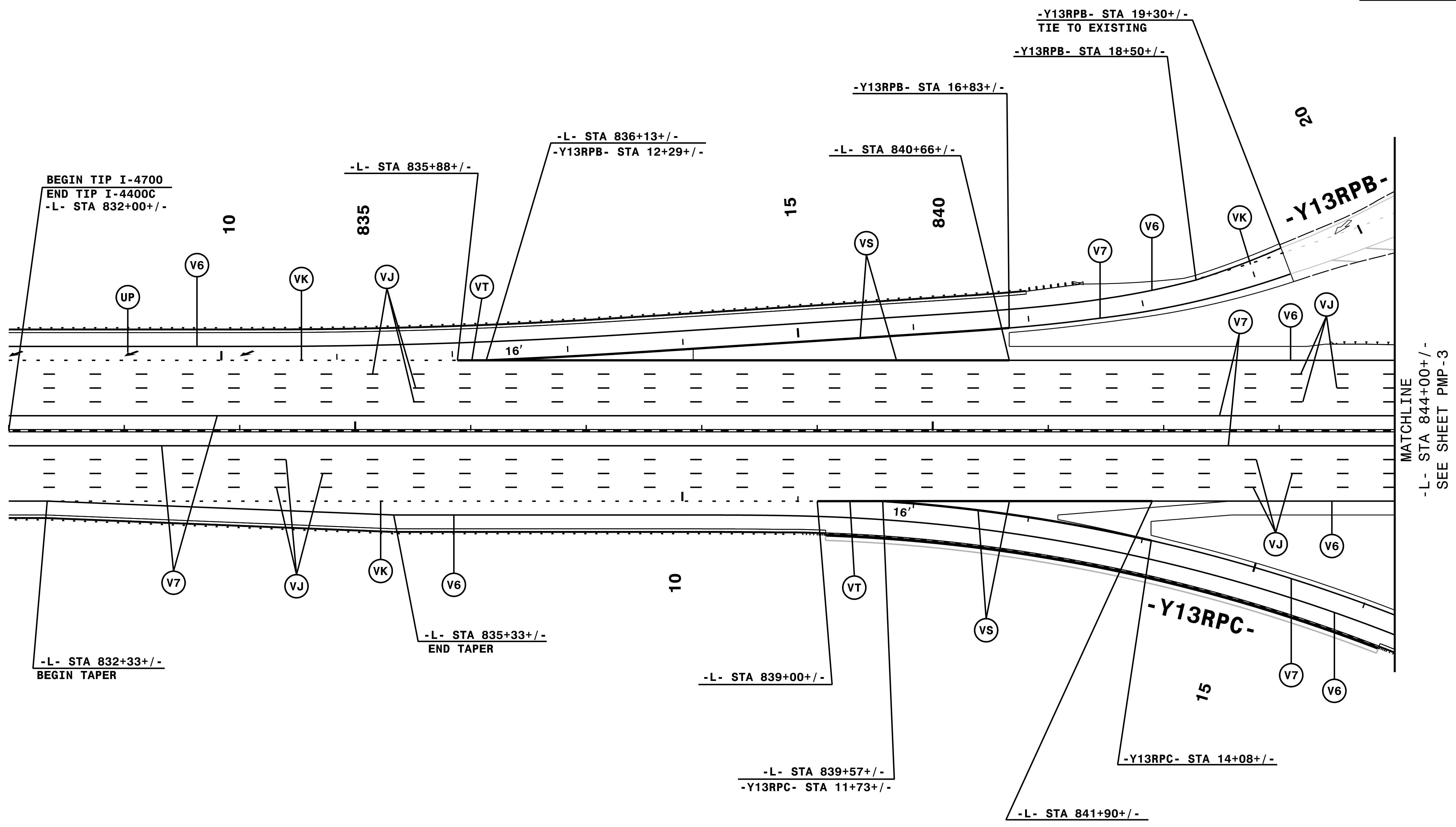
	UA	ONLY	UI
	UB		UP
	UC		UQ
	UF		

4/12/2019 10:40:00 AM C:\ADD\4700A_PMP_pmp_01-01A.dgn HNTB



PAVEMENT MARKING SCHEDULE AND LEGEND

TIP NO. I-4700	SHEET NO. PMP-2
APPROVED: <i>Andrew D. Klinck</i> E3078FB459E44B	
DATE: 1/28/2019	
SEAL	
	
DOCUMENT NOT CONSIDERED FINAL UNLESS ALL SIGNATURES COMPLETED	




MATCHLINE
-L- STA 844+00+/-
SEE SHEET PMP-3

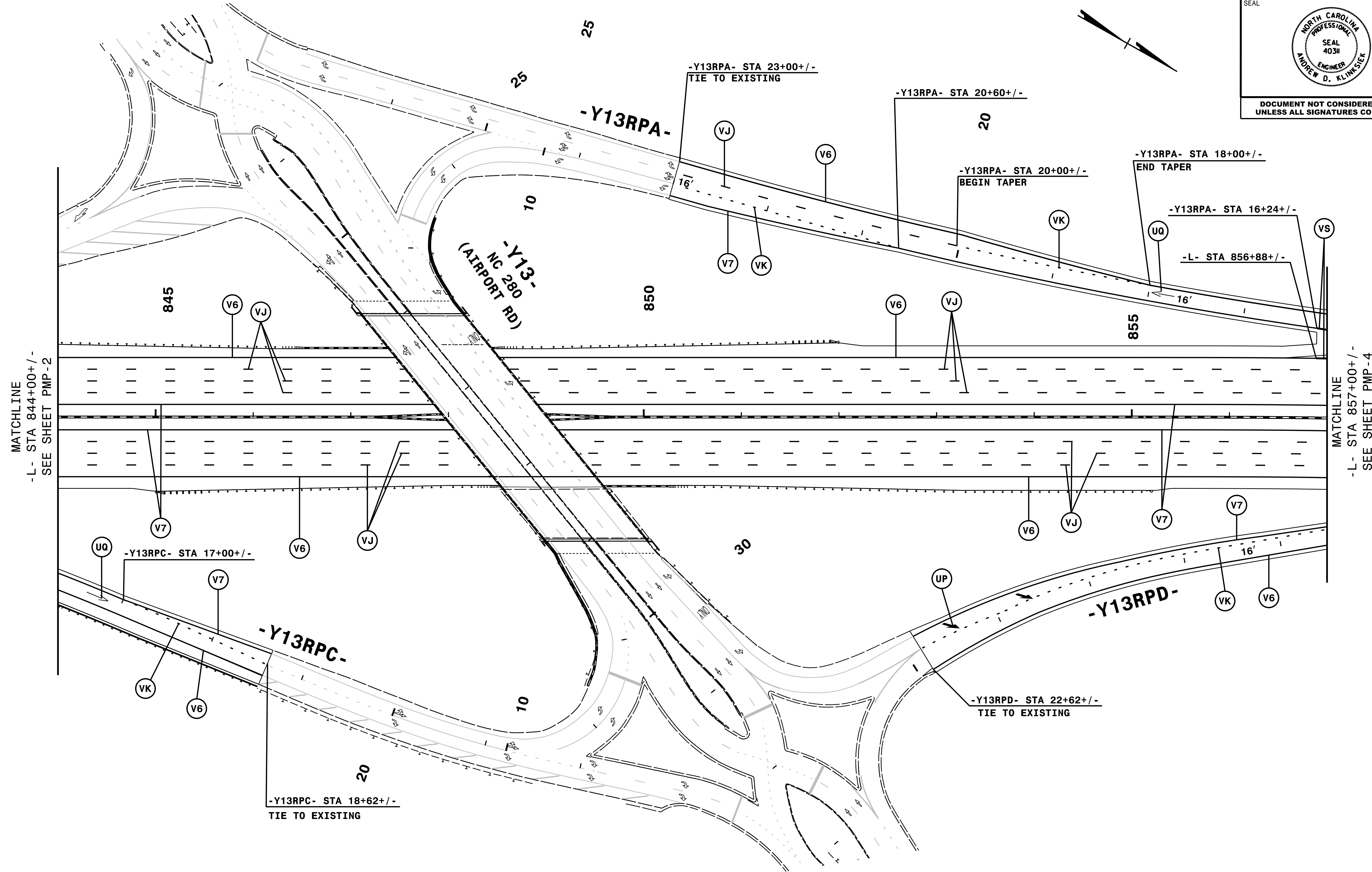
NOTE: ALL LANE WIDTHS ARE 12' UNLESS OTHERWISE SHOWN.

1/28/2019
X:\PMP\CADD\I4700A_PMP_PMP02.dgn
HNTB

HNTB
 HNTB NORTH CAROLINA, P.C.
 343 E. SIX FORKS ROAD, SUITE 200
 RALEIGH, NORTH CAROLINA 27609
 NC LICENSE NO: C-1554
 (919) 546-8997

PAVEMENT MARKING DETAIL

TIP NO. I-4700	SHEET NO. PMP-3
APPROVED: <i>Andrew D. Klincksiek</i> E3078FB459E44B	
DATE: 1/28/2019	
SEAL	
	
DOCUMENT NOT CONSIDERED FINAL UNLESS ALL SIGNATURES COMPLETED	




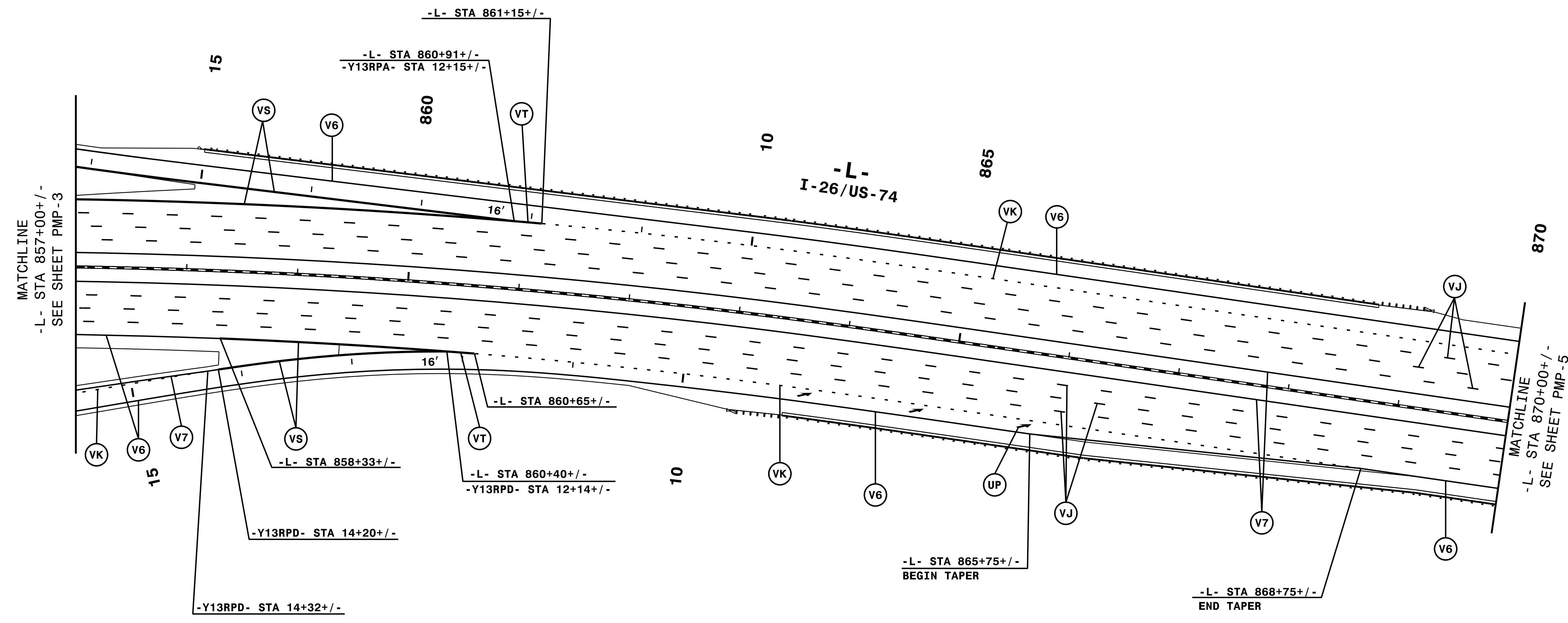
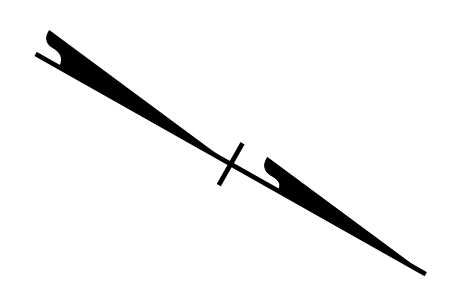
NOTE: ALL LANE WIDTHS ARE 12' UNLESS OTHERWISE SHOWN.

HNTB
 HNTB NORTH CAROLINA, P.C.
 343 E. Six Forks Road, Suite 200
 Raleigh, North Carolina 27609
 NC License No: C-1554
 (919) 546-8997

PAVEMENT MARKING DETAIL

1/28/2019
 \\PMP\CADD\4700A_PMP_PMP03.dgn
 HNTB

TIP NO. I-4700	SHEET NO. PMP-4
APPROVED: <i>Andrew D. Klinck</i> E3078FB459E44B	
DATE: 1/28/2019	
SEAL	
	
DOCUMENT NOT CONSIDERED FINAL UNLESS ALL SIGNATURES COMPLETED	




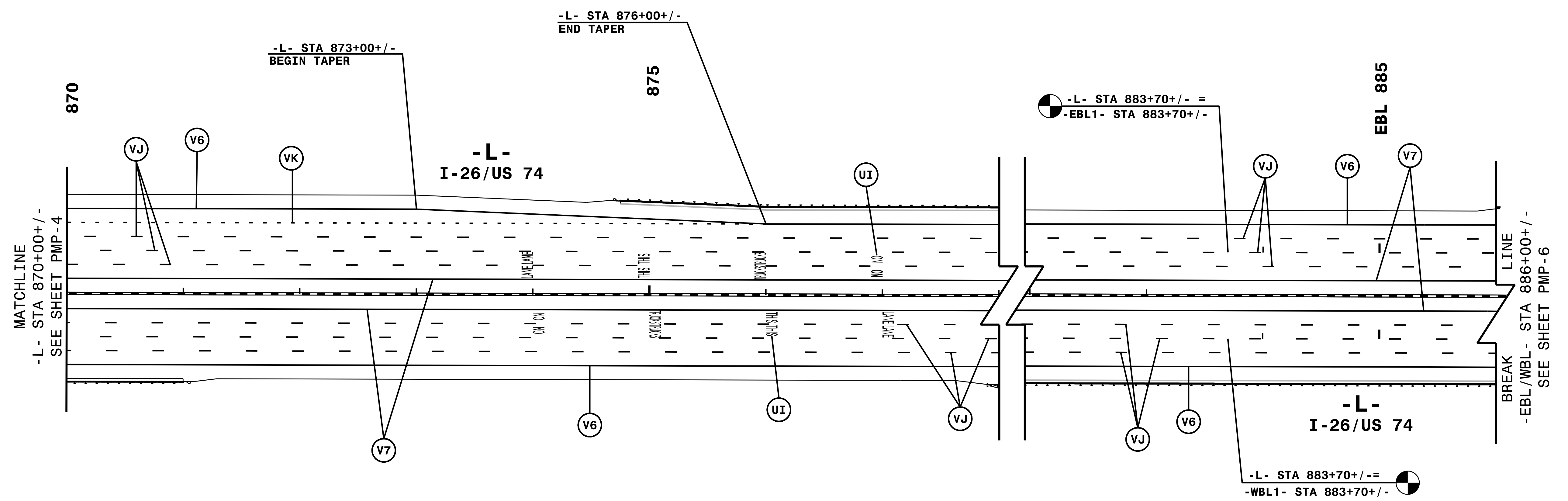
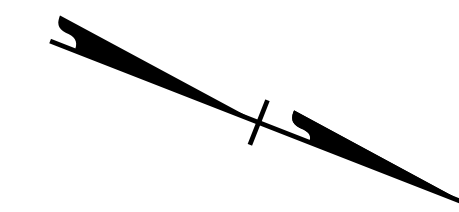
NOTE: ALL LANE WIDTHS ARE 12' UNLESS OTHERWISE SHOWN.

1/28/2019
X:\PMP\CADD\I4700A_PMP_PMP04.dgn
HNTB

HNTB
 HNTB NORTH CAROLINA, P.C.
 343 E. SIX FORKS ROAD, SUITE 200
 RALEIGH, NORTH CAROLINA 27609
 NC License No: C-1554
 (919) 546-8997

PAVEMENT MARKING DETAIL

TIP NO. I-4700	SHEET NO. PMP-5
APPROVED: <i>Andrew D. Klinck</i> -E3D78FB459E44B-	
DATE: 1/28/2019	
SEAL	
	
DOCUMENT NOT CONSIDERED FINAL UNLESS ALL SIGNATURES COMPLETED	




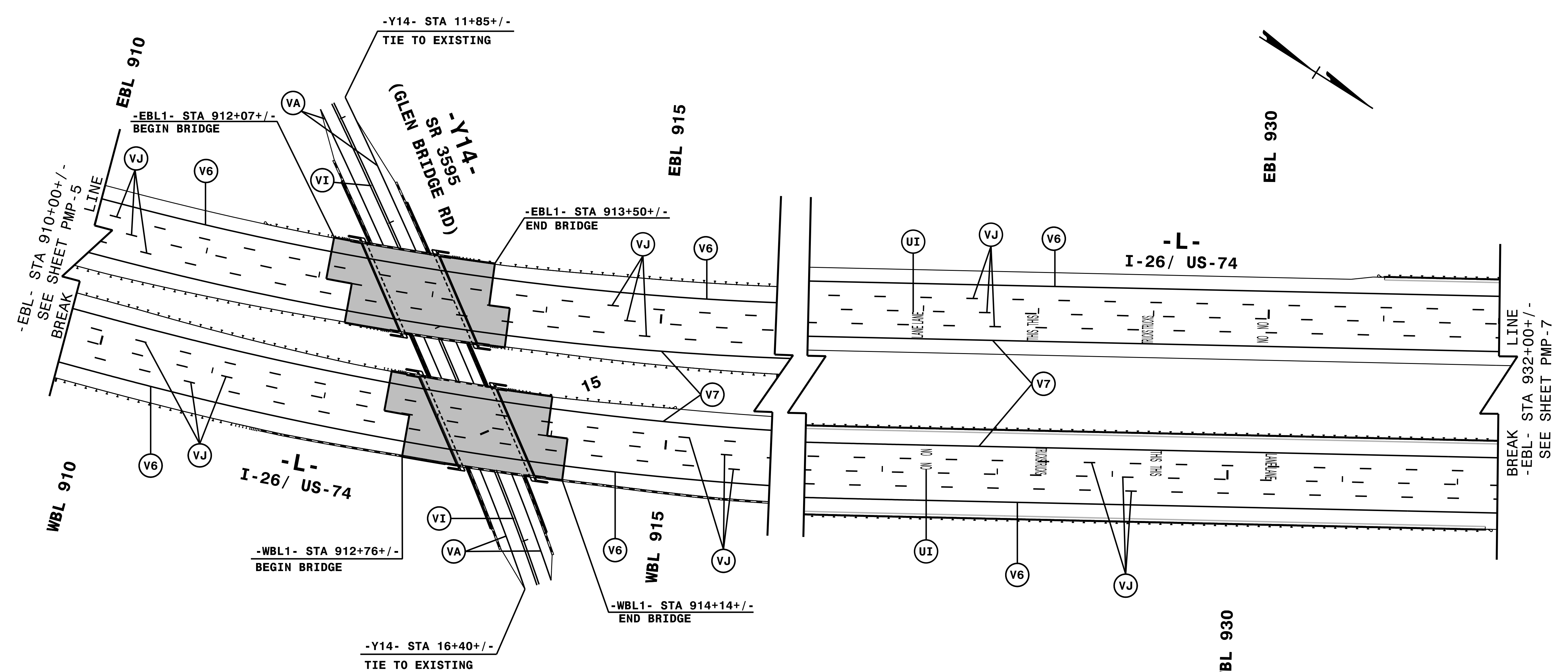
NOTE: ALL LANE WIDTHS ARE 12' UNLESS OTHERWISE SHOWN.

1/28/2019
X:\PMP\CADD\I4700A_PMP_PMP05.dgn
HNTB

HNTB
 HNTB NORTH CAROLINA, P.C.
 343 E. Six Forks Road, Suite 200
 Raleigh, North Carolina 27609
 NC License No: C-1554
 (919) 546-8997

PAVEMENT MARKING DETAIL

TIP NO. I-4700	SHEET NO. PMP-6
APPROVED: <i>Andrew D. Klinck</i> E3078FB459E44B	
DATE: 1/28/2019	
	
DOCUMENT NOT CONSIDERED FINAL UNLESS ALL SIGNATURES COMPLETED	




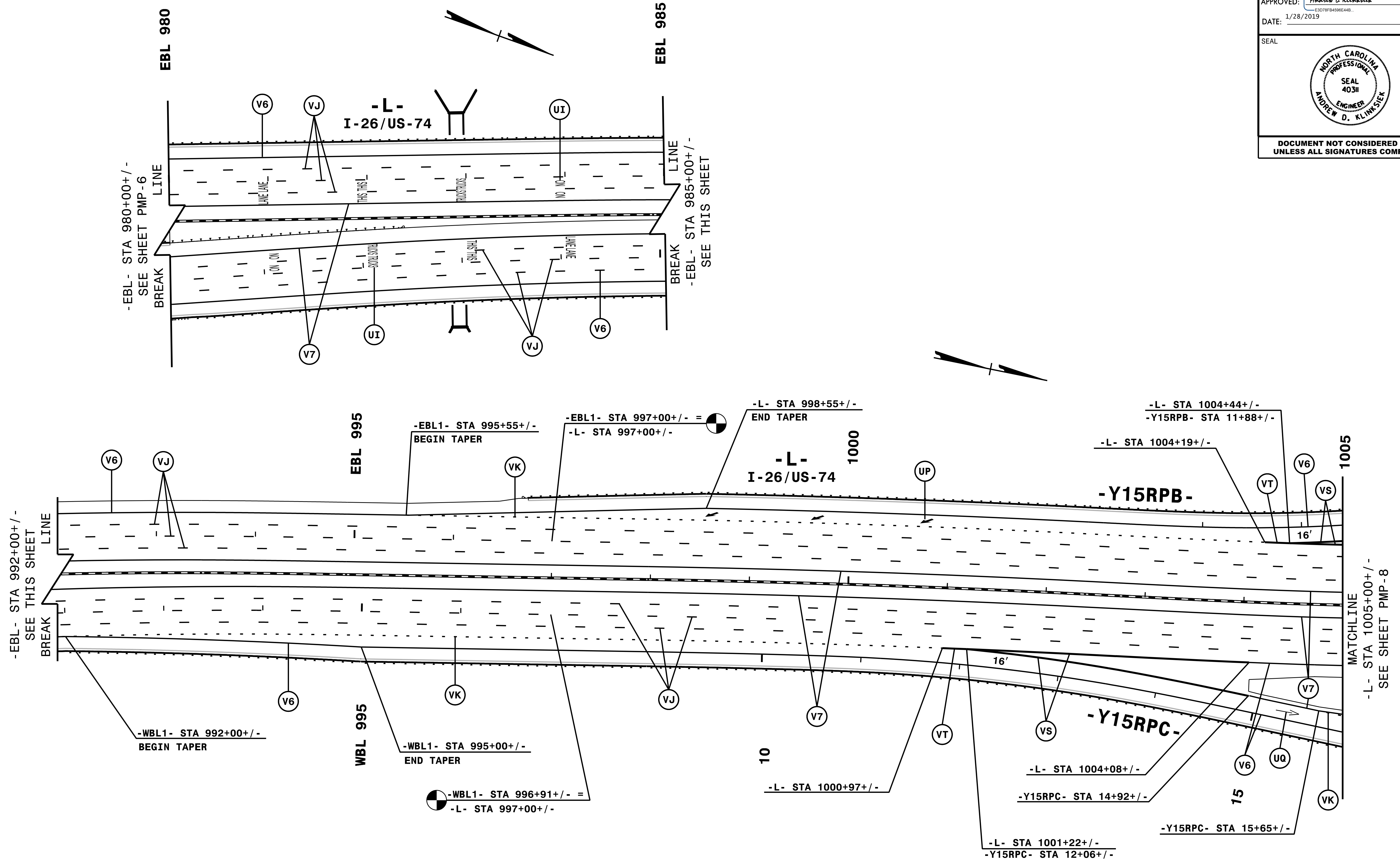
NOTE: ALL LANE WIDTHS ARE 12' UNLESS OTHERWISE SHOWN.

1/28/2019
X:\PMP\CADD\I4700A_PMP_PMP06.dgn
HNTB

HNTB HNTB NORTH CAROLINA, P.C.
343 E. SIX FORKS ROAD, SUITE 200
RALEIGH, NORTH CAROLINA 27609
NC LICENSE NO: C-1554
(919) 546-8997

PAVEMENT MARKING DETAIL

TIP NO. I-4700	SHEET NO. PMP-7
APPROVED: <i>Andrew D. Klinck</i> E-3078FB459E44B	
DATE: 1/28/2019	
	
DOCUMENT NOT CONSIDERED FINAL UNLESS ALL SIGNATURES COMPLETED	

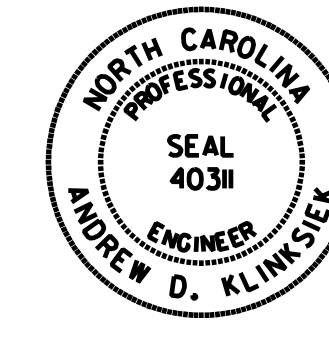


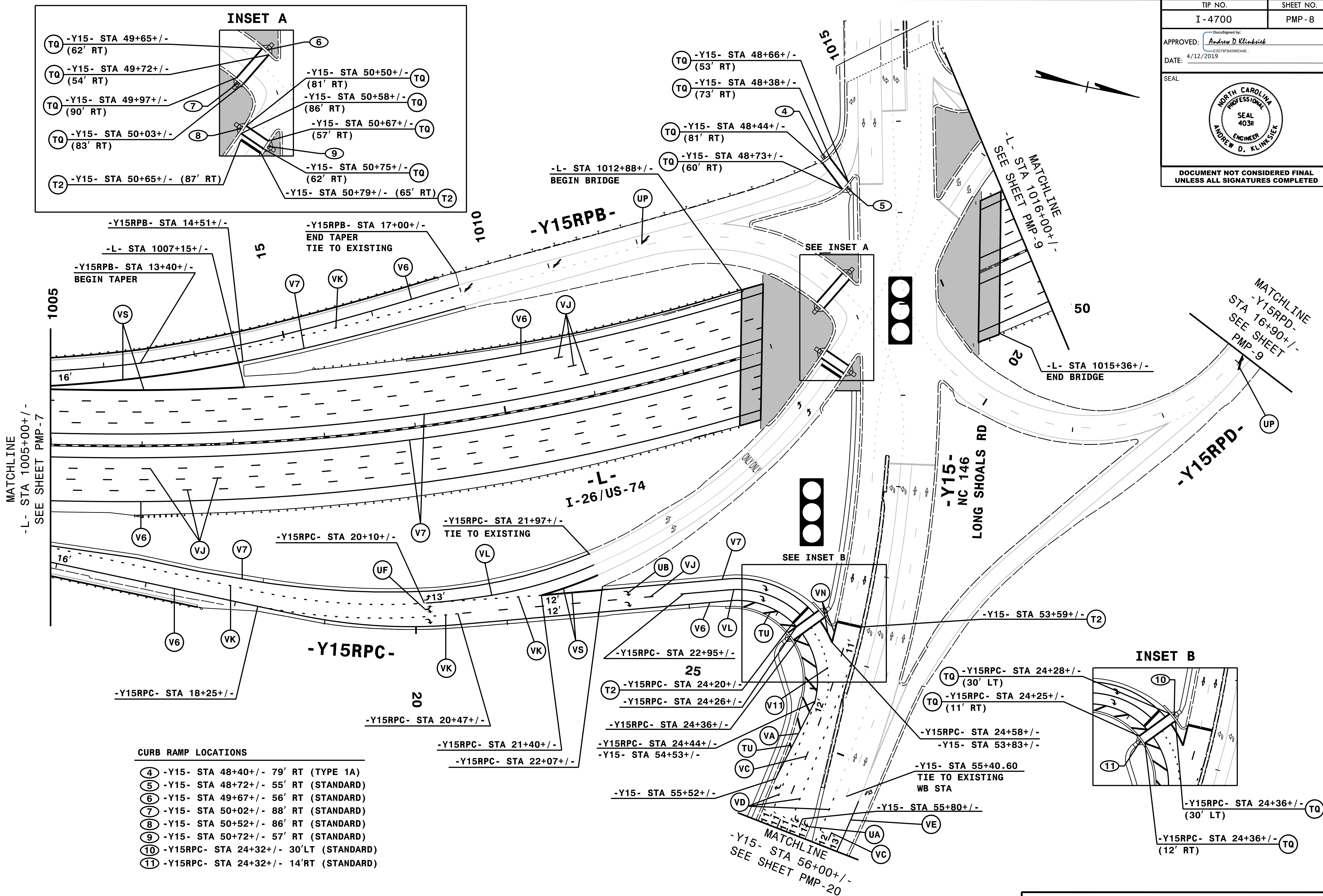
NOTE: ALL LANE WIDTHS ARE 12' UNLESS OTHERWISE SHOWN.

HNTB
 HNTB NORTH CAROLINA, P.C.
 343 E. Six Forks Road, Suite 200
 Raleigh, North Carolina 27609
 NC License No: C-1554
 (919) 546-8997

PAVEMENT MARKING DETAIL

1/28/2019
X:\PMP\CADD\I4700A_PMP_PMP07.dgn
HNTB

TIP NO. I-4700	SHEET NO. PMP-8
APPROVED: <i>Andrew D. Klincksiek</i> DATE: 4/12/2019	
SEAL 	
DOCUMENT NOT CONSIDERED FINAL UNLESS ALL SIGNATURES COMPLETED	




- CURB RAMP LOCATIONS**
- ④ -Y15- STA 48+40+/- 79' RT (TYPE 1A)
 - ⑤ -Y15- STA 48+72+/- 55' RT (STANDARD)
 - ⑥ -Y15- STA 49+67+/- 56' RT (STANDARD)
 - ⑦ -Y15- STA 50+02+/- 88' RT (STANDARD)
 - ⑧ -Y15- STA 50+52+/- 86' RT (STANDARD)
 - ⑨ -Y15- STA 50+72+/- 57' RT (STANDARD)
 - ⑩ -Y15RPC- STA 24+32+/- 30'LT (STANDARD)
 - ⑪ -Y15RPC- STA 24+32+/- 14'RT (STANDARD)

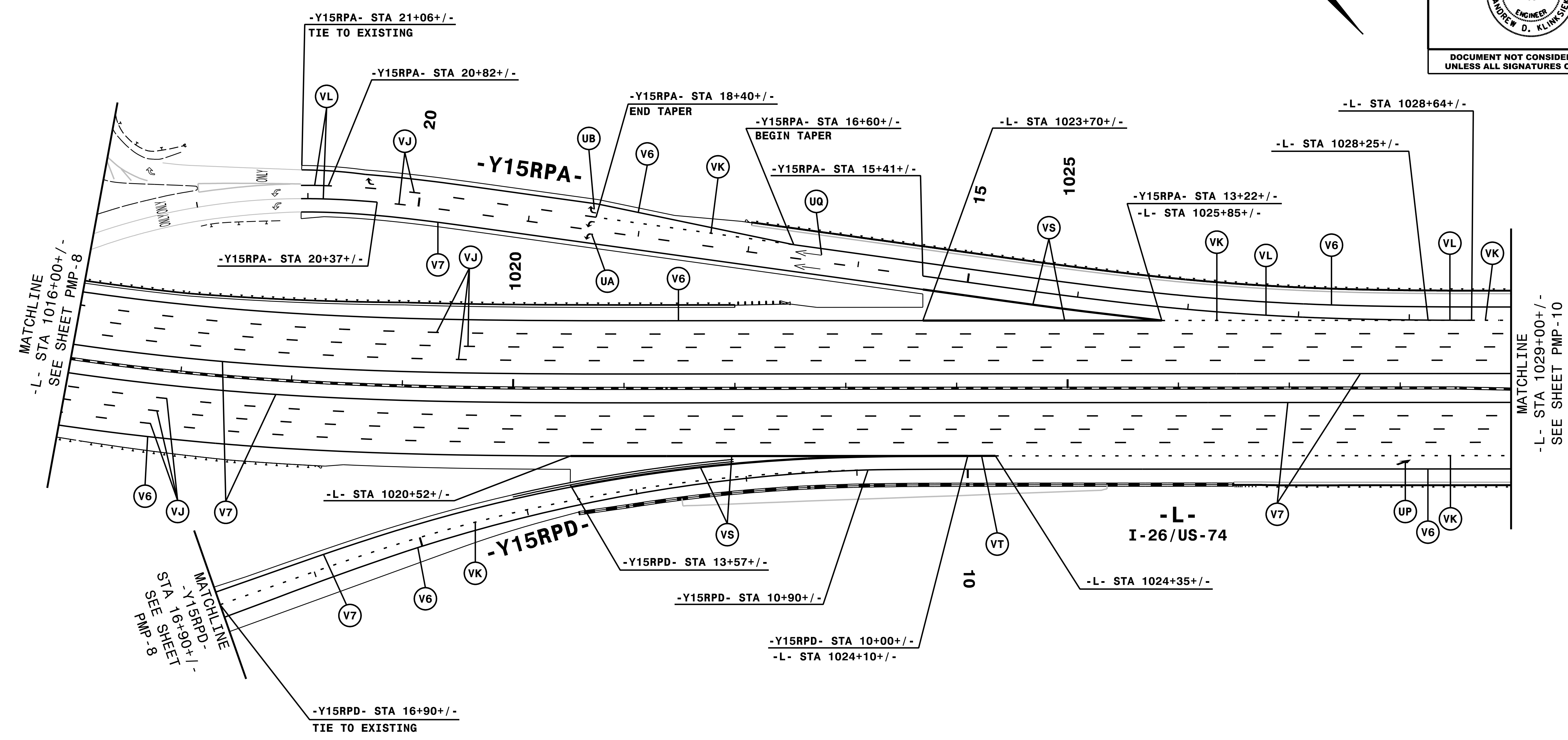
NOTE: ALL LANE WIDTHS ARE 12' UNLESS OTHERWISE SHOWN.

4/12/2019 4:\PMP\CADD\I4700A_PMP_PMP08.dgn HNTB

HNTB
HNTB NORTH CAROLINA, P.C.
 343 E. Six Forks Road, Suite 200
 Raleigh, North Carolina 27609
 NC License No: C-1554
 (919) 546-8997

PAVEMENT MARKING DETAIL

TIP NO. I - 4700	SHEET NO. PMP - 9
APPROVED: <i>Andrew D. Klincksiek</i> <small>ES078FB459644B</small>	
DATE: 1/28/2019	
SEAL	
	
DOCUMENT NOT CONSIDERED FINAL UNLESS ALL SIGNATURES COMPLETED	




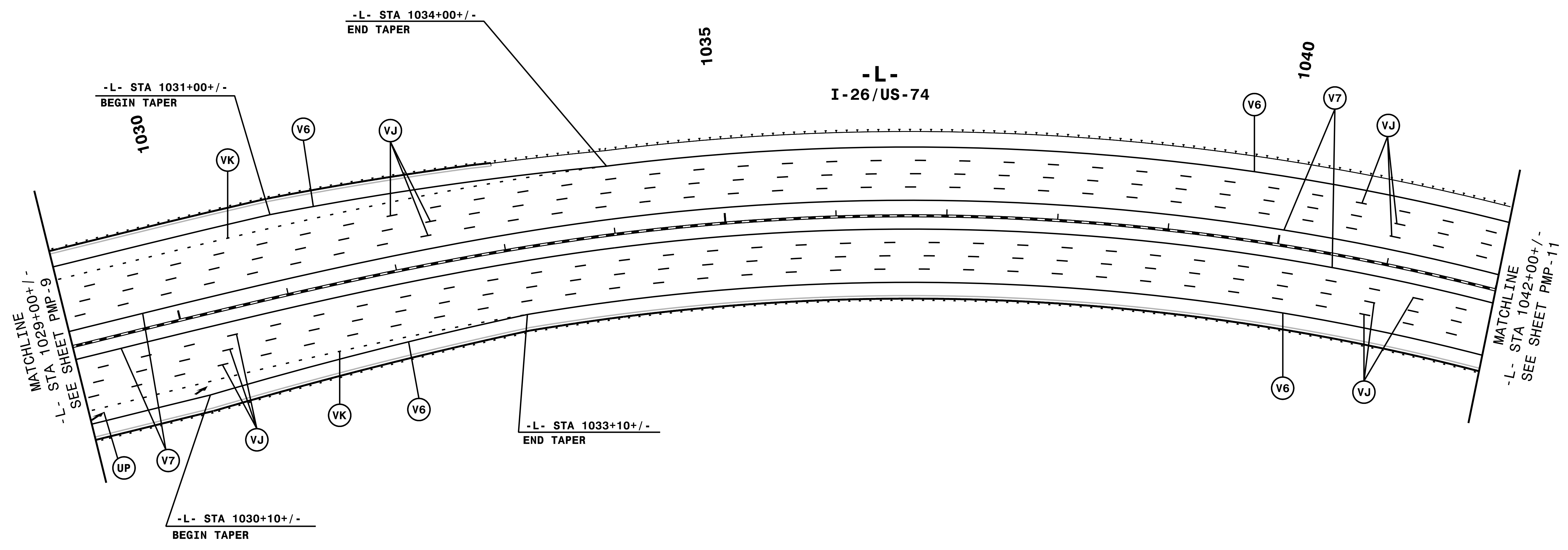
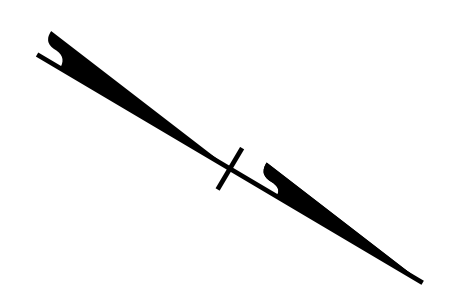
NOTE: ALL LANE WIDTHS ARE 12' UNLESS OTHERWISE SHOWN.

HNTB HNTB NORTH CAROLINA, P.C.
343 E. SIX FORKS ROAD, SUITE 200
RALEIGH, NORTH CAROLINA 27609
NC LICENSE NO: C-1554
(919) 546-8997

PAVEMENT MARKING DETAIL

1/28/2019
X:\PMP\CADD\I4700A_PMP_PMP09.dgn
HNTB

TIP NO. I-4700	SHEET NO. PMP-10
APPROVED: <i>Andrew D. Klincksiek</i> <small>ESD78FB459E44B</small>	
DATE: 1/28/2019	
	
DOCUMENT NOT CONSIDERED FINAL UNLESS ALL SIGNATURES COMPLETED	




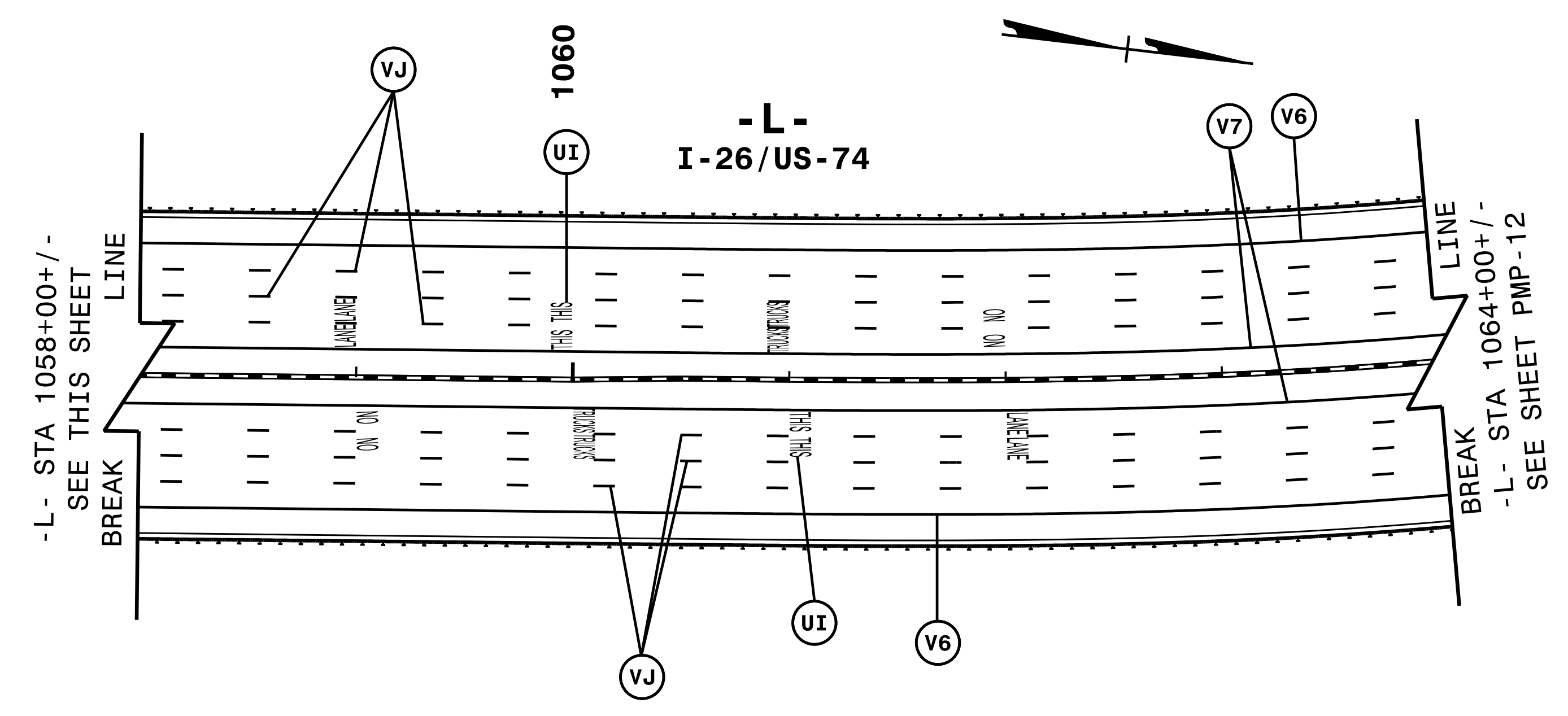
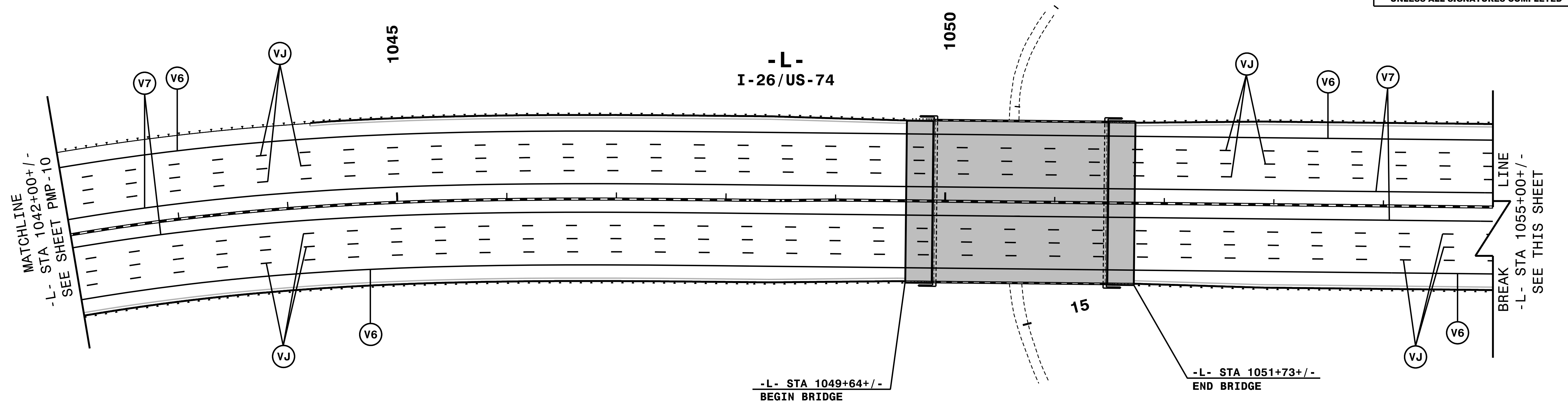
NOTE: ALL LANE WIDTHS ARE 12' UNLESS OTHERWISE SHOWN.

1/28/2019
X:\PMP\CADD\I4700A_PMP_PMP10.dgn
HNTB

HNTB
 HNTB NORTH CAROLINA, P.C.
 343 E. SIX FORKS ROAD, SUITE 200
 RALEIGH, NORTH CAROLINA 27609
 NC LICENSE NO: C-1554
 (919) 546-8997

PAVEMENT MARKING DETAIL

TIP NO. I - 4700	SHEET NO. PMP - 11
APPROVED: <i>Andrew D. Klincksiek</i> E-3078FB459E44B	
DATE: 1/28/2019	
	
DOCUMENT NOT CONSIDERED FINAL UNLESS ALL SIGNATURES COMPLETED	




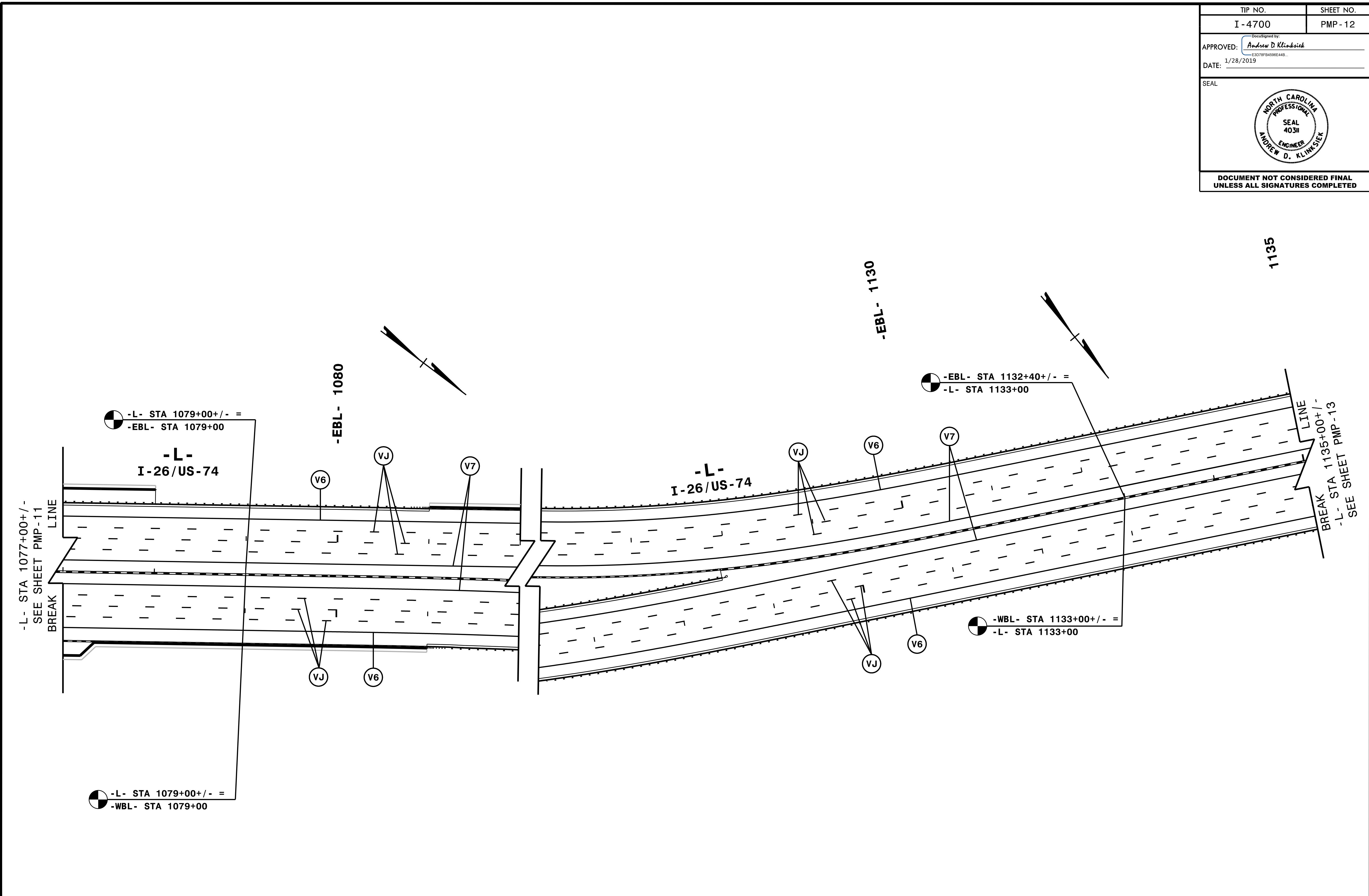
NOTE: ALL LANE WIDTHS ARE 12' UNLESS OTHERWISE SHOWN.

1/28/2019
I:\PMP\CADD\14700A_PMP_PMP11.dgn
HNTB

HNTB
 HNTB NORTH CAROLINA, P.C.
 343 E. SIX FORKS ROAD, SUITE 200
 RALEIGH, NORTH CAROLINA 27609
 NC LICENSE NO: C-1554
 (919) 546-8997

PAVEMENT MARKING DETAIL

TIP NO. I-4700	SHEET NO. PMP-12
APPROVED: <i>Andrew D. Klincksiek</i> E-3078FB4596E44B	
DATE: 1/28/2019	
SEAL	
	
DOCUMENT NOT CONSIDERED FINAL UNLESS ALL SIGNATURES COMPLETED	




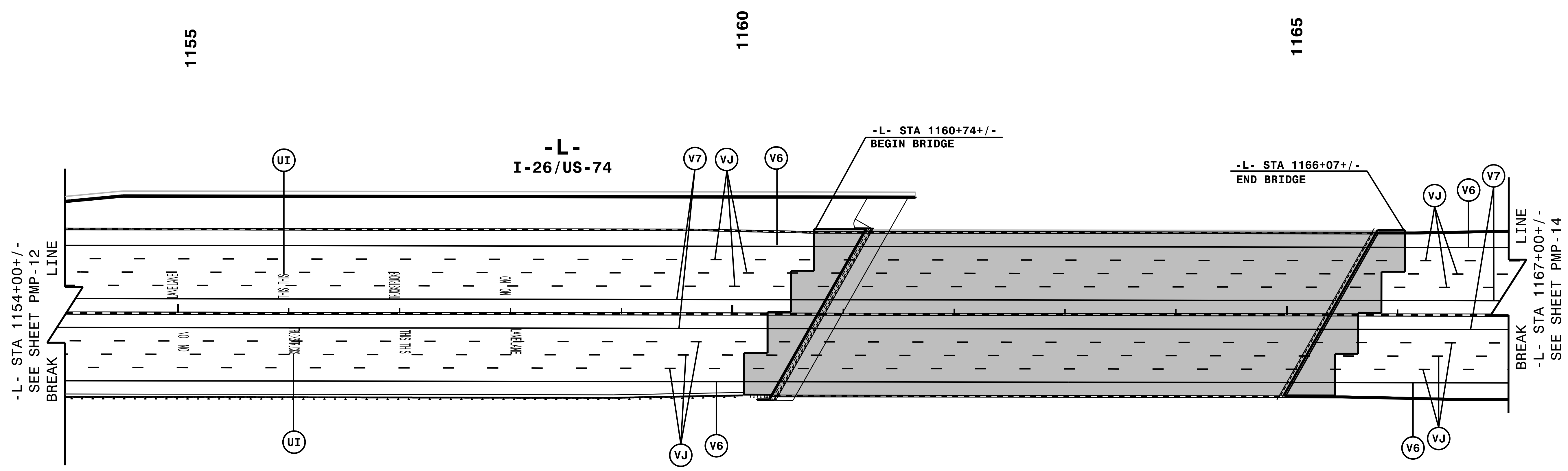
NOTE: ALL LANE WIDTHS ARE 12' UNLESS OTHERWISE SHOWN.

HNTB
 HNTB NORTH CAROLINA, P.C.
 343 E. Six Forks Road, Suite 200
 Raleigh, North Carolina 27609
 NC License No: C-1554
 (919) 546-8997

PAVEMENT MARKING DETAIL

1/28/2019
X:\PMP\CADD\I4700B_PMP_PMP12.dgn
HNTB

TIP NO. I-4700	SHEET NO. PMP-13
APPROVED: <i>Andrew D. Klincksiek</i> E-3078FB4596E44B	
DATE: 1/28/2019	
SEAL	
	
DOCUMENT NOT CONSIDERED FINAL UNLESS ALL SIGNATURES COMPLETED	




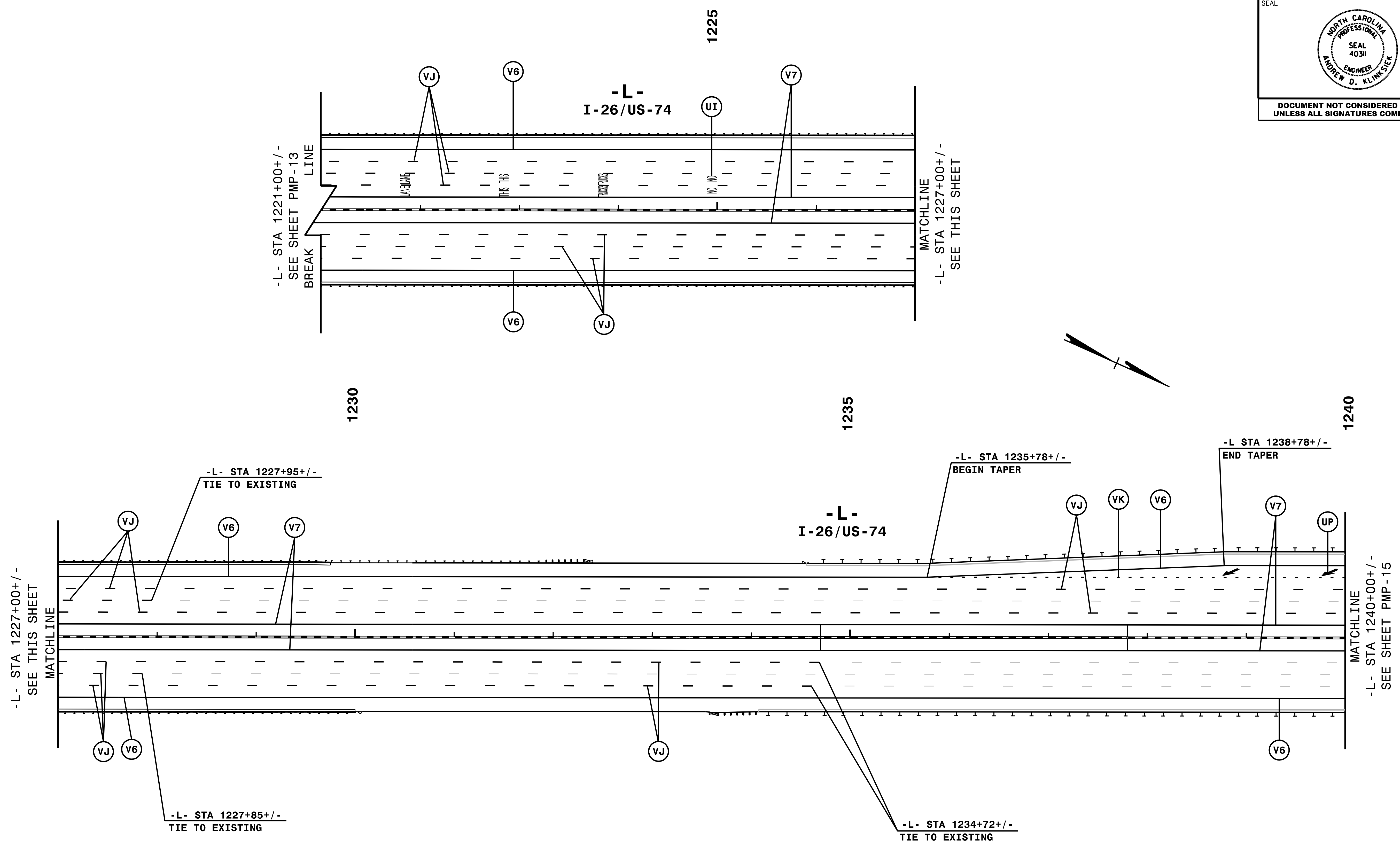
NOTE: ALL LANE WIDTHS ARE 12' UNLESS OTHERWISE SHOWN.

1/28/2019
X:\PMP\CADD\I4700B_PMP_PMP13.dgn
HNTB

HNTB
 HNTB NORTH CAROLINA, P.C.
 343 E. Six Forks Road, Suite 200
 Raleigh, North Carolina 27609
 NC License No: C-1554
 (919) 546-8997

PAVEMENT MARKING DETAIL

TIP NO. I - 4700	SHEET NO. PMP - 14
APPROVED: <i>Andrew D. Klincksiek</i> E3078FB459E44B	
DATE: 1/28/2019	
	
DOCUMENT NOT CONSIDERED FINAL UNLESS ALL SIGNATURES COMPLETED	




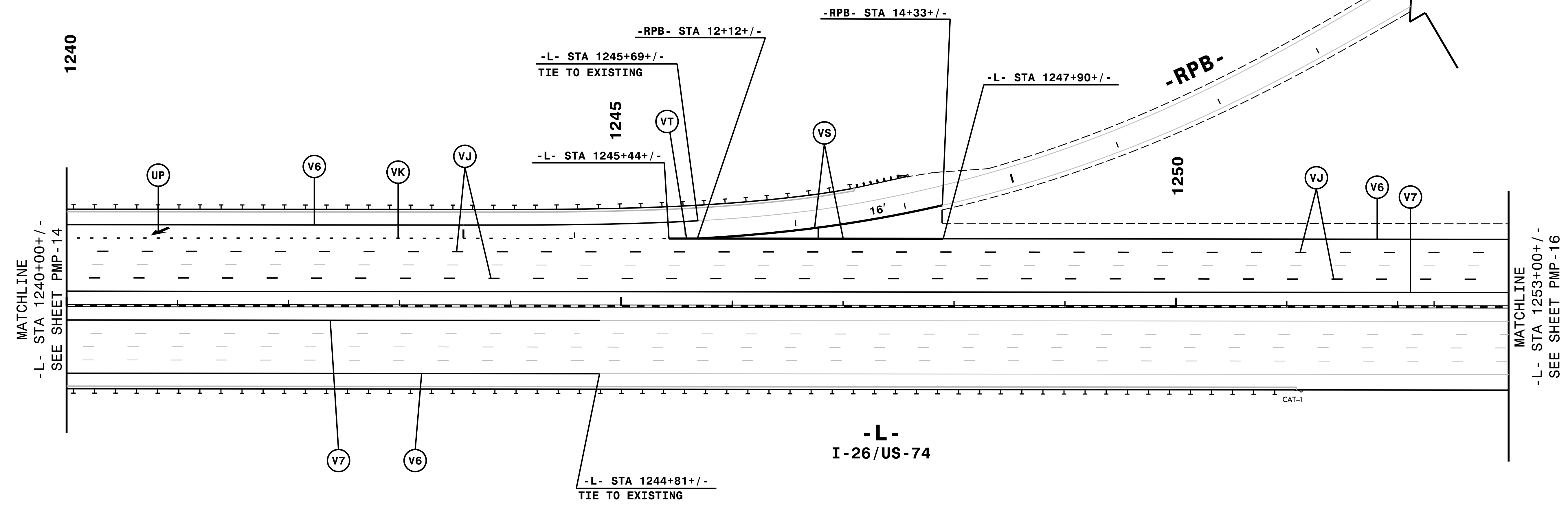
NOTE: ALL LANE WIDTHS ARE 12' UNLESS OTHERWISE SHOWN.

HNTB
 HNTB NORTH CAROLINA, P.C.
 343 E. Six Forks Road, Suite 200
 Raleigh, North Carolina 27609
 NC License No: C-1554
 (919) 546-8997

PAVEMENT MARKING DETAIL

1/28/2019
I:\PMP\CADD\14700B_PMP_PMP14.dgn
HNTB

TIP NO. I-4700	SHEET NO. PMP-15
APPROVED: <i>Andrew D. Klincksiek</i> E3078FB459E44B	
DATE: 1/28/2019	
SEAL	
	
DOCUMENT NOT CONSIDERED FINAL UNLESS ALL SIGNATURES COMPLETED	




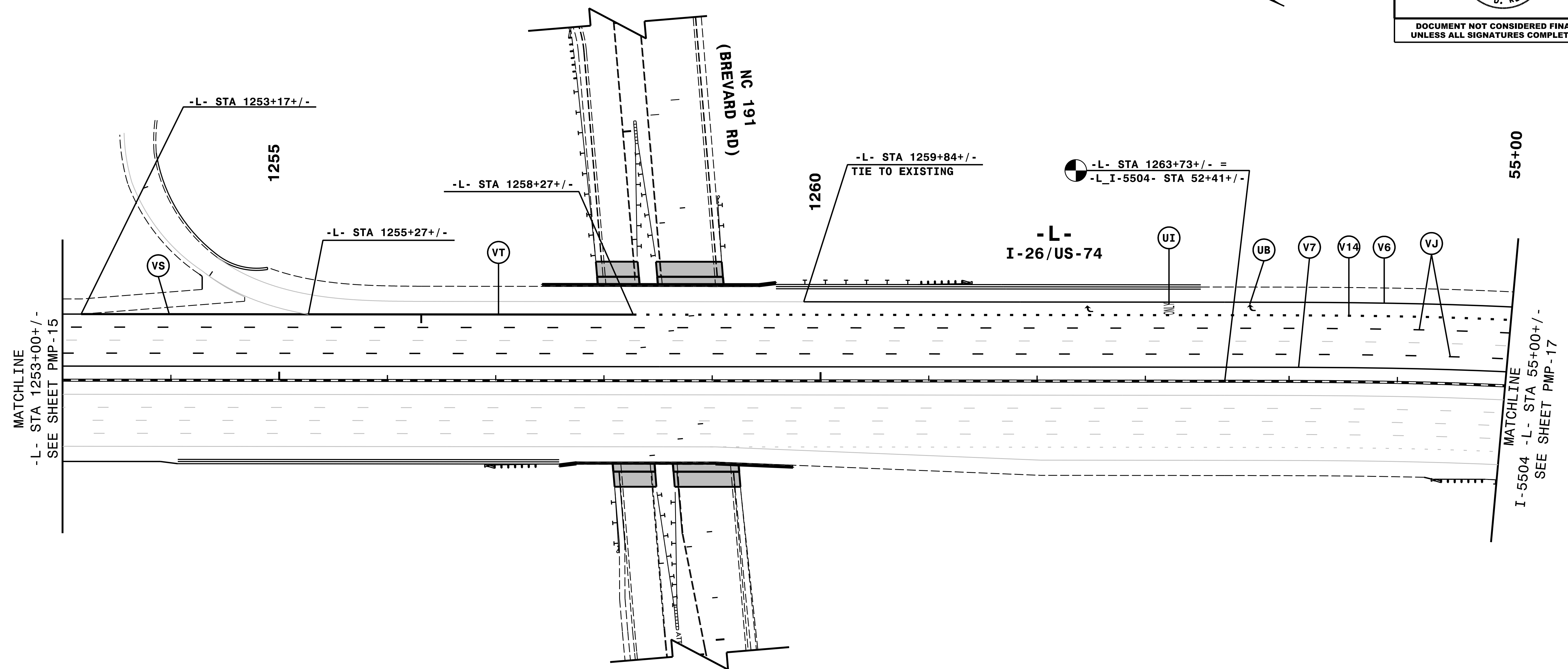
NOTE: ALL LANE WIDTHS ARE 12' UNLESS OTHERWISE SHOWN.

1/28/2019
X:\PMP\CADD\14700B_PMP_PMP15.dgn
HNTB

HNTB
 HNTB NORTH CAROLINA, P.C.
 343 E. SIX FORKS ROAD, SUITE 200
 RALEIGH, NORTH CAROLINA 27609
 NC License No: C-1554
 (919) 546-8997

PAVEMENT MARKING DETAIL

TIP NO. I-4700	SHEET NO. PMP-16
APPROVED: <i>Andrew D. Klincksiek</i> -E3D78FB4596E44B-	
DATE: 1/28/2019	
	
DOCUMENT NOT CONSIDERED FINAL UNLESS ALL SIGNATURES COMPLETED	




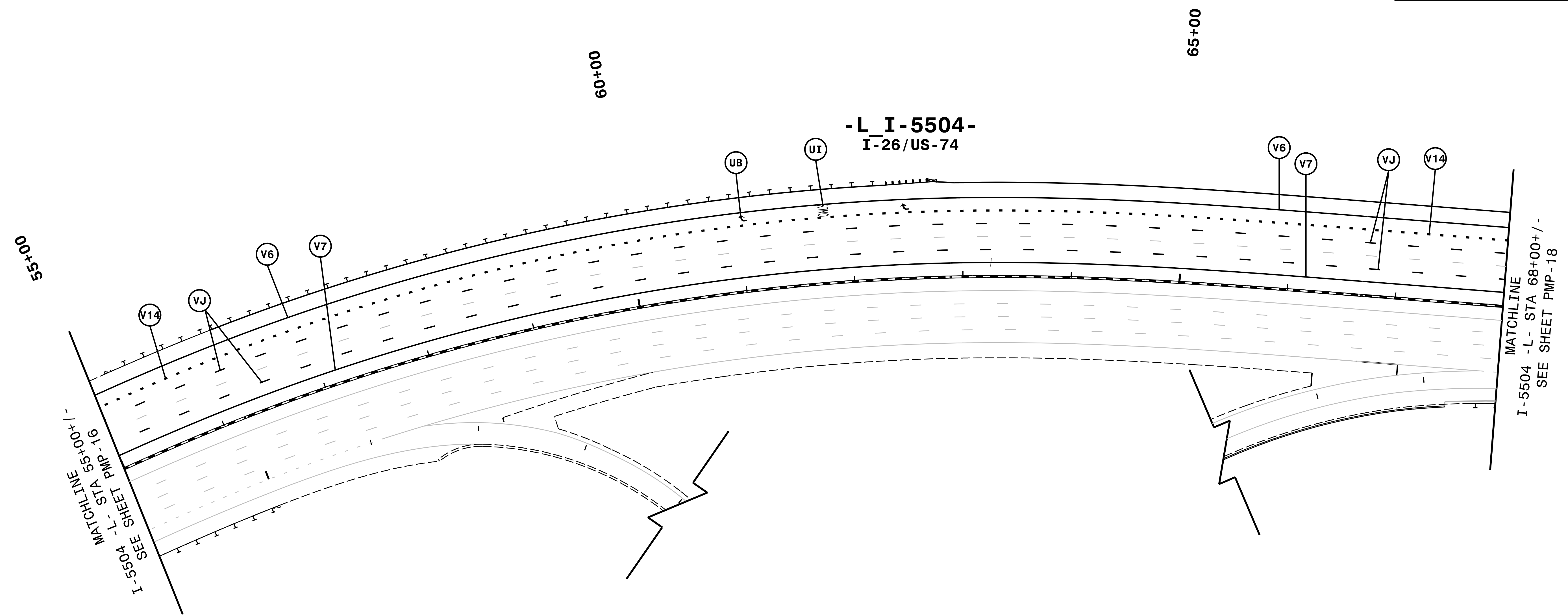
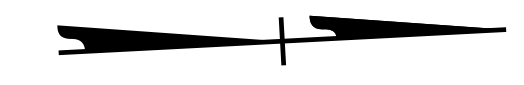
NOTE: ALL LANE WIDTHS ARE 12' UNLESS OTHERWISE SHOWN.

1/28/2019
I:\PMP\CADD\I-4700B_PMP_PMP16.dgn
HNTB

HNTB
 HNTB NORTH CAROLINA, P.C.
 343 E. SIX FORKS ROAD, SUITE 200
 RALEIGH, NORTH CAROLINA 27609
 NC LICENSE NO: C-1554
 (919) 546-8997

PAVEMENT MARKING DETAIL

TIP NO. I-4700	SHEET NO. PMP-17
APPROVED: <i>Andrew D. Klinisiek</i> <small>DocuSigned by: Andrew D. Klinisiek E3D78FB4596E44B</small>	
DATE: 1/28/2019	
	
DOCUMENT NOT CONSIDERED FINAL UNLESS ALL SIGNATURES COMPLETED	




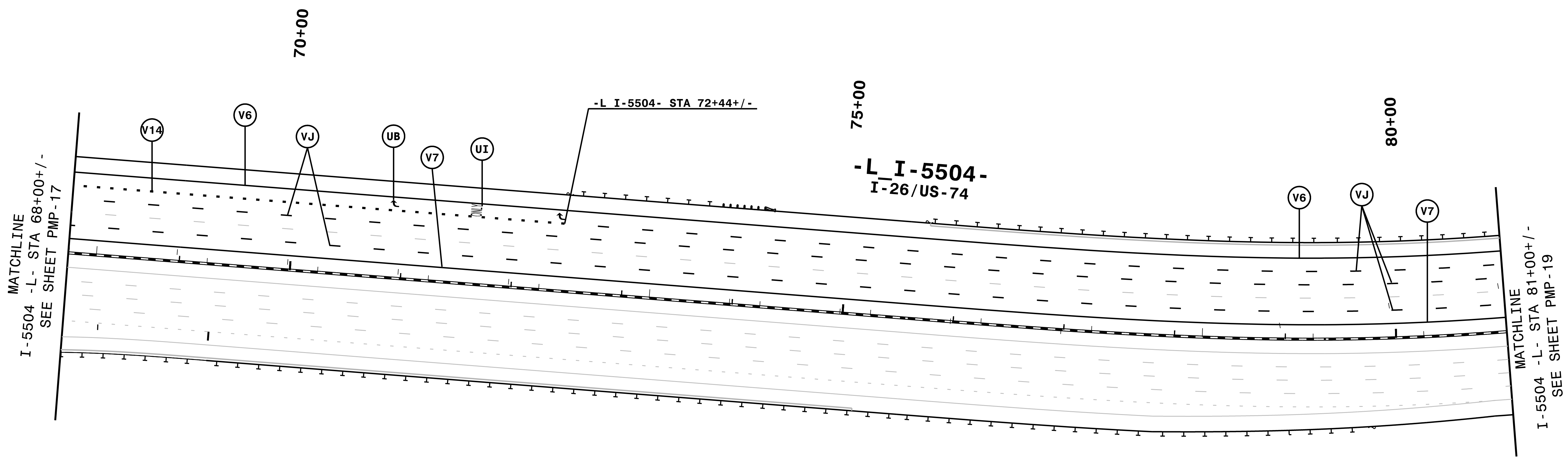
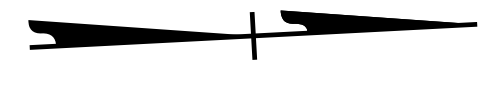
NOTE: ALL LANE WIDTHS ARE 12' UNLESS OTHERWISE SHOWN.

HNTB
 HNTB NORTH CAROLINA, P.C.
 343 E. SIX FORKS ROAD, SUITE 200
 RALEIGH, NORTH CAROLINA 27609
 NC License No: C-1554
 (919) 546-8997

PAVEMENT MARKING DETAIL

1/28/2019
X:\PMP\CADD\4700B_PMP_PMP17.dgn
HNTB

TIP NO. I-4700	SHEET NO. PMP-18
APPROVED: <i>Andrew D. Klincksiek</i> <small>ES078FB4596E44B</small>	
DATE: 1/28/2019	
	
DOCUMENT NOT CONSIDERED FINAL UNLESS ALL SIGNATURES COMPLETED	




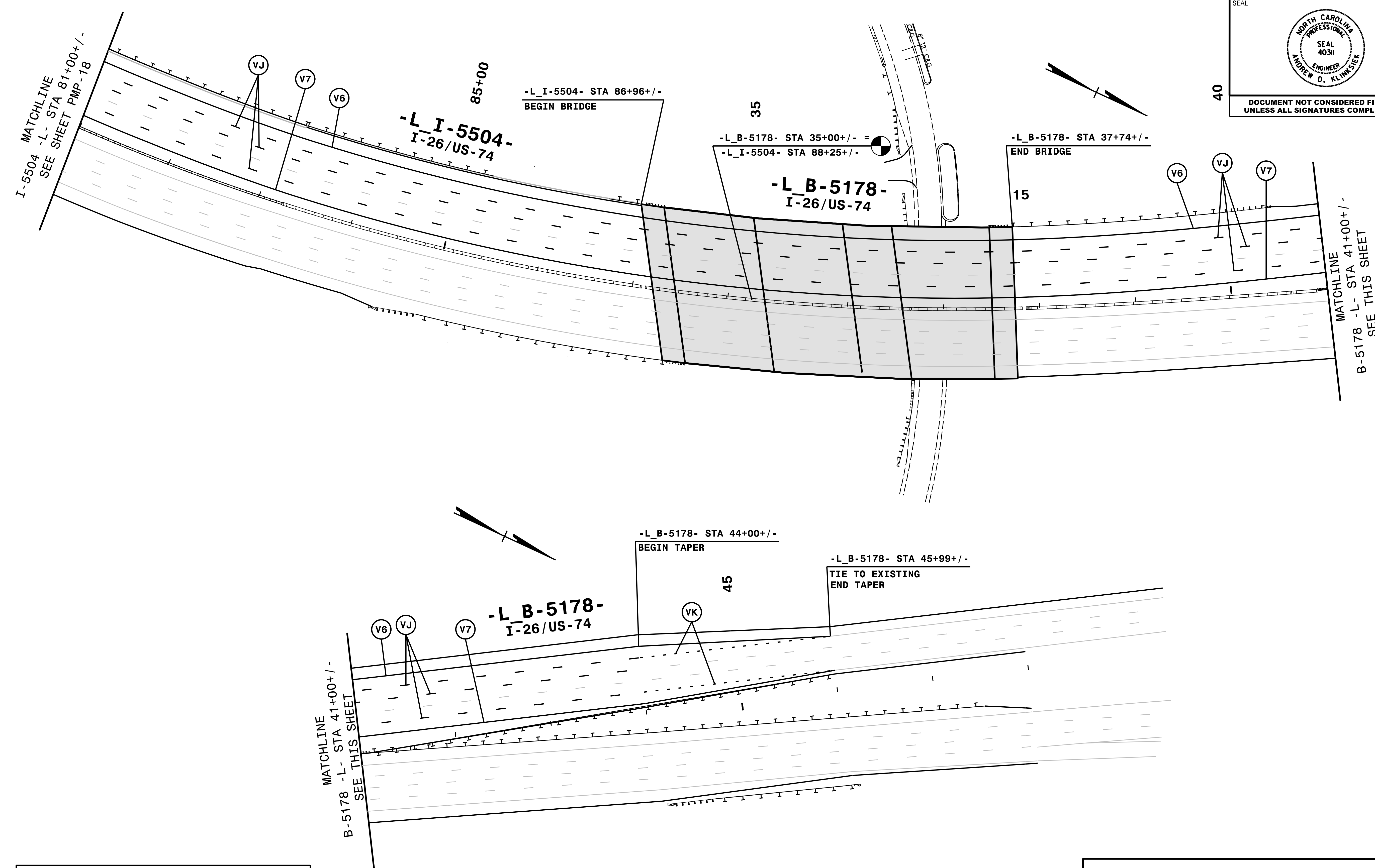
NOTE: ALL LANE WIDTHS ARE 12' UNLESS OTHERWISE SHOWN.

HNTB
 HNTB NORTH CAROLINA, P.C.
 343 E. SIX FORKS ROAD, SUITE 200
 RALEIGH, NORTH CAROLINA 27609
 NC LICENSE NO: C-1554
 (919) 546-8997

PAVEMENT MARKING DETAIL

1/28/2019
X:\PMP\CADD\I4700B_PMP_PMP18.dgn
HNTB

TIP NO. I-4700	SHEET NO. PMP-19
APPROVED: <i>Andrew D. Klincksiek</i> <small>E3078FB459E44B</small>	
DATE: 1/28/2019	
SEAL	
	
DOCUMENT NOT CONSIDERED FINAL UNLESS ALL SIGNATURES COMPLETED	




NOTE: ALL LANE WIDTHS ARE 12' UNLESS OTHERWISE SHOWN.

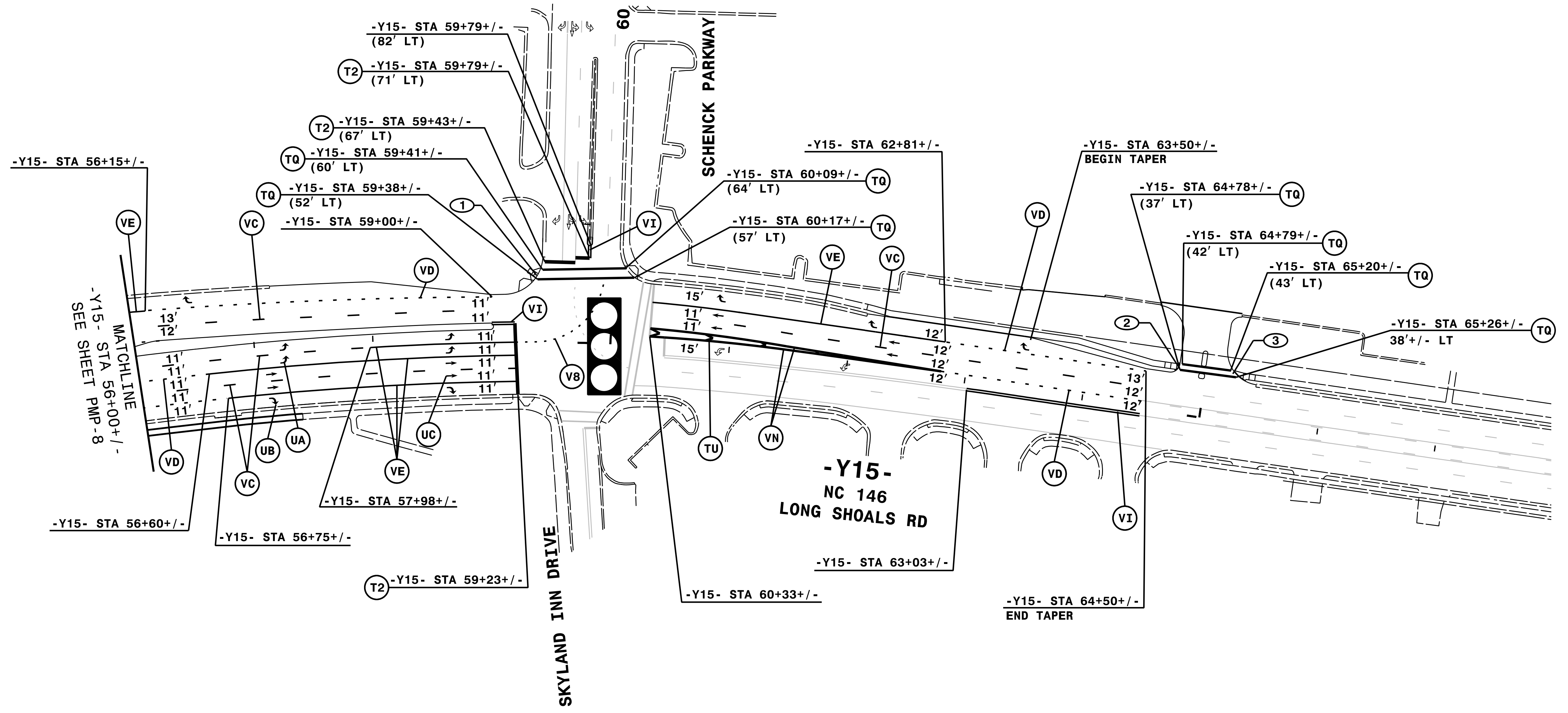
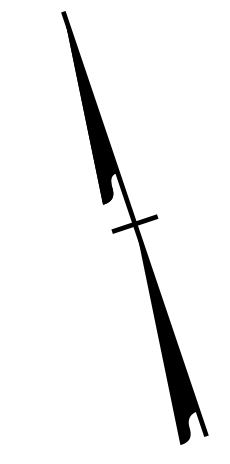
1/28/2019
I:\PMP\CADD\4700B_PMP_PMP19.dgn
HNTB

HNTB HNTB NORTH CAROLINA, P.C.
343 E. SIX FORKS ROAD, SUITE 200
RALEIGH, NORTH CAROLINA 27609
NC LICENSE NO: C-1554
(919) 546-8997

PAVEMENT MARKING DETAIL

TIP NO. I-4700	SHEET NO. PMP-20
APPROVED: <i>Andrew D. Klinck</i> DATE: 4/12/2019	
	
DOCUMENT NOT CONSIDERED FINAL UNLESS ALL SIGNATURES COMPLETED	

- CURB RAMP LOCATIONS**
- ① -Y15- STA 59+39+/- 55' LT (STANDARD)
 - ② -Y15- STA 64+77+/- 40' LT (STANDARD)
 - ③ -Y15- STA 65+23+/- 40' LT (STANDARD)



NOTE: ALL LANE WIDTHS ARE 12' UNLESS OTHERWISE SHOWN.

4/12/2019
4:\EMP\CADD\4700A_PMP_PMP20.dgn
HNTB

HNTB
 HNTB NORTH CAROLINA, P.C.
 343 E. SIX FORKS ROAD, SUITE 200
 RALEIGH, NORTH CAROLINA 27609
 NC LICENSE NO: C-1554
 (919) 546-8997

PAVEMENT MARKING DETAIL