

QUANTITIES FOR ONE PRECAST CONCRETE PILE

LENGTH	APPROX. PILE WT. TONS	ONE PICK-UP POINT		TWO PICK-UP POINT	
		0.300L	0.700L	0.207L	0.586L
10'-0"	1.56	3'-0"	7'-0"		
15'-0"	2.35	4'-6"	10'-6"		
20'-0"	3.14	6'-0"	14'-0"		
25'-0"	3.93	7'-6"	17'-6"		
30'-0"	4.70	9'-0"	21'-0"		
35'-0"	5.49	10'-6"	24'-6"		
40'-0"	6.28	12'-0"	28'-0"		
45'-0"	7.05	13'-6"	31'-6"		
50'-0"	7.84	15'-0"	35'-0"		
55'-0"	8.63			11'-4 1/2"	32'-3"
60'-0"	9.42			12'-5"	35'-2"

NOTES

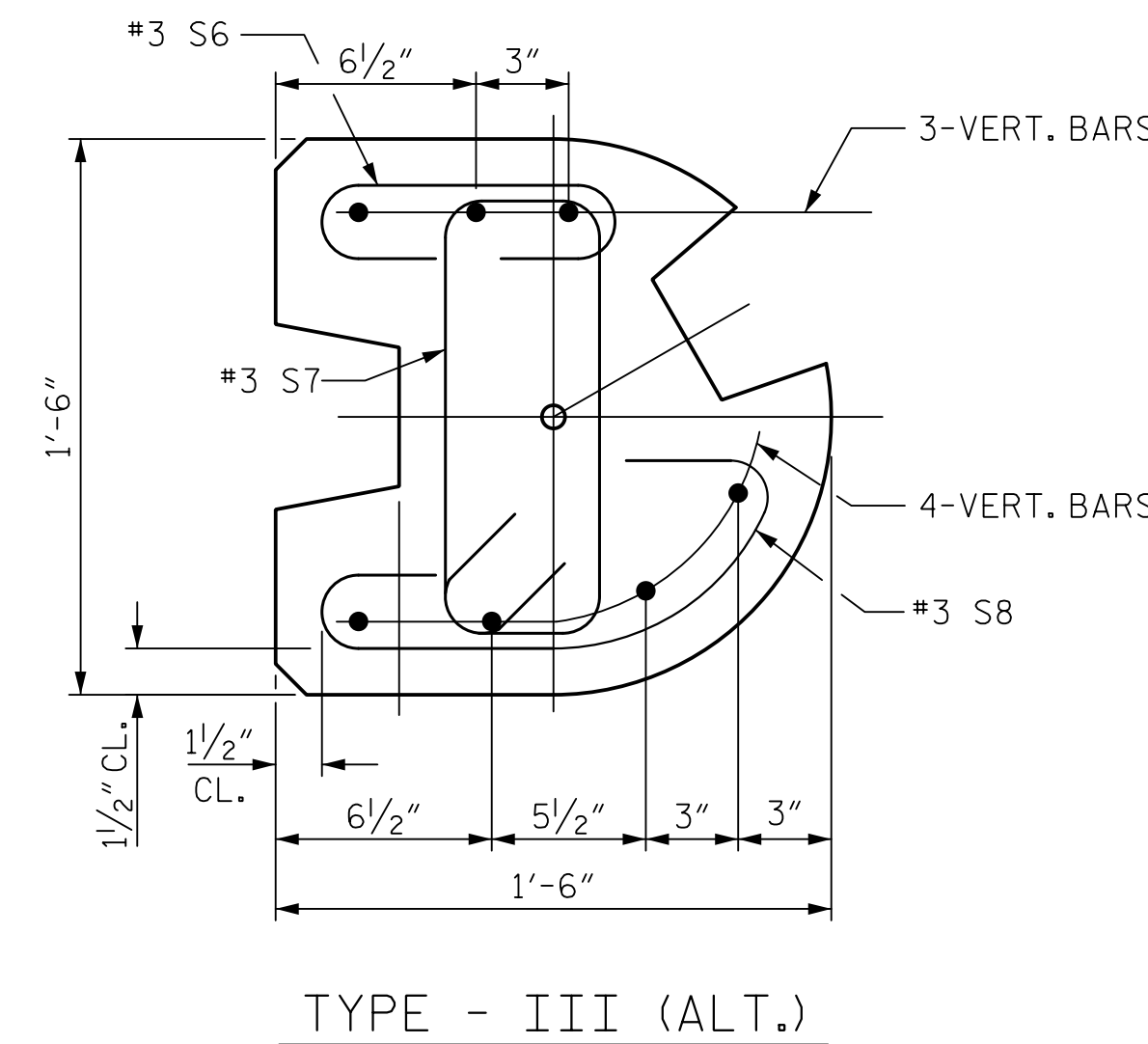
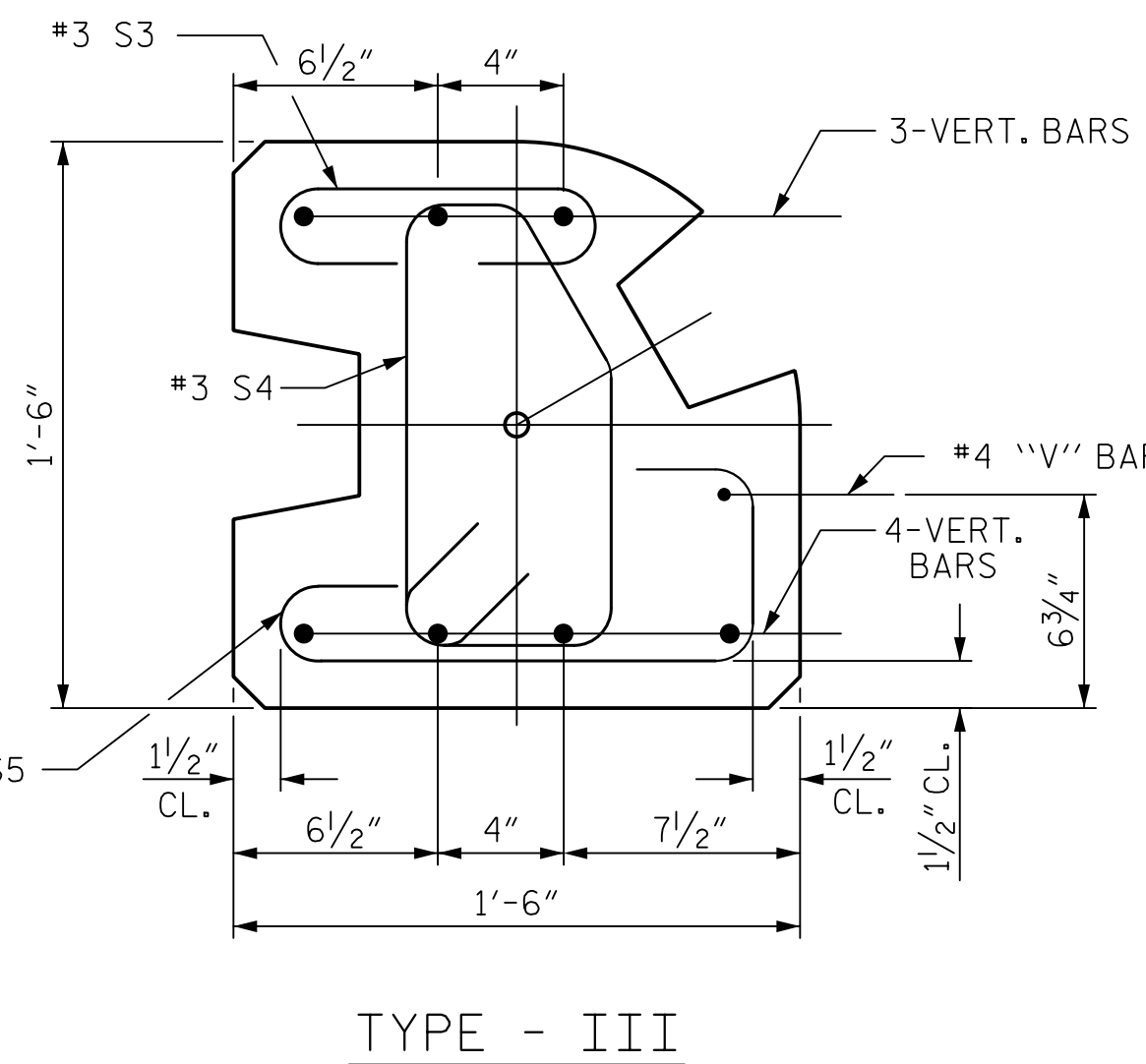
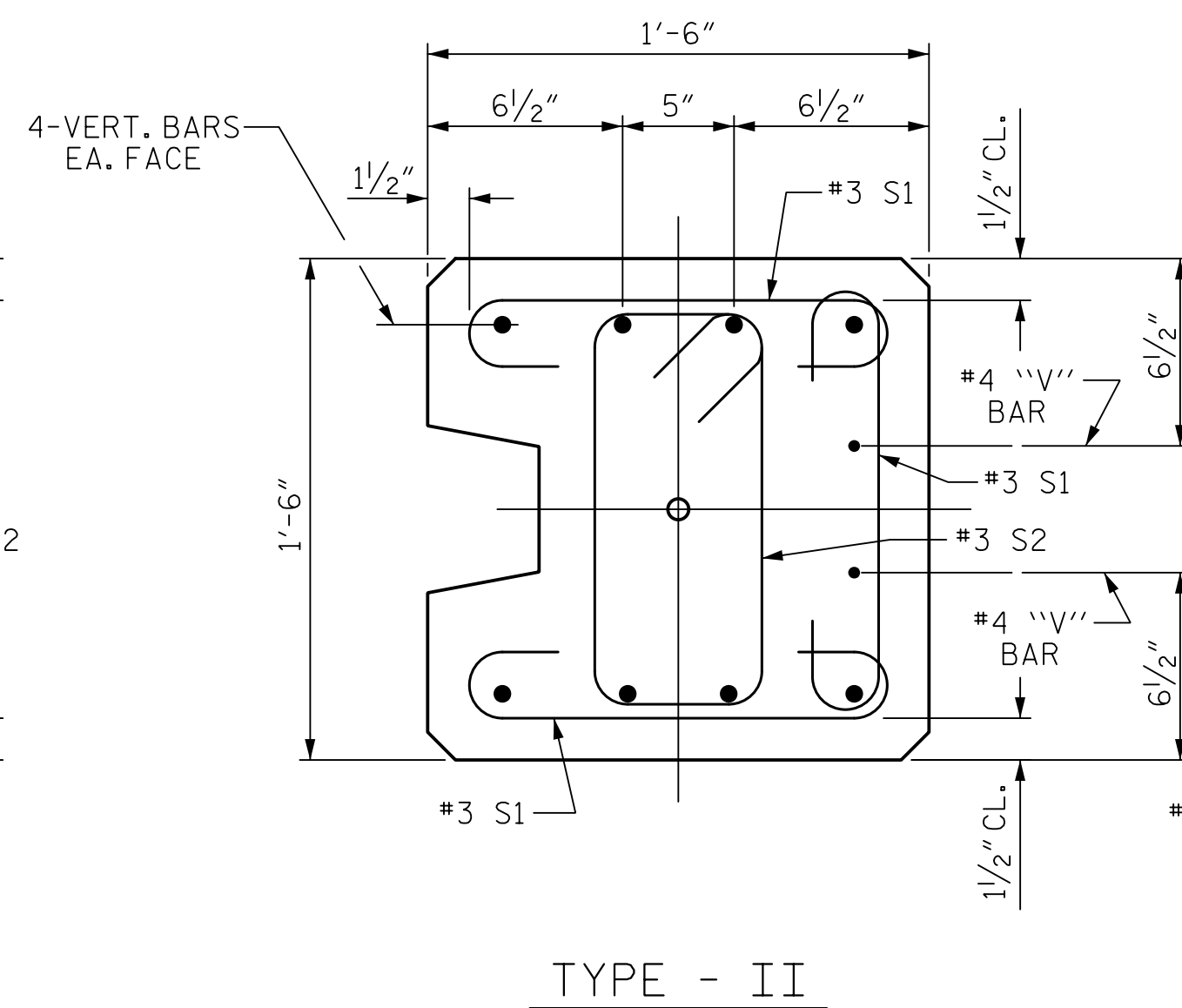
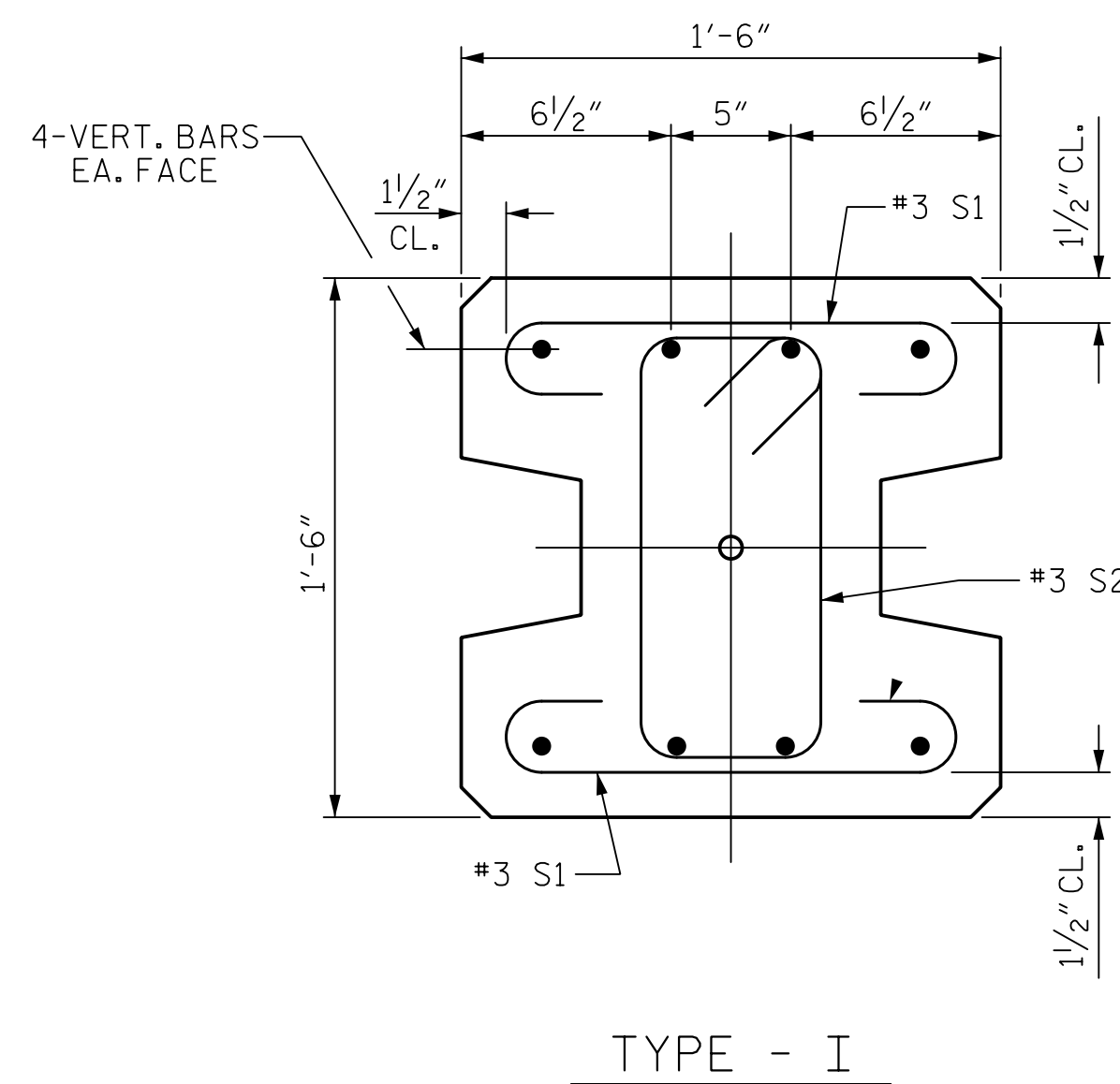
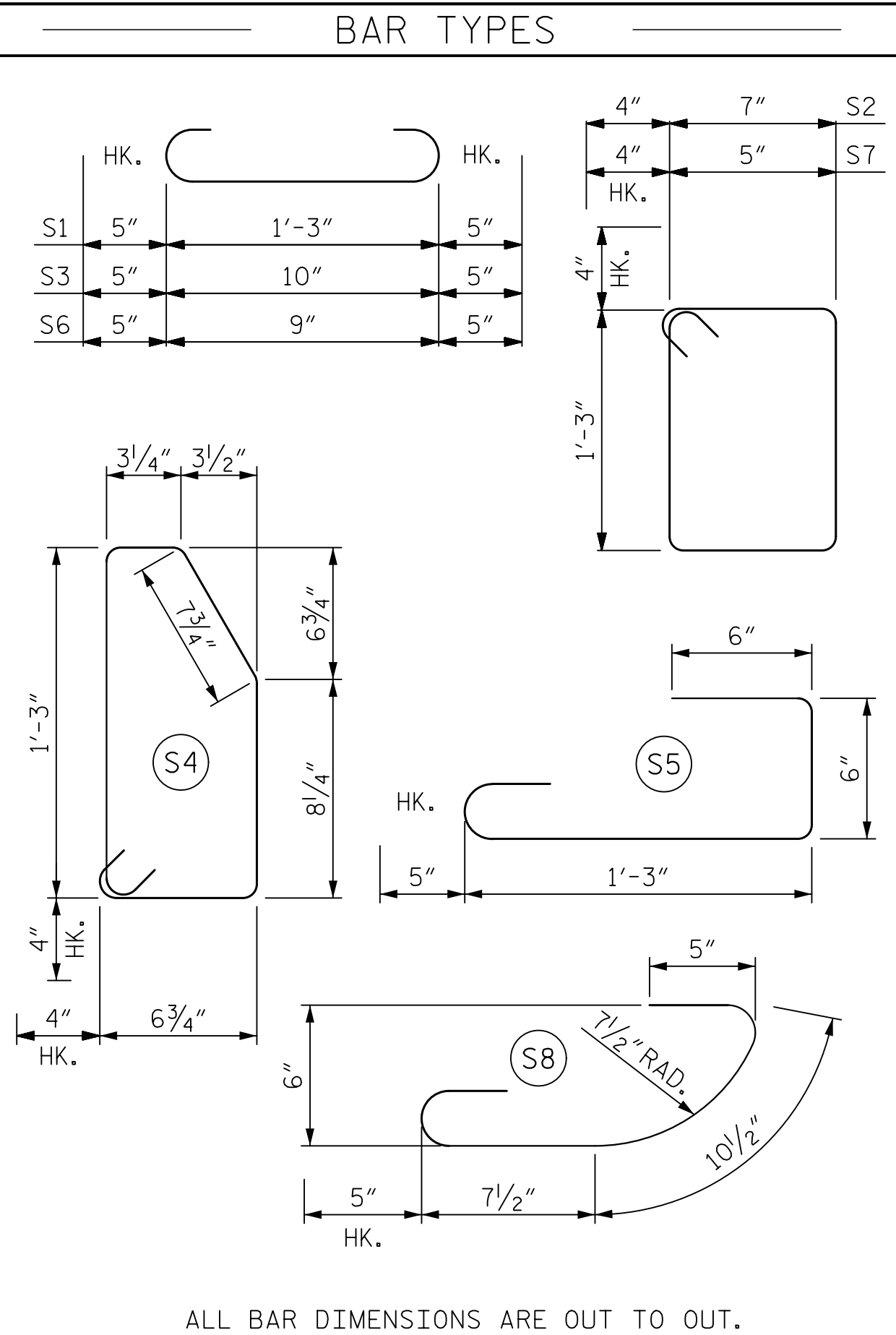
CONCRETE DESIGN DATA :  $f'_c = 5,000$  PSI

PROPOSED DEVICES FOR LIFTING PILES, RECESS DETAILS, AND PATCHING MATERIAL SHALL BE DETAILED IN SHOP DRAWINGS. AFTER ATTACHMENTS HAVE BEEN REMOVED, OPENINGS SHALL BE REPAIRED SUCH THAT THE APPEARANCE OF THE PILE IS UNIFORM.

WHERE CAST-IN-PLACE LIFTING DEVICES ARE NOT USED, PICK-UP POINTS TO BE INDICATED WITH A BLACK MARK 2" WIDE.

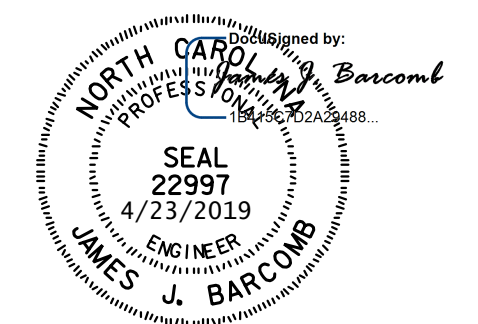
THE SLIP-FORM METHOD OF CASTING PILES WILL NOT BE PERMITTED.

ALL CORNERS TO BE CHAMFERED 1".



PILE DETAIL

FOR VERTICAL BAR PILE REINFORCING, SEE SHEET 1 OF 3



PROJECT NO. I-4700A  
BUNCOMBE COUNTY  
 STATION: 910+99.92 -WBL- =  
10+00.00 -NW6.1-

SHEET 3 OF 4

STATE OF NORTH CAROLINA  
 DEPARTMENT OF TRANSPORTATION  
 RALEIGH  
 STANDARD  
 SOUND BARRIER WALL  
 DETAILS  
 No. -NW6.1-

ASSEMBLED BY : M. WRIGHT DATE : 4/19  
 CHECKED BY : J. BARCOMB DATE : 4/19  
 DRAWN BY : MAA 6/11 REV. 1/15/14 RWW/TMG  
 CHECKED BY : GM 6/11 REV. 12/17 MAA/THC

**HNTB** HNTB NORTH CAROLINA, P.C.  
 NC License No. C-1554  
 343 E. Six Forks Rd., Suite 200, Raleigh, N.C. 27609  
 DRAWN BY : M. WRIGHT DATE : 4/19  
 CHECKED BY : J. BARCOMB DATE : 4/19  
 DESIGN ENGINEER OF RECORD : J. BARCOMB DATE : 4/19

DOCUMENT NOT CONSIDERED FINAL  
 UNLESS ALL SIGNATURES COMPLETED

REVISIONS					SHEET NO.
NO.	BY	DATE	NO.	BY	DATE
1			3		
2			4		

TOTAL SHEETS 4