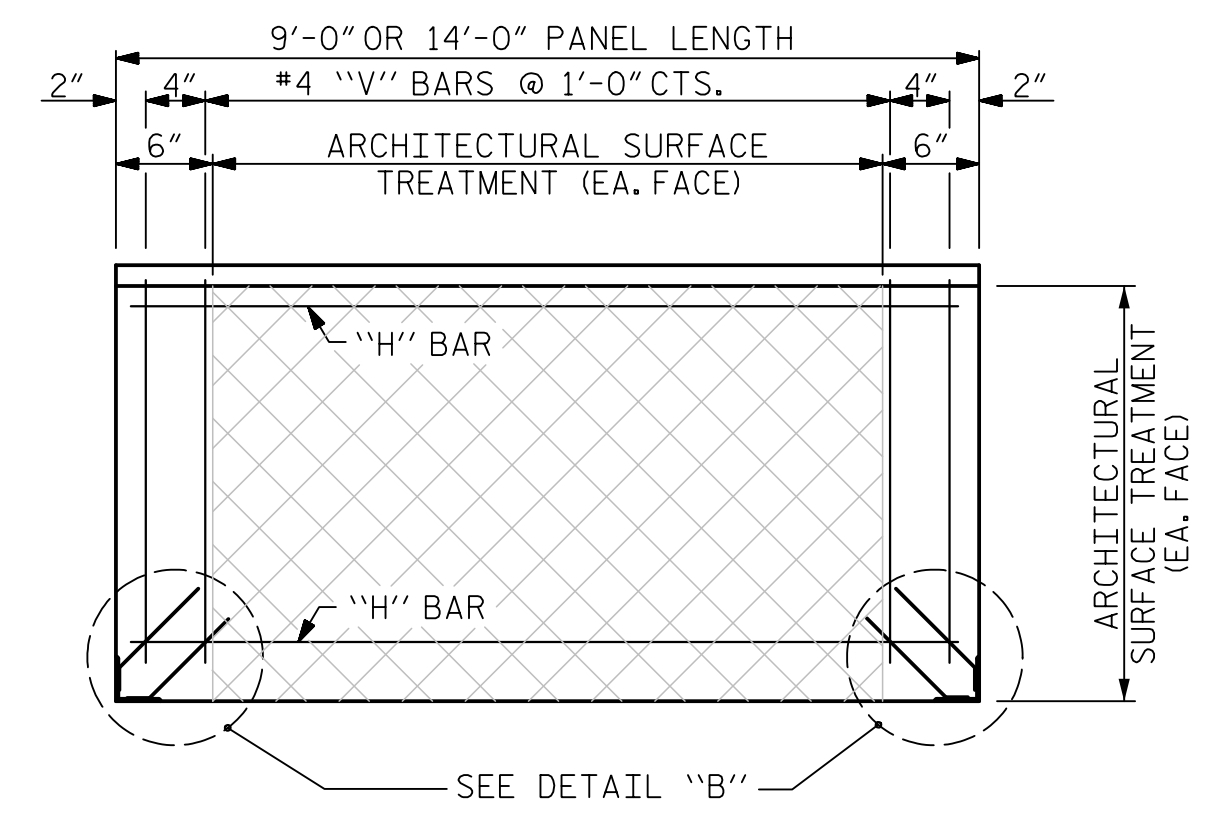
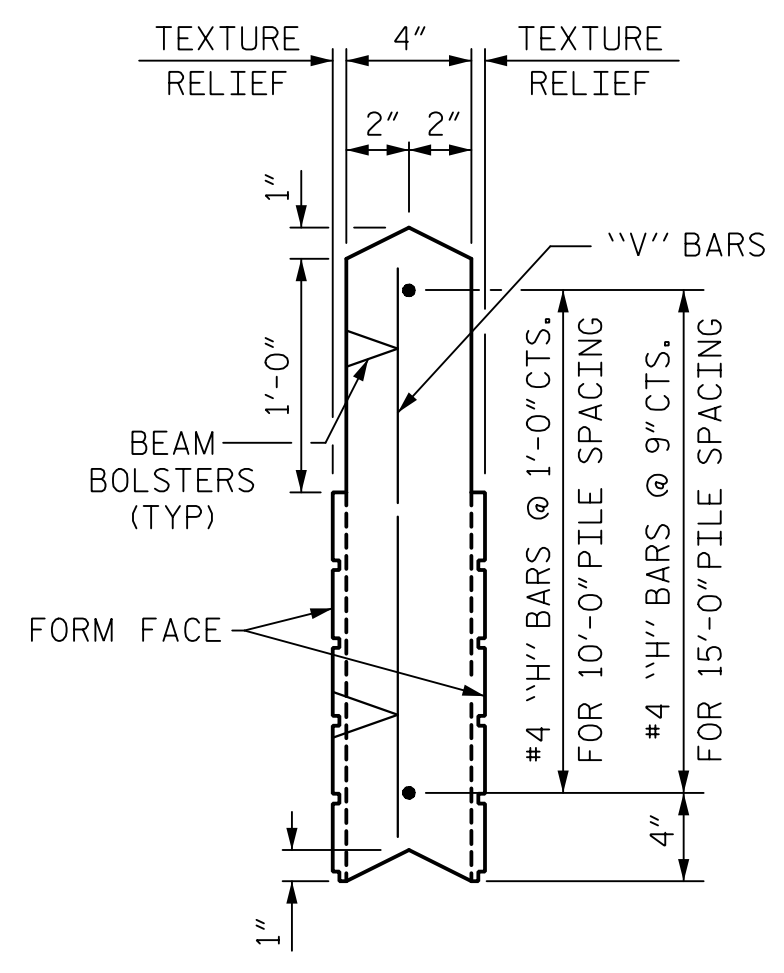


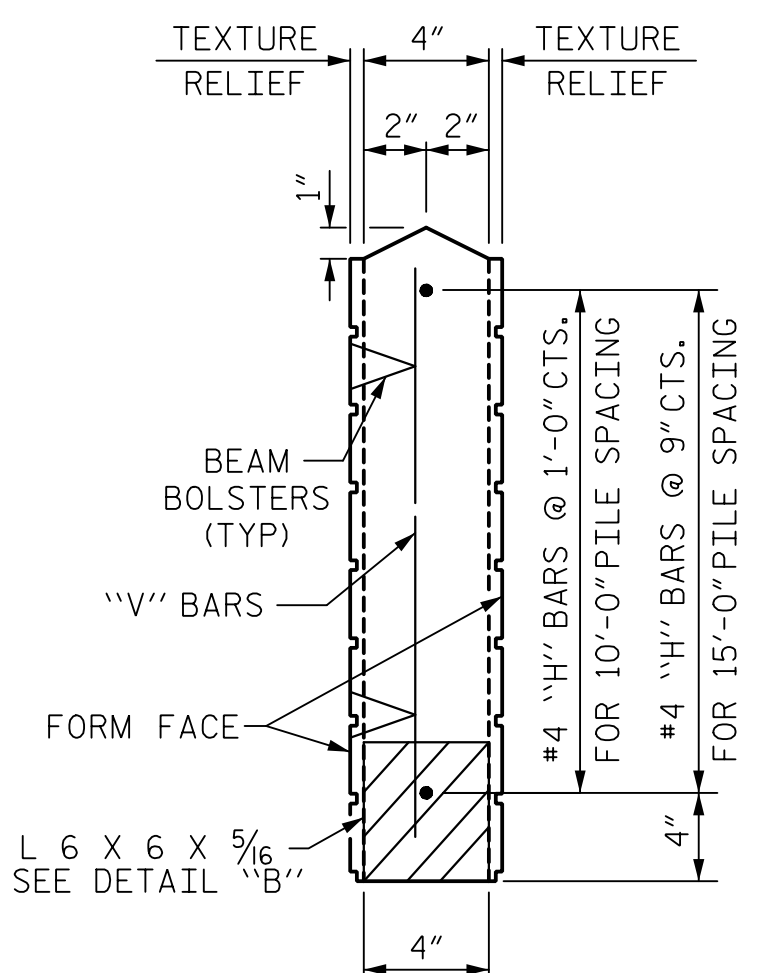
FRONT ELEVATION OF UPPER PRECAST PANEL



FRONT ELEVATION OF BOTTOM PRECAST PANEL

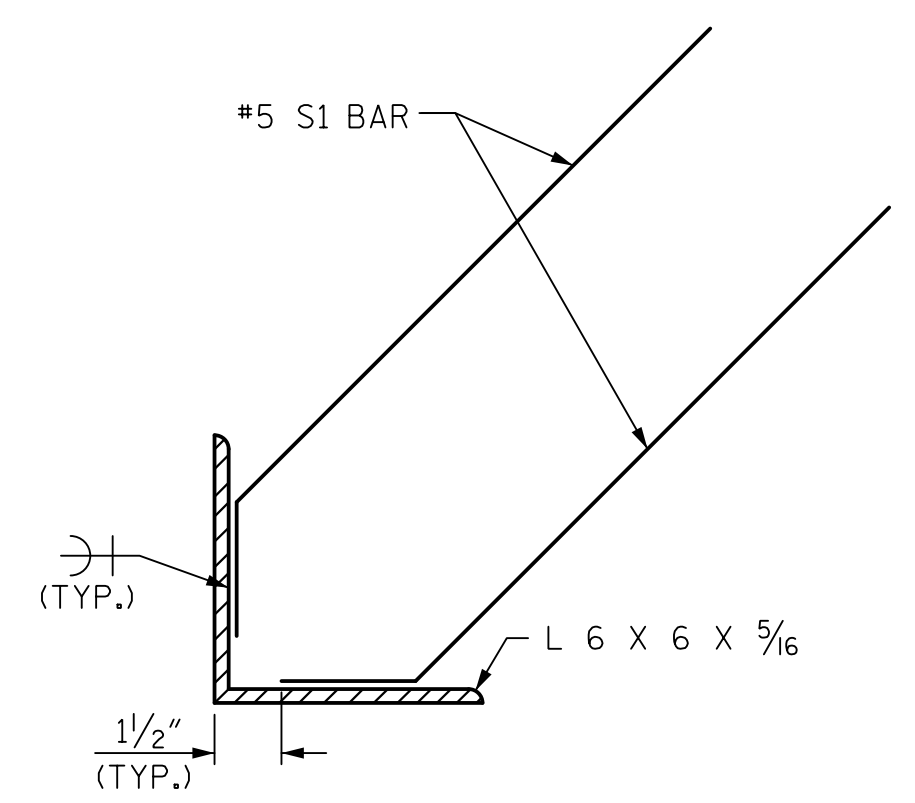


UPPER PANEL



BOTTOM PANEL

SECTION THROUGH PRECAST PANELS



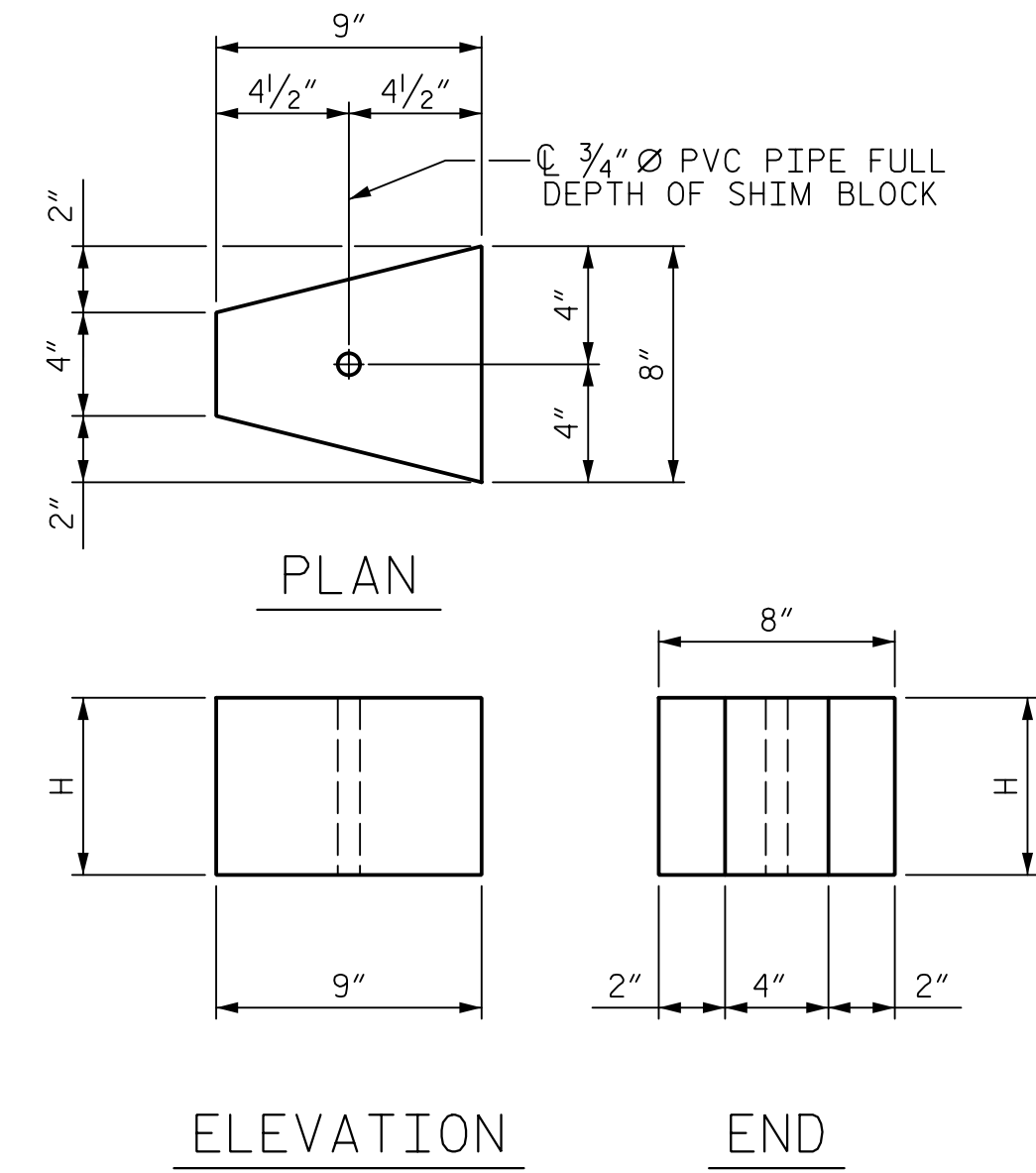
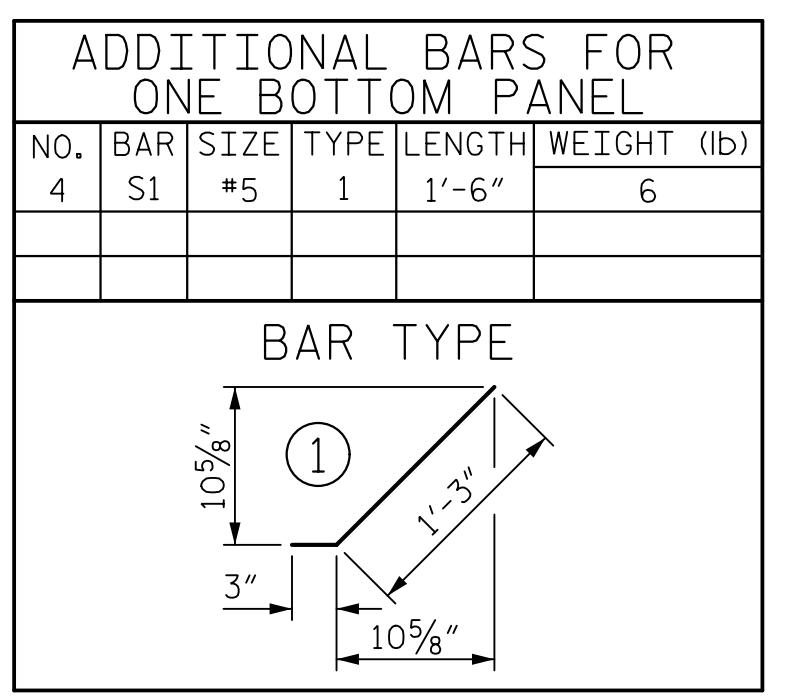
DETAIL "B"

QUANTITIES FOR ONE PRECAST PANEL (FOR 10'-0" PILE SPACING)

| PANEL HEIGHT | CLASS AA CONCRETE C.Y. | BAR TYPES | | | | | | | | | |
|--------------|------------------------|------------|----------|------|--------|-------------|----------|----------|------|--------|-------------|
| | | HORIZONTAL | | | | | VERTICAL | | | | |
| | | NO. | BAR SIZE | TYPE | LENGTH | WEIGHT (lb) | NO. | BAR SIZE | TYPE | LENGTH | WEIGHT (lb) |
| 2'-0" | 0.22 | 3 | H1 #4 | STR | 8'-8" | 17 | 11 | V1 #4 | STR | 1'-8" | 12 |
| 3'-0" | 0.33 | 4 | H2 #4 | STR | 8'-8" | 23 | 11 | V2 #4 | STR | 2'-8" | 20 |
| 4'-0" | 0.44 | 5 | H3 #4 | STR | 8'-8" | 29 | 11 | V3 #4 | STR | 3'-8" | 27 |

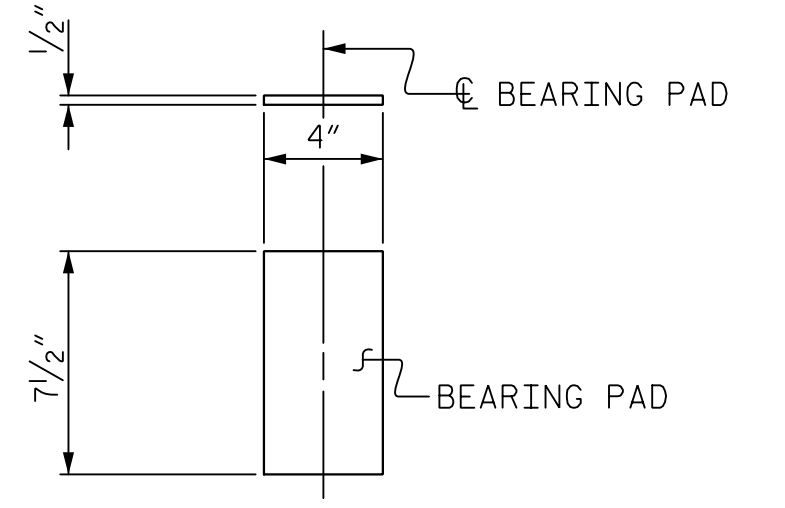
QUANTITIES FOR ONE PRECAST PANEL (FOR 15'-0" PILE SPACING)

| PANEL HEIGHT | CLASS AA CONCRETE C.Y. | BAR TYPES | | | | | | | | | |
|--------------|------------------------|------------|----------|------|--------|-------------|----------|----------|------|--------|-------------|
| | | HORIZONTAL | | | | | VERTICAL | | | | |
| | | NO. | BAR SIZE | TYPE | LENGTH | WEIGHT (lb) | NO. | BAR SIZE | TYPE | LENGTH | WEIGHT (lb) |
| 3'-0" | 0.52 | 5 | H1 #4 | STR | 13'-8" | 46 | 16 | V1 #4 | STR | 2'-8" | 29 |
| 4'-0" | 0.69 | 6 | H2 #4 | STR | 13'-8" | 55 | 16 | V2 #4 | STR | 3'-8" | 39 |
| 5'-0" | 0.86 | 7 | H3 #4 | STR | 13'-8" | 64 | 16 | V3 #4 | STR | 4'-8" | 50 |
| 6'-0" | 1.04 | 8 | H4 #4 | STR | 13'-8" | 73 | 16 | V4 #4 | STR | 5'-8" | 61 |



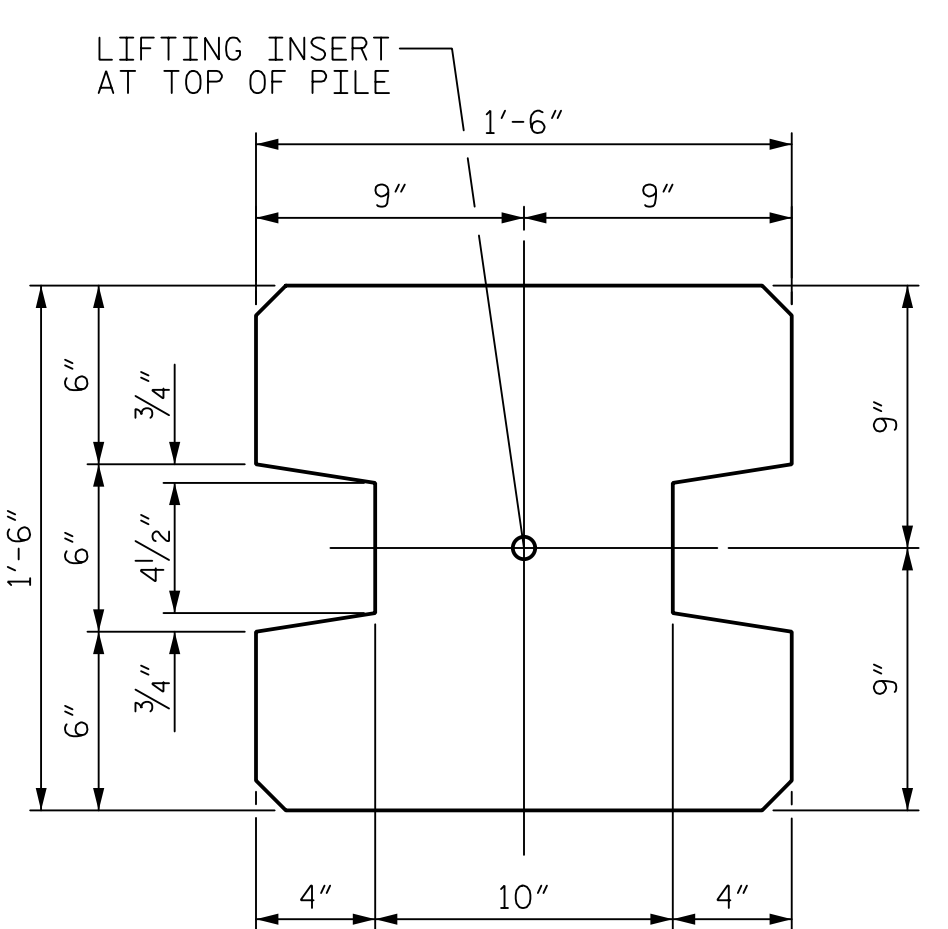
CONCRETE SHIM BLOCK

H = 3", 6" or 1'-0"

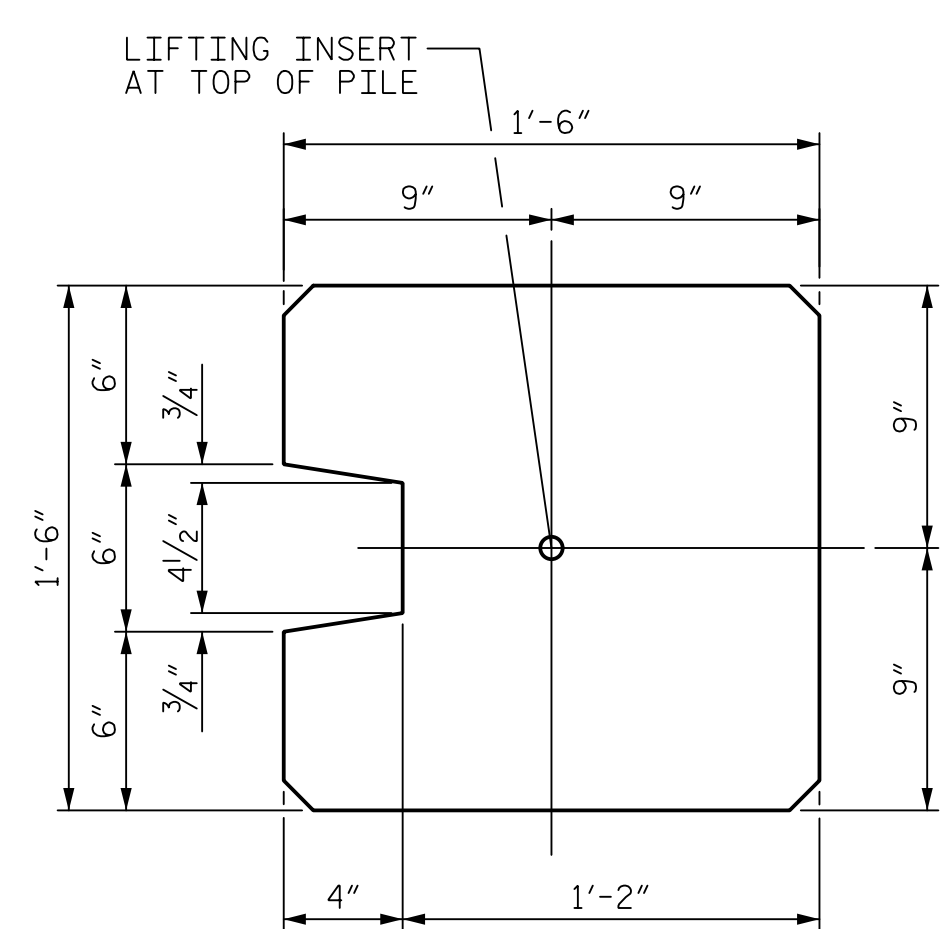


ELASTOMERIC BEARING DETAILS

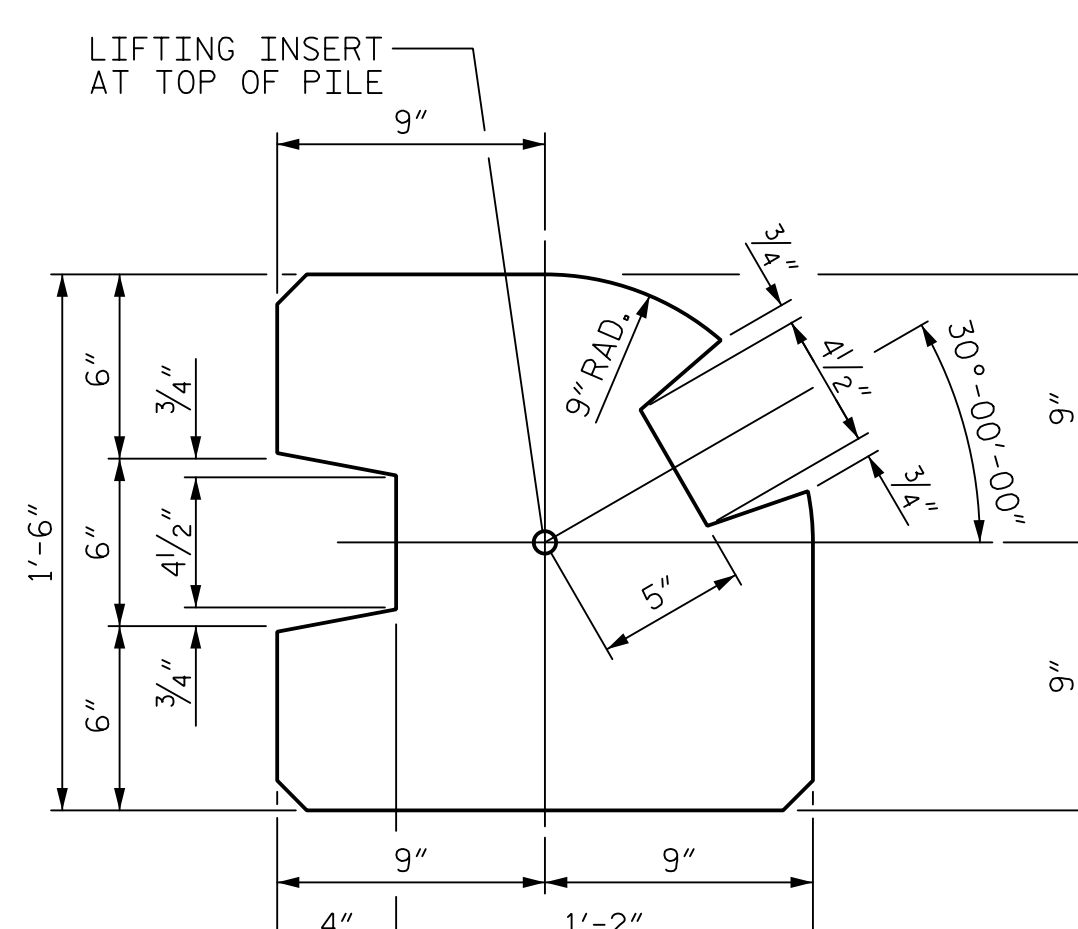
ELASTOMER IN BEARINGS SHALL BE 50 DUROMETER HARDNESS.



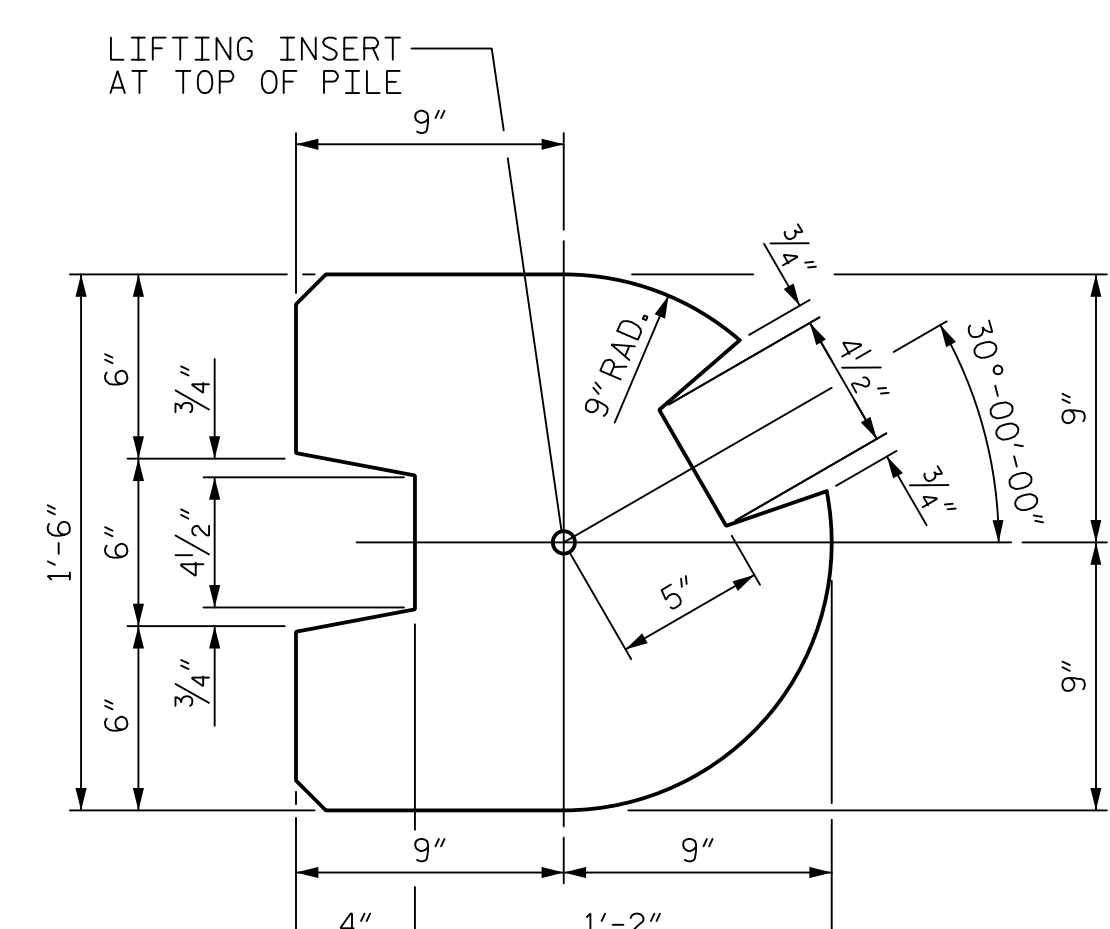
TYPE - I (AREA = 1.9444 SQ. FT.)



TYPE - II (AREA = 2.0903 SQ. FT.)



TYPE - III (AREA = 1.8336 SQ. FT.)



TYPE - III (ALT.) (AREA = 1.7163 SQ. FT.)

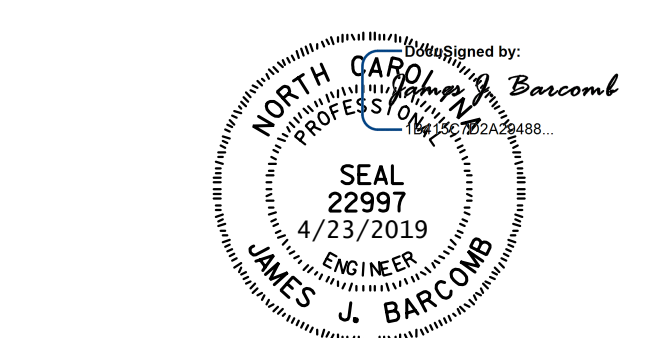
PILE DETAIL

(ALL CORNERS TO BE CHAMFERED 1")

| | |
|--------------------------|----------------------|
| ASSEMBLED BY : M. WRIGHT | DATE : 4/19 |
| CHECKED BY : J. BARCOMB | DATE : 4/19 |
| DRAWN BY : MAA 6/11 | REV. 1/15/14 RWW/TMG |
| CHECKED BY : GM 6/11 | REV. 10/17 MAA/THC |
| | REV. 5/18 MAA/THC |

DOCUMENT NOT CONSIDERED FINAL UNLESS ALL SIGNATURES COMPLETED

| | | | |
|--|-------------|--|--|
| HNTB | | HNTB NORTH CAROLINA, P.C. | |
| NC License No. C-1554 | | 343 E. Six Forks Rd., Suite 200, Raleigh, N.C. 27609 | |
| DRAWN BY : M. WRIGHT | DATE : 4/19 | DWG. NO. : 2 | |
| CHECKED BY : J. BARCOMB | DATE : 4/19 | | |
| DESIGN ENGINEER OF RECORD : J. BARCOMB | DATE : 4/19 | | |



PROJECT NO. I-4700A
BUNCOMBE COUNTY
 STATION: 910+99.92 -WBL- =
10+00.00 -NW6.1-

SHEET 2 OF 4

| REVISIONS | | | | | SHEET NO. |
|-----------|----|------|-----|----|-----------|
| NO. | BY | DATE | NO. | BY | DATE |
| 1 | | | 3 | | |
| 2 | | | 4 | | |

STATE OF NORTH CAROLINA
 DEPARTMENT OF TRANSPORTATION
 RALEIGH
 STANDARD
 SOUND BARRIER WALL
 DETAILS
 No. -NW6.1-