

MFG _____ MFG. DATE: MM/YY	MFG _____ MFG. DATE:MM/YY
SHAFT D/T/L/Y _____	SECTION D/T/L/Y _____
ARM-A D/T/L/Y _____	NCDOT SIG. INV. NO. _____
ARM-B D/T/L/Y _____	NCDOT POLE NO. _____
A.B. DIA./B.C./L/Y _____	
NCDOT SIG. INV. NO. _____	
NCDOT POLE NO. _____	

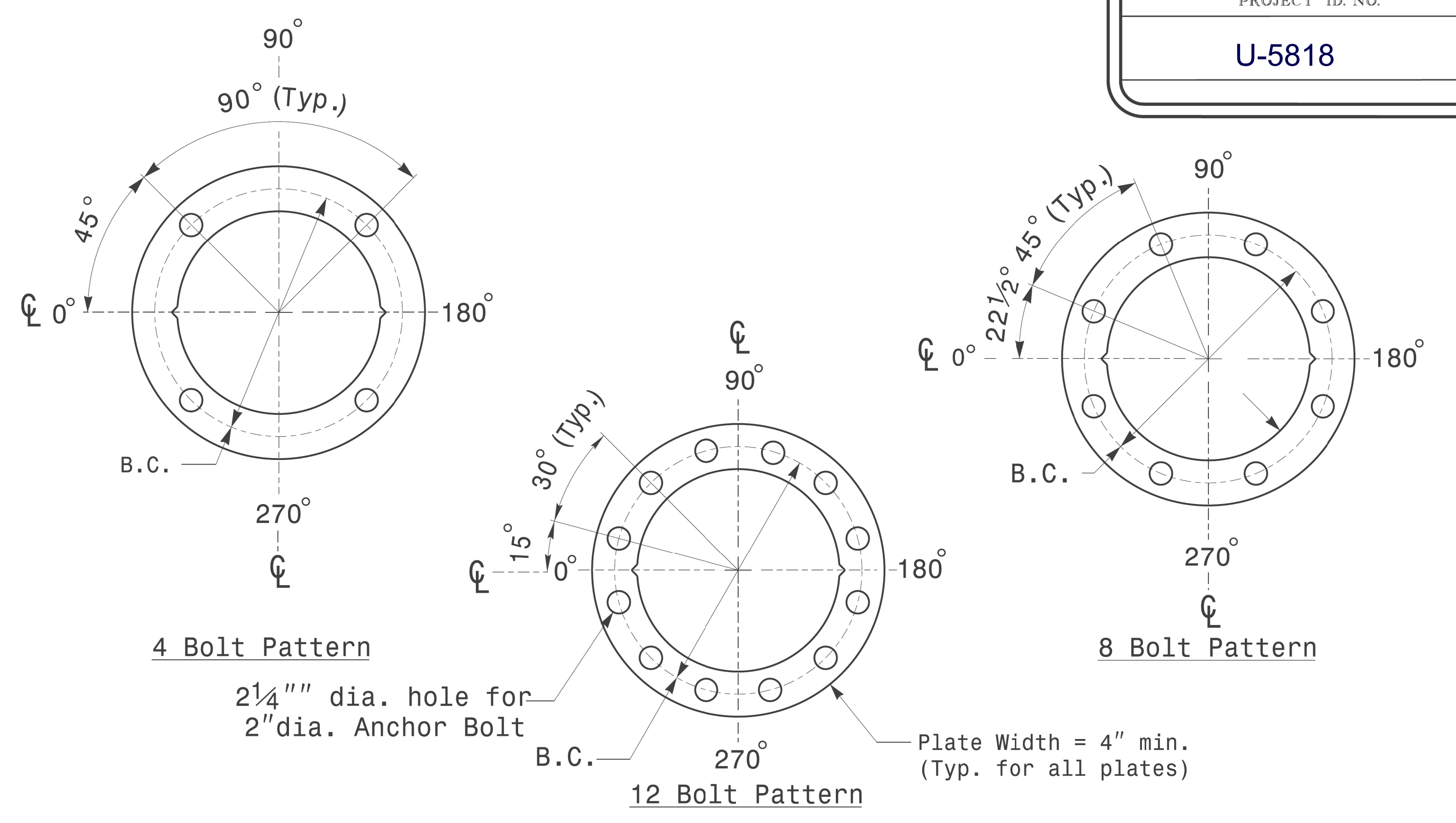
Arm I.D. Tag
(Provide on each section of a multi-section mast arm.)

Shaft I.D. Tag
(Provide on Shaft of Strain Poles and Mast Arm Poles Shaft)

Notes:

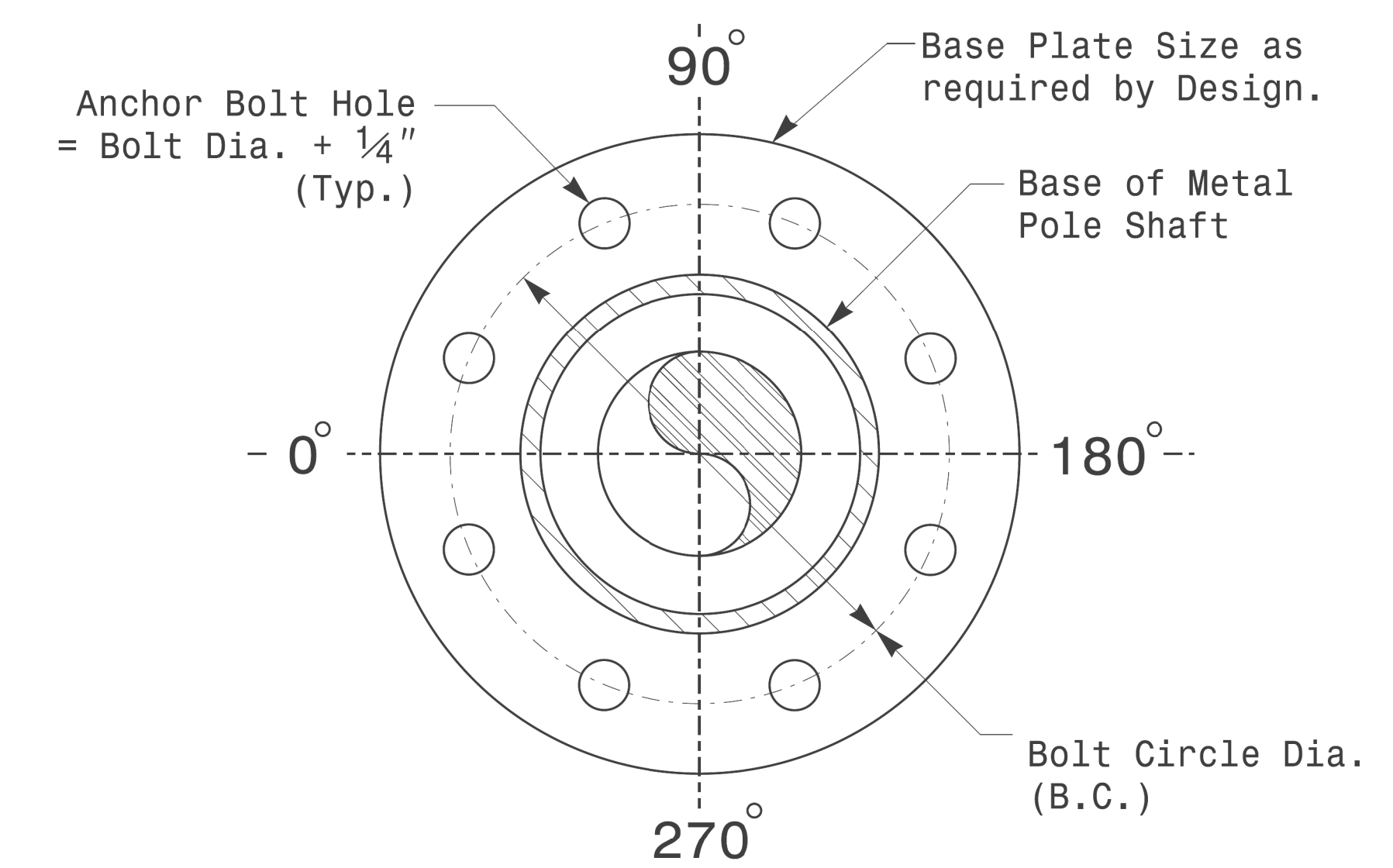
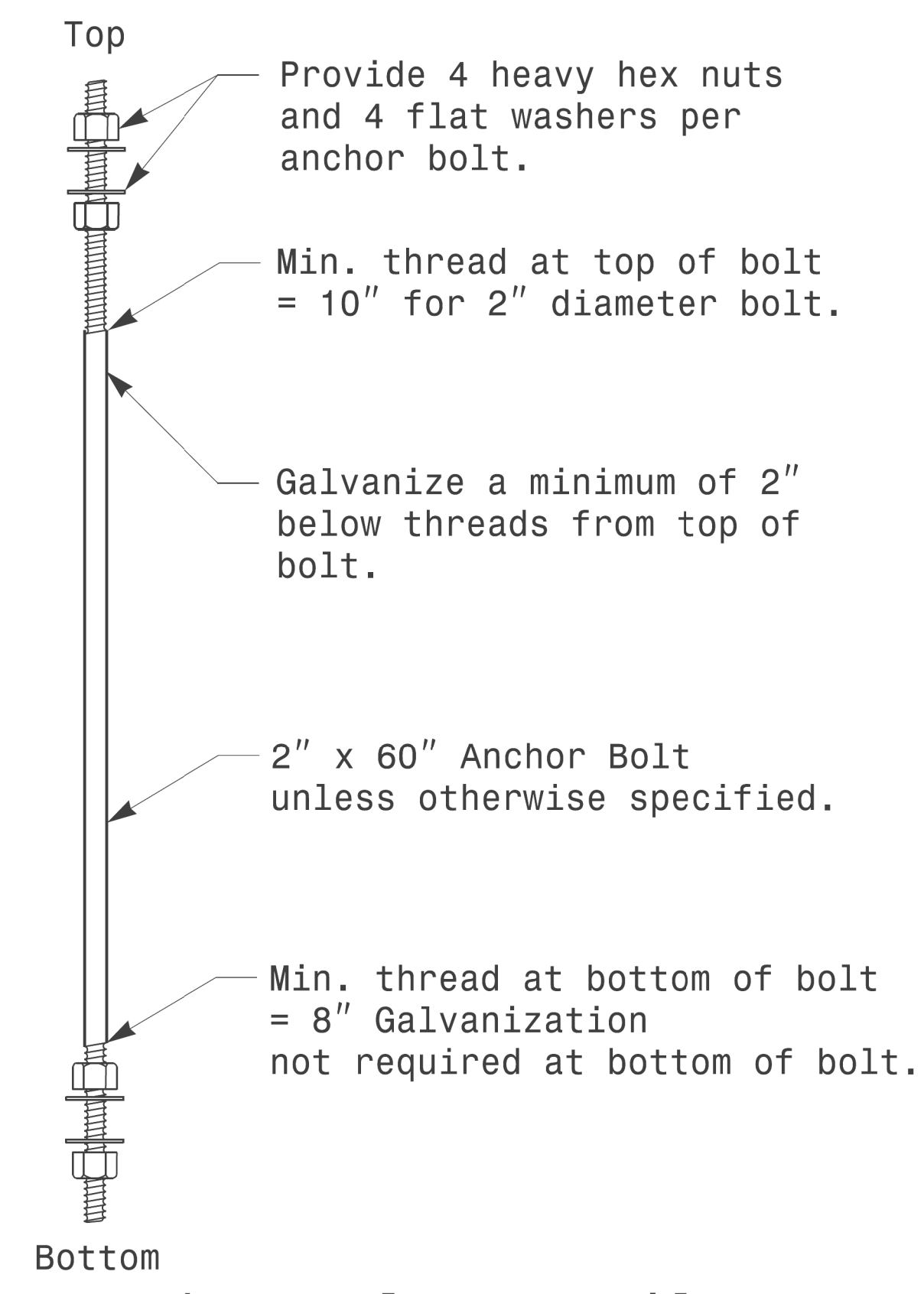
- 1) D= Diameter, T= Thickness, L= Length, Y= Yield Strength
- 2) A.B. = Anchor Bolt
- 3) B.C. = Bolt Circle of Anchor Bolts
- 4) If Custom Design, use "NCDOT STANDARD" line for Signal Inv. Number and pole I.D. number
- 5) See drawing M3 and M4 for mounting positions of I.D. tags.

Identification Tag Details



Construct Templates and Plates from 1/4" min. thick Steel. Galvanizing is not required.

Base Plate Template and Anchor Bolt Lock Plate Details



Note: Base plate may be circular, octagonal, square or rectangular in shape.

Typical Base Plate Detail

	Typical Fabrication Details For All Metal Poles	
	PLAN DATE: OCTOBER 2017 PREPARED BY: N. BITTING	DESIGNED BY: C.F. ANDREWS REVIEWED BY: D.C. SARKAR
SCALE: NONE	REVISIONS:	INIT. DATE:
SEAL NORTH CAROLINA PROFESSIONAL ENGINEER SEAL 028094 DEBESH C. SARKAR		DATE: 10/11/2017