

**CHANNEL C36
SPLICE ENCLOSURE
(CORNWALLIS RD AT
US-15-501 BYPASS NB RAMP)
SIG ID 05-0274**

COLOR CODE
TIA/EIA 598-C

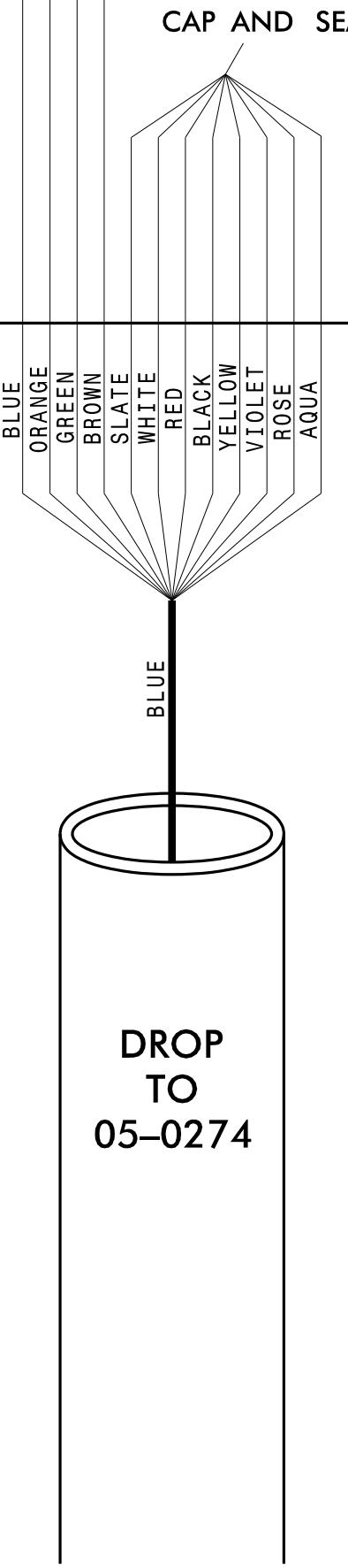
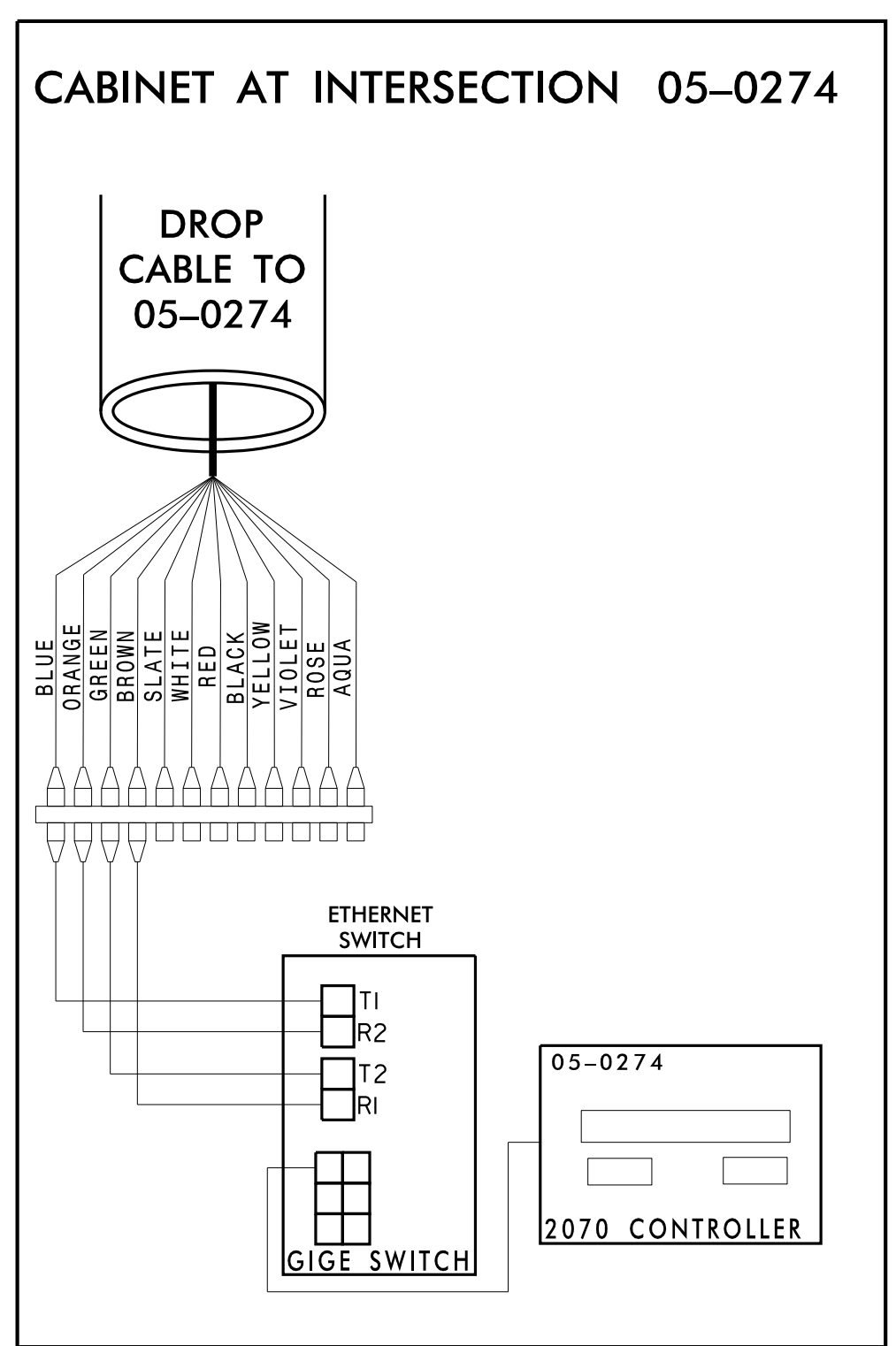
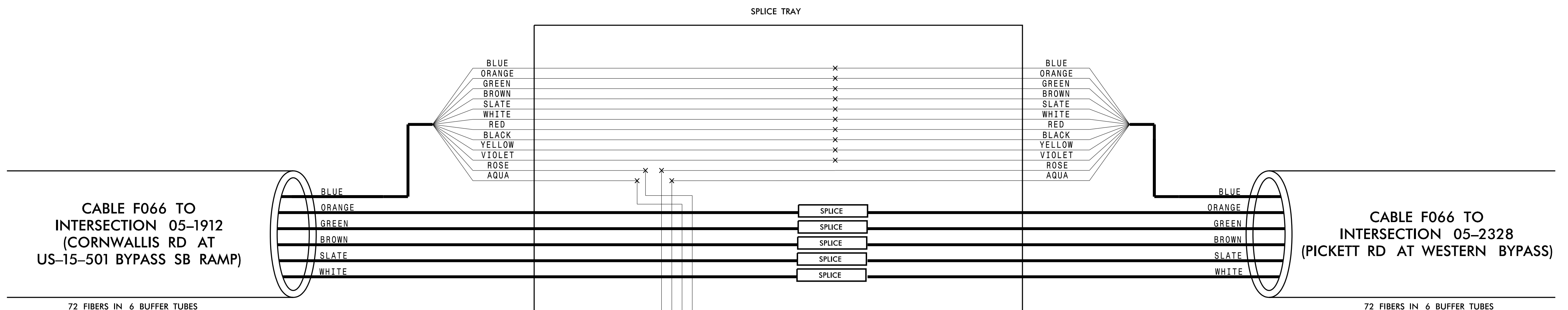
(1) BLUE	(7) RED
(2) ORANGE	(8) BLACK
(3) GREEN	(9) YELLOW
(4) BROWN	(10) VIOLET
(5) SLATE	(11) ROSE
(6) WHITE	(12) AQUA

LEGEND

X - FUSION SPLICE INDIVIDUAL FIBER
 O - EXISTING SPLICE
 □ - EXPRESS INDIVIDUAL FIBER

EXPRESS - EXPRESS ENTIRE BUFFER TUBE
 SPLICE - SPLICE ENTIRE BUFFER TUBE OR MAINTAIN IF EXISTING EXPRESSED

NOTES:
 1. FIBER INTERCONNECT CENTER RACKS ARE SCHEMATIC ONLY - ACTUAL EQUIPMENT FORM MAY VARY.
 2. ETHERNET SWITCH TERMINATION CONFIGURATIONS ARE GENERIC. CONTRACTOR IS RESPONSIBLE FOR DETERMINING /ENSURING PROPER TERMINATION.
 3. CONTRACTOR IS RESPONSIBLE FOR FIELD VERIFYING EXISTING SPlicing. THE CONTRACTOR SHALL COORDINATE WITH THE ENGINEER WHERE EXISTING SPlicing IS NOT AS EXPECTED.



CHANNEL C36

**CITY OF DURHAM COMPUTERIZED SIGNAL SYSTEM
SPLICE DETAIL**

	DIVISION 05 DURHAM COUNTY		
	PLAN DATE: DEC 2018	REVIEWED BY: N. MENGELKOCH	
PREPARED BY: KHA	REVIEWED BY: K. SMITH	REVISIONS	INIT. DATE
SCALE: 0		DATE: 12/19/2018	
Kimley»Horn NC License #F-0102 421 Fayetteville St., Suite 600 Raleigh, NC 27636 Tel: (919) 677-2000 Fax: (919) 677-2050		CADD Filename:	

12/17/2018 K:\ARL\TPTD\ITS\01036410 - Durham Signal System\Plans\Splicing\U-5968_ITS_spl.CH36_359_05-0274.dgn

**CHANNEL C36
SPLICE ENCLOSURE
(ERWIN RD AT RANDOLPH DR)
SIG ID 05-1802**

COLOR CODE TIA/EIA 598-C

(1) BLUE	(7) RED
(2) ORANGE	(8) BLACK
(3) GREEN	(9) YELLOW
(4) BROWN	(10) VIOLET
(5) SLATE	(11) ROSE
(6) WHITE	(12) AQUA

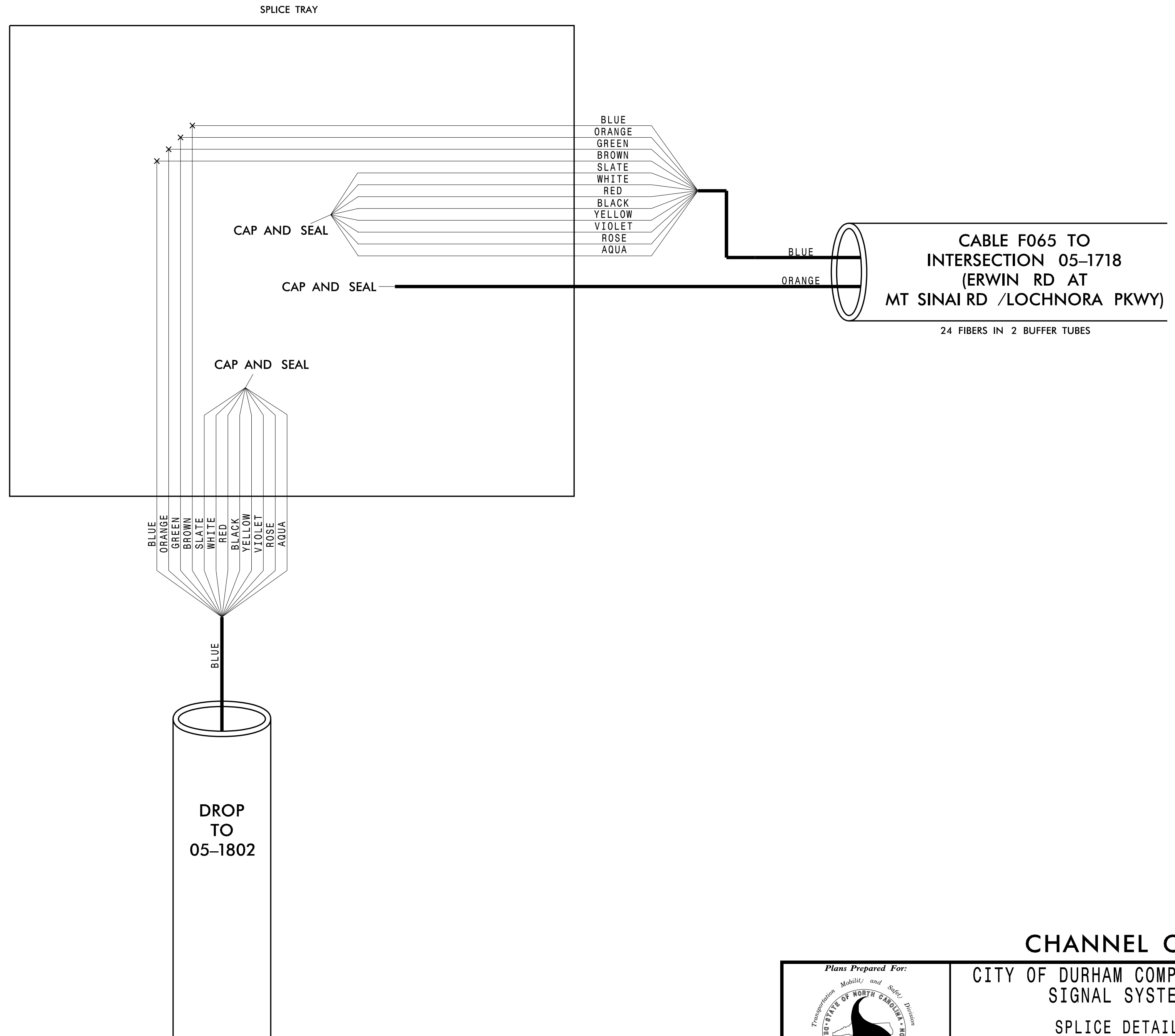
LEGEND

X - FUSION SPLICE INDIVIDUAL FIBER
 O - EXISTING SPLICE
 □ - EXPRESS INDIVIDUAL FIBER

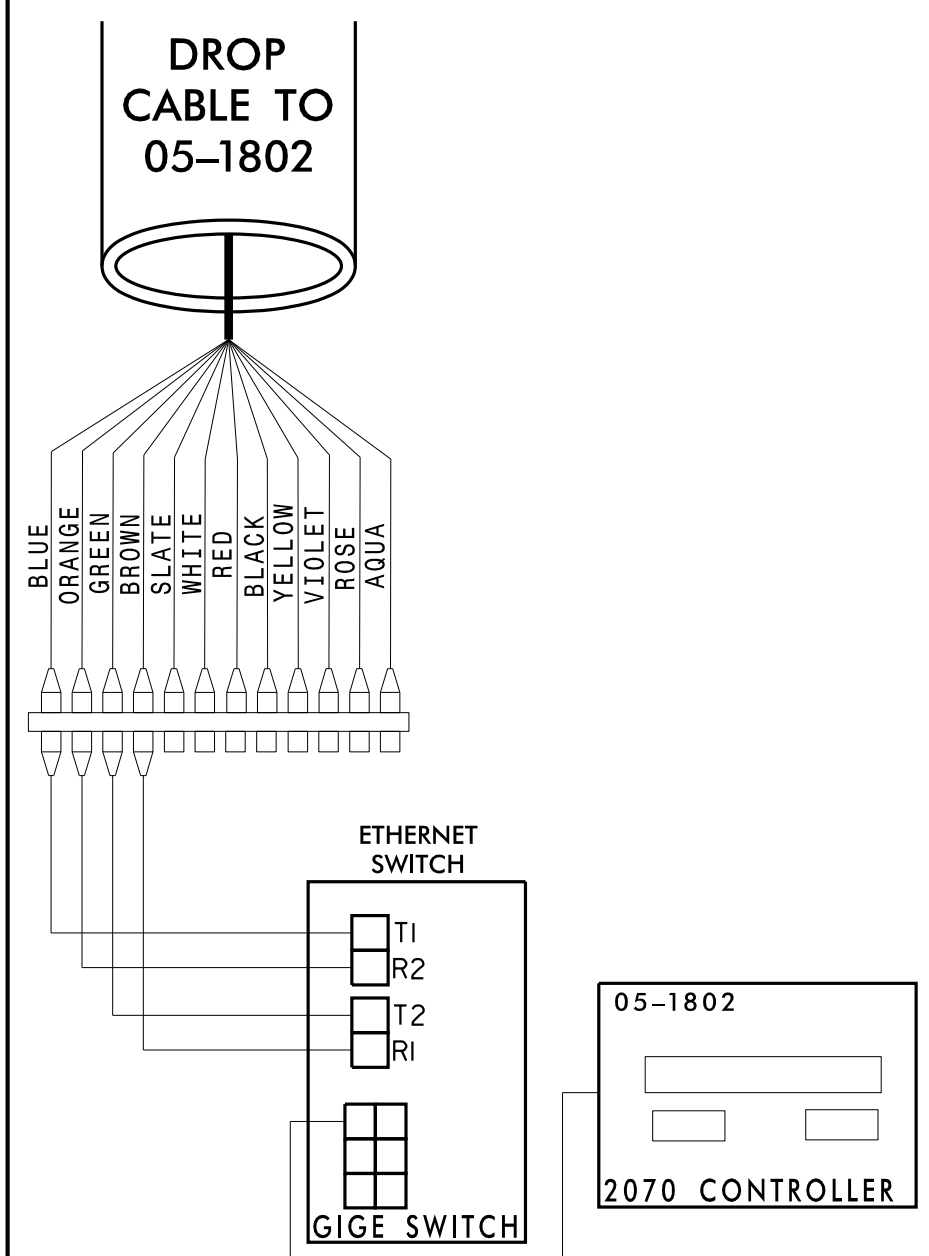
EXPRESS - EXPRESS ENTIRE BUFFER TUBE
 SPLICE - SPLICE ENTIRE BUFFER TUBE OR MAINTAIN IF EXISTING EXPRESSED

NOTES:

- FIBER INTERCONNECT CENTER RACKS ARE SCHEMATIC ONLY - ACTUAL EQUIPMENT FORM MAY VARY.
- ETHERNET SWITCH TERMINATION CONFIGURATIONS ARE GENERIC. CONTRACTOR IS RESPONSIBLE FOR DETERMINING /ENSURING PROPER TERMINATION.
- CONTRACTOR IS RESPONSIBLE FOR FIELD VERIFYING EXISTING SPlicing. THE CONTRACTOR SHALL COORDINATE WITH THE ENGINEER WHERE EXISTING SPlicing IS NOT AS EXPECTED.



CABINET AT INTERSECTION 05-1802



CHANNEL C36

**CITY OF DURHAM COMPUTERIZED
SIGNAL SYSTEM
SPLICE DETAIL**

	DIVISION 05 DURHAM COUNTY		
	PLAN DATE: DEC 2018	REVIEWED BY: N. MENGELKOCH	
PREPARED BY: KHA	REVIEWED BY: K. SMITH	REVISIONS	INIT. DATE
SCALE: 0		DocuSigned by: Kevin W. Smith 12/19/2018	

Kimley»Horn
 NC License #F-0102
 421 Fayetteville St., Suite 600
 Raleigh, NC 27636
 Tel: (919) 677-2000
 Fax: (919) 677-2050

12/17/2018 K:\ARL_TPTD_ITS\01036410 - Durham Signal System\Plans\Splicing\U-5968_ITS_spl.CH36_360_05-1802.dgn

**CHANNEL C36
 SPLICE ENCLOSURE
 (ERWIN RD AT
 MT SINAI RD /LOCHNORA PKWY)
 SIG ID 05-1718
 CCTV 2045**

COLOR CODE
 TIA/EIA 598-C

(1) BLUE	(7) RED
(2) ORANGE	(8) BLACK
(3) GREEN	(9) YELLOW
(4) BROWN	(10) VIOLET
(5) SLATE	(11) ROSE
(6) WHITE	(12) AQUA

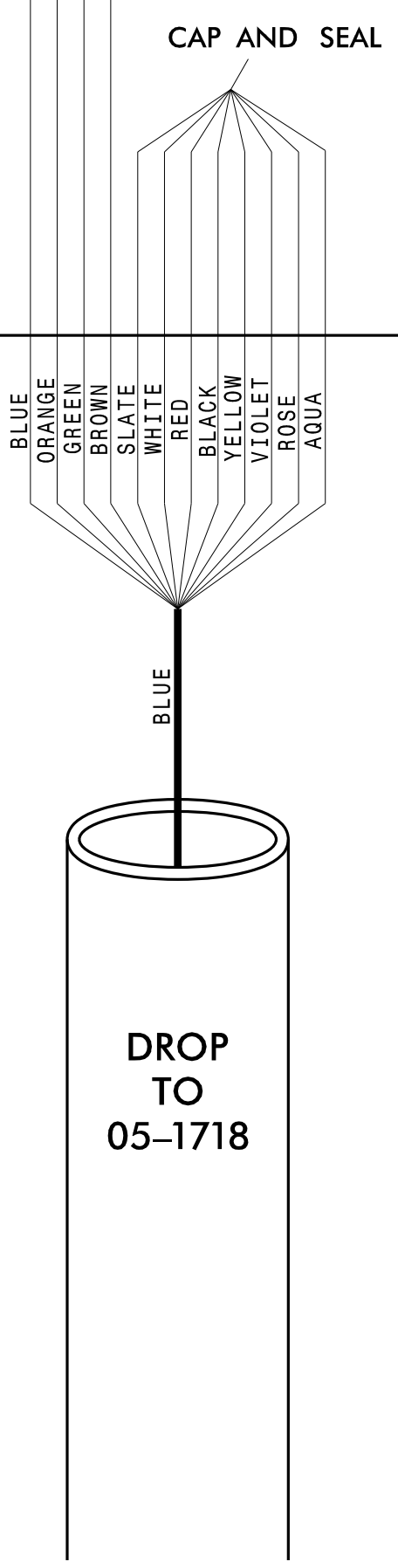
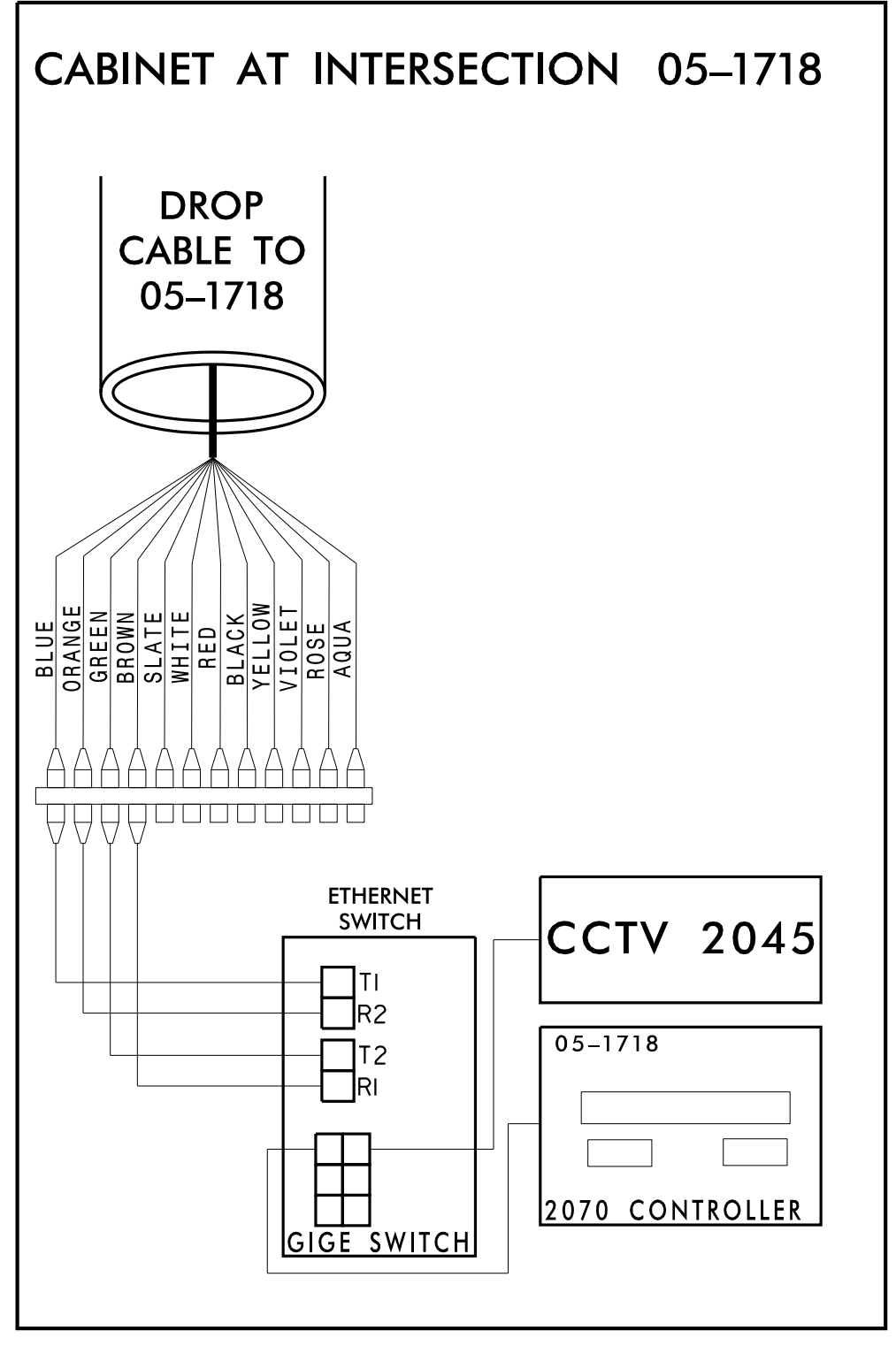
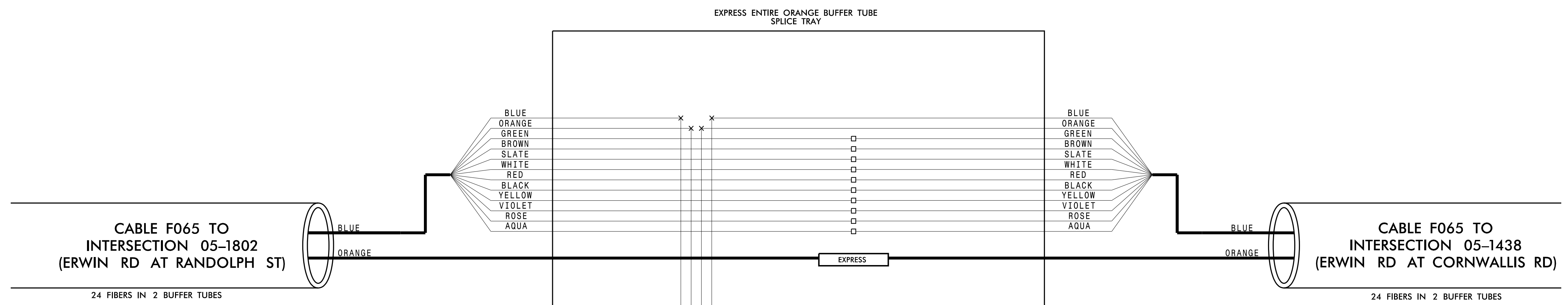
LEGEND

X - FUSION SPLICE INDIVIDUAL FIBER
 O - EXISTING SPLICE
 □ - EXPRESS INDIVIDUAL FIBER

EXPRESS - EXPRESS ENTIRE BUFFER TUBE
 SPLICE - SPLICE ENTIRE BUFFER TUBE OR MAINTAIN IF EXISTING EXPRESSED

NOTES:

- FIBER INTERCONNECT CENTER RACKS ARE SCHEMATIC ONLY - ACTUAL EQUIPMENT FORM MAY VARY.
- ETHERNET SWITCH TERMINATION CONFIGURATIONS ARE GENERIC. CONTRACTOR IS RESPONSIBLE FOR DETERMINING /ENSURING PROPER TERMINATION.
- CONTRACTOR IS RESPONSIBLE FOR FIELD VERIFYING EXISTING SPLICING. THE CONTRACTOR SHALL COORDINATE WITH THE ENGINEER WHERE EXISTING SPLICING IS NOT AS EXPECTED.



CHANNEL C36

CITY OF DURHAM COMPUTERIZED SIGNAL SYSTEM

SPLICE DETAIL

DIVISION 05 DURHAM COUNTY

PLAN DATE: DEC 2018 REVIEWED BY: N. MENGELKOCH

PREPARED BY: KHA REVIEWED BY: K. SMITH

REVISIONS	INIT.	DATE

Scale: 0

DocuSigned by: **Kevin W. Smith** 12/19/2018

SEAL: NORTH CAROLINA PROFESSIONAL ENGINEER KEVIN W. SMITH SEAL 030472

CADD Filename:

Kimley»Horn

NC License #F-0102
 421 Fayetteville St., Suite 600
 Raleigh, NC 27636
 Tel: (919) 677-2000
 Fax: (919) 677-2050

12/17/2018 K:\ARL_TPTD_ITS\01036410 - Durham Signal System\Plans\Splicing\U-5968_ITS_spl.CH36_361_05-1718.dgn