

**CHANNEL B21
SPLICE ENCLOSURE AT
(NC 55 AT CORNWALLIS RD)
SIG ID 05-0289**

COLOR CODE
TIA/EIA 598-C

(1) BLUE	(7) RED
(2) ORANGE	(8) BLACK
(3) GREEN	(9) YELLOW
(4) BROWN	(10) VIOLET
(5) SLATE	(11) ROSE
(6) WHITE	(12) AQUA

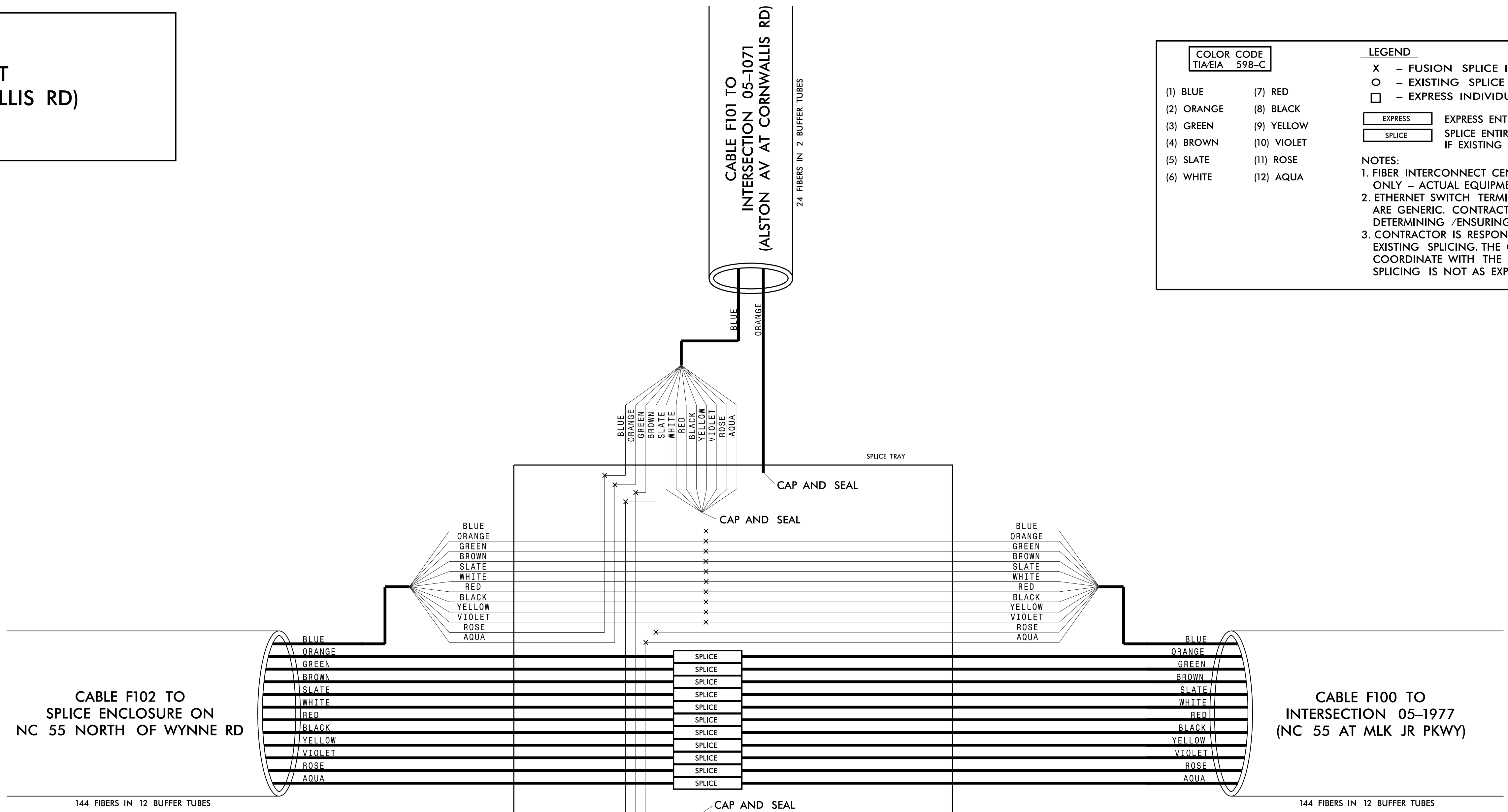
LEGEND

X - FUSION SPLICE INDIVIDUAL FIBER
 O - EXISTING SPLICE
 □ - EXPRESS INDIVIDUAL FIBER

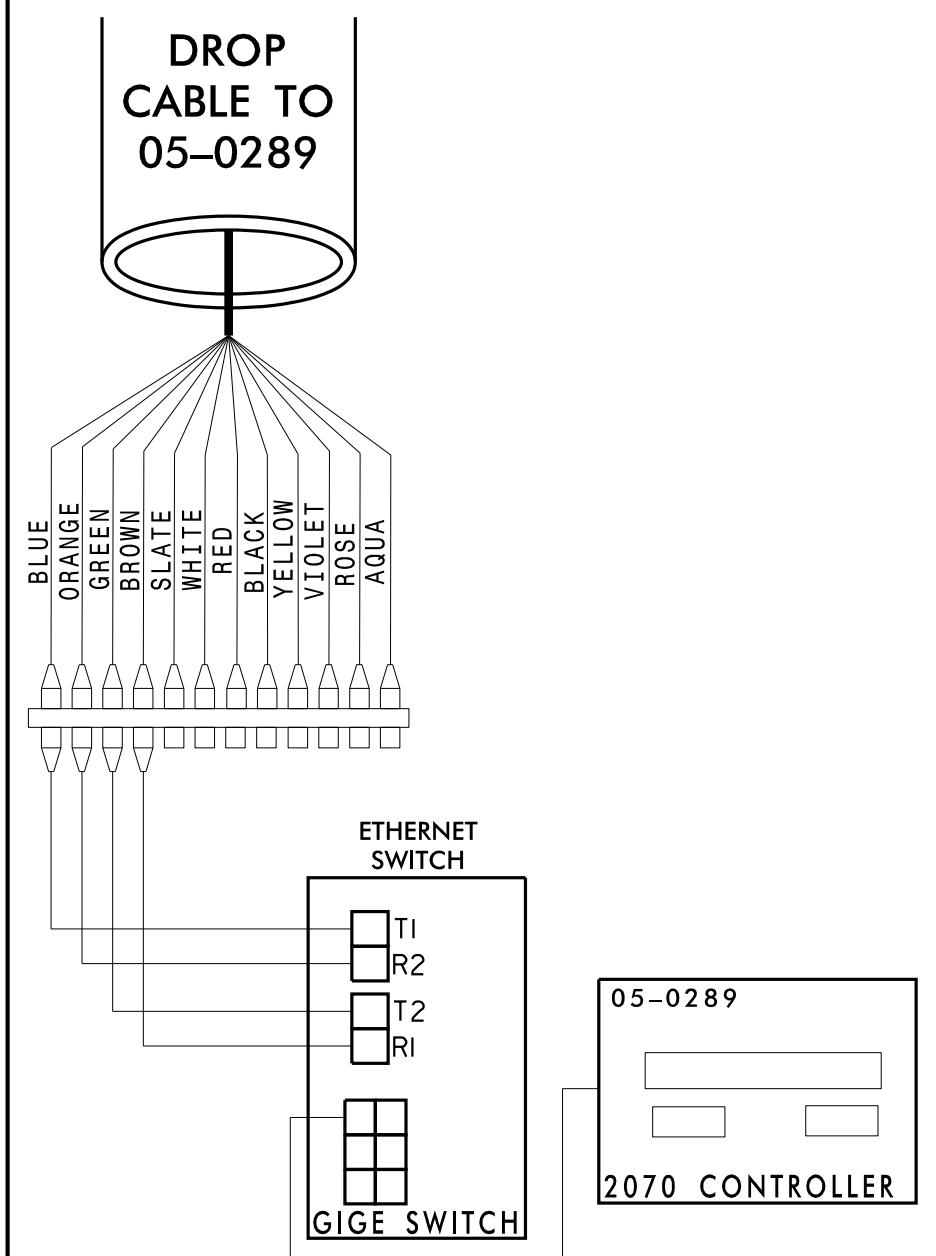
EXPRESS - EXPRESS ENTIRE BUFFER TUBE
 SPLICE - SPLICE ENTIRE BUFFER TUBE OR MAINTAIN IF EXISTING EXPRESSED

NOTES:

1. FIBER INTERCONNECT CENTER RACKS ARE SCHEMATIC ONLY - ACTUAL EQUIPMENT FORM MAY VARY.
2. ETHERNET SWITCH TERMINATION CONFIGURATIONS ARE GENERIC. CONTRACTOR IS RESPONSIBLE FOR DETERMINING /ENSURING PROPER TERMINATION.
3. CONTRACTOR IS RESPONSIBLE FOR FIELD VERIFYING EXISTING SPLICING. THE CONTRACTOR SHALL COORDINATE WITH THE ENGINEER WHERE EXISTING SPLICING IS NOT AS EXPECTED.



CABINET AT INTERSECTION 05-0289



CHANNEL B21

CITY OF DURHAM COMPUTERIZED SIGNAL SYSTEM

SPLICE DETAIL

DIVISION 05 DURHAM COUNTY

PLAN DATE: DEC 2018 REVIEWED BY: N. MENGELKOCH

PREPARED BY: KHA REVIEWED BY: K. SMITH

REVISIONS	INIT.	DATE

SCALE: 0

Seal: NORTH CAROLINA PROFESSIONAL ENGINEER KEVIN W. SMITH SEAL 030472

DocuSigned by: Kevin W. Smith 12/19/2018

CADD Filename:

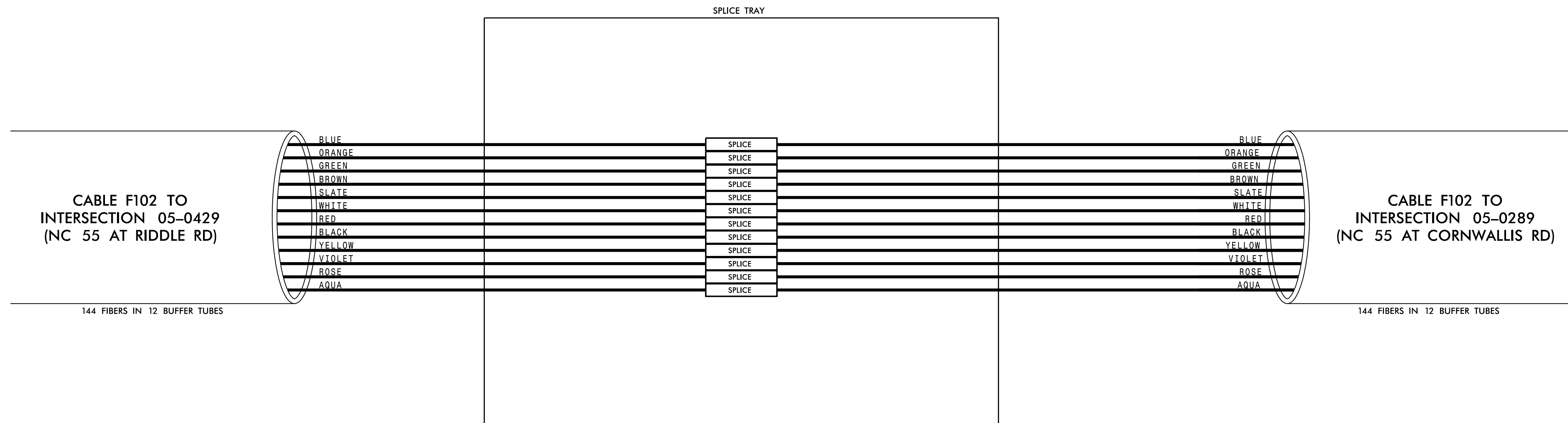
Kimley»Horn

NC License #F-0102
 421 Fayetteville St., Suite 600
 Raleigh, NC 27636
 Tel: (919) 677-2000
 Fax: (919) 677-2050

12/17/2018 K:\ARL_TPTD_ITS\01036410 - Durham Signal System\Plans\Splicing\U-5968_ITS_spl_CHB21_228-05-0289.dgn

**CHANNEL B21
SPlice ENCLOSURE ON NC 55
NORTH OF WYNNE RD**

COLOR CODE TIA/EIA 598-C		LEGEND	
(1) BLUE	(7) RED	X	- FUSION SPlice INDIVIDUAL FIBER
(2) ORANGE	(8) BLACK	O	- EXISTING SPlice
(3) GREEN	(9) YELLOW	□	- EXPRESS INDIVIDUAL FIBER
(4) BROWN	(10) VIOLET	EXPRESS	EXPRESS ENTIRE BUFFER TUBE
(5) SLATE	(11) ROSE	SPlice	SPlice ENTIRE BUFFER TUBE OR MAINTAIN IF EXISTING EXPRESSED
(6) WHITE	(12) AQUA	NOTES:	
1. FIBER INTERCONNECT CENTER RACKS ARE SCHEMATIC ONLY - ACTUAL EQUIPMENT FORM MAY VARY.			
2. ETHERNET SWITCH TERMINATION CONFIGURATIONS ARE GENERIC. CONTRACTOR IS RESPONSIBLE FOR DETERMINING /ENSURING PROPER TERMINATION.			
3. CONTRACTOR IS RESPONSIBLE FOR FIELD VERIFYING EXISTING SPlicing. THE CONTRACTOR SHALL COORDINATE WITH THE ENGINEER WHERE EXISTING SPlicing IS NOT AS EXPECTED.			



12/17/2018 K:\ARL_TPTD_ITS\0103640 - Durham Signal System\Plans\Splicing\U-5968_ITS_spl.CHB2L229_THROUGH_SPlice.dgn

CHANNEL B21

Kimley»Horn
 NC License #F-0102
 421 Fayetteville St., Suite 600
 Raleigh, NC 27636
 Tel: (919) 677-2000
 Fax: (919) 677-2050

	CITY OF DURHAM COMPUTERIZED SIGNAL SYSTEM SPlice DETAIL									
	DIVISION 05 DURHAM COUNTY PLAN DATE: DEC 2018 REVIEWED BY: N. MENGELKOCH PREPARED BY: KHA REVIEWED BY: K. SMITH									
SCALE 	REVISIONS <table border="1"> <tr> <th>NO.</th> <th>DATE</th> <th>INIT.</th> <th>DATE</th> </tr> <tr> <td> </td> <td> </td> <td> </td> <td> </td> </tr> </table>	NO.	DATE	INIT.	DATE					DocuSigned by: DATE: 12/19/2018 CADD Filename:
NO.	DATE	INIT.	DATE							

**CHANNEL B21
 SPLICE ENCLOSURE AT
 (NC 55 AT RIDDLE RD)
 SIG ID 05-0429
 CCTV 2019**

COLOR CODE
 TIA/EIA 598-C

(1) BLUE	(7) RED
(2) ORANGE	(8) BLACK
(3) GREEN	(9) YELLOW
(4) BROWN	(10) VIOLET
(5) SLATE	(11) ROSE
(6) WHITE	(12) AQUA

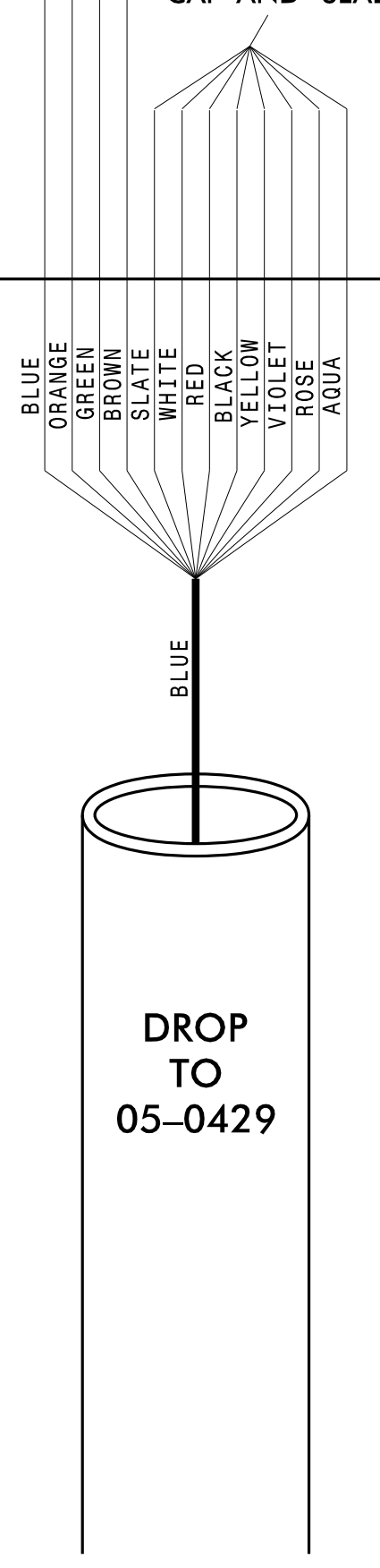
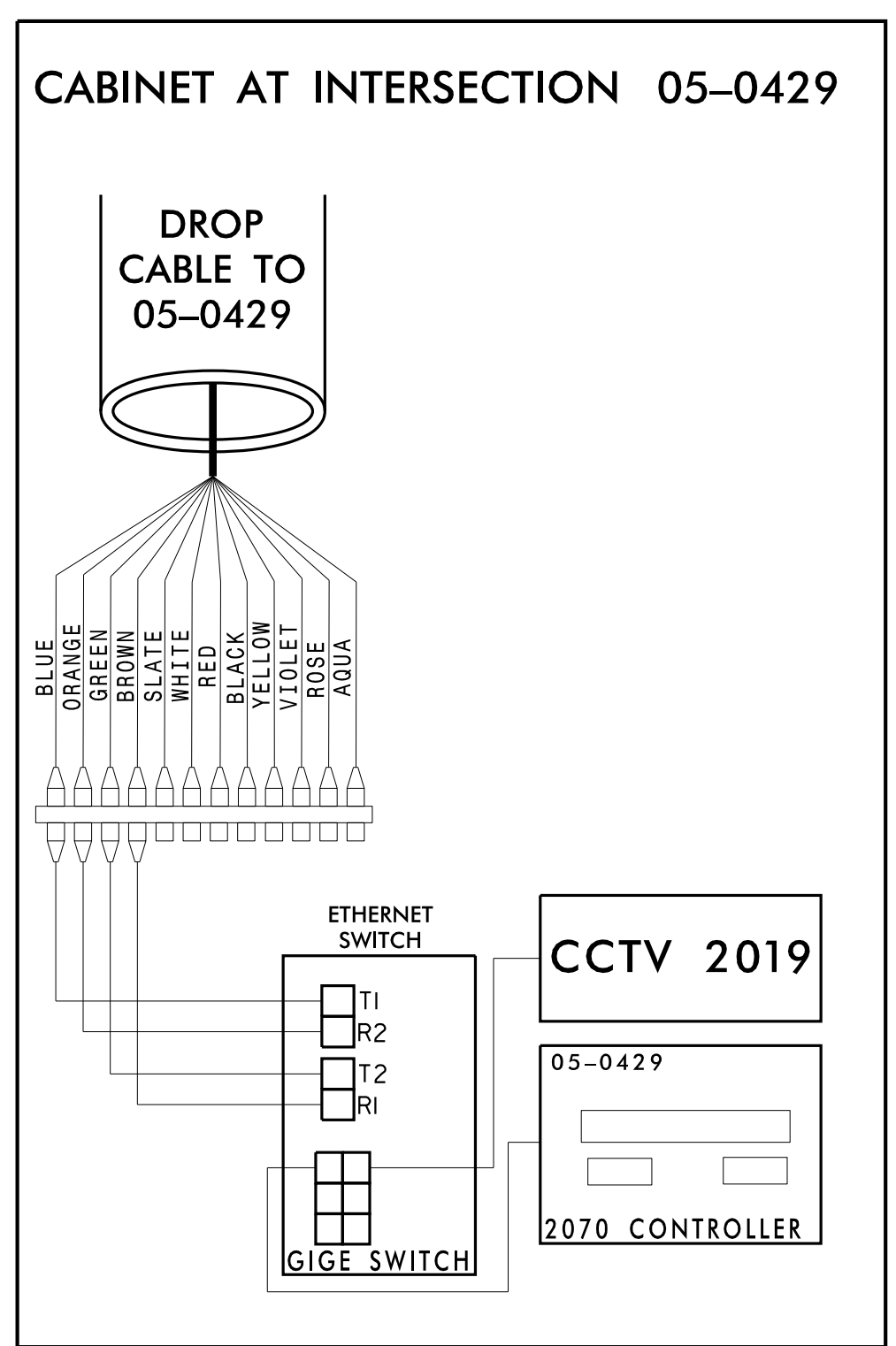
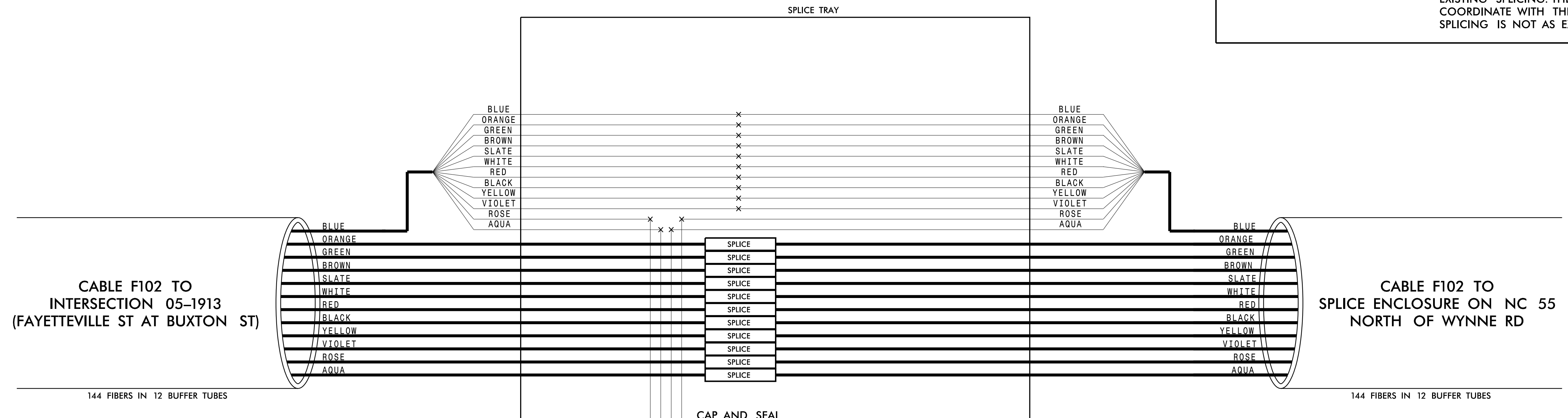
LEGEND

X - FUSION SPLICE INDIVIDUAL FIBER
 O - EXISTING SPLICE
 □ - EXPRESS INDIVIDUAL FIBER

EXPRESS - EXPRESS ENTIRE BUFFER TUBE
 SPLICE - SPLICE ENTIRE BUFFER TUBE OR MAINTAIN IF EXISTING EXPRESSED

NOTES:

- FIBER INTERCONNECT CENTER RACKS ARE SCHEMATIC ONLY - ACTUAL EQUIPMENT FORM MAY VARY.
- ETHERNET SWITCH TERMINATION CONFIGURATIONS ARE GENERIC. CONTRACTOR IS RESPONSIBLE FOR DETERMINING /ENSURING PROPER TERMINATION.
- CONTRACTOR IS RESPONSIBLE FOR FIELD VERIFYING EXISTING SPLICING. THE CONTRACTOR SHALL COORDINATE WITH THE ENGINEER WHERE EXISTING SPLICING IS NOT AS EXPECTED.



CHANNEL B21

CITY OF DURHAM COMPUTERIZED SIGNAL SYSTEM

SPLICE DETAIL

DIVISION 05 DURHAM COUNTY

PLAN DATE: DEC 2018 REVIEWED BY: N. MENDELKOCH

PREPARED BY: KHA REVIEWED BY: K. SMITH

REVISIONS	INIT.	DATE

SEAL

NORTH CAROLINA PROFESSIONAL ENGINEER

SEAL 030472

ENGINEER KEVIN W. SMITH

DocuSigned by: Kevin W. Smith 12/19/2018

SIGNATURE DATE

CADD Filename:

Kimley»Horn

NC License #F-0102
 421 Fayetteville St., Suite 600
 Raleigh, NC 27636
 Tel: (919) 677-2000
 Fax: (919) 677-2050

750 N. Greenfield Place, Garner, NC 27529

Scale: 0

12/17/2018 K:\ARL_TPTD_ITS\01036410 - Durham Signal System\Plans\Splicing\U-5968_ITS_spl_CHB21_230_05-0429.cdw