

**CHANNEL A07
SPLICE ENCLOSURE AT
(CHEEK RD AT US 70 WB RAMP)
SIG ID 05-1205**

COLOR CODE
TIA/EIA 598-C

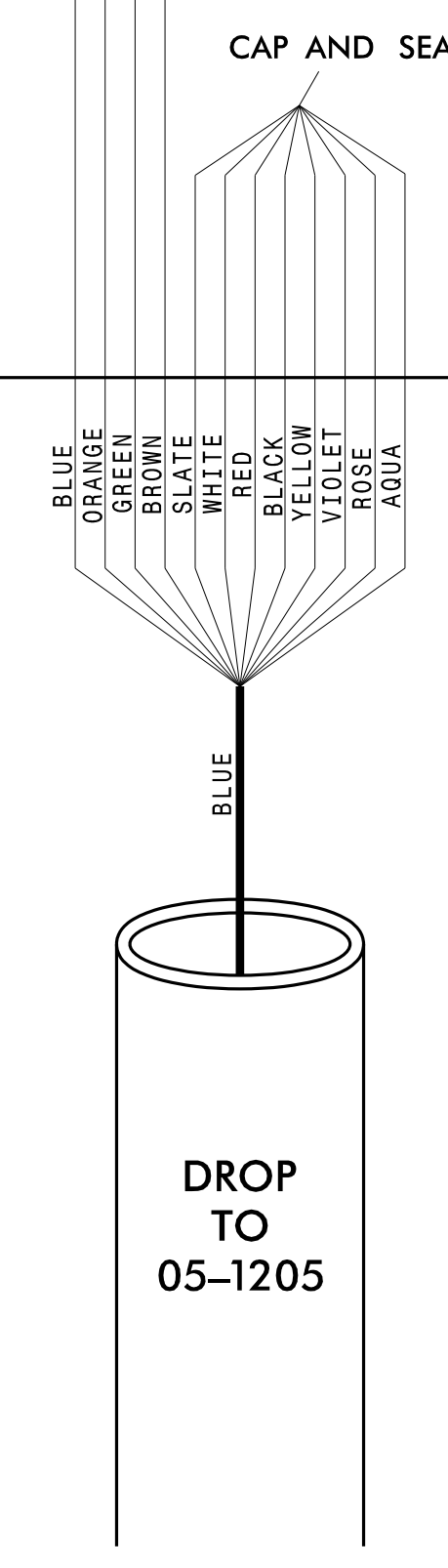
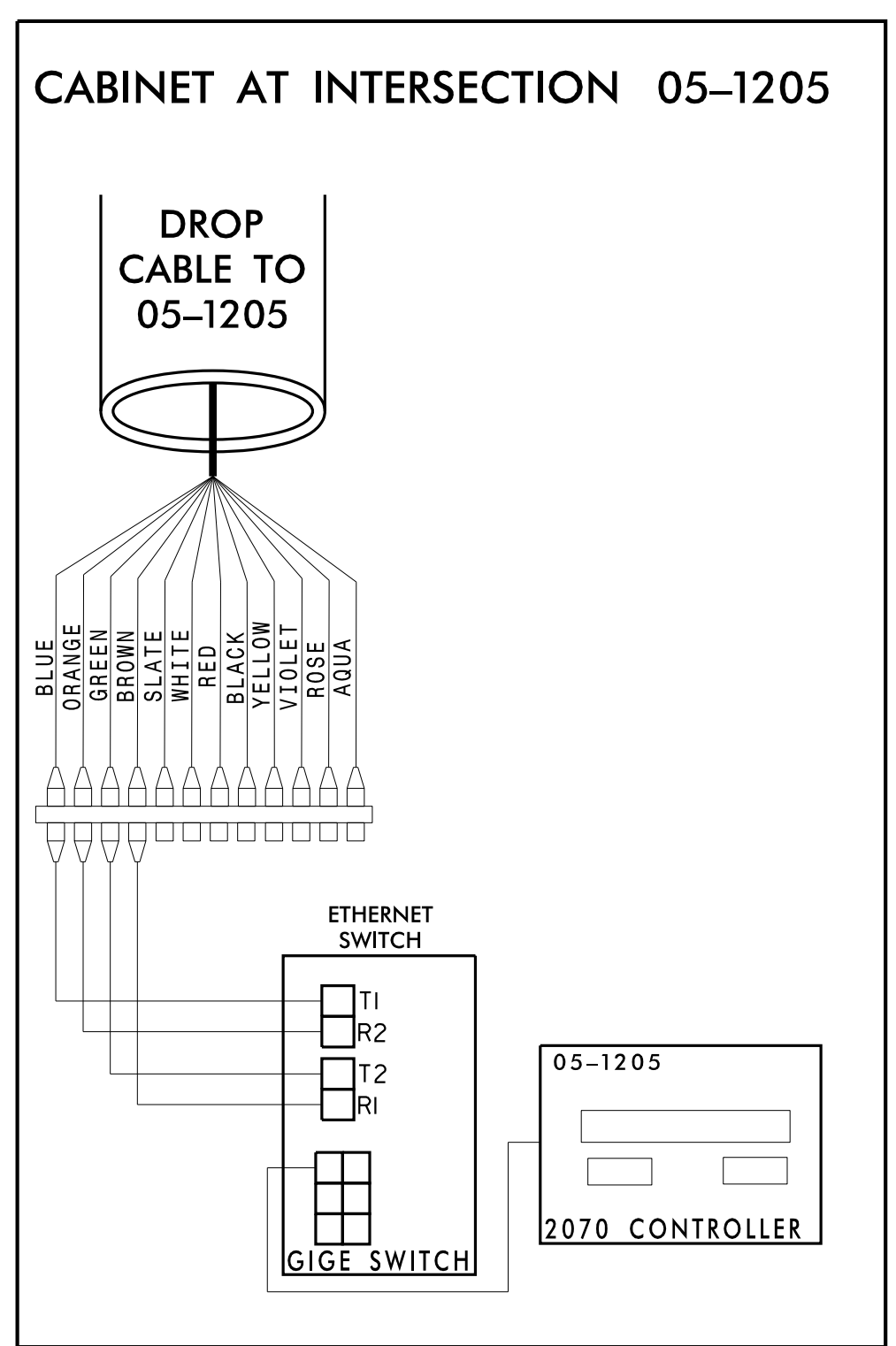
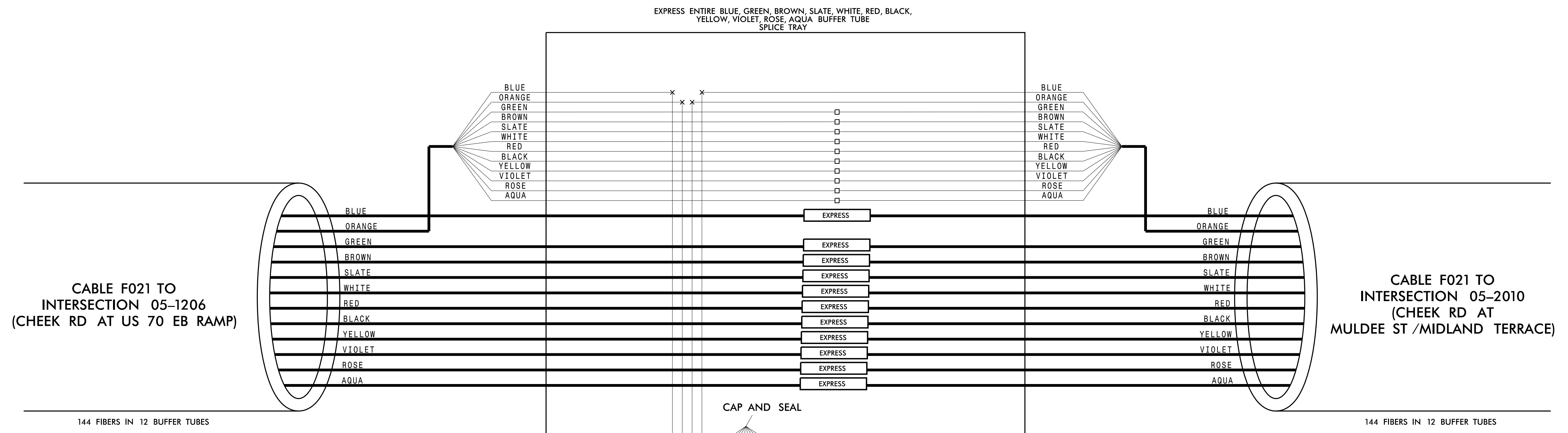
(1) BLUE	(7) RED
(2) ORANGE	(8) BLACK
(3) GREEN	(9) YELLOW
(4) BROWN	(10) VIOLET
(5) SLATE	(11) ROSE
(6) WHITE	(12) AQUA

LEGEND

X - FUSION SPLICE INDIVIDUAL FIBER
 O - EXISTING SPLICE
 □ - EXPRESS INDIVIDUAL FIBER

EXPRESS - EXPRESS ENTIRE BUFFER TUBE
 SPLICE - SPLICE ENTIRE BUFFER TUBE OR MAINTAIN IF EXISTING EXPRESSED

NOTES:
 1. FIBER INTERCONNECT CENTER RACKS ARE SCHEMATIC ONLY - ACTUAL EQUIPMENT FORM MAY VARY.
 2. ETHERNET SWITCH TERMINATION CONFIGURATIONS ARE GENERIC. CONTRACTOR IS RESPONSIBLE FOR DETERMINING /ENSURING PROPER TERMINATION.
 3. CONTRACTOR IS RESPONSIBLE FOR FIELD VERIFYING EXISTING SPLICING. THE CONTRACTOR SHALL COORDINATE WITH THE ENGINEER WHERE EXISTING SPLICING IS NOT AS EXPECTED.



CHANNEL A07

CITY OF DURHAM COMPUTERIZED SIGNAL SYSTEM
SPLICE DETAIL

DIVISION 05 DURHAM COUNTY

PLAN DATE: DEC 2018 REVIEWED BY: N. MENGELKOCH
 PREPARED BY: KHA REVIEWED BY: K. SMITH

REVISIONS	INIT.	DATE

SCALE: 0

Kimley»Horn
 NC License #F-0102
 421 Fayetteville St., Suite 600
 Raleigh, NC 27636
 Tel: (919) 677-2000
 Fax: (919) 677-2050

Seal: NORTH CAROLINA PROFESSIONAL ENGINEER KEVIN W. SMITH SEAL 030472

Documented by: KEVIN W. SMITH 12/19/2018
 CADD Filename:

12/17/2018 K:\ARL_TPTD_LITS\01036410 - Durham Signal System\Plans\Splicing\U-5968 - ITS_spl_CHA07_095_05-1205.dgn

**CHANNEL A07
SPLICE ENCLOSURE AT
(CHEEK RD AT
MULDEE ST /MIDLAND TERRACE)
SIG ID 05-2010**

COLOR CODE TIA/EIA 598-C

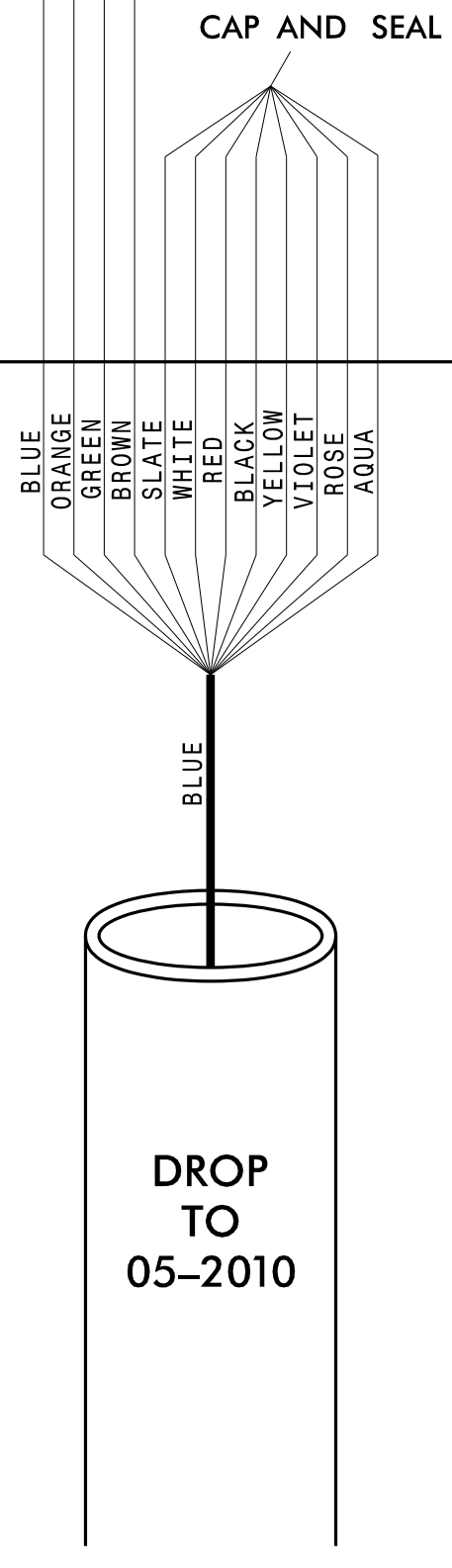
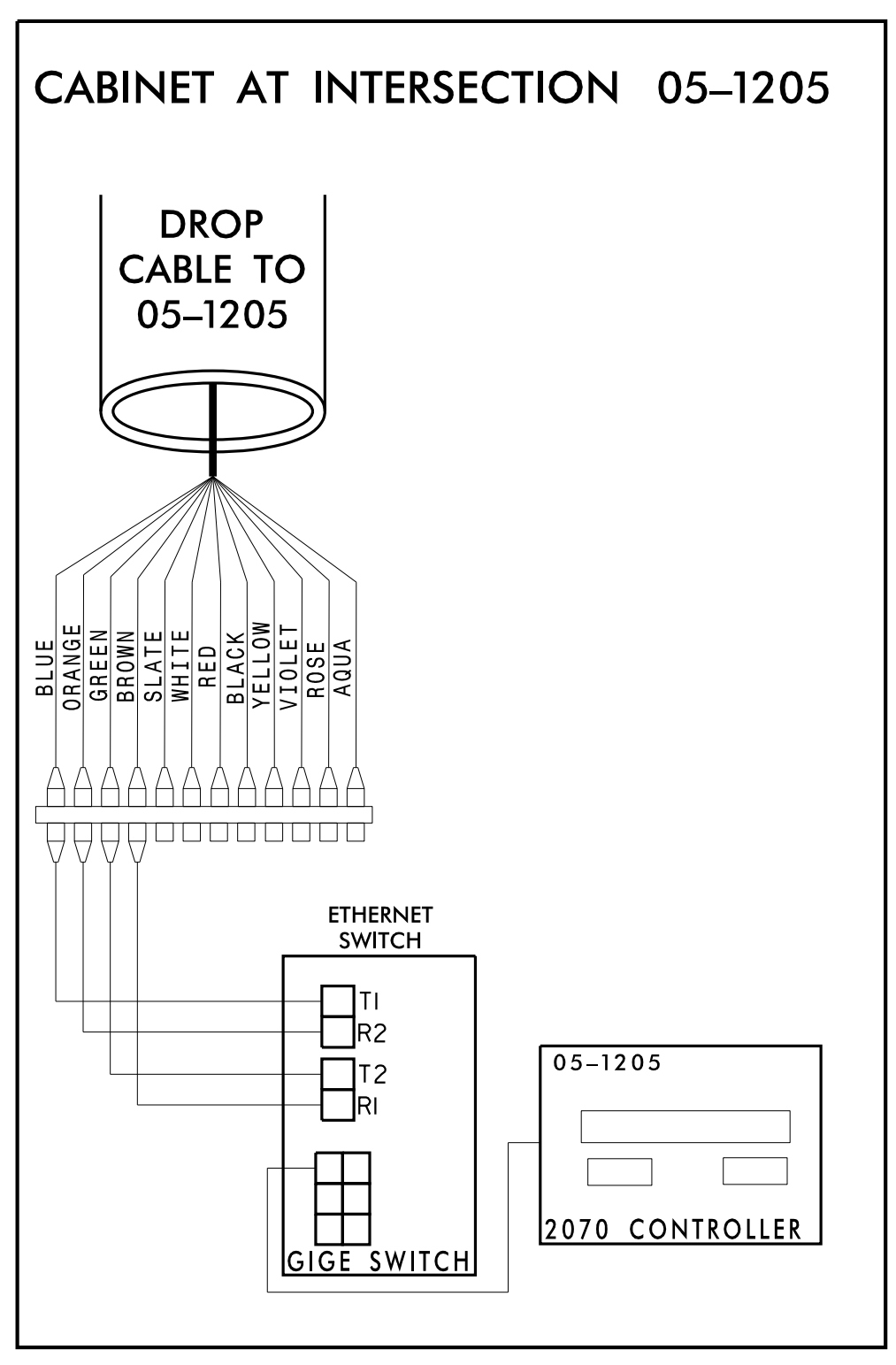
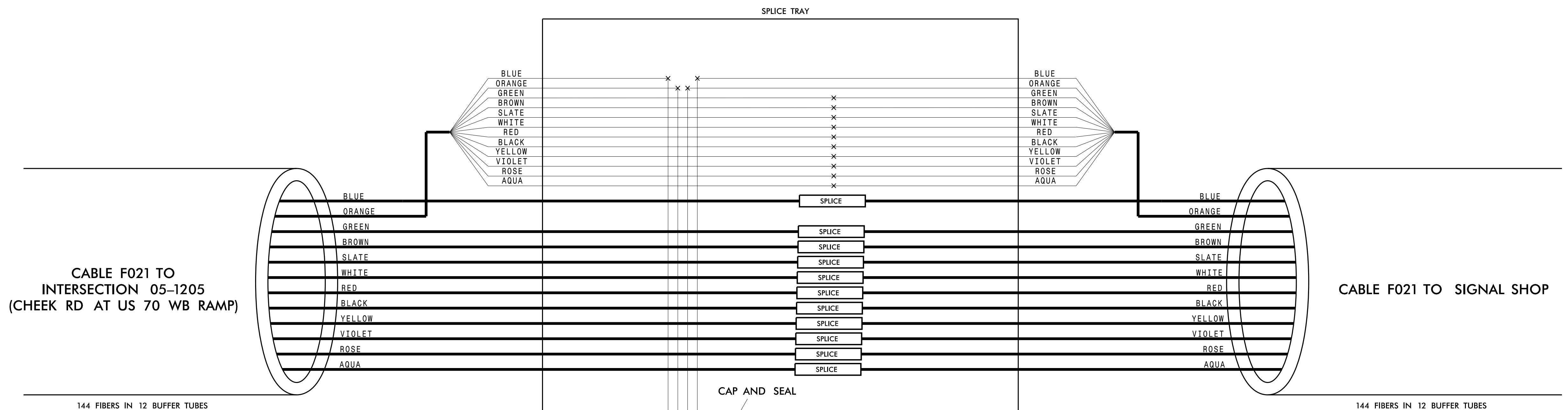
(1) BLUE	(7) RED
(2) ORANGE	(8) BLACK
(3) GREEN	(9) YELLOW
(4) BROWN	(10) VIOLET
(5) SLATE	(11) ROSE
(6) WHITE	(12) AQUA

LEGEND

X - FUSION SPLICE INDIVIDUAL FIBER
 O - EXISTING SPLICE
 □ - EXPRESS INDIVIDUAL FIBER

EXPRESS - EXPRESS ENTIRE BUFFER TUBE
 SPLICE - SPLICE ENTIRE BUFFER TUBE OR MAINTAIN IF EXISTING EXPRESSED

NOTES:
 1. FIBER INTERCONNECT CENTER RACKS ARE SCHEMATIC ONLY - ACTUAL EQUIPMENT FORM MAY VARY.
 2. ETHERNET SWITCH TERMINATION CONFIGURATIONS ARE GENERIC. CONTRACTOR IS RESPONSIBLE FOR DETERMINING /ENSURING PROPER TERMINATION.
 3. CONTRACTOR IS RESPONSIBLE FOR FIELD VERIFYING EXISTING SPLICING. THE CONTRACTOR SHALL COORDINATE WITH THE ENGINEER WHERE EXISTING SPLICING IS NOT AS EXPECTED.



**CHANNEL A07
CITY OF DURHAM COMPUTERIZED
SIGNAL SYSTEM
SPLICE DETAIL**

Division 05 DURHAM COUNTY

PLAN DATE: DEC 2018 REVIEWED BY: N. MENGELKOCH

PREPARED BY: KHA REVIEWED BY: K. SMITH

REVISIONS	INIT.	DATE

SCALE: 0

Kimley»Horn
 NC License #F-0102
 421 Fayetteville St., Suite 600
 Raleigh, NC 27636
 Tel: (919) 677-2000
 Fax: (919) 677-2050

Seal: NORTH CAROLINA PROFESSIONAL ENGINEER KEVIN W. SMITH SEAL 030472

Documented by: Kevin Smith 12/19/2018

CADD Filename:

12/17/2018 K:\ARL_TPTD_ITS\01036410 - Durham Signal System\Plans\Splicing\U-5968_ITS_spl_CHA07_096_05-2010.dgn

**CHANNEL A08
SPlice ENCLOSURE AT
(GUESS RD AT ALBANY ST)
SIG ID 05-1867**

COLOR CODE
TIA/EIA 598-C

(1) BLUE	(7) RED
(2) ORANGE	(8) BLACK
(3) GREEN	(9) YELLOW
(4) BROWN	(10) VIOLET
(5) SLATE	(11) ROSE
(6) WHITE	(12) AQUA

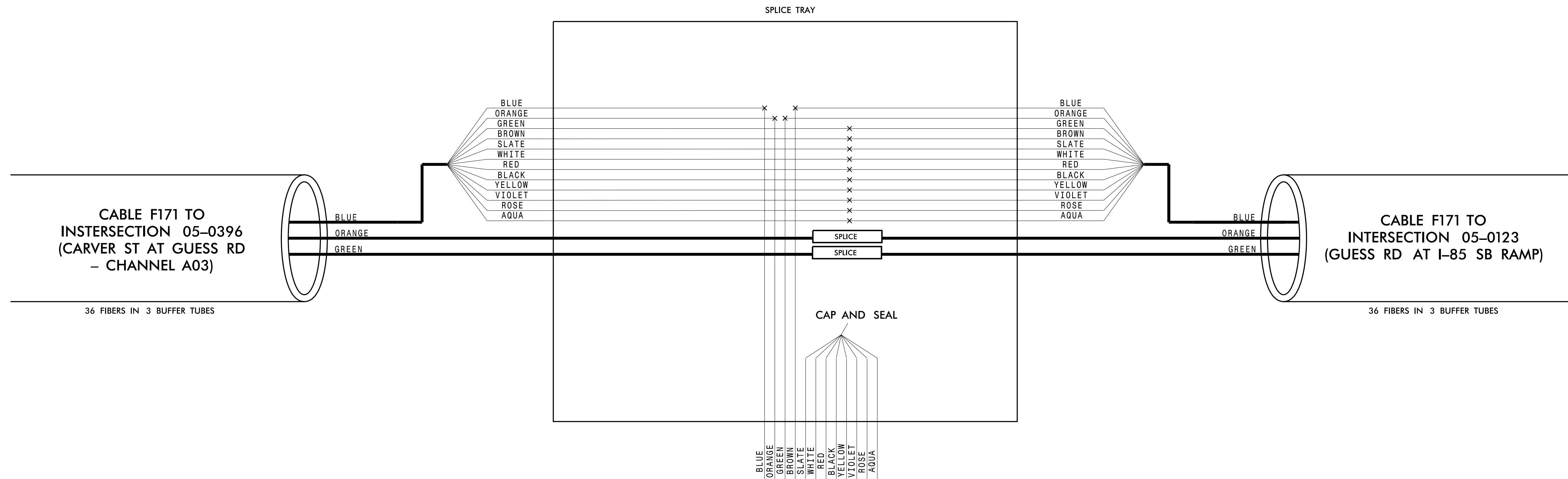
LEGEND

X - FUSION SPlice INDIVIDUAL FIBER
 O - EXISTING SPlice
 □ - EXPRESS INDIVIDUAL FIBER

EXPRESS - EXPRESS ENTIRE BUFFER TUBE
 SPlice - SPlice ENTIRE BUFFER TUBE OR MAINTAIN IF EXISTING EXPRESSED

NOTES:

1. FIBER INTERCONNECT CENTER RACKS ARE SCHEMATIC ONLY - ACTUAL EQUIPMENT FORM MAY VARY.
2. ETHERNET SWITCH TERMINATION CONFIGURATIONS ARE GENERIC. CONTRACTOR IS RESPONSIBLE FOR DETERMINING /ENSURING PROPER TERMINATION.
3. CONTRACTOR IS RESPONSIBLE FOR FIELD VERIFYING EXISTING SPlicing. THE CONTRACTOR SHALL COORDINATE WITH THE ENGINEER WHERE EXISTING SPlicing IS NOT AS EXPECTED.

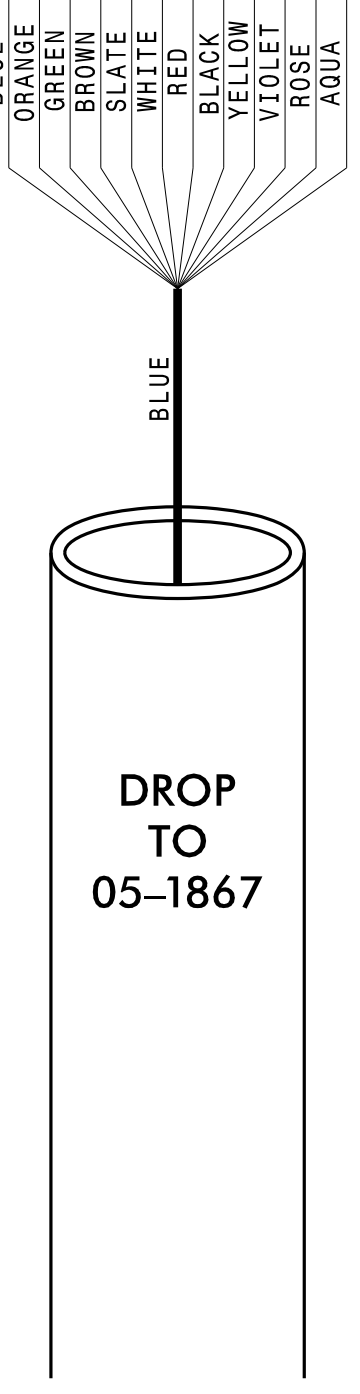
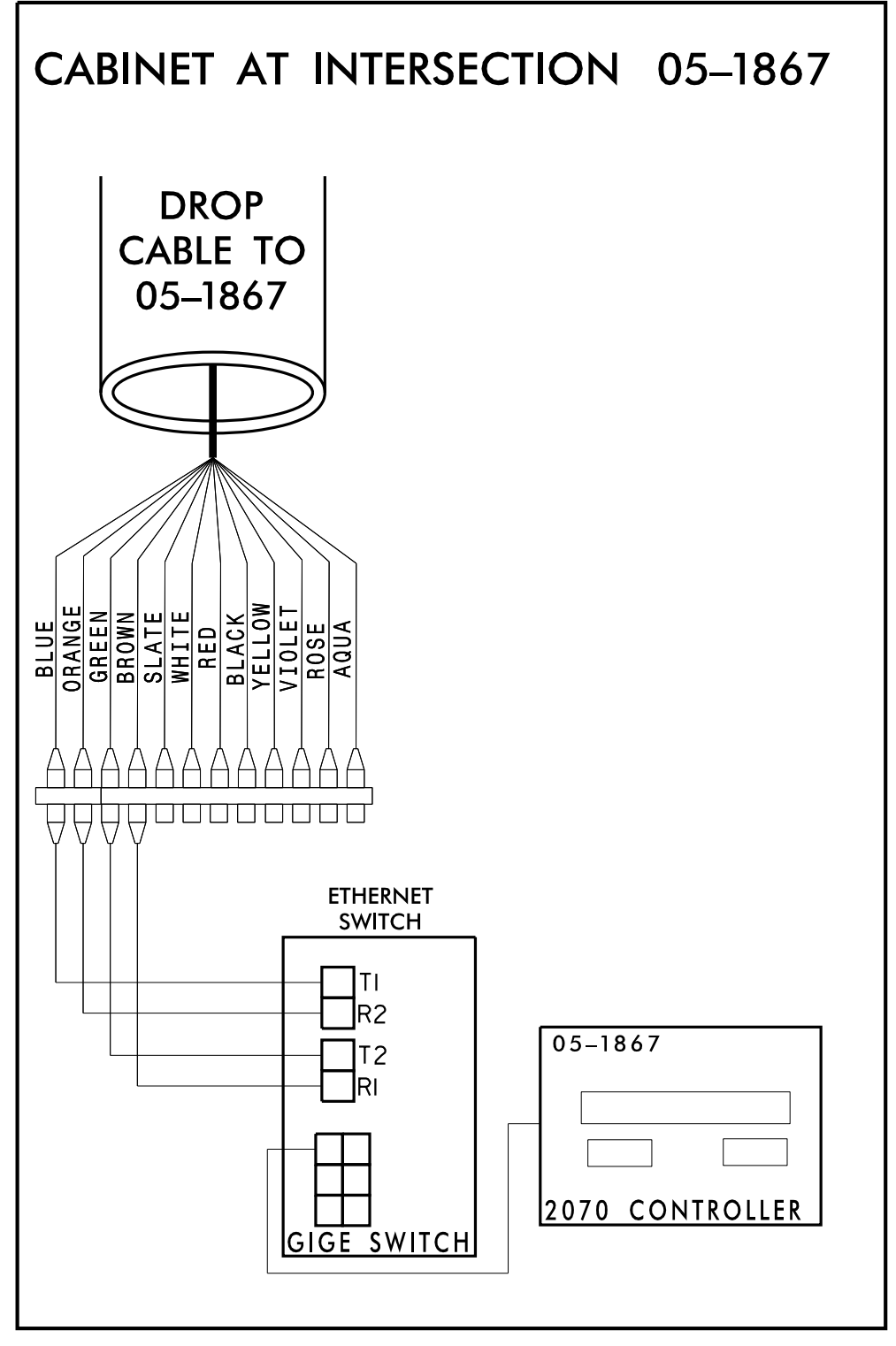


CABLE F171 TO
INTERSECTION 05-0396
(CARVER ST AT GUESS RD
- CHANNEL A03)

CABLE F171 TO
INTERSECTION 05-0123
(GUESS RD AT I-85 SB RAMP)

36 FIBERS IN 3 BUFFER TUBES

36 FIBERS IN 3 BUFFER TUBES



CHANNEL A08

CITY OF DURHAM COMPUTERIZED SIGNAL SYSTEM

SPlice DETAIL

DIVISION 05		DURHAM COUNTY	
PLAN DATE: DEC 2018	REVIEWED BY: N. MENGELKOCH	PREPARED BY: KHA	REVIEWED BY: K. SMITH
REVISIONS	INIT.	DATE	

SEAL
NORTH CAROLINA PROFESSIONAL ENGINEER
KEVIN W. SMITH
SEAL 030472

DocuSigned by:
Kevin W. Smith 12/19/2018
SIGNATURE DATE

CADD Filename:

Kimley»Horn

NC License #F-0102
421 Fayetteville St., Suite 600
Raleigh, NC 27636
Tel: (919) 677-2000
Fax: (919) 677-2050

12/17/2018 K:\ARL_TPTD_ITS\01036410 - Durham Signal System\Plans\Splicing\U-5968_ITS_spl_CHA08_097_05-1867.dgn