

**CHANNEL A11**  
**SPLICE ENCLOSURE AT**  
**(DUKE ST AT MORGAN ST)**  
**SIG ID 05-1012 (DUKE ST AT MORGAN ST)**  
**SIG ID 05-0238 (DUKE ST AT CORPORATION ST)**

**COLOR CODE**  
TIA/EIA 598-C

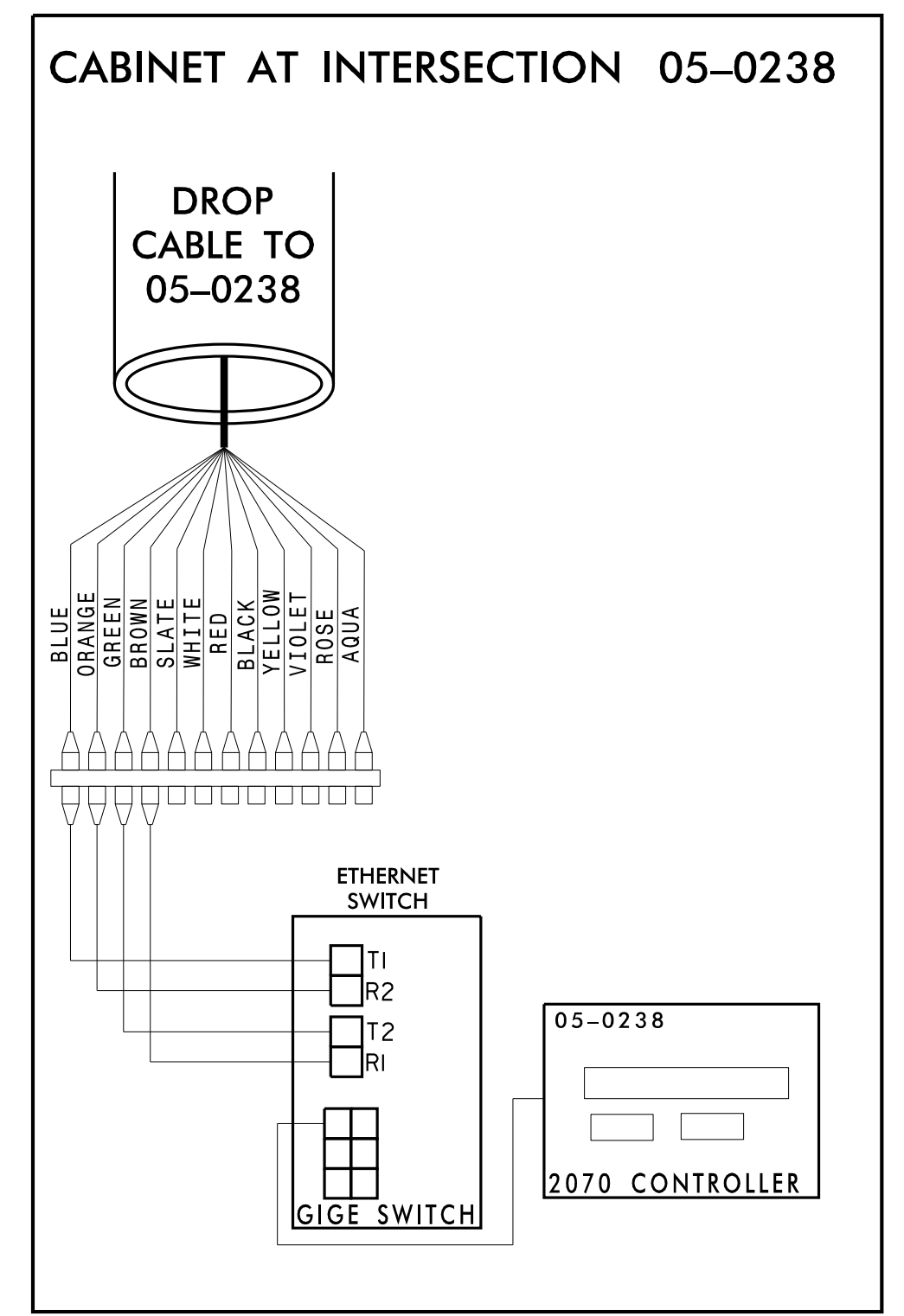
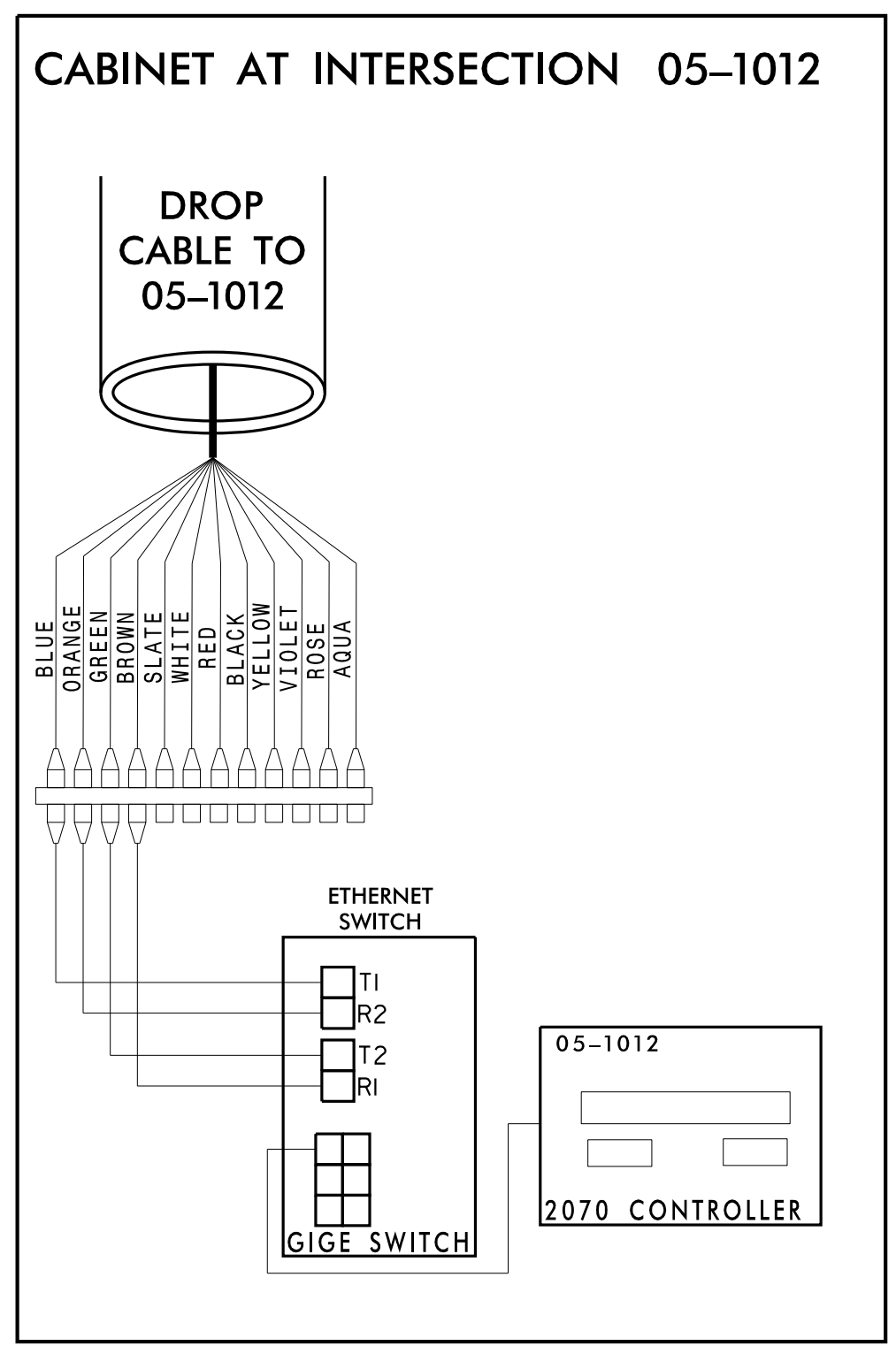
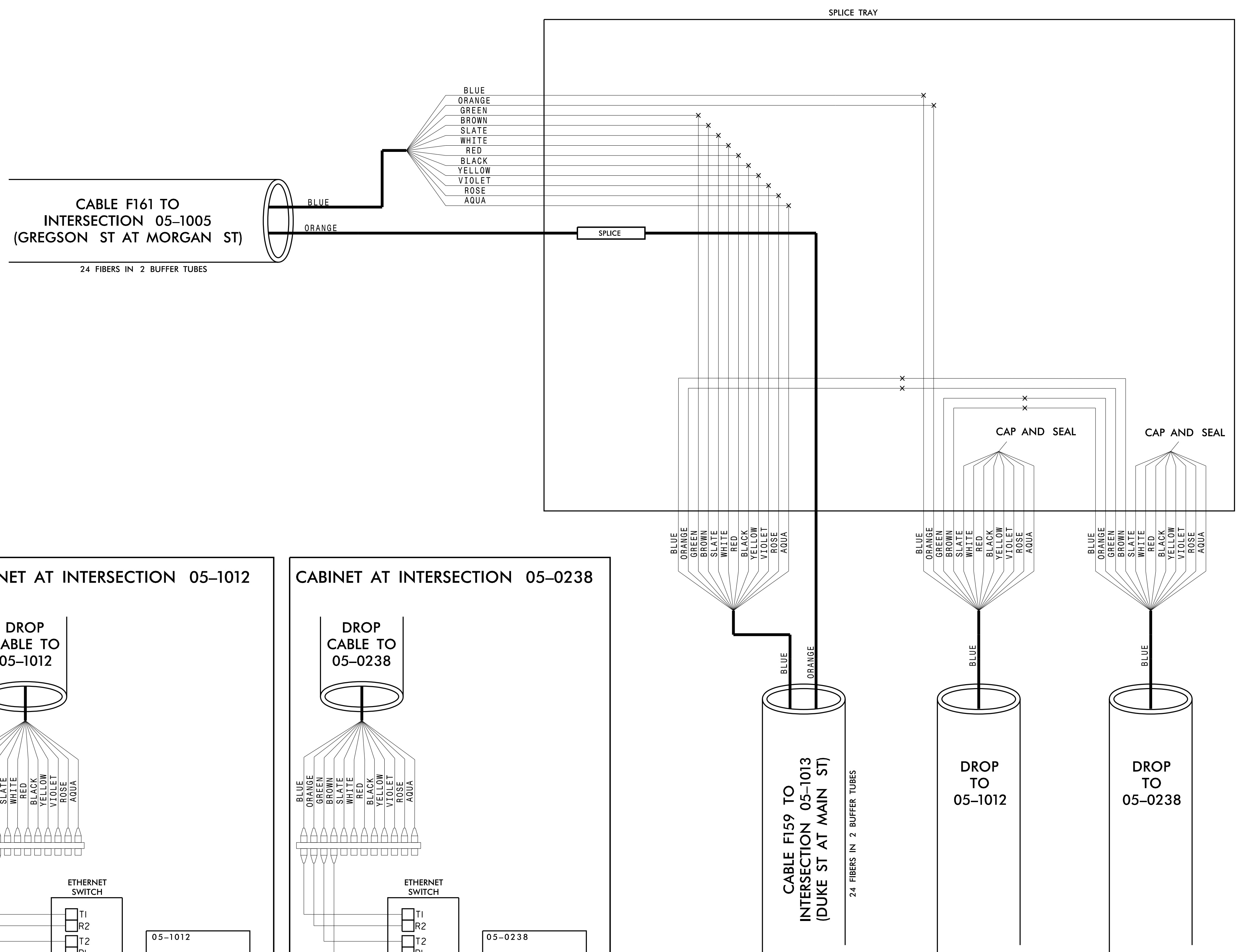
(1) BLUE	(7) RED
(2) ORANGE	(8) BLACK
(3) GREEN	(9) YELLOW
(4) BROWN	(10) VIOLET
(5) SLATE	(11) ROSE
(6) WHITE	(12) AQUA

**LEGEND**

X - FUSION SPLICE INDIVIDUAL FIBER  
 O - EXISTING SPLICE  
 □ - EXPRESS INDIVIDUAL FIBER

EXPRESS - EXPRESS ENTIRE BUFFER TUBE  
 SPLICE - SPLICE ENTIRE BUFFER TUBE OR MAINTAIN IF EXISTING EXPRESSED

**NOTES:**  
 1. FIBER INTERCONNECT CENTER RACKS ARE SCHEMATIC ONLY - ACTUAL EQUIPMENT FORM MAY VARY.  
 2. ETHERNET SWITCH TERMINATION CONFIGURATIONS ARE GENERIC. CONTRACTOR IS RESPONSIBLE FOR DETERMINING /ENSURING PROPER TERMINATION.  
 3. CONTRACTOR IS RESPONSIBLE FOR FIELD VERIFYING EXISTING SPLICING. THE CONTRACTOR SHALL COORDINATE WITH THE ENGINEER WHERE EXISTING SPLICING IS NOT AS EXPECTED.



**CHANNEL A11**  
**CITY OF DURHAM COMPUTERIZED SIGNAL SYSTEM**  
**SPLICE DETAIL**

Division 05 DURHAM COUNTY  
 PLAN DATE: DEC 2018 REVIEWED BY: N. MENGELKOCH  
 PREPARED BY: KHA REVIEWED BY: K. SMITH

Kimley»Horn  
 NC License #F-0102  
 421 Fayetteville St., Suite 600  
 Raleigh, NC 27636  
 Tel: (919) 677-2000  
 Fax: (919) 677-2050

SCALE: 0

REVISIONS: INIT. DATE

Seal: NORTH CAROLINA PROFESSIONAL ENGINEER KEVIN W. SMITH SEAL 030472  
 Documented by: Kevin Smith 12/19/2018  
 CADD Filename:

12/17/2018 K:\ARL\_TPTD\_ITS\0103640 - Durham Signal System\Plans\Splicing\U-5968\_ITS\_spl.CHAN\135\_05-1012.dgn

**CHANNEL A11  
SPICE ENCLOSURE AT  
(DUKE ST AT MAIN ST)  
SIG ID 05-1013**

**COLOR CODE**  
TIA/EIA 598-C

(1) BLUE	(7) RED
(2) ORANGE	(8) BLACK
(3) GREEN	(9) YELLOW
(4) BROWN	(10) VIOLET
(5) SLATE	(11) ROSE
(6) WHITE	(12) AQUA

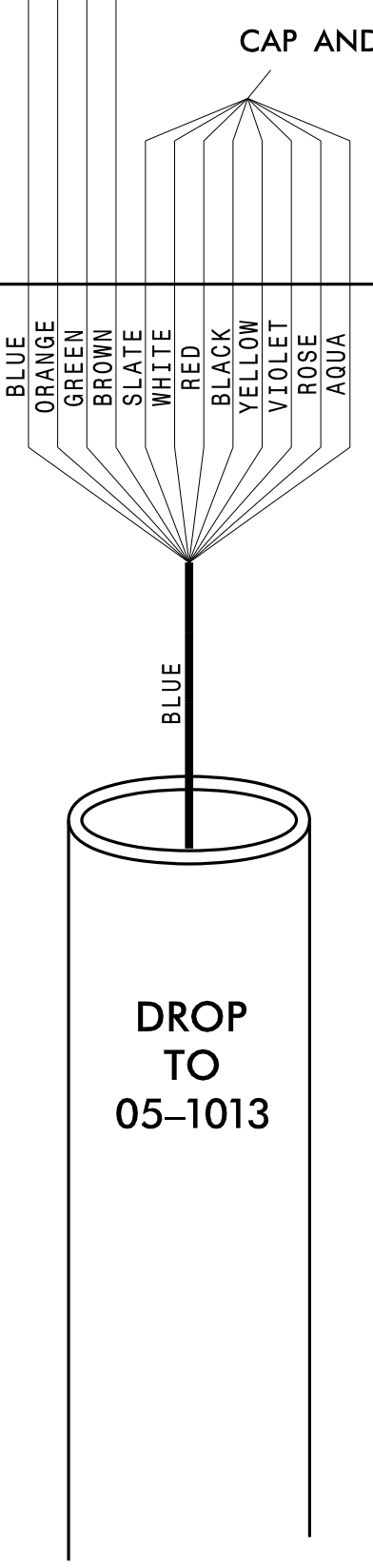
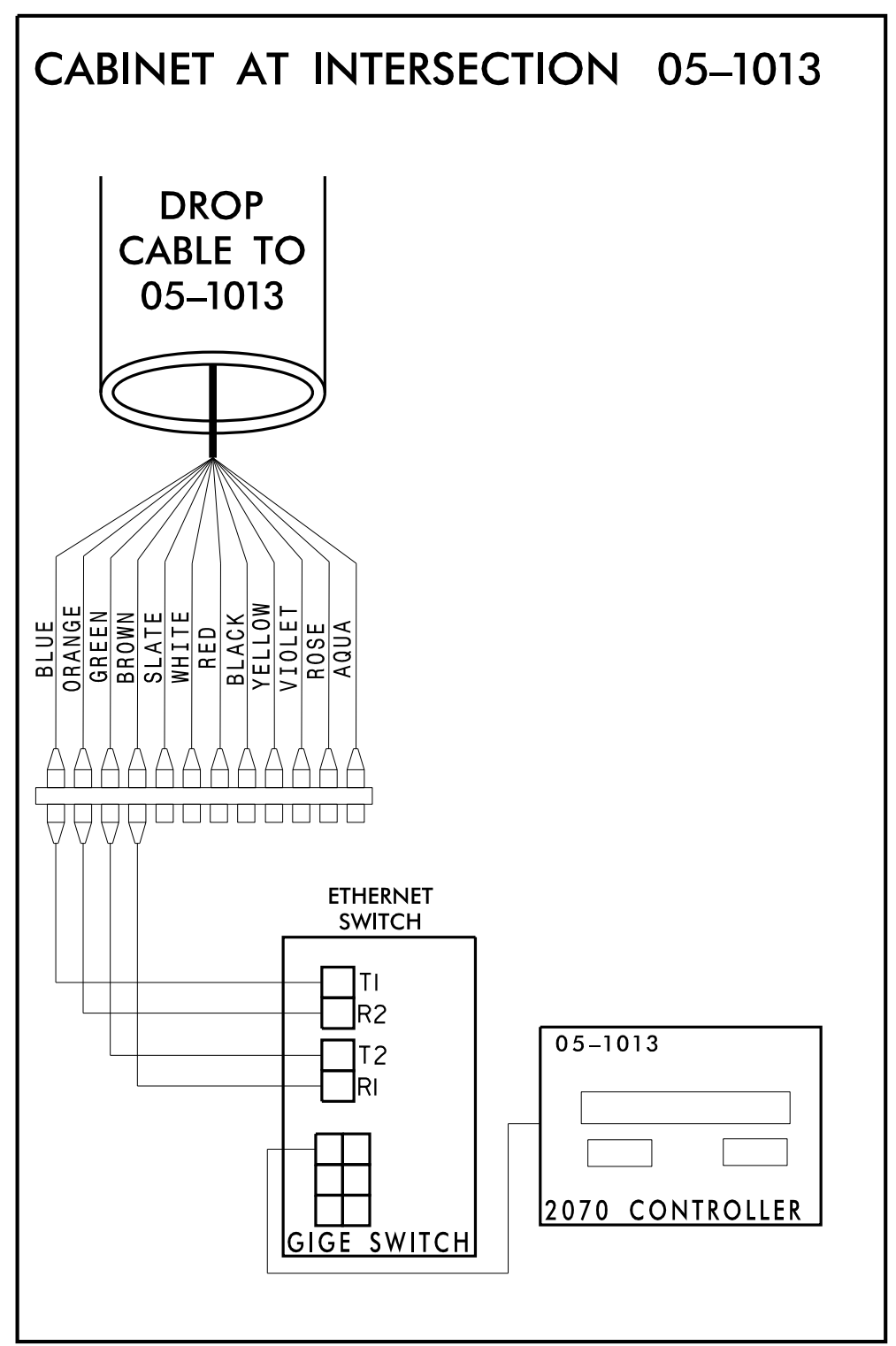
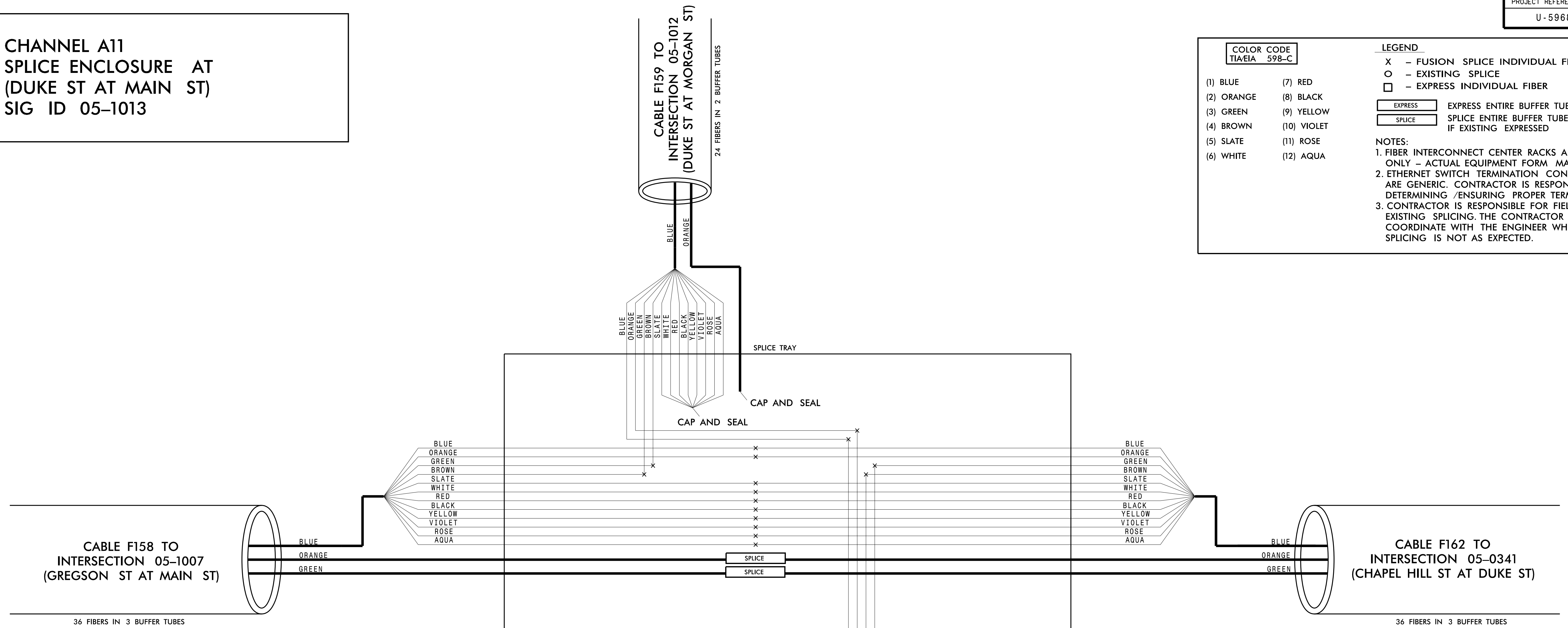
**LEGEND**

X - FUSION SPICE INDIVIDUAL FIBER  
 O - EXISTING SPICE  
 □ - EXPRESS INDIVIDUAL FIBER

EXPRESS - EXPRESS ENTIRE BUFFER TUBE  
 SPICE - SPICE ENTIRE BUFFER TUBE OR MAINTAIN IF EXISTING EXPRESSED

**NOTES:**

- FIBER INTERCONNECT CENTER RACKS ARE SCHEMATIC ONLY - ACTUAL EQUIPMENT FORM MAY VARY.
- ETHERNET SWITCH TERMINATION CONFIGURATIONS ARE GENERIC. CONTRACTOR IS RESPONSIBLE FOR DETERMINING /ENSURING PROPER TERMINATION.
- CONTRACTOR IS RESPONSIBLE FOR FIELD VERIFYING EXISTING SPICING. THE CONTRACTOR SHALL COORDINATE WITH THE ENGINEER WHERE EXISTING SPICING IS NOT AS EXPECTED.



**CHANNEL A11**

**CITY OF DURHAM COMPUTERIZED SIGNAL SYSTEM**

**SPICE DETAIL**

SEAL  
 NORTH CAROLINA PROFESSIONAL ENGINEER  
 KEVIN W. SMITH  
 SEAL 030472

Plans Prepared For:  
 Transportation Mobility and Safety Division  
 CITY OF DURHAM  
 DEPARTMENT OF TRANSPORTATION  
 250 N. Greenfield Place, Garner, NC 27529

NC License #F-0102  
 421 Fayetteville St., Suite 600  
 Raleigh, NC 27636  
 Tel: (919) 677-2000  
 Fax: (919) 677-2050

**Kimley»Horn**

SCALE  
 0

PREPARED BY: KHA	REVIEWED BY: N. MENGELKOCH
REVISIONS	INIT. DATE

DocuSigned by:  
 Kevin W. Smith  
 12/19/2018  
 DATE

CADD Filename:

12/17/2018 K:\ARL\TPTD\ITS\01036410 - Durham Signal System\Plans\Splicing\U-5968\_ITS\_spl.CHALL136\_05-1013.dgn

**CHANNEL A11**  
**SPLICE ENCLOSURE AT**  
**(CHAPEL HILL ST AT DUKE ST)**  
**SIG ID 05-0341 (CHAPEL HILL ST AT DUKE ST)**  
**SIG ID 05-2015 (DUKE ST AT JACKSON ST)**

**COLOR CODE**  
 TIA/EIA 598-C

(1) BLUE	(7) RED
(2) ORANGE	(8) BLACK
(3) GREEN	(9) YELLOW
(4) BROWN	(10) VIOLET
(5) SLATE	(11) ROSE
(6) WHITE	(12) AQUA

**LEGEND**

X - FUSION SPLICE INDIVIDUAL FIBER  
 O - EXISTING SPLICE  
 □ - EXPRESS INDIVIDUAL FIBER

EXPRESS - EXPRESS ENTIRE BUFFER TUBE  
 SPLICE - SPLICE ENTIRE BUFFER TUBE OR MAINTAIN IF EXISTING EXPRESSED

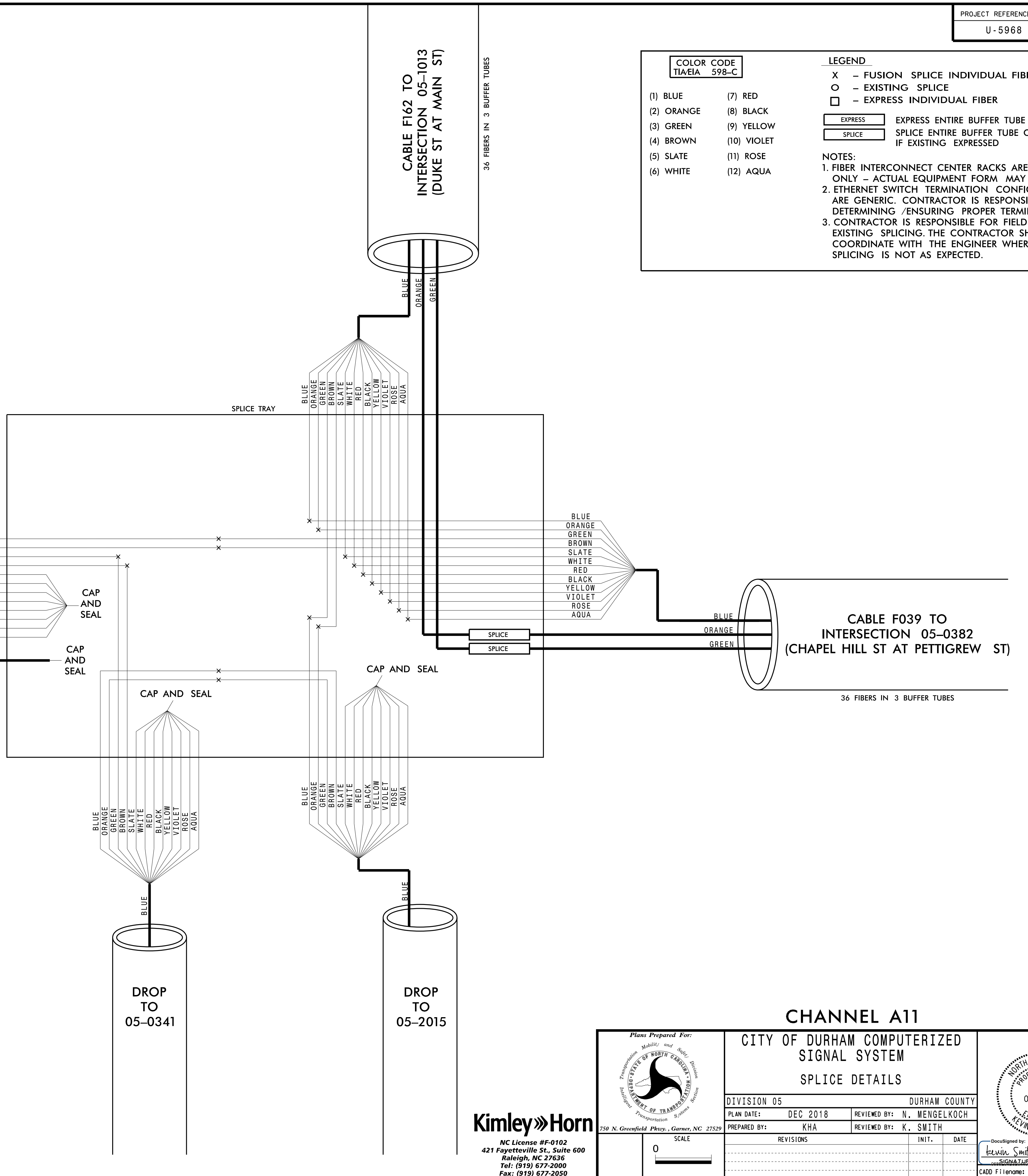
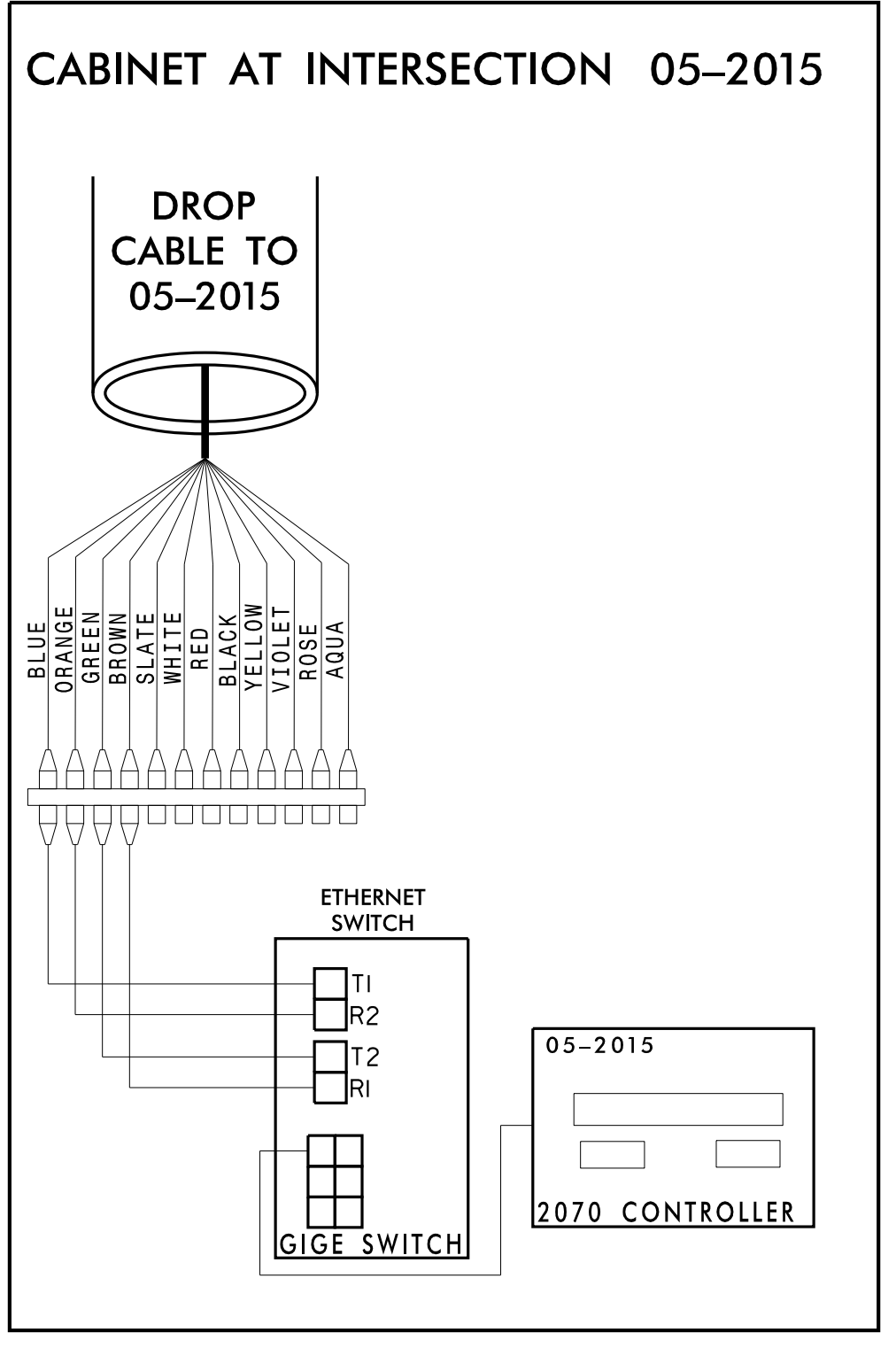
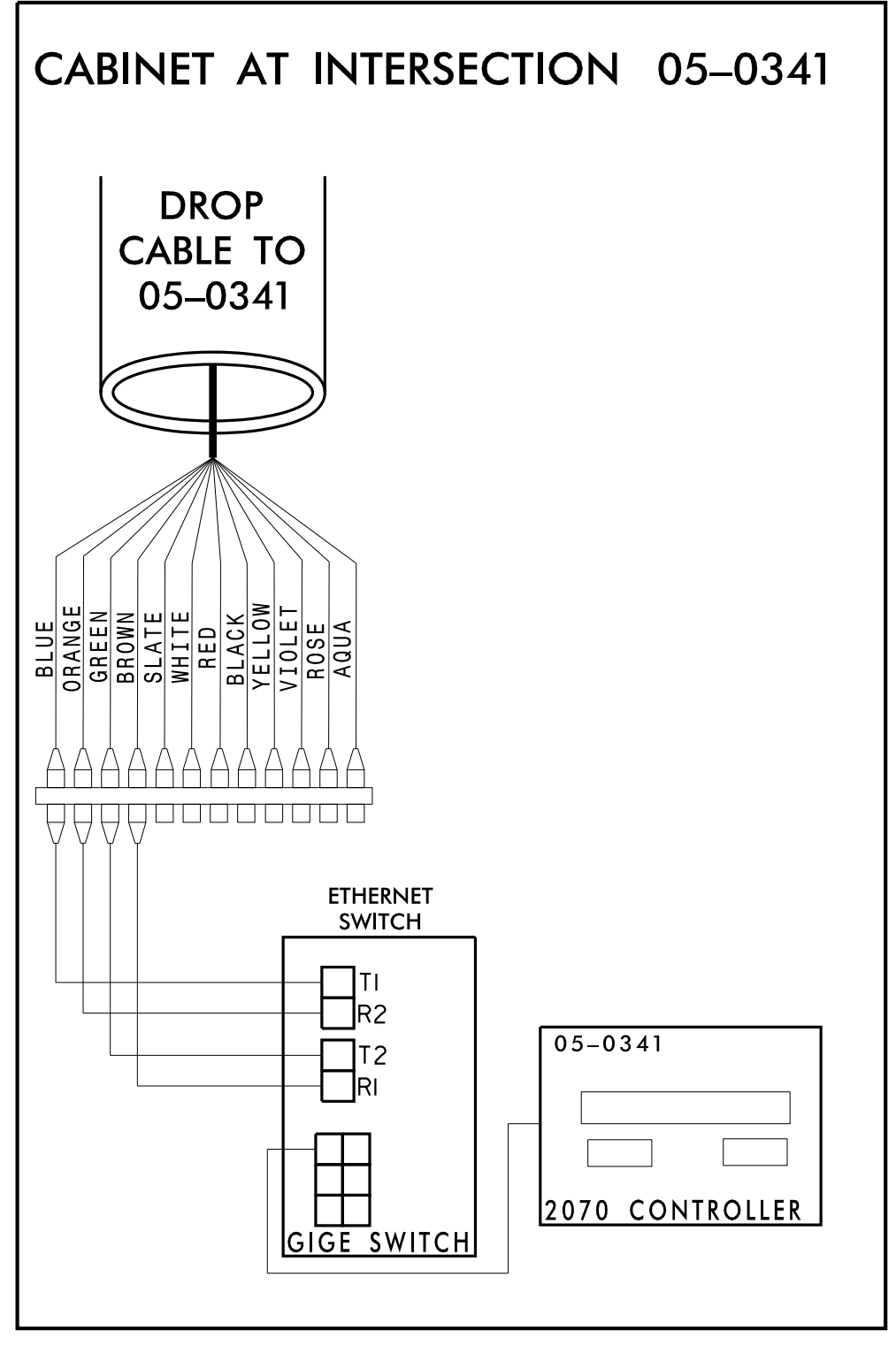
**NOTES:**

- FIBER INTERCONNECT CENTER RACKS ARE SCHEMATIC ONLY - ACTUAL EQUIPMENT FORM MAY VARY.
- ETHERNET SWITCH TERMINATION CONFIGURATIONS ARE GENERIC. CONTRACTOR IS RESPONSIBLE FOR DETERMINING /ENSURING PROPER TERMINATION.
- CONTRACTOR IS RESPONSIBLE FOR FIELD VERIFYING EXISTING SPLICING. THE CONTRACTOR SHALL COORDINATE WITH THE ENGINEER WHERE EXISTING SPLICING IS NOT AS EXPECTED.

**CABLE F163 TO**  
**INTERSECTION 05-0342**  
**(CHAPEL HILL ST AT GREGSON ST)**  
 24 FIBERS IN 2 BUFFER TUBES

**CABLE F162 TO**  
**INTERSECTION 05-1013**  
**(DUKE ST AT MAIN ST)**  
 36 FIBERS IN 3 BUFFER TUBES

**CABLE F039 TO**  
**INTERSECTION 05-0382**  
**(CHAPEL HILL ST AT PETTIGREW ST)**  
 36 FIBERS IN 3 BUFFER TUBES



**CHANNEL A11**

**CITY OF DURHAM COMPUTERIZED SIGNAL SYSTEM**

**SPLICE DETAILS**

DIVISION 05 DURHAM COUNTY

PLAN DATE: DEC 2018 REVIEWED BY: N. MENGELKOCH

PREPARED BY: KHA REVIEWED BY: K. SMITH

REVISIONS INIT. DATE

SCALE 0

Seal: NORTH CAROLINA PROFESSIONAL ENGINEER KEVIN W. SMITH SEAL 030472

12/21/2018

**Kimley»Horn**

NC License #F-0102  
 421 Fayetteville St., Suite 600  
 Raleigh, NC 27636  
 Tel: (919) 677-2000  
 Fax: (919) 677-2050

12/21/2018 K:\ARL\_TPTD\_ITS\01036410 - Durham Signal System\Plans\Splicing\U-5968\_ITS\_spl.CHALL\37\_05-0341.dgn

**CHANNEL A11  
SPlice ENCLOSURE AT  
(CHAPEL HILL ST AT PETTIGREW ST)  
SIG ID 05-0382**

**COLOR CODE**  
TIA/EIA 598-C

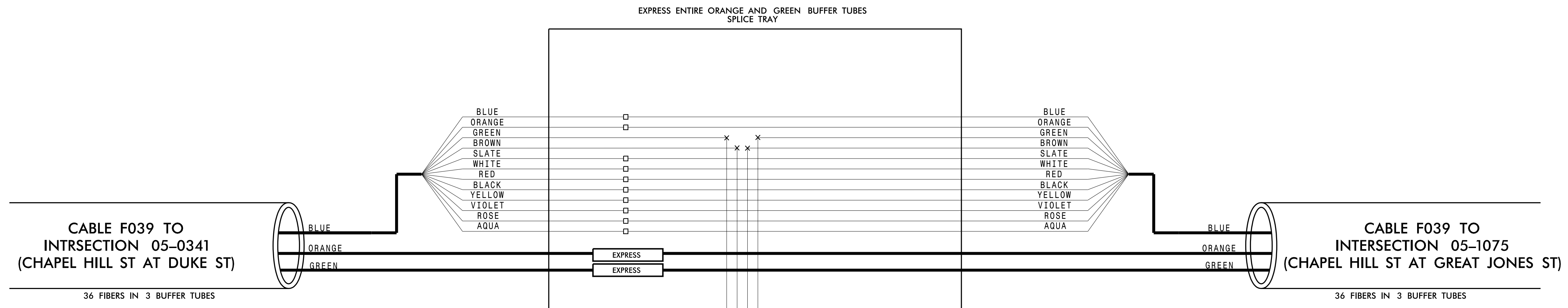
(1) BLUE	(7) RED
(2) ORANGE	(8) BLACK
(3) GREEN	(9) YELLOW
(4) BROWN	(10) VIOLET
(5) SLATE	(11) ROSE
(6) WHITE	(12) AQUA

**LEGEND**

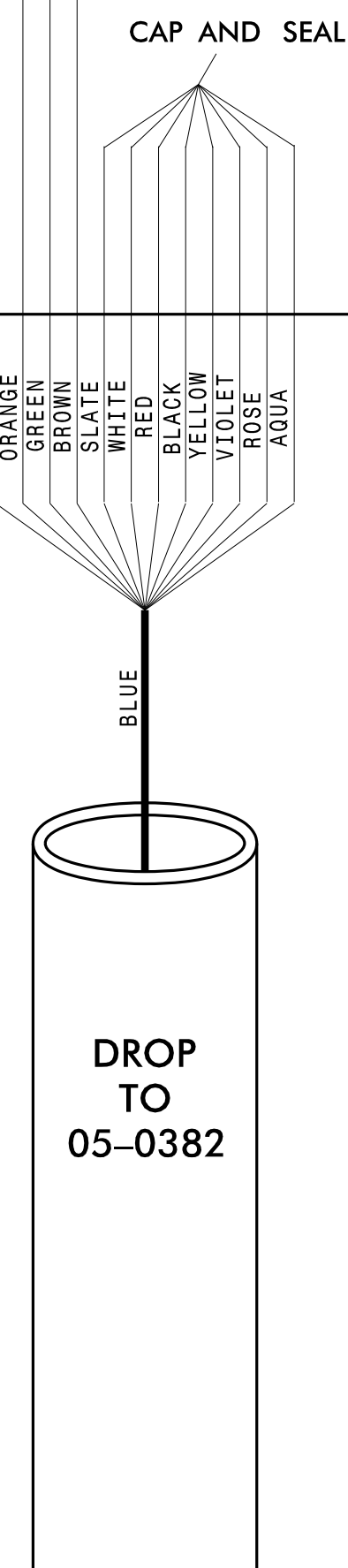
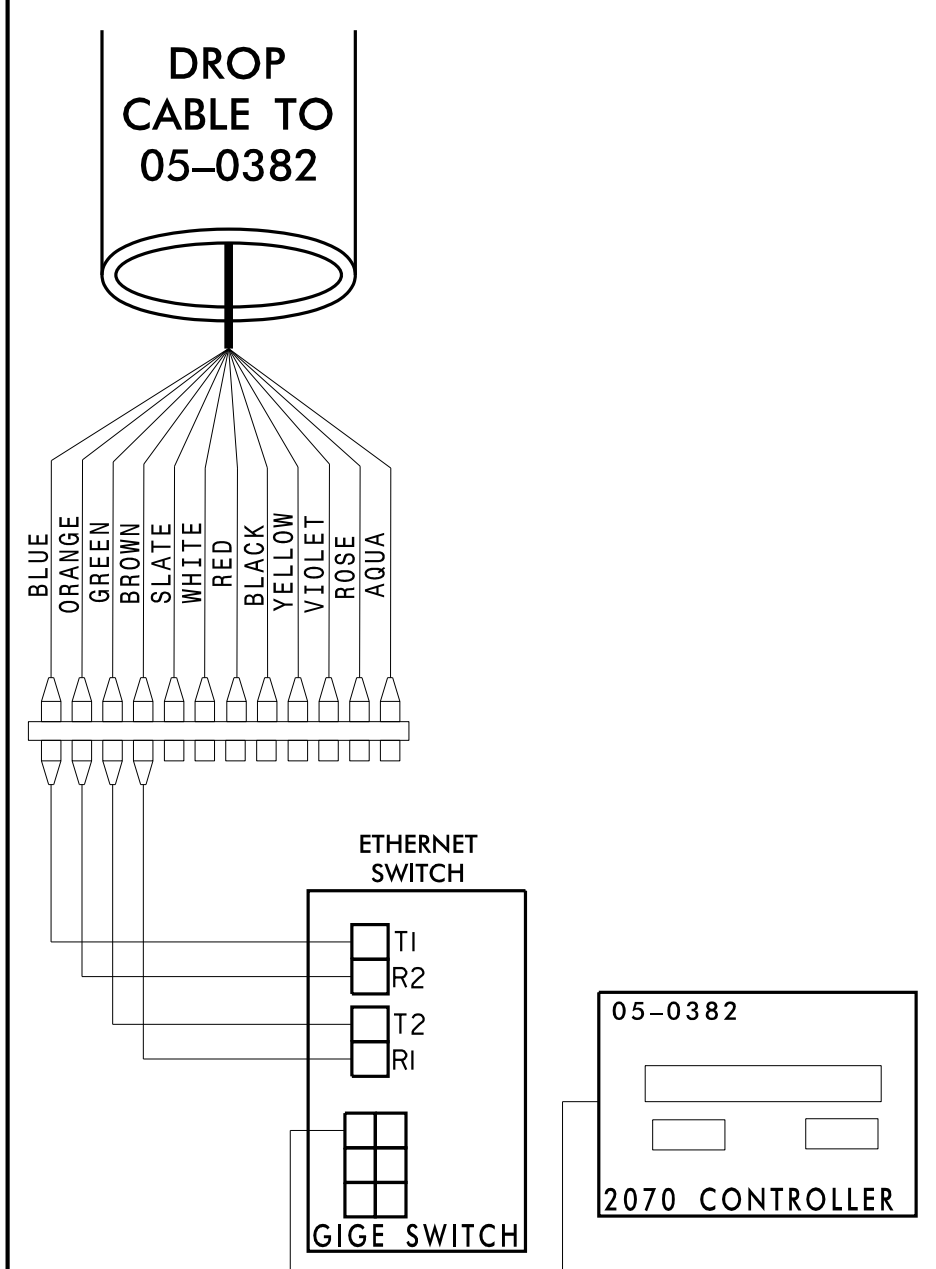
X - FUSION SPlice INDIVIDUAL FIBER  
 O - EXISTING SPlice  
 □ - EXPRESS INDIVIDUAL FIBER

EXPRESS - EXPRESS ENTIRE BUFFER TUBE  
 SPlice - SPlice ENTIRE BUFFER TUBE OR MAINTAIN IF EXISTING EXPRESSED

**NOTES:**  
 1. FIBER INTERCONNECT CENTER RACKS ARE SCHEMATIC ONLY - ACTUAL EQUIPMENT FORM MAY VARY.  
 2. ETHERNET SWITCH TERMINATION CONFIGURATIONS ARE GENERIC. CONTRACTOR IS RESPONSIBLE FOR DETERMINING /ENSURING PROPER TERMINATION.  
 3. CONTRACTOR IS RESPONSIBLE FOR FIELD VERIFYING EXISTING SPlicing. THE CONTRACTOR SHALL COORDINATE WITH THE ENGINEER WHERE EXISTING SPlicing IS NOT AS EXPECTED.



**CABINET AT INTERSECTION 05-0382**



**CHANNEL A11**

**CITY OF DURHAM COMPUTERIZED  
SIGNAL SYSTEM  
SPlice DETAIL**

	DIVISION 05 DURHAM COUNTY		
	PLAN DATE: DEC 2018	REVIEWED BY: N. MENGELKOCH	
PREPARED BY: KHA	REVIEWED BY: K. SMITH	REVISIONS INIT. DATE	Documented by:  12/19/2018 DATE CADD Filename:

**Kimley»Horn**  
 NC License #F-0102  
 421 Fayetteville St., Suite 600  
 Raleigh, NC 27636  
 Tel: (919) 677-2000  
 Fax: (919) 677-2050

12/17/2018 K:\ARL\_TPTD\_ITS\0103640 - Durham Signal System\Plans\Splicing\U-5968\_ITS\_spl.CHALL138\_05-0382.dgn