

**CHANNEL A07  
SPLICE ENCLOSURE AT  
(ELIZABETH ST AT GEER ST)  
SIG ID 05-1034**

**COLOR CODE TIA/EIA 598-C**

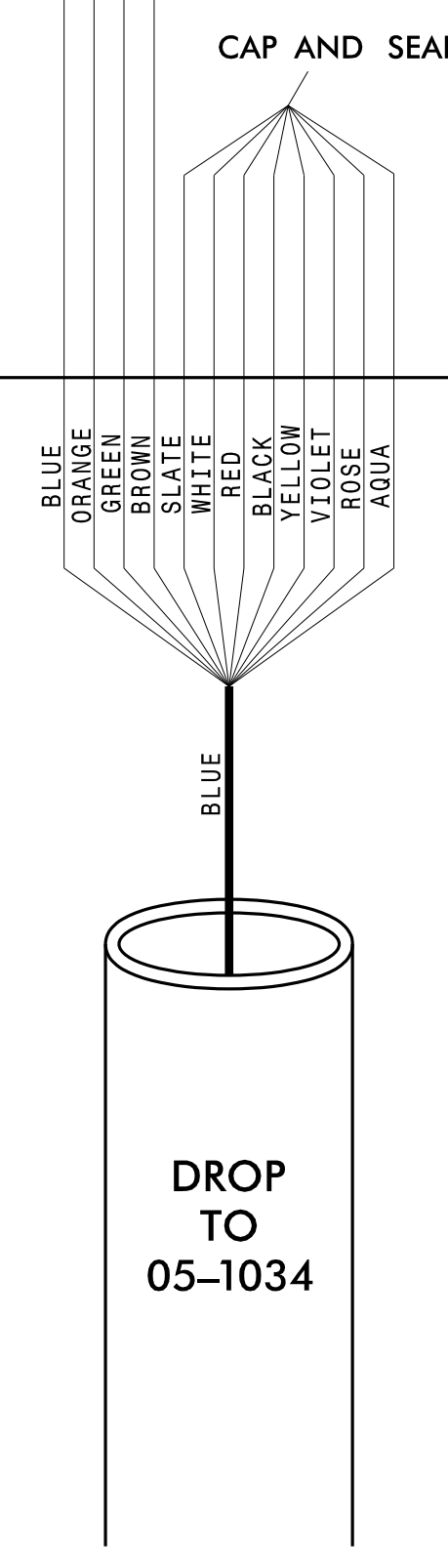
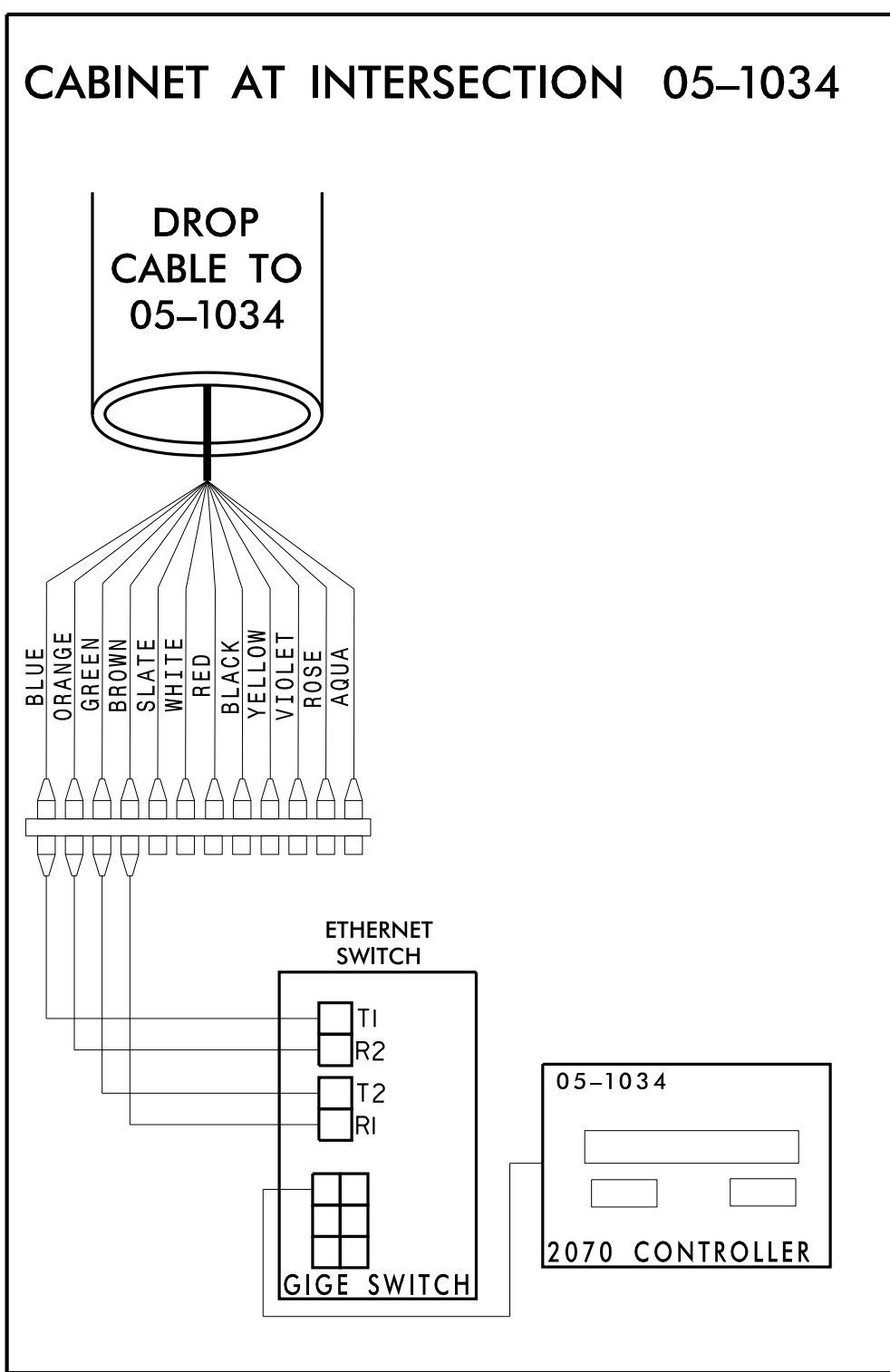
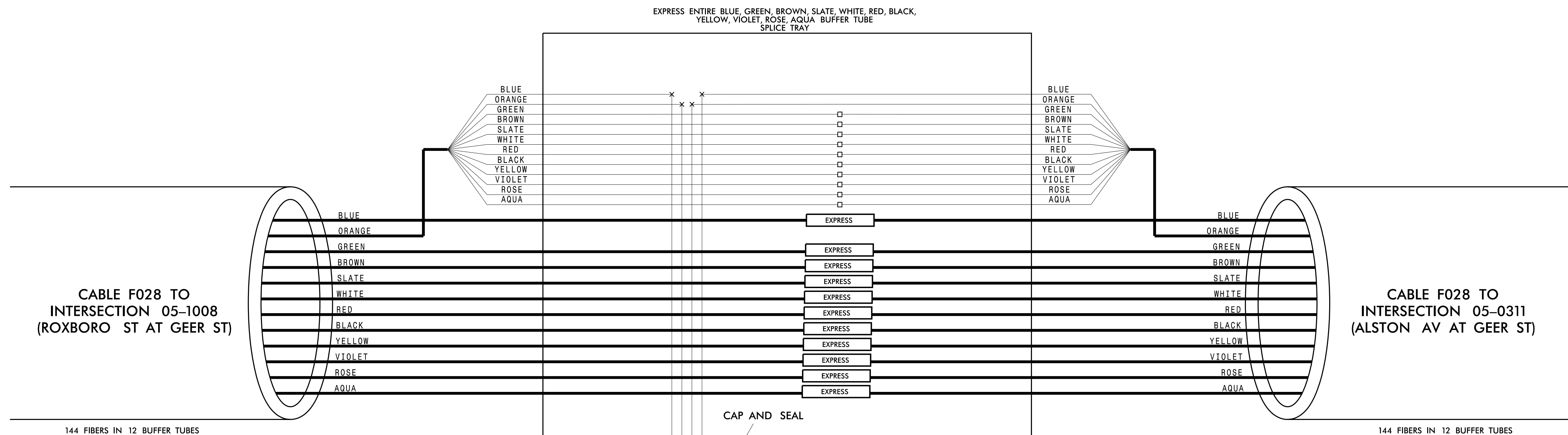
(1) BLUE	(7) RED
(2) ORANGE	(8) BLACK
(3) GREEN	(9) YELLOW
(4) BROWN	(10) VIOLET
(5) SLATE	(11) ROSE
(6) WHITE	(12) AQUA

**LEGEND**

X - FUSION SPLICE INDIVIDUAL FIBER  
 O - EXISTING SPLICE  
 □ - EXPRESS INDIVIDUAL FIBER

EXPRESS - EXPRESS ENTIRE BUFFER TUBE  
 SPLICE - SPLICE ENTIRE BUFFER TUBE OR MAINTAIN IF EXISTING EXPRESSED

**NOTES:**  
 1. FIBER INTERCONNECT CENTER RACKS ARE SCHEMATIC ONLY - ACTUAL EQUIPMENT FORM MAY VARY.  
 2. ETHERNET SWITCH TERMINATION CONFIGURATIONS ARE GENERIC. CONTRACTOR IS RESPONSIBLE FOR DETERMINING /ENSURING PROPER TERMINATION.  
 3. CONTRACTOR IS RESPONSIBLE FOR FIELD VERIFYING EXISTING SPLICING. THE CONTRACTOR SHALL COORDINATE WITH THE ENGINEER WHERE EXISTING SPLICING IS NOT AS EXPECTED.



**Kimley»Horn**  
 NC License #F-0102  
 421 Fayetteville St., Suite 600  
 Raleigh, NC 27636  
 Tel: (919) 677-2000  
 Fax: (919) 677-2050

**CHANNEL A07**

**CITY OF DURHAM COMPUTERIZED SIGNAL SYSTEM**

**SPLICE DETAIL**

Division 05 DURHAM COUNTY

PLAN DATE: DEC 2018 REVIEWED BY: N. MENGELKOCH

PREPARED BY: KHA REVIEWED BY: K. SMITH

REVISIONS	INIT.	DATE

SCALE: 0

DocuSigned by: *Kevin W. Smith* 12/19/2018

SEAL: NORTH CAROLINA PROFESSIONAL ENGINEER KEVIN W. SMITH SEAL 030472

CADD Filename:

12/17/2018 K:\ARL\_TPTD\_ITS\01036410 - Durham Signal System\Plans\Splicing\U-5968\_ITS\_spl\_CHA07\_085\_05-1034.dgn