

**CHANNEL A01  
 SPLICE ENCLOSURE AT  
 (DUKE UNIVERSITY RD AT  
 TOWERVIEW DR)  
 SIG ID D-0990**

**COLOR CODE  
 TIA/EIA 598-C**

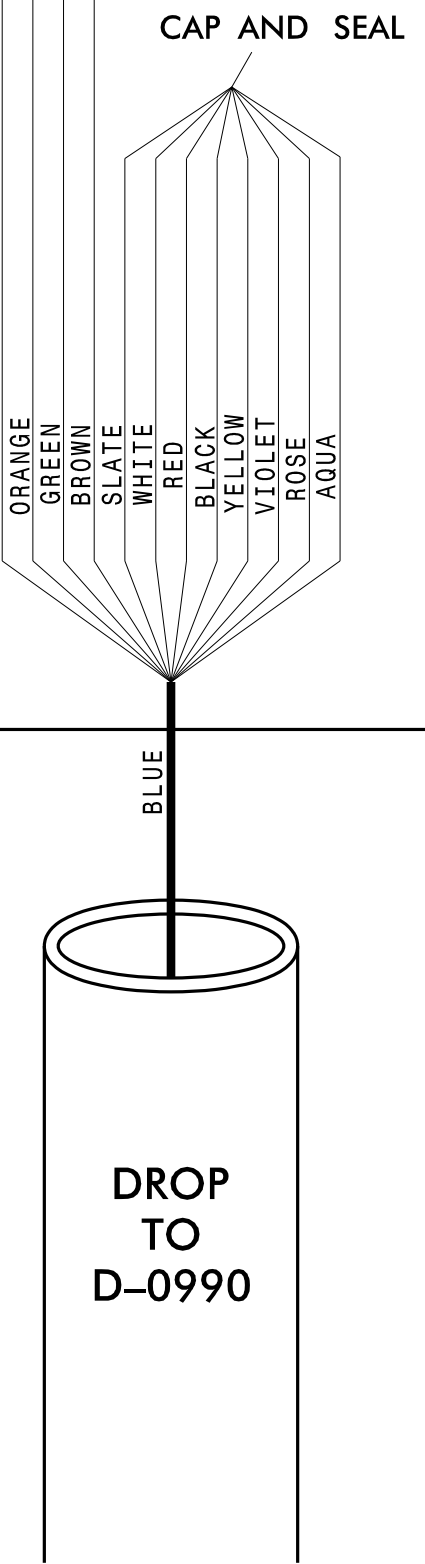
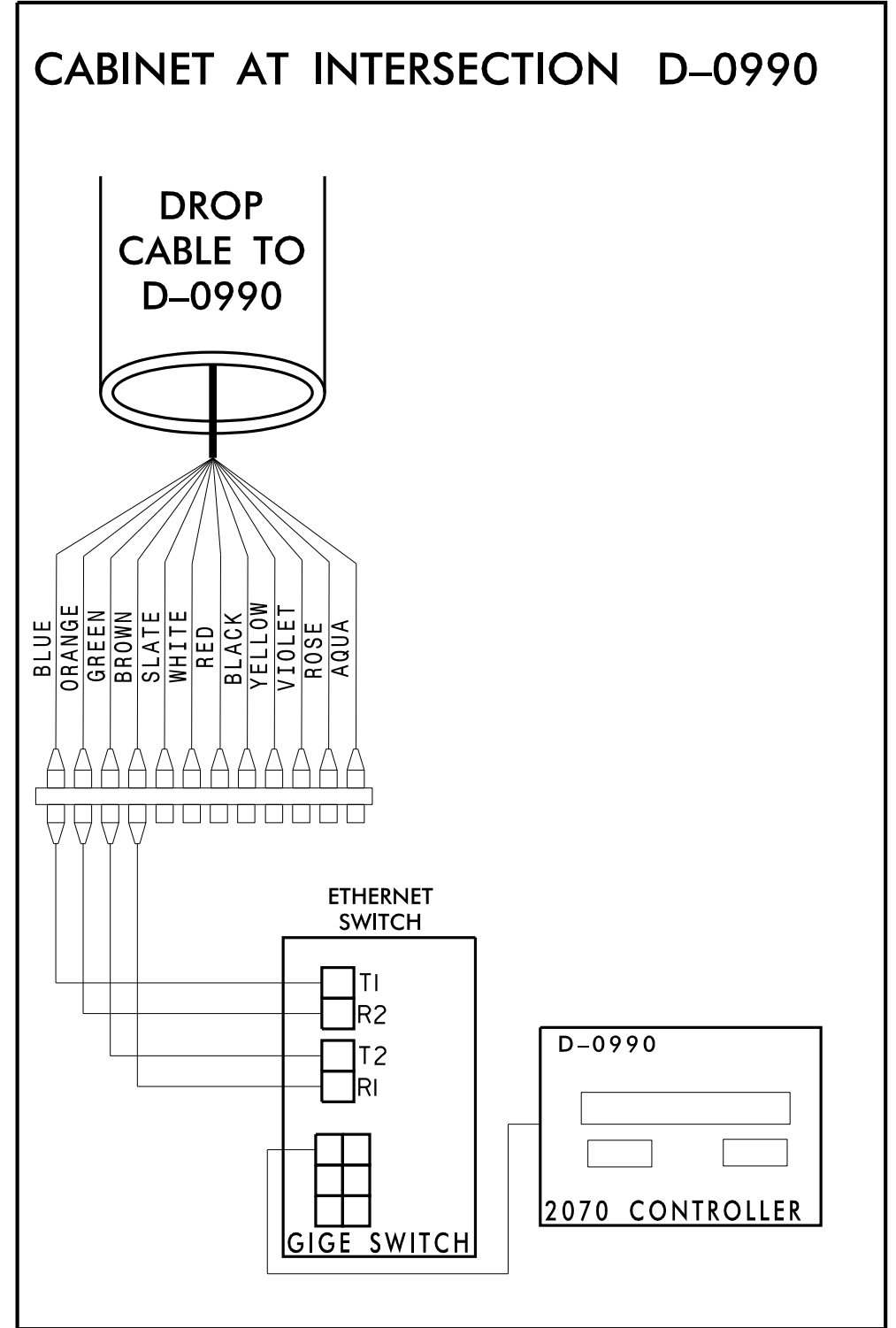
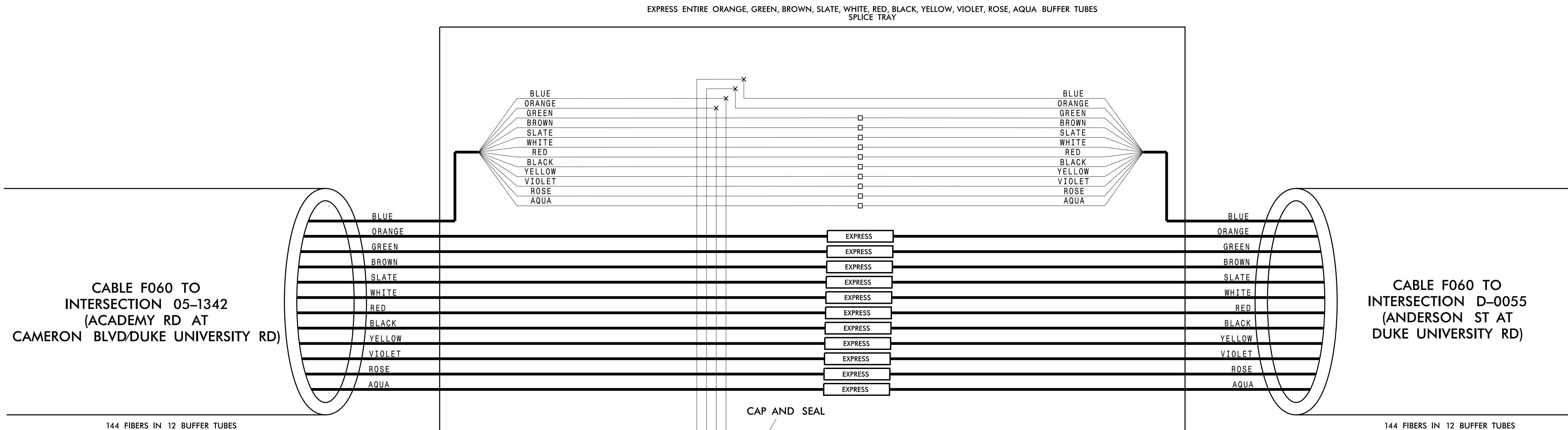
(1) BLUE	(7) RED
(2) ORANGE	(8) BLACK
(3) GREEN	(9) YELLOW
(4) BROWN	(10) VIOLET
(5) SLATE	(11) ROSE
(6) WHITE	(12) AQUA

**LEGEND**

X - FUSION SPLICE INDIVIDUAL FIBER  
 O - EXISTING SPLICE  
 □ - EXPRESS INDIVIDUAL FIBER

EXPRESS - EXPRESS ENTIRE BUFFER TUBE  
 SPLICE - SPLICE ENTIRE BUFFER TUBE OR MAINTAIN IF EXISTING EXPRESSED

**NOTES:**  
 1. FIBER INTERCONNECT CENTER RACKS ARE SCHEMATIC ONLY - ACTUAL EQUIPMENT FORM MAY VARY.  
 2. ETHERNET SWITCH TERMINATION CONFIGURATIONS ARE GENERIC. CONTRACTOR IS RESPONSIBLE FOR DETERMINING /ENSURING PROPER TERMINATION.  
 3. CONTRACTOR IS RESPONSIBLE FOR FIELD VERIFYING EXISTING SPlicing. THE CONTRACTOR SHALL COORDINATE WITH THE ENGINEER WHERE EXISTING SPlicing IS NOT AS EXPECTED.



**CHANNEL A01**

**CITY OF DURHAM COMPUTERIZED SIGNAL SYSTEM**

**SPLICE DETAIL**

DIVISION 05 DURHAM COUNTY

PLAN DATE: DEC 2018 REVIEWED BY: N. MENGELKOCH

PREPARED BY: KHA REVIEWED BY: K. SMITH

REVISIONS	INIT.	DATE

Scale: 0

Kimley»Horn  
 NC License #F-0102  
 421 Fayetteville St., Suite 600  
 Raleigh, NC 27636  
 Tel: (919) 677-2000  
 Fax: (919) 677-2050

Seal: NORTH CAROLINA PROFESSIONAL ENGINEER KEVIN W. SMITH SEAL 030472

DocuSigned by: ELVIN SMITH 12/19/2018

12/17/2018 K:\ARL\_TPTD\ITS\01036410 - Durham Signal System\Plans\Splicing\U-5968 ITS-spl.CH01\002.D-0990.dgn

**CHANNEL A01  
 SPLICE ENCLOSURE AT  
 (ACADEMY RD AT CAMERON  
 BLVD /DUKE UNIVERSITY RD)  
 SIG ID 05-1342  
 CCTV 2048**

**COLOR CODE  
 TIA/EIA 598-C**

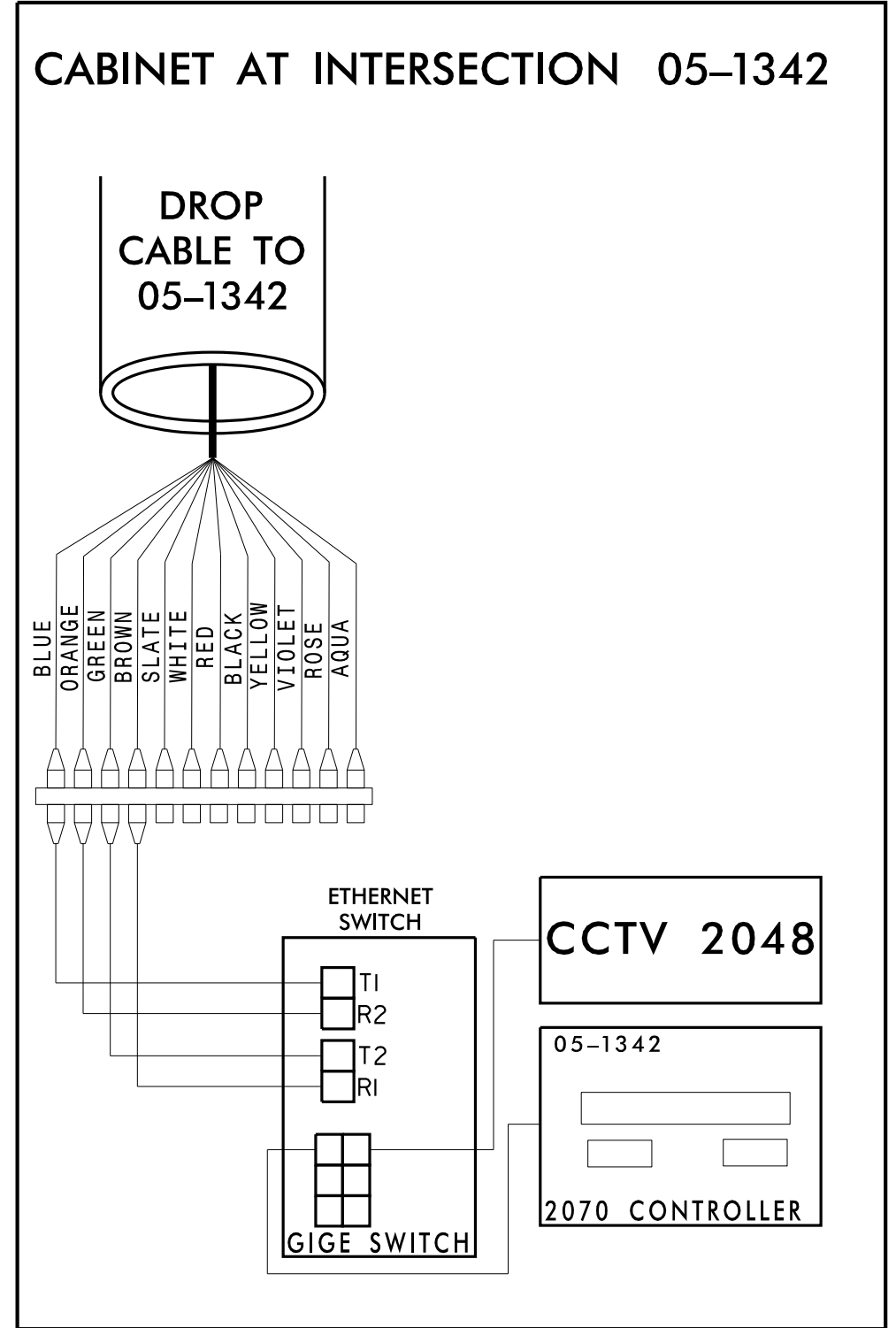
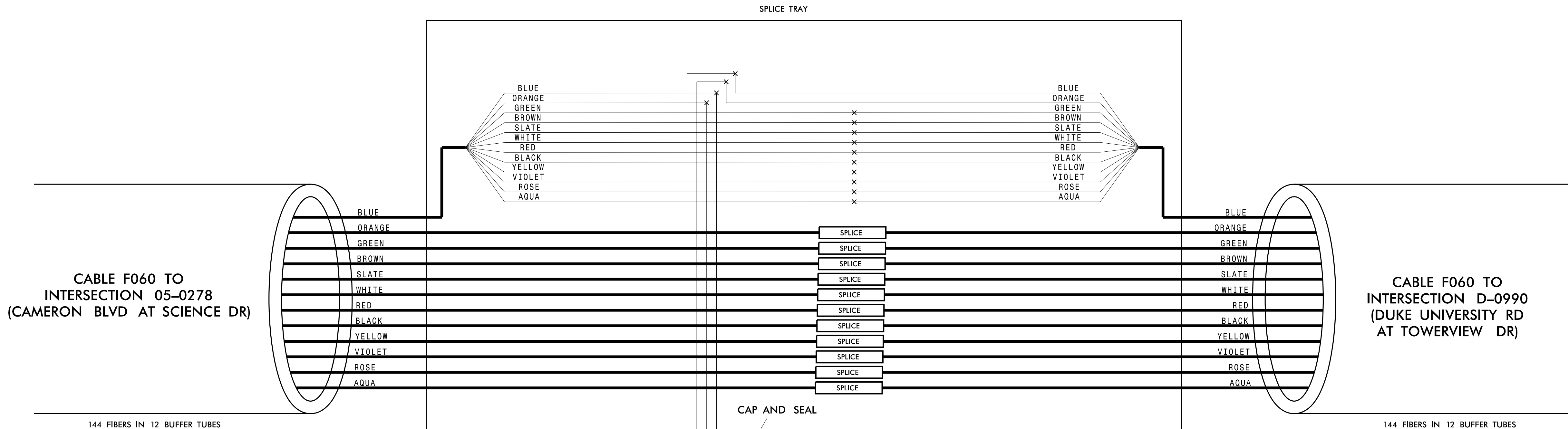
(1) BLUE	(7) RED
(2) ORANGE	(8) BLACK
(3) GREEN	(9) YELLOW
(4) BROWN	(10) VIOLET
(5) SLATE	(11) ROSE
(6) WHITE	(12) AQUA

**LEGEND**

X - FUSION SPLICE INDIVIDUAL FIBER  
 O - EXISTING SPLICE  
 □ - EXPRESS INDIVIDUAL FIBER

EXPRESS - EXPRESS ENTIRE BUFFER TUBE  
 SPLICE - SPLICE ENTIRE BUFFER TUBE OR MAINTAIN IF EXISTING EXPRESSED

**NOTES:**  
 1. FIBER INTERCONNECT CENTER RACKS ARE SCHEMATIC ONLY - ACTUAL EQUIPMENT FORM MAY VARY.  
 2. ETHERNET SWITCH TERMINATION CONFIGURATIONS ARE GENERIC. CONTRACTOR IS RESPONSIBLE FOR DETERMINING /ENSURING PROPER TERMINATION.  
 3. CONTRACTOR IS RESPONSIBLE FOR FIELD VERIFYING EXISTING SPlicing. THE CONTRACTOR SHALL COORDINATE WITH THE ENGINEER WHERE EXISTING SPlicing IS NOT AS EXPECTED.



**CHANNEL A01  
 CITY OF DURHAM COMPUTERIZED  
 SIGNAL SYSTEM  
 SPLICE DETAIL**

Division 05 DURHAM COUNTY

PLAN DATE: DEC 2018 REVIEWED BY: N. MENGELKOCH

PREPARED BY: KHA REVIEWED BY: K. SMITH

REVISIONS	INIT.	DATE

Scale: 0

Kimley»Horn  
 NC License #F-0102  
 421 Fayetteville St., Suite 600  
 Raleigh, NC 27636  
 Tel: (919) 677-2000  
 Fax: (919) 677-2050

Seal: NORTH CAROLINA PROFESSIONAL ENGINEER KEVIN W. SMITH SEAL 030472

DocuSigned by: Kevin W. Smith 12/19/2018

12/17/2018 K:\ARL\TPTD\ITS\01036410 - Durham Signal System\Plans\Splicing\U-5968 ITS\_spl\_CHA01\_003\_05-1342.dgn

**CHANNEL A01  
SPLICE ENCLOSURE AT  
(CAMERON BLVD AT SCIENCE DR)  
SIG ID 05-0278**

**COLOR CODE**  
TIA/EIA 598-C

(1) BLUE	(7) RED
(2) ORANGE	(8) BLACK
(3) GREEN	(9) YELLOW
(4) BROWN	(10) VIOLET
(5) SLATE	(11) ROSE
(6) WHITE	(12) AQUA

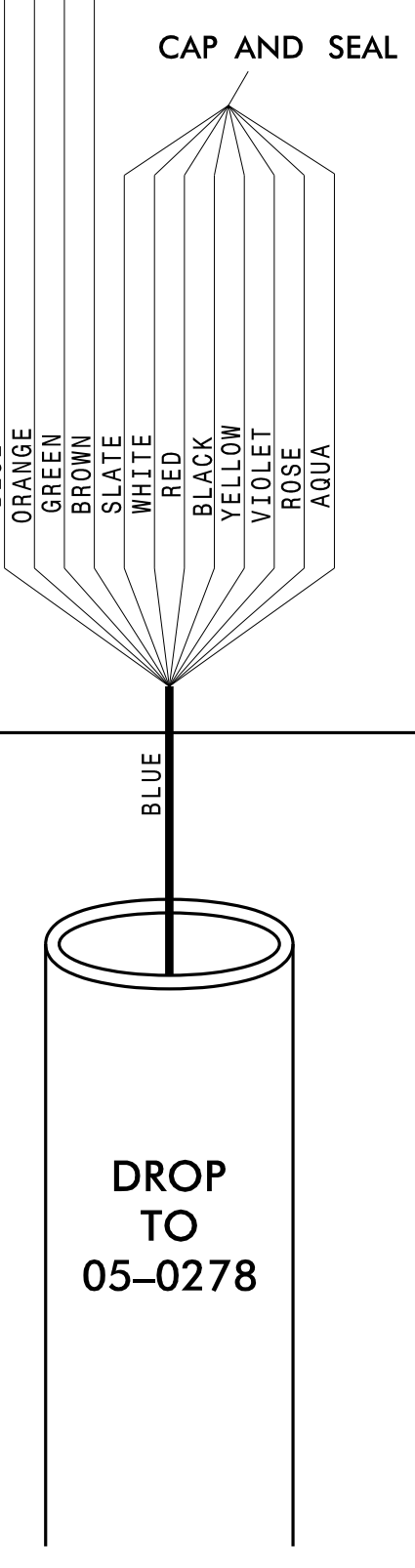
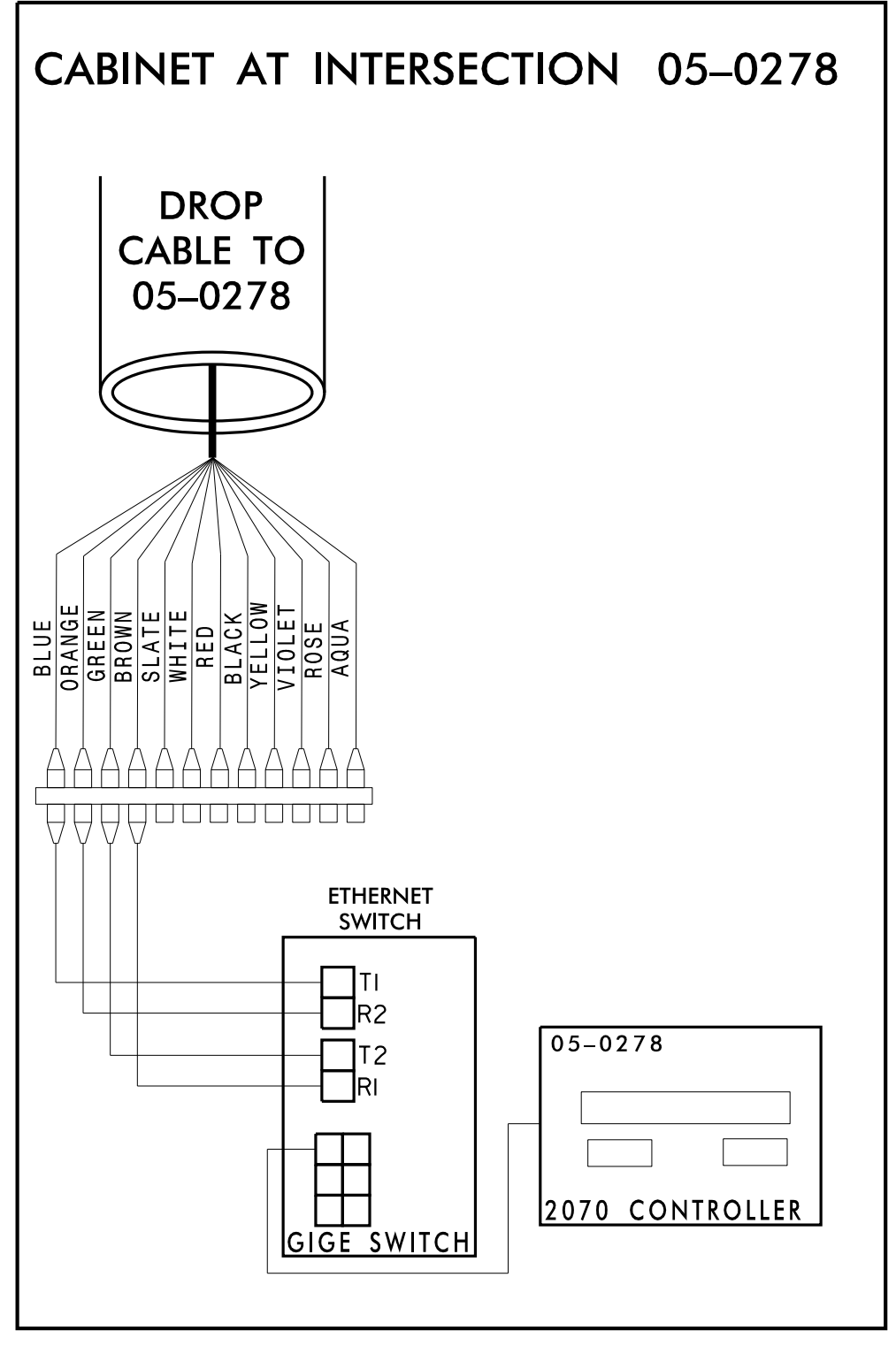
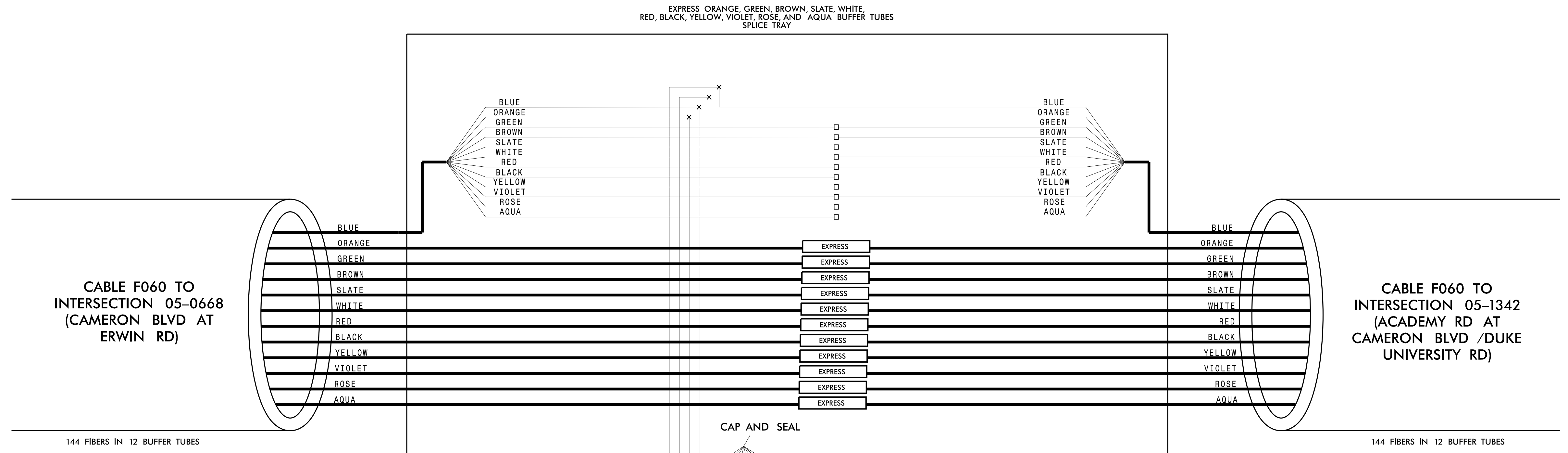
**LEGEND**

X - FUSION SPLICE INDIVIDUAL FIBER  
 O - EXISTING SPLICE  
 □ - EXPRESS INDIVIDUAL FIBER

EXPRESS - EXPRESS ENTIRE BUFFER TUBE  
 SPLICE - SPLICE ENTIRE BUFFER TUBE OR MAINTAIN IF EXISTING EXPRESSED

**NOTES:**

1. FIBER INTERCONNECT CENTER RACKS ARE SCHEMATIC ONLY - ACTUAL EQUIPMENT FORM MAY VARY.
2. ETHERNET SWITCH TERMINATION CONFIGURATIONS ARE GENERIC. CONTRACTOR IS RESPONSIBLE FOR DETERMINING /ENSURING PROPER TERMINATION.
3. CONTRACTOR IS RESPONSIBLE FOR FIELD VERIFYING EXISTING SPlicing. THE CONTRACTOR SHALL COORDINATE WITH THE ENGINEER WHERE EXISTING SPlicing IS NOT AS EXPECTED.



**CHANNEL A01**

**CITY OF DURHAM COMPUTERIZED SIGNAL SYSTEM**

**SPLICE DETAIL**

SEAL

NORTH CAROLINA PROFESSIONAL ENGINEER SEAL 030472 KEVIN W. SMITH

Planned Prepared For: **CITY OF DURHAM**  
 Transportation, Mobility and Safety Division  
 DEPARTMENT OF TRANSPORTATION & SAFETY DIVISION

750 N. Greenfield Place, Garner, NC 27529

NC License #F-0102  
 421 Fayetteville St., Suite 600  
 Raleigh, NC 27636  
 Tel: (919) 677-2000  
 Fax: (919) 677-2050

**Kimley»Horn**

SCALE: 0

DIVISION 05	DURHAM COUNTY
PLAN DATE: DEC 2018	REVIEWED BY: N. MENGELKOCH
PREPARED BY: KHA	REVIEWED BY: K. SMITH
REVISIONS	INIT. DATE

DocuSigned by: **Kevin W. Smith** 12/19/2018

CADD Filename:

12/17/2018 K:\ARL\_TPTD\_ITS\01036410 - Durham Signal System\Plans\Splicing\U-5968\_ITS\_spl\_CHA01\_004\_05-0278.dgn