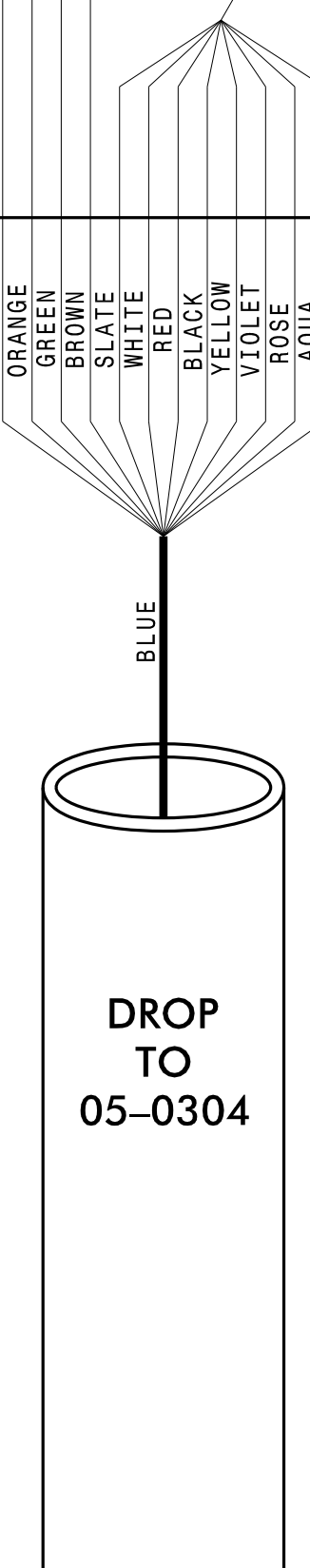
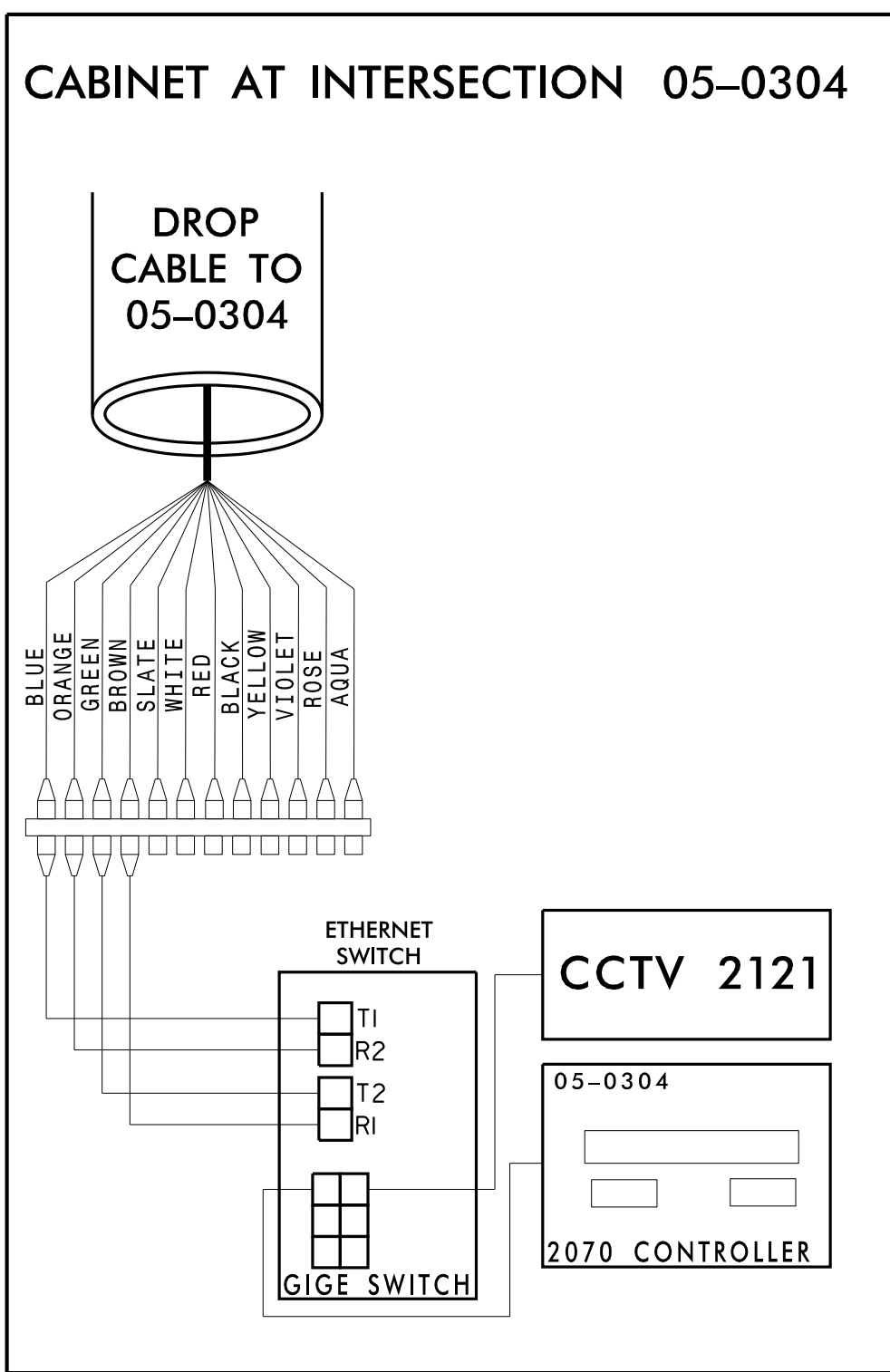
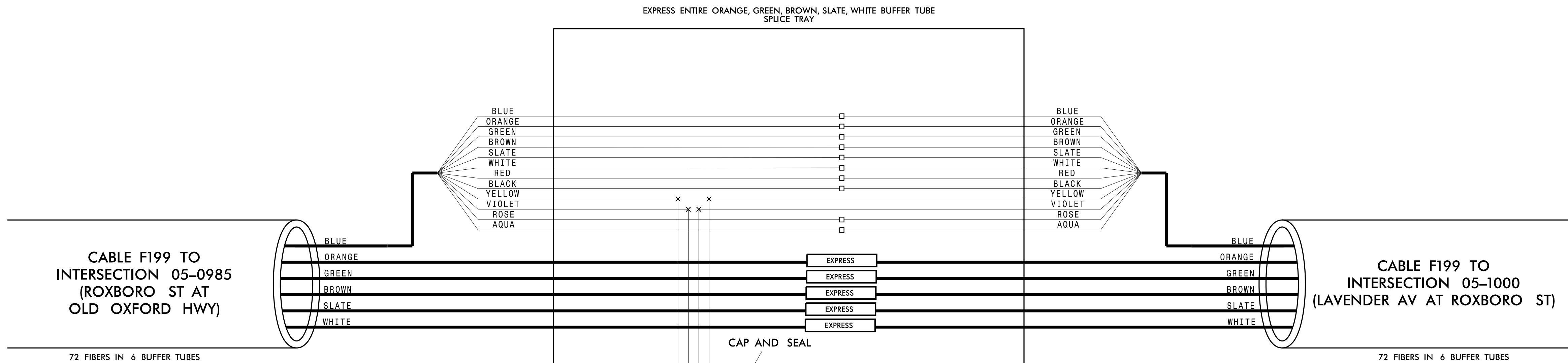


**CHANNEL A05
 SPLICE ENCLOSURE AT
 (MURRAY AV AT ROXBORO ST)
 SIG ID 05-0304
 CCTV 2121**

COLOR CODE TIA/EIA 598-C		LEGEND	
(1) BLUE	(7) RED	X - FUSION SPLICE INDIVIDUAL FIBER	
(2) ORANGE	(8) BLACK	O - EXISTING SPLICE	
(3) GREEN	(9) YELLOW	□ - EXPRESS INDIVIDUAL FIBER	
(4) BROWN	(10) VIOLET	EXPRESS	EXPRESS ENTIRE BUFFER TUBE
(5) SLATE	(11) ROSE	SPLICE	SPLICE ENTIRE BUFFER TUBE OR MAINTAIN IF EXISTING EXPRESSED
(6) WHITE	(12) AQUA	NOTES:	
1. FIBER INTERCONNECT CENTER RACKS ARE SCHEMATIC ONLY - ACTUAL EQUIPMENT FORM MAY VARY.			
2. ETHERNET SWITCH TERMINATION CONFIGURATIONS ARE GENERIC. CONTRACTOR IS RESPONSIBLE FOR DETERMINING /ENSURING PROPER TERMINATION.			
3. CONTRACTOR IS RESPONSIBLE FOR FIELD VERIFYING EXISTING SPlicing. THE CONTRACTOR SHALL COORDINATE WITH THE ENGINEER WHERE EXISTING SPlicing IS NOT AS EXPECTED.			



CHANNEL A05

**CITY OF DURHAM COMPUTERIZED
 SIGNAL SYSTEM
 SPLICE DETAIL**

DIVISION 05 DURHAM COUNTY
 PLAN DATE: DEC 2018 REVIEWED BY: N. MENGELKOCH
 PREPARED BY: KHA REVIEWED BY: K. SMITH

REVISIONS	INIT.	DATE

SEAL

DocuSigned by:
 Kevin W. Smith
 SIGNATURE DATE 12/19/2018
 CADD Filename:

Kimley»Horn
 NC License #F-0102
 421 Fayetteville St., Suite 600
 Raleigh, NC 27636
 Tel: (919) 677-2000
 Fax: (919) 677-2050

Plans Prepared For:

 250 N. Greenfield Place, Garner, NC 27529

SCALE
 0

12/17/2018 K:\ARL_TPTD_ITS\01036410 - Durham Signal System\Plans\Splicing\U-5968_ITS_spl_CHA05_070_05-0304.dgn

**CHANNEL A05
SPlice ENCLOSURE AT
(ROXBORO ST AT LAVENDER AV)
SIG ID 05-1000**

COLOR CODE
TIA/EIA 598-C

(1) BLUE	(7) RED
(2) ORANGE	(8) BLACK
(3) GREEN	(9) YELLOW
(4) BROWN	(10) VIOLET
(5) SLATE	(11) ROSE
(6) WHITE	(12) AQUA

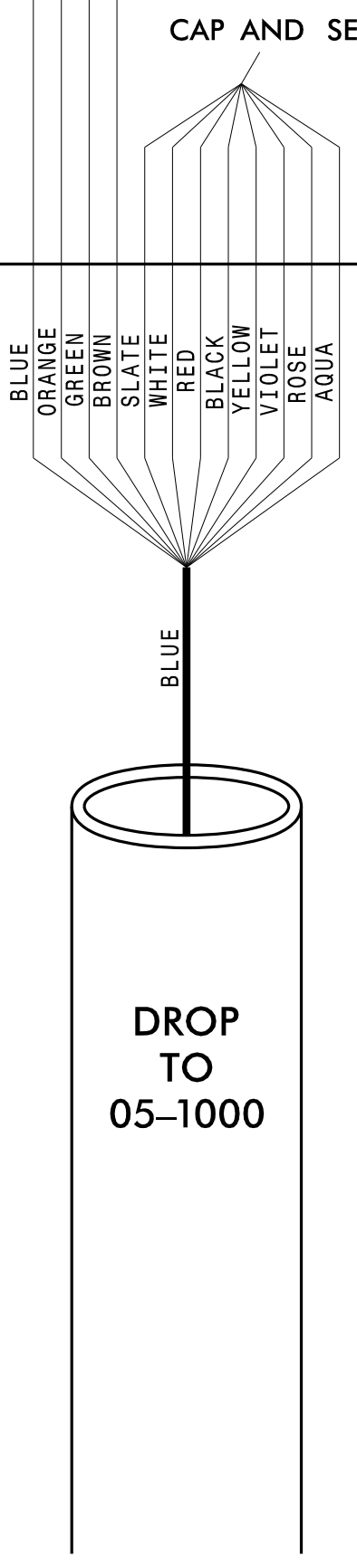
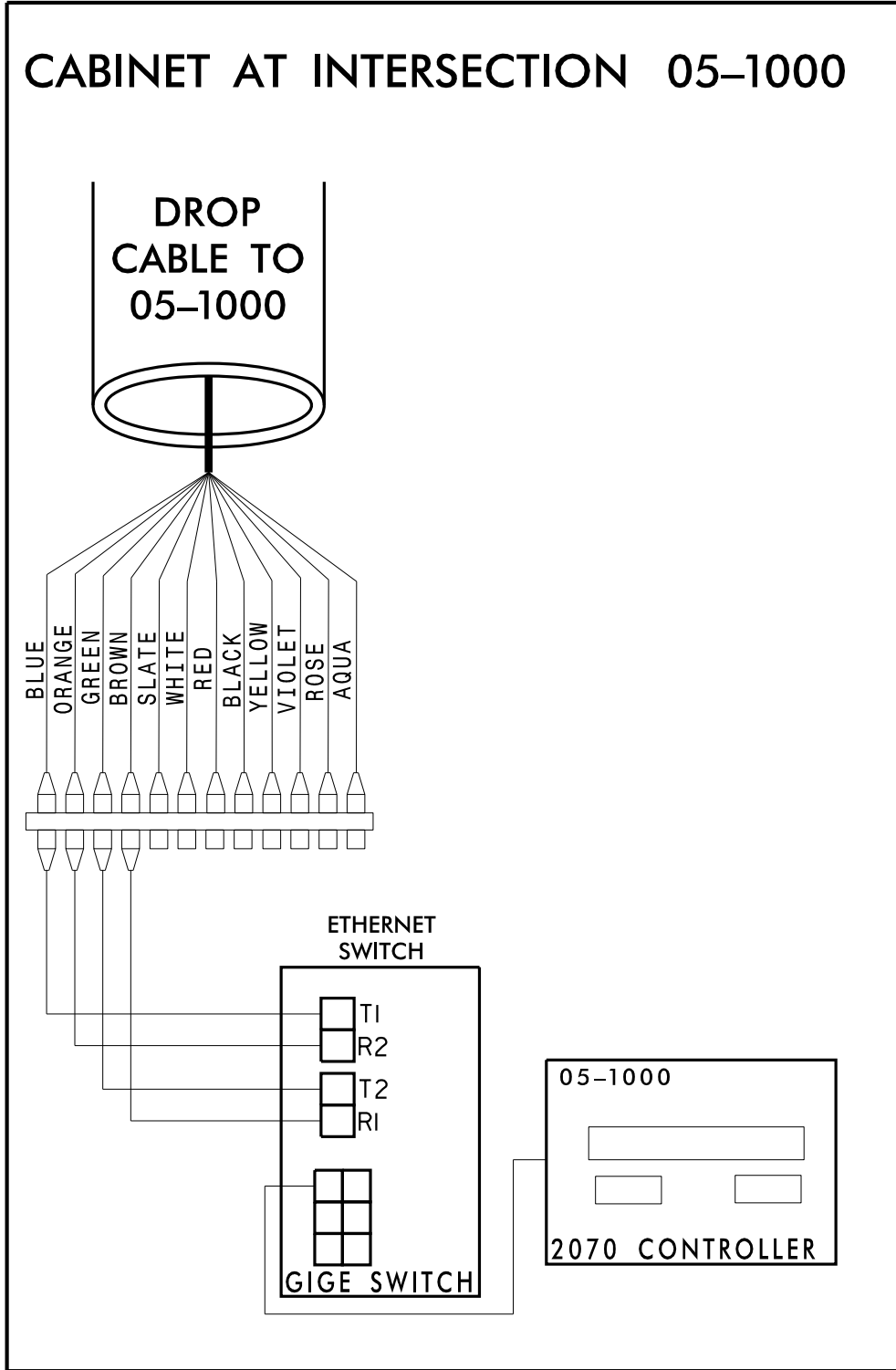
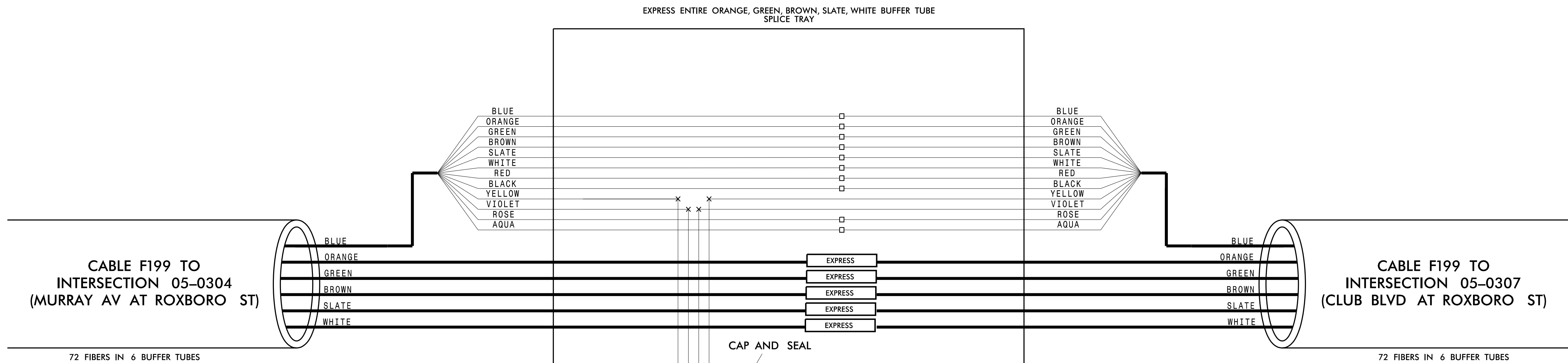
LEGEND

X - FUSION SPlice INDIVIDUAL FIBER
 O - EXISTING SPlice
 □ - EXPRESS INDIVIDUAL FIBER

EXPRESS - EXPRESS ENTIRE BUFFER TUBE
 SPlice - SPlice ENTIRE BUFFER TUBE OR MAINTAIN IF EXISTING EXPRESSED

NOTES:

- FIBER INTERCONNECT CENTER RACKS ARE SCHEMATIC ONLY - ACTUAL EQUIPMENT FORM MAY VARY.
- ETHERNET SWITCH TERMINATION CONFIGURATIONS ARE GENERIC. CONTRACTOR IS RESPONSIBLE FOR DETERMINING /ENSURING PROPER TERMINATION.
- CONTRACTOR IS RESPONSIBLE FOR FIELD VERIFYING EXISTING SPlicing. THE CONTRACTOR SHALL COORDINATE WITH THE ENGINEER WHERE EXISTING SPlicing IS NOT AS EXPECTED.



CHANNEL A05

CITY OF DURHAM COMPUTERIZED SIGNAL SYSTEM

SPlice DETAIL

Division 05 DURHAM COUNTY

PLAN DATE: DEC 2018 REVIEWED BY: N. MENGELKOCH

PREPARED BY: KHA REVIEWED BY: K. SMITH

REVISIONS	INIT.	DATE

Scale: 0

Kimley»Horn
 NC License #F-0102
 421 Fayetteville St., Suite 600
 Raleigh, NC 27636
 Tel: (919) 677-2000
 Fax: (919) 677-2050

Seal: NORTH CAROLINA PROFESSIONAL ENGINEER KEVIN W. SMITH SEAL 030472

DocuSigned by: Kevin W. Smith 12/19/2018

12/17/2018 K:\ARL_TPTD_ITS\01036410 - Durham Signal System\Plans\Splicing\U-5968_ITS_spl_CHA05_071_05-1000.dgn

**CHANNEL A05
 SPLICE ENCLOSURE AT
 (CLUB BLVD AT ROXBORO ST)
 SIG ID 05-0307
 CCTV 2117**

COLOR CODE TIA/EIA 598-C

(1) BLUE	(7) RED
(2) ORANGE	(8) BLACK
(3) GREEN	(9) YELLOW
(4) BROWN	(10) VIOLET
(5) SLATE	(11) ROSE
(6) WHITE	(12) AQUA

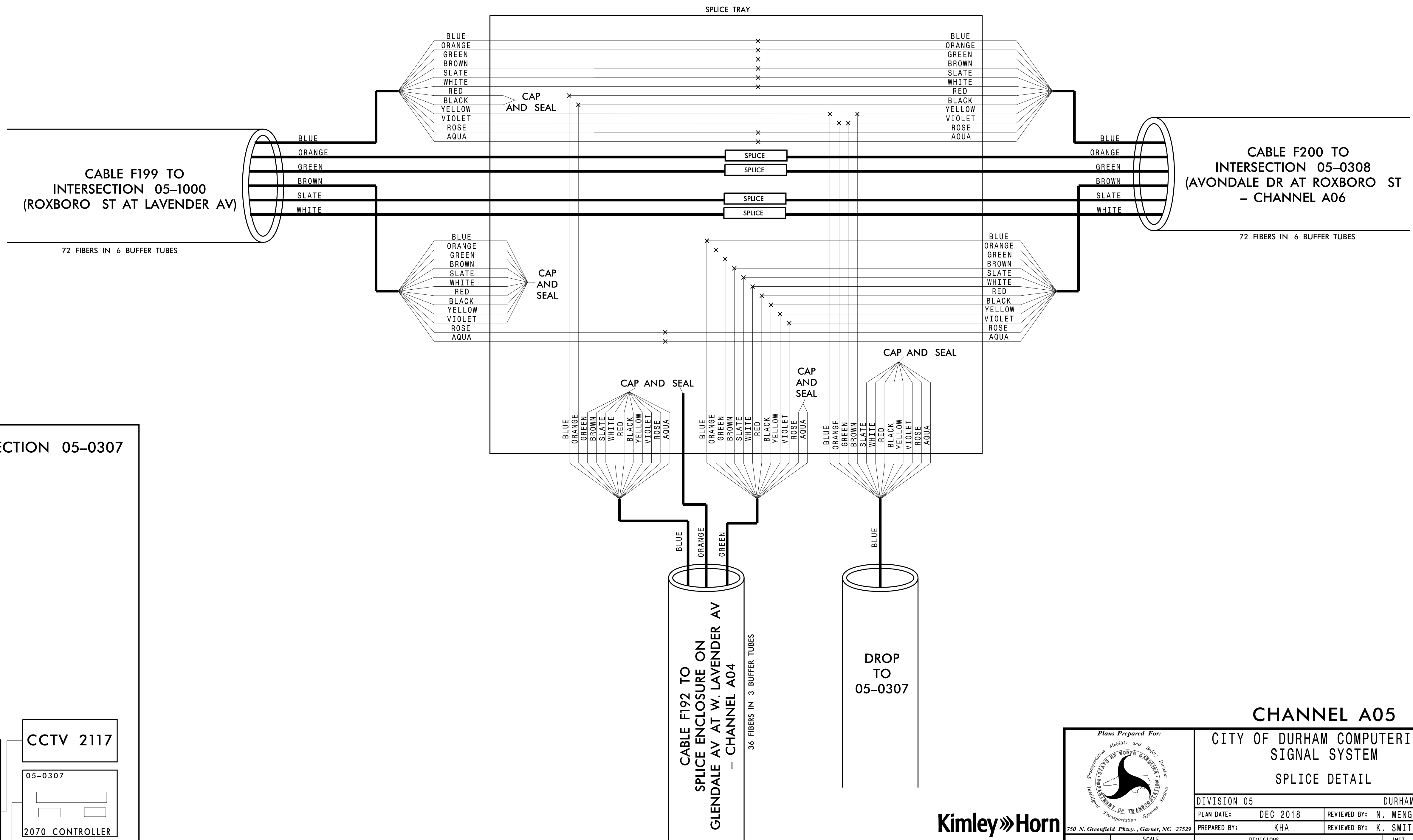
LEGEND

X - FUSION SPLICE INDIVIDUAL FIBER
 O - EXISTING SPLICE
 □ - EXPRESS INDIVIDUAL FIBER

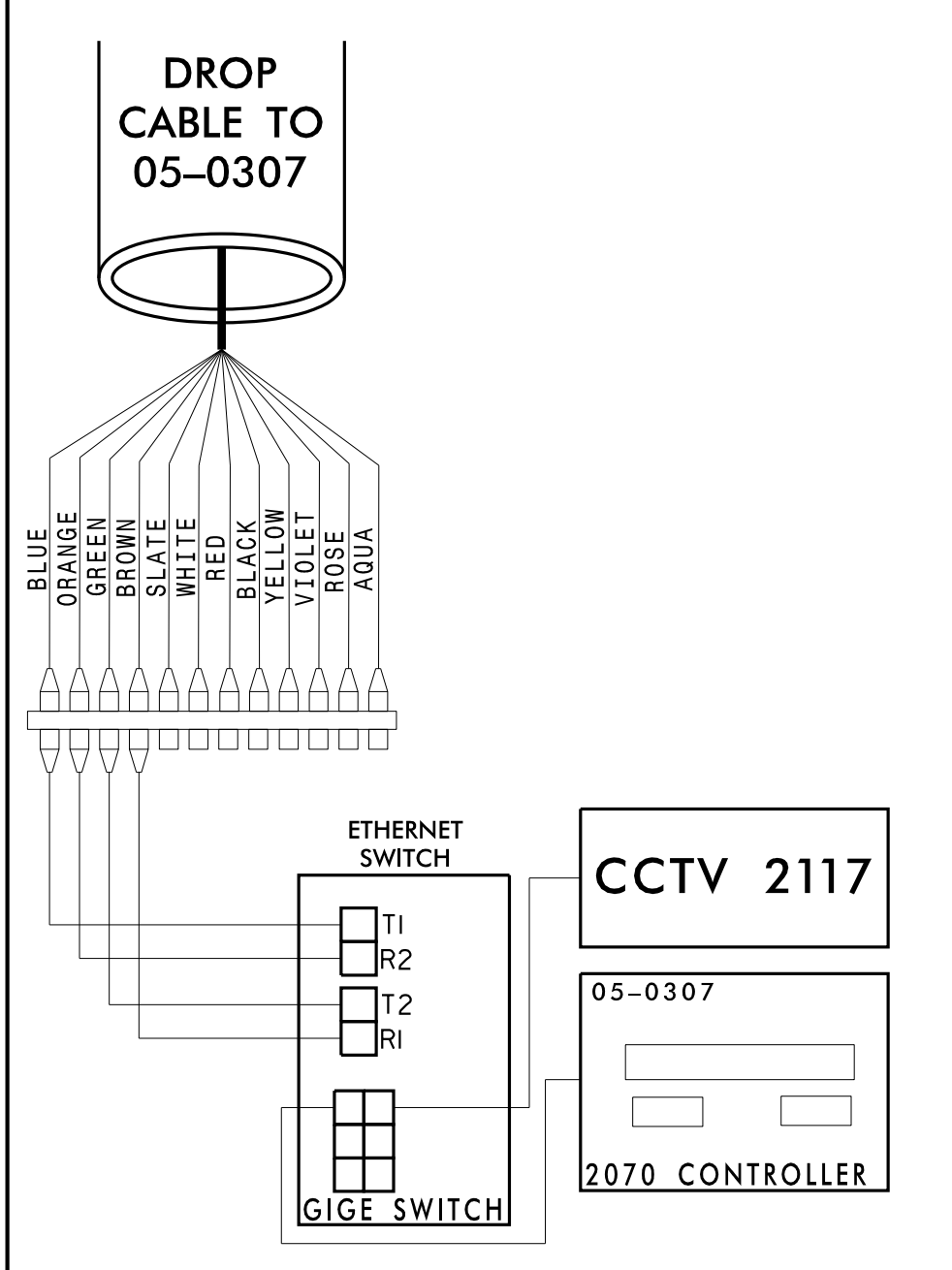
EXPRESS - EXPRESS ENTIRE BUFFER TUBE
 SPLICE - SPLICE ENTIRE BUFFER TUBE OR MAINTAIN IF EXISTING EXPRESSED

NOTES:

1. FIBER INTERCONNECT CENTER RACKS ARE SCHEMATIC ONLY - ACTUAL EQUIPMENT FORM MAY VARY.
2. ETHERNET SWITCH TERMINATION CONFIGURATIONS ARE GENERIC. CONTRACTOR IS RESPONSIBLE FOR DETERMINING /ENSURING PROPER TERMINATION.
3. CONTRACTOR IS RESPONSIBLE FOR FIELD VERIFYING EXISTING SPLICING. THE CONTRACTOR SHALL COORDINATE WITH THE ENGINEER WHERE EXISTING SPLICING IS NOT AS EXPECTED.



CABINET AT INTERSECTION 05-0307



CHANNEL A05

CITY OF DURHAM COMPUTERIZED SIGNAL SYSTEM
 SPLICE DETAIL

DIVISION 05 DURHAM COUNTY

PLAN DATE: DEC 2018 REVIEWED BY: N. MENDELKOCH

PREPARED BY: KHA REVIEWED BY: K. SMITH

REVISIONS: INIT. DATE

SCALE: 0

Kimley»Horn
 NC License #F-0102
 421 Fayetteville St., Suite 600
 Raleigh, NC 27636
 Tel: (919) 677-2000
 Fax: (919) 677-2050

Seal: NORTH CAROLINA PROFESSIONAL ENGINEER KEVIN W. SMITH SEAL 030472

DocuSigned by: Kevin Smith 12/19/2018

12/17/2018 K:\ARL\TPTD\ITS\01036410 - Durham Signal System\Plans\Splicing\U-5968 - ITS_spl_CHA05_072_05-0307.dgn