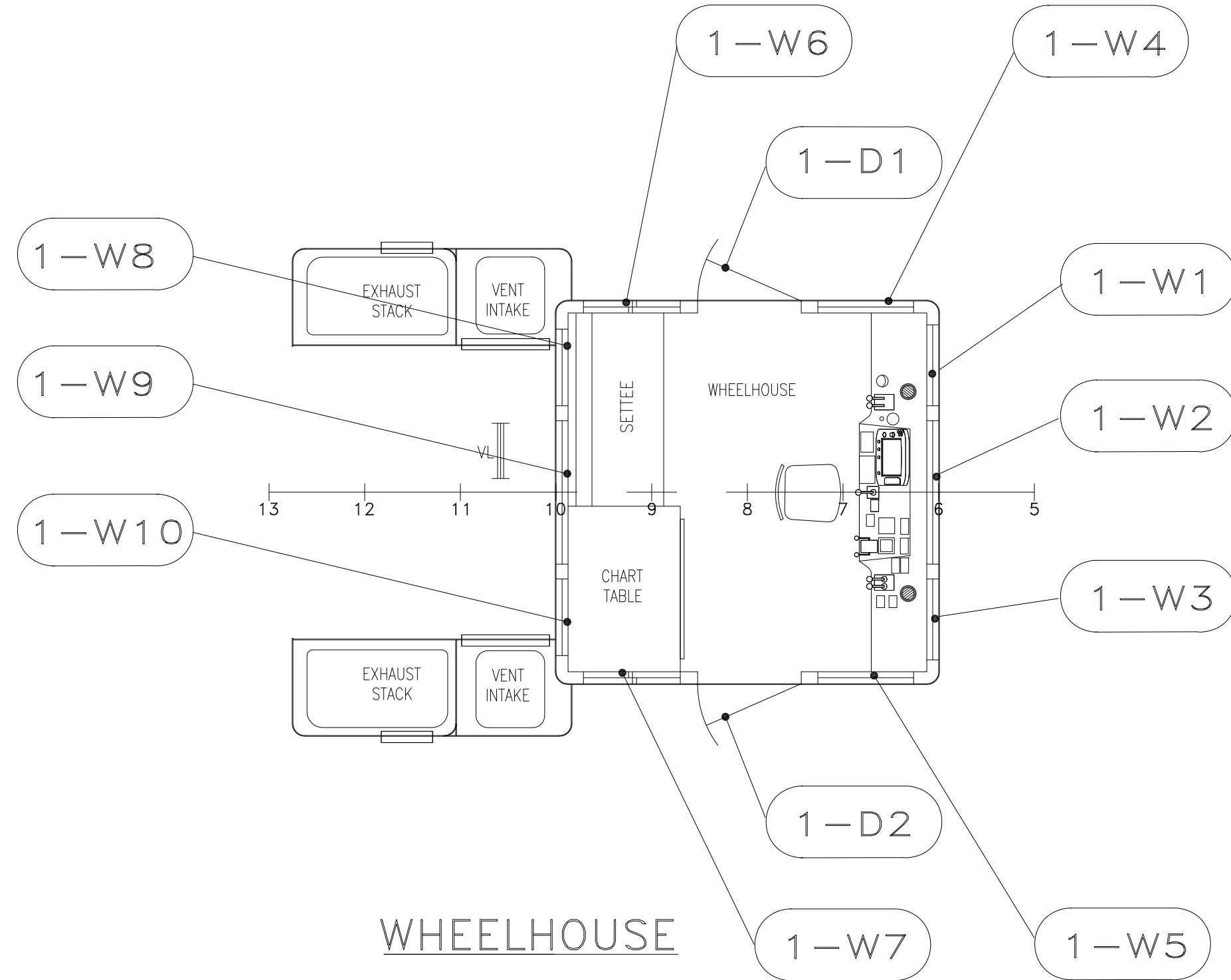


SECTION A-A WINDOW MOUNTING DETAIL



WHEELHOUSE

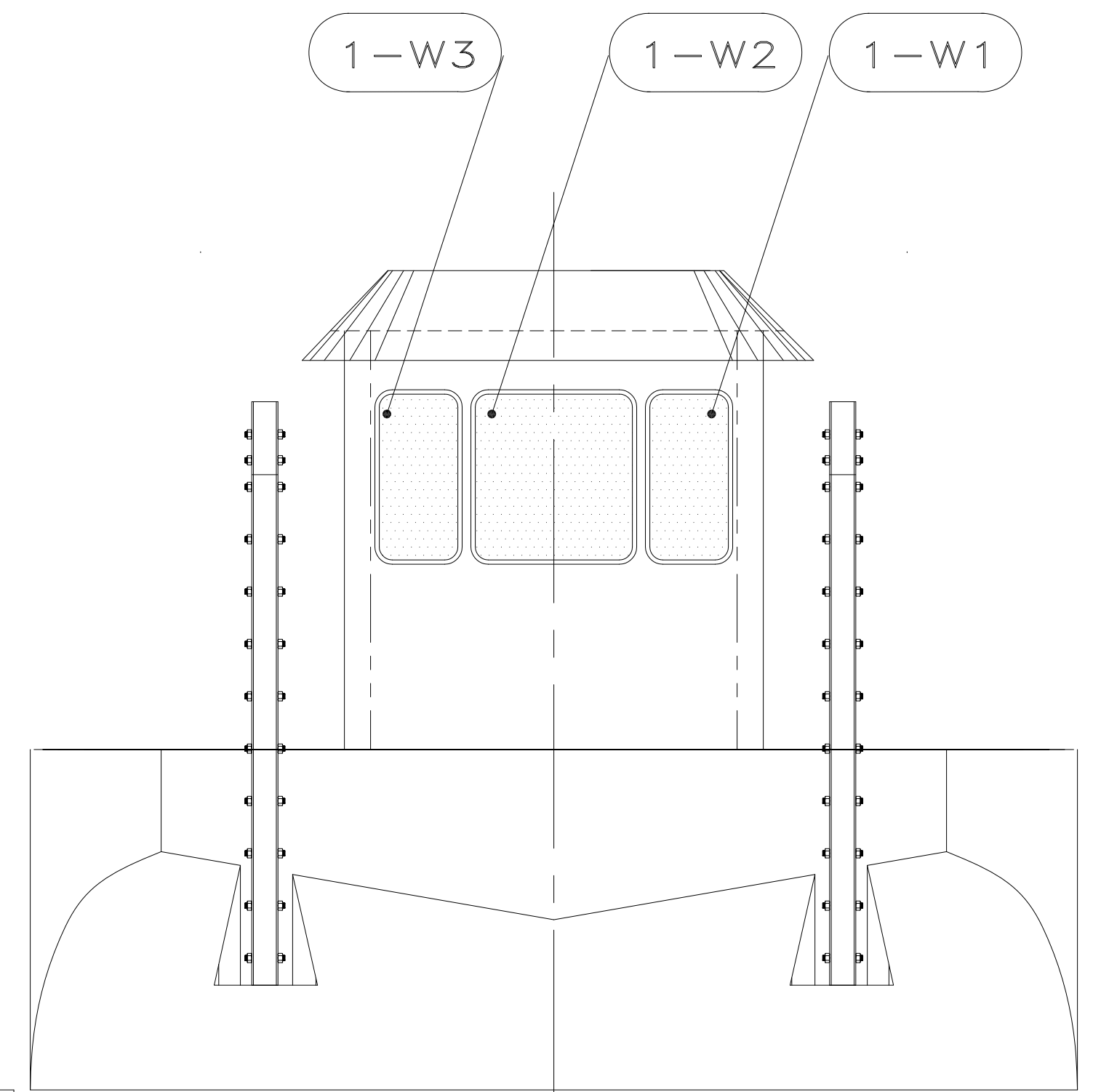
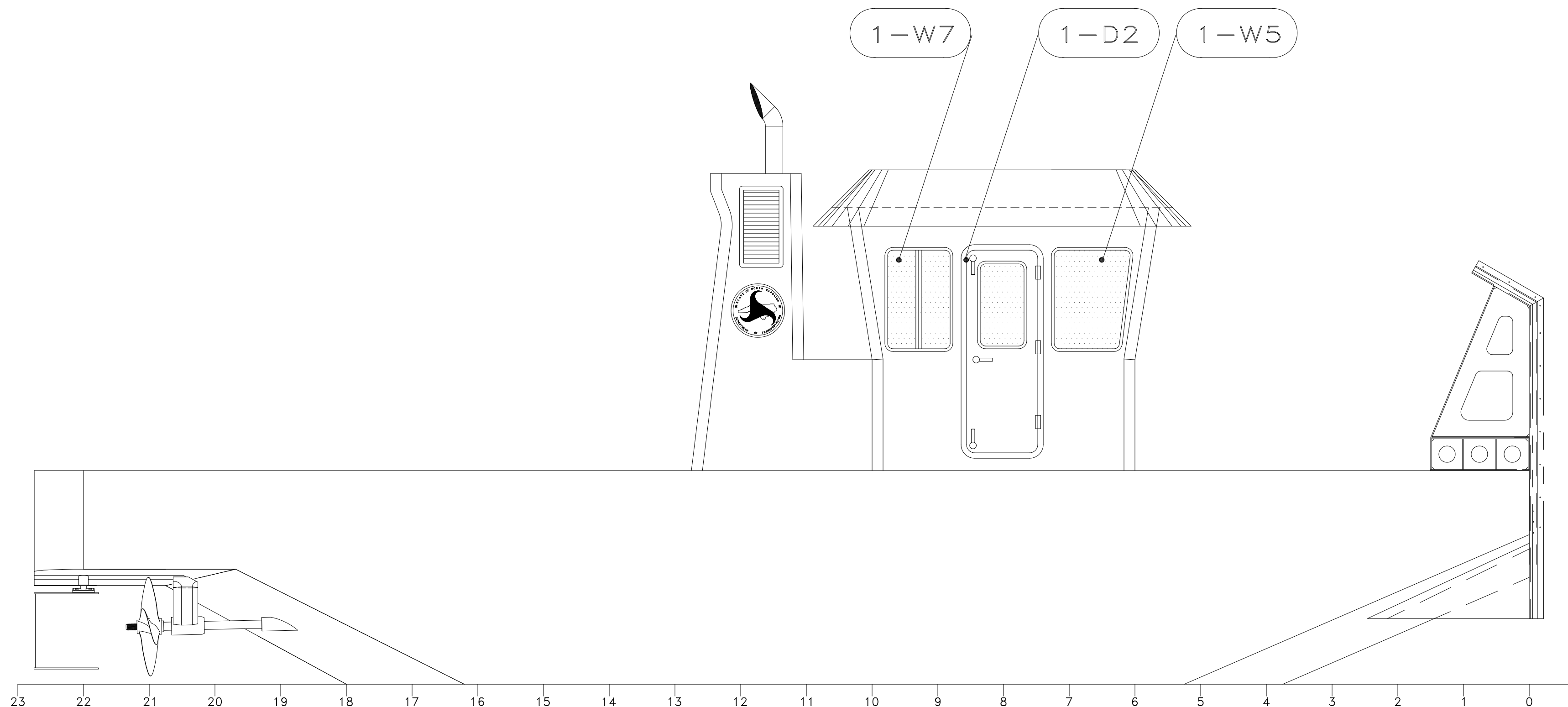
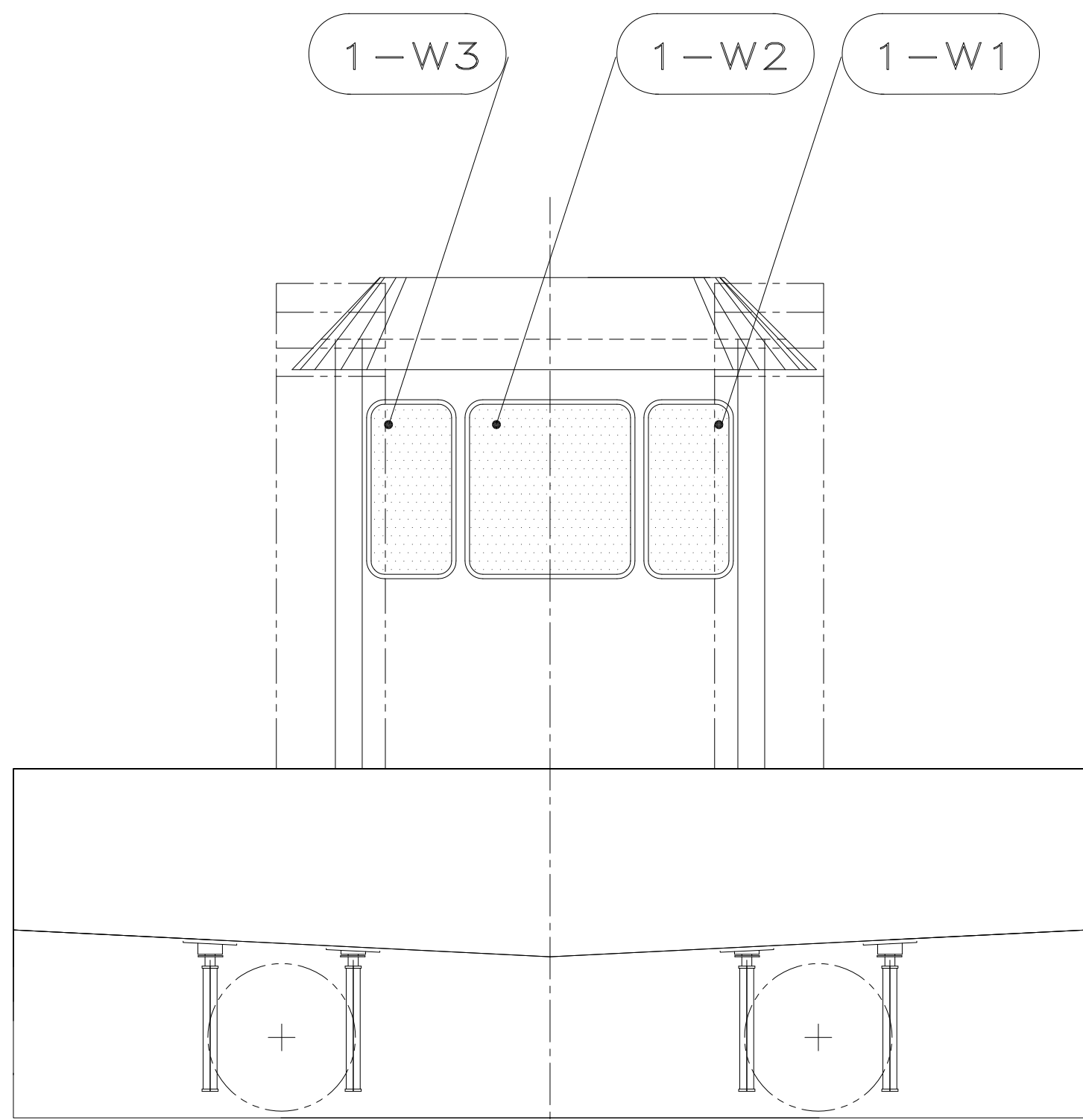
DOOR & WINDOW SCHEDULE

MAIN DECK DOORS

ITEM	SIZE	TYPE	LOCATION	GLASS THICK	CORNER RADIUS	FINISH	NOTES
1-D1	26"W X 74"H	DOOR, WEATHERTIGHT ALUMINUM 4 SIDED SS BOLT-ON FRAME 2 DOGS, THERMAL INSULATION, 16"W X 30"H WINDOW, CLEAR GLASS	W.H. PORT SIDE 6" SILL	1/4"	4"	COATED WITH WHEELHOUSE PAINT SYSTEM	DOORS TO BE INSTALLED WITH LATCHES, LOCKS, HOLDBACKS & BUMBERS
1-D2	26"W X 74"H		W.H. STDB SIDE 6" SILL				

MAIN DECK WINDOWS

ITEM	SIZE	TYPE	LOCATION	GLASS THICK	CORNER RADIUS	FINISH	NOTES
1-W1	18"W X 38.5"H	WINDOW, FIXED, CLAMP-IN	FWD PILOT HOUSE, PORT	3/8"	3"	POWDER COATED ALUMINUM	CLEAR GLASS
1-W2	36"W X 38.5"H	WINDOW, FIXED, CLAMP-IN	FWD PILOT HOUSE, CENTER	9/16"	3"	POWDER COATED ALUMINUM	CLEAR GLASS
1-W3	18"W X 38.5"H	WINDOW, FIXED, CLAMP-IN	FWD PILOT HOUSE, STBD	3/8"	3"	POWDER COATED ALUMINUM	CLEAR GLASS
1-W4	26"W X 36"H	WINDOW, FIXED, CLAMP-IN	PORT SIDE PH FWD	5/16"	3"	POWDER COATED ALUMINUM	CLEAR GLASS
1-W5	26"W X 36"H	WINDOW, FIXED, CLAMP-IN	STBD SIDE PH FWD	5/16"	3"	POWDER COATED ALUMINUM	CLEAR GLASS
1-W6	23"W X 36"H	WINDOW, SLIDING, CLAMP-IN	PORT SIDE PH AFT	5/16"	3"	POWDER COATED ALUMINUM	CLEAR GLASS
1-W7	23"W X 36"H	WINDOW, SLIDING, CLAMP-IN	STBD SIDE PH AFT	5/16"	3"	POWDER COATED ALUMINUM	CLEAR GLASS
1-W8	18"W X 38.5"H	WINDOW, FIXED, CLAMP-IN	AFT PILOT HOUSE, PORT	5/16"	3"	POWDER COATED ALUMINUM	CLEAR GLASS
1-W9	36"W X 38.5"H	WINDOW, FIXED, CLAMP-IN	AFT PILOT HOUSE, CENTER	3/8"	3"	POWDER COATED ALUMINUM	CLEAR GLASS
1-W10	18"W X 38.5"H	WINDOW, FIXED, CLAMP-IN	AFT PILOT HOUSE, STBD	1/4"	3"	POWDER COATED ALUMINUM	CLEAR GLASS



PROFILE

GENERAL NOTES

NO.	DESCRIPTION
1.0	VESSEL TO BE CONSTRUCTED IN ACCORDANCE WITH 46 CFR SUBCHAPTER M
2.0	ALL GLASS SHALL BE TEMPERED SAFETY GLASS
3.0	WINDOW SIZES TO BE VERIFIED WITH LOFTED PLATE CUT OUTS
4.0	SEE SECTION A-A FOR WINDOW MOUNTING DETAIL

PROFESSIONAL ENGINEER

DeJong & Lebet, Inc.
Naval Architects
Marine Engineers
Consultants
Surveyors

1734 Emerson Street
Jacksonville, Florida 32207
www.dejongandlebet.com

Phone: (904) 599-3673
Fax: (904) 599-1522
Info@dejongandlebet.com

Title: 45.5' x 20' x 6.5' NCDOT TOWBOAT

DOOR & WINDOW SCHEDULE

Dwg. No. 17-1393-625 Alt. No. 0 Sht. 1 of 1

Drawn By: JAH Date: NOVEMBER 26, 2018
Checked By: Date:
App'd By: Scale: 3/8" = 1'-0"
ABS App'l: USCG App'l: