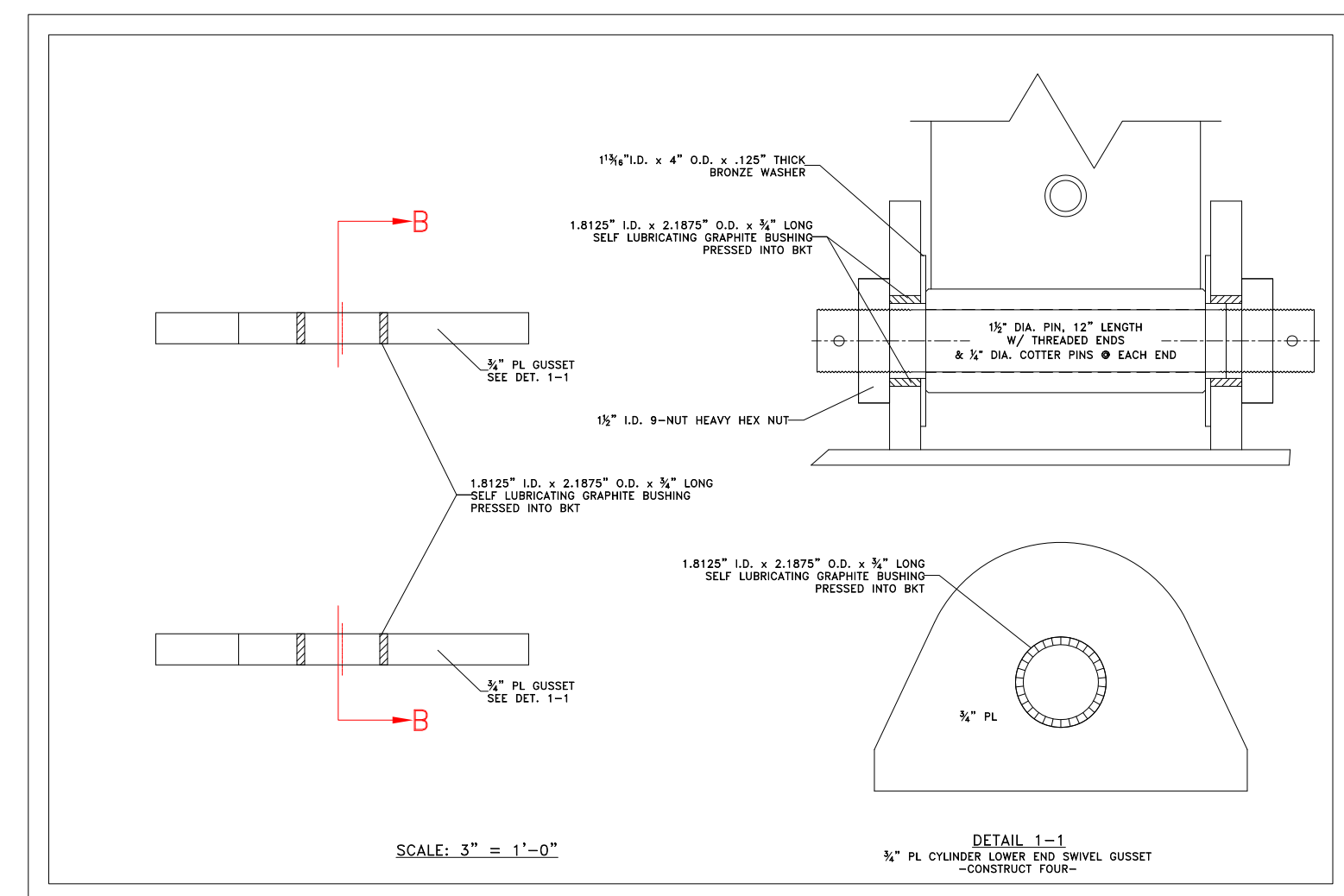
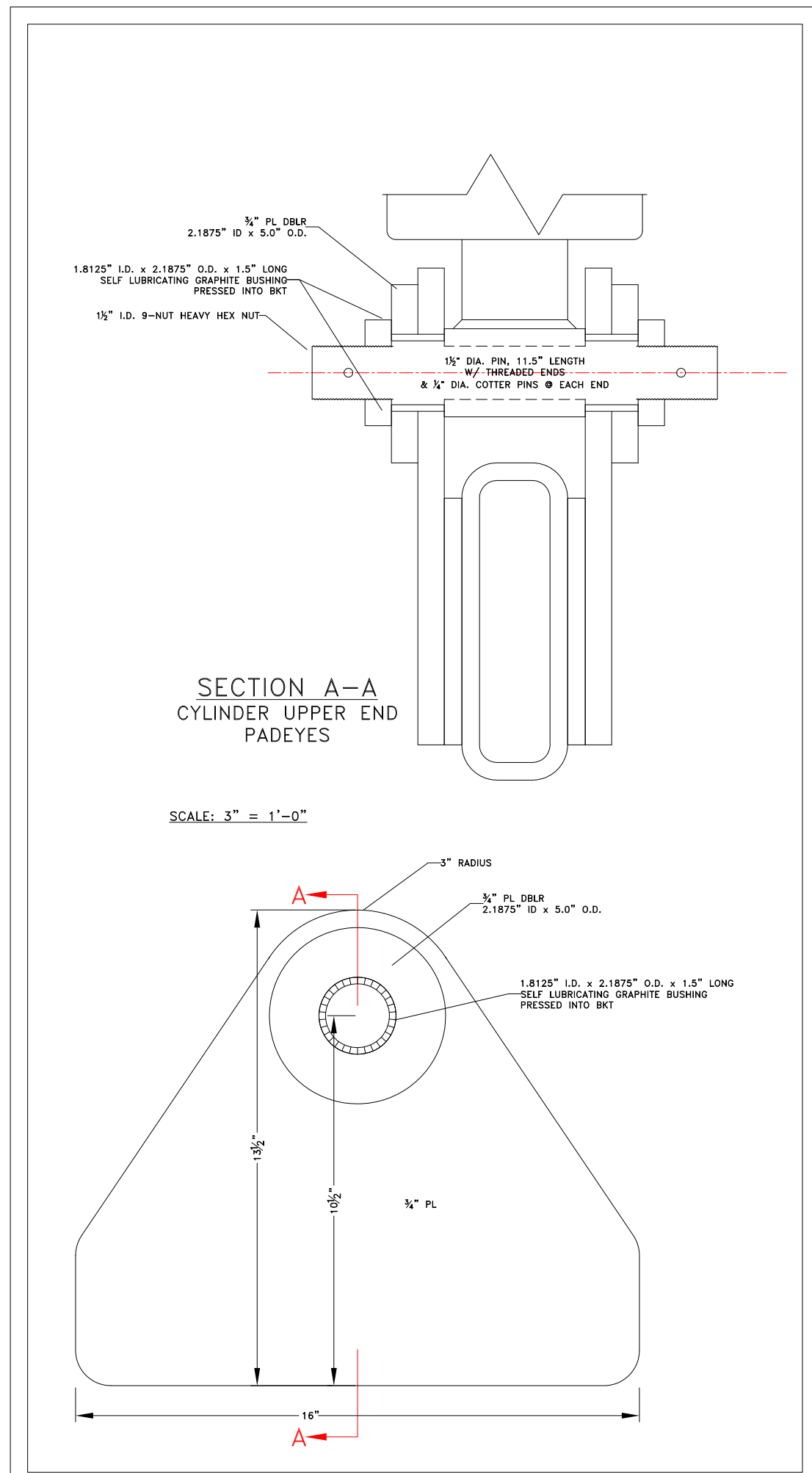


FOOTPRINT A-FRAME

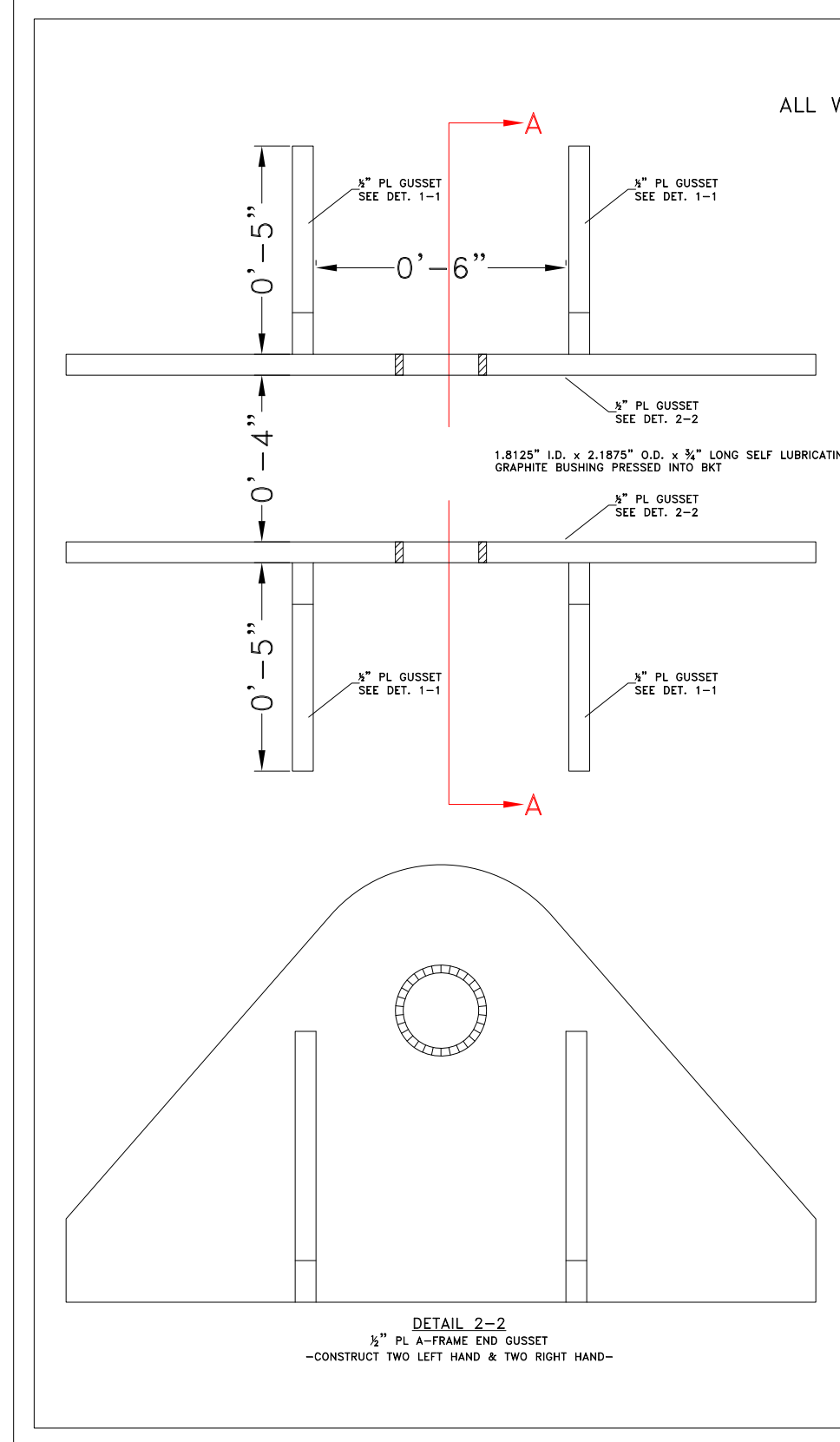


DETAIL A-A  
HYDRAULIC CYLINDER  
LOWER END GUSSET DETAIL



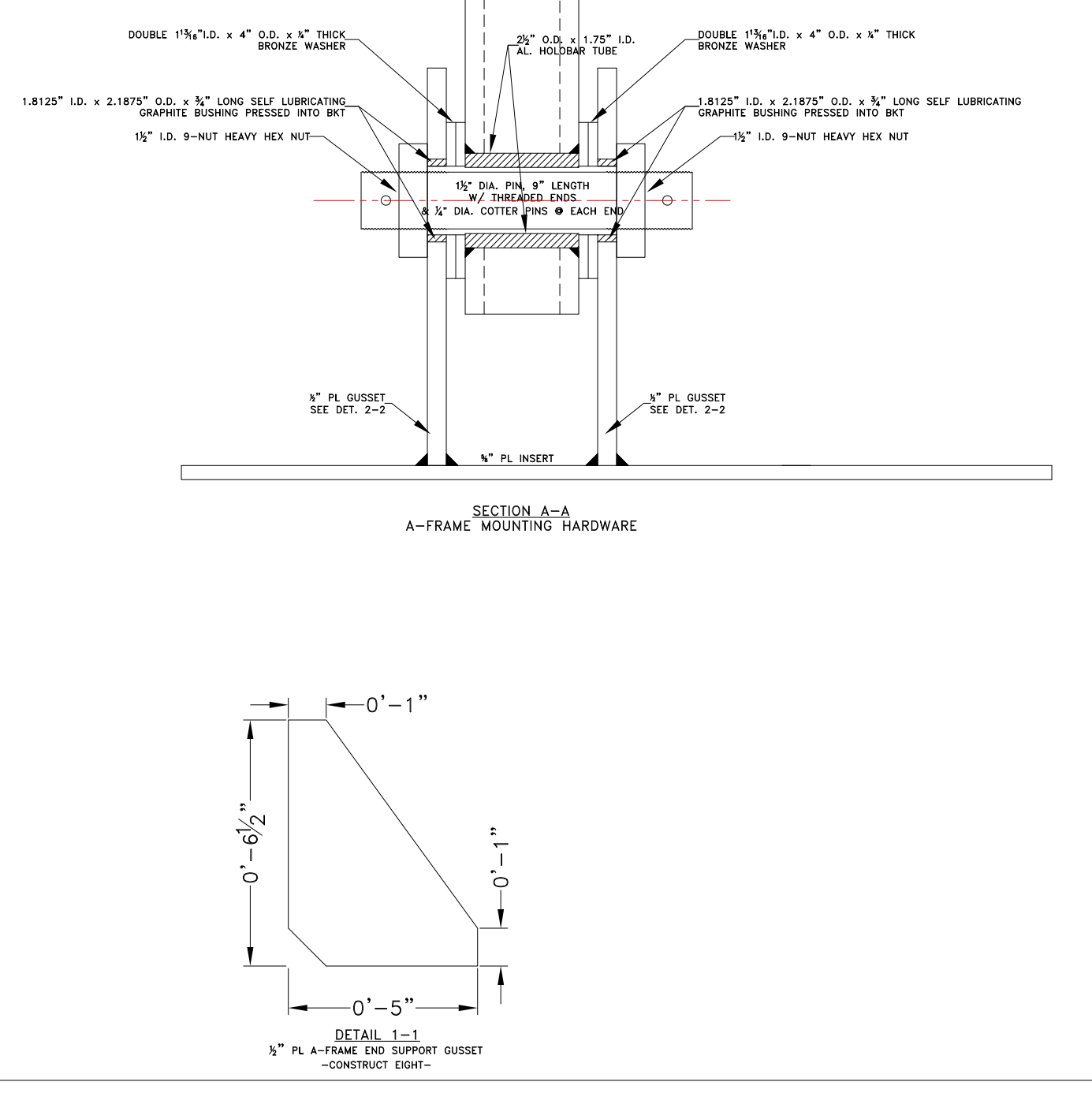
SECTION A-A  
CYLINDER UPPER END  
PAIDEYES

DETAIL B-B  
HYDRAULIC CYLINDER  
UPPER END GUSSET  
ATTACHMENT TO A-FRAME



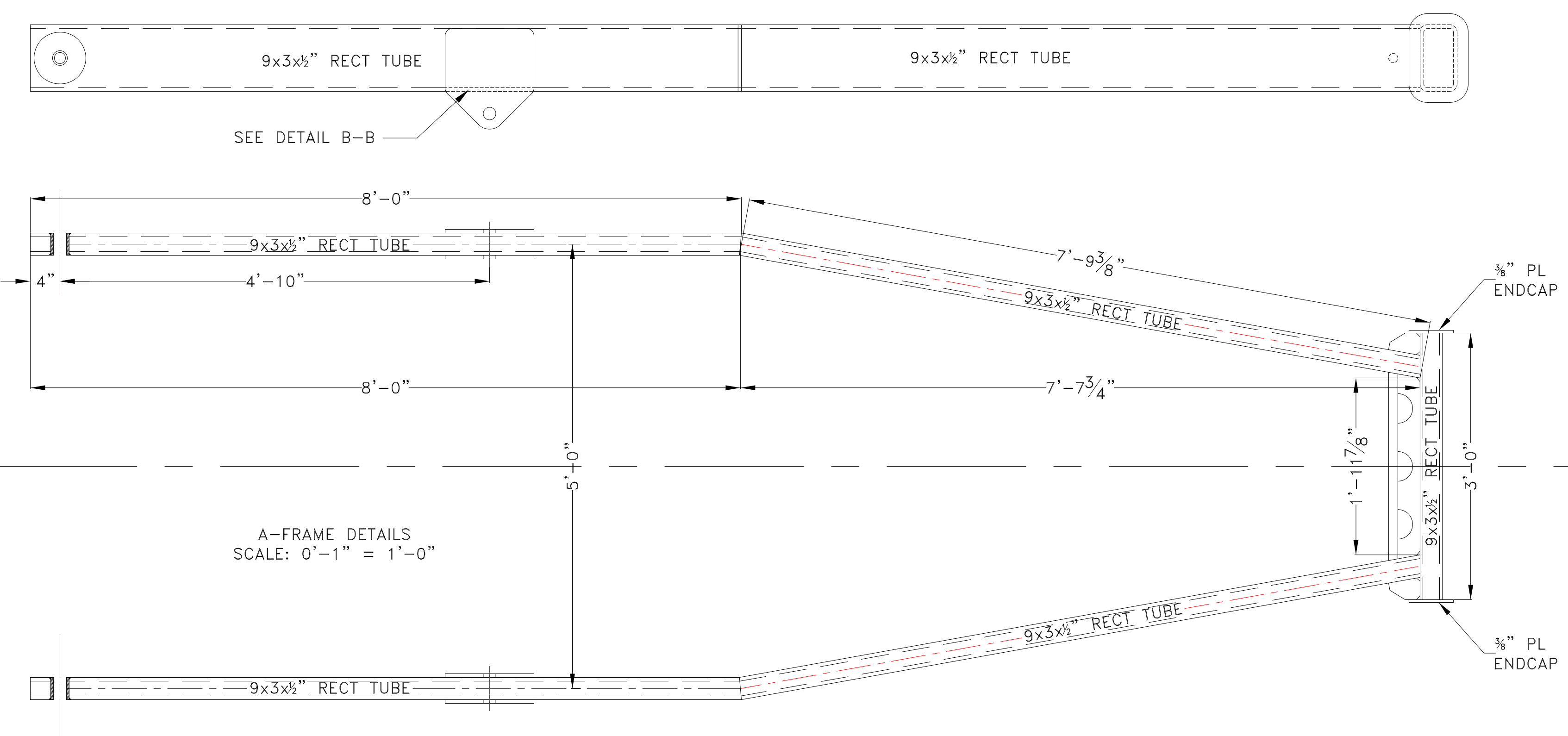
DETAIL 2-2  
A-FRAME END GUSSET  
-CONSTRUCT TWO LEFT HAND & TWO RIGHT HAND-

CONSTRUCT A-FRAME PAIDEYE  
FROM A36 MILD STEEL  
ALL WELDING TO BE 3/16" LEG CONTINUOUS

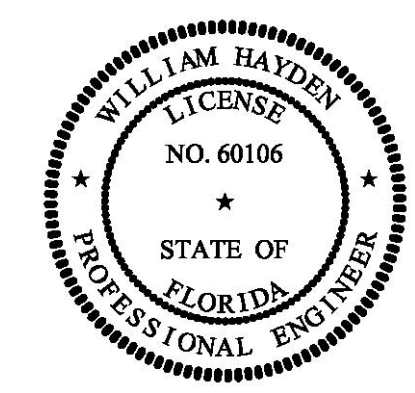


SECTION A-A  
A-FRAME MOUNTING HARDWARE

DETAIL C-C  
A-FRAME  
LOWER END GUSSET  
ATTACHMENT TO DECK



A-FRAME DETAILS  
SCALE: 0'-1" = 1'-0"



PROFESSIONAL RIGHTS

This document discloses matter in which DeJong & Lebel, Incorporated has proprietary rights. Neither receipt nor possession thereof confers or transfers any right to reproduce, disclose or use in any manner this document in whole or in part or any information contained herein, except by written permission, or written agreement with DeJong & Lebel, Incorporated.

In the event of a purchase of this document the purchaser is authorized to construct no more than one device in accord herewith, unless otherwise signed to in writing by DeJong & Lebel, Incorporated.

© 2018 by DeJong & Lebel, Inc.

**DeJong & Lebel, Inc.**  
Naval Architects  
Marine Engineers  
Consultants  
Surveyors

1734 Emerson Street  
Jacksonville, Florida 32207  
www.dejongandlebel.com

Phone: (904) 599-3673  
Fax: (904) 599-1522  
Info@dejongandlebel.com

Title: 45.5'x20'x6.5" NCDOT PUSHBOAT

**A-FRAME DETAILS**

Dwg. No. 17-1393-185 Alt. No. 0 Sht. 1 of 1

Drawn By: JACOB CONNALLY Date: JUNE 05, 2018  
Checked By: \_\_\_\_\_ Date: \_\_\_\_\_  
App'd By: \_\_\_\_\_ Scale: AS NOTED  
ABS App'l: \_\_\_\_\_ USCG App'l: \_\_\_\_\_