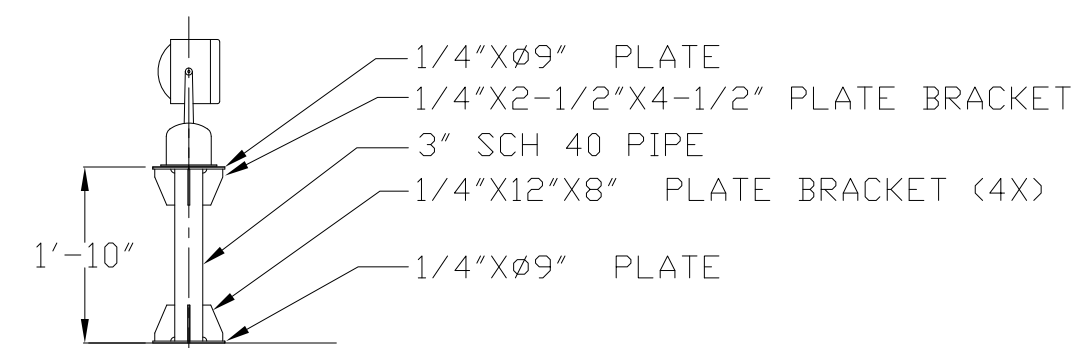
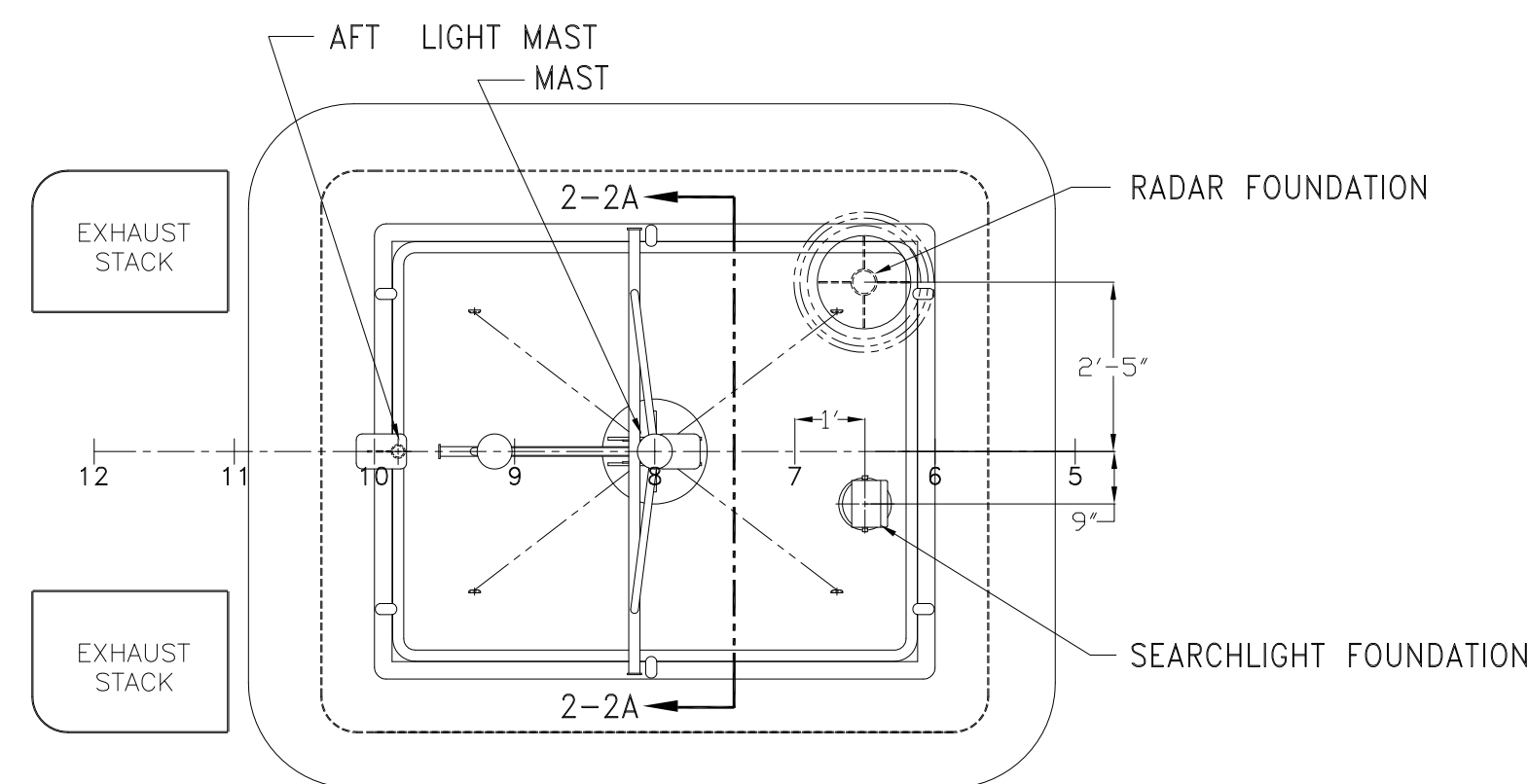


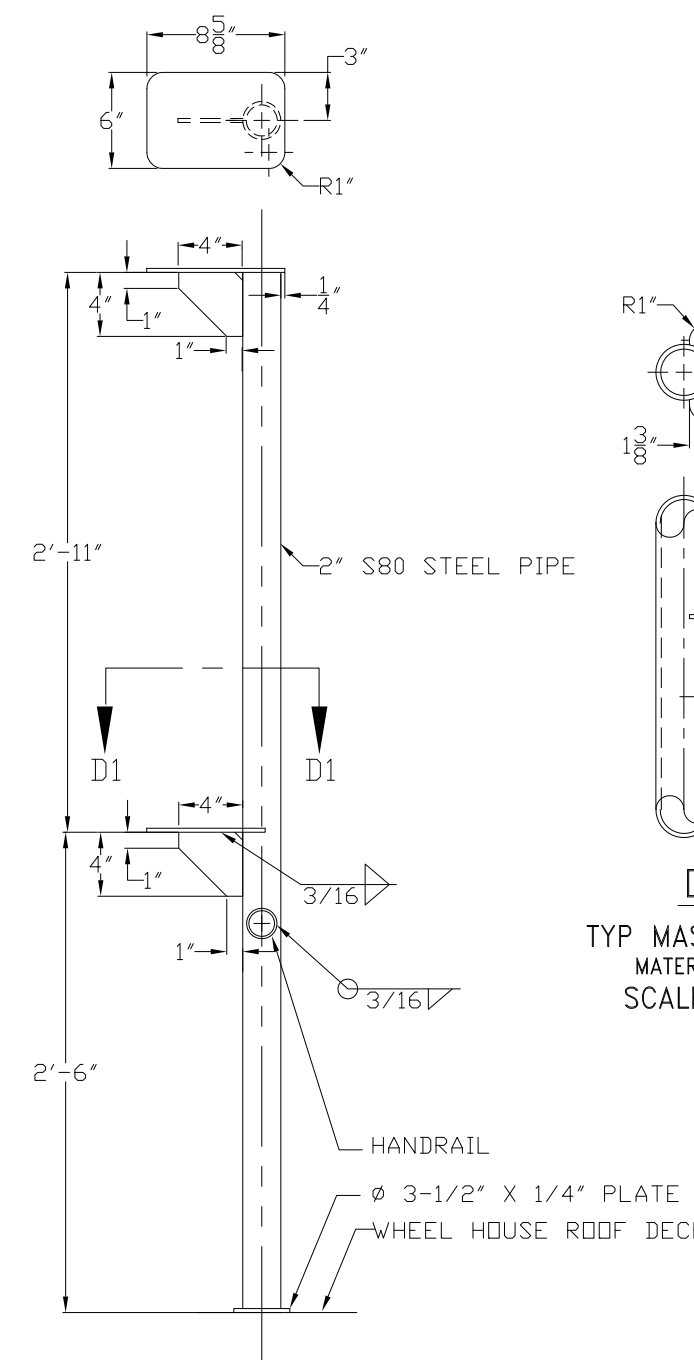
ELEVATION 2-3B
 RADAR MAST
 2'-5" OCL
 SCALE: 1/2"=1'-0"



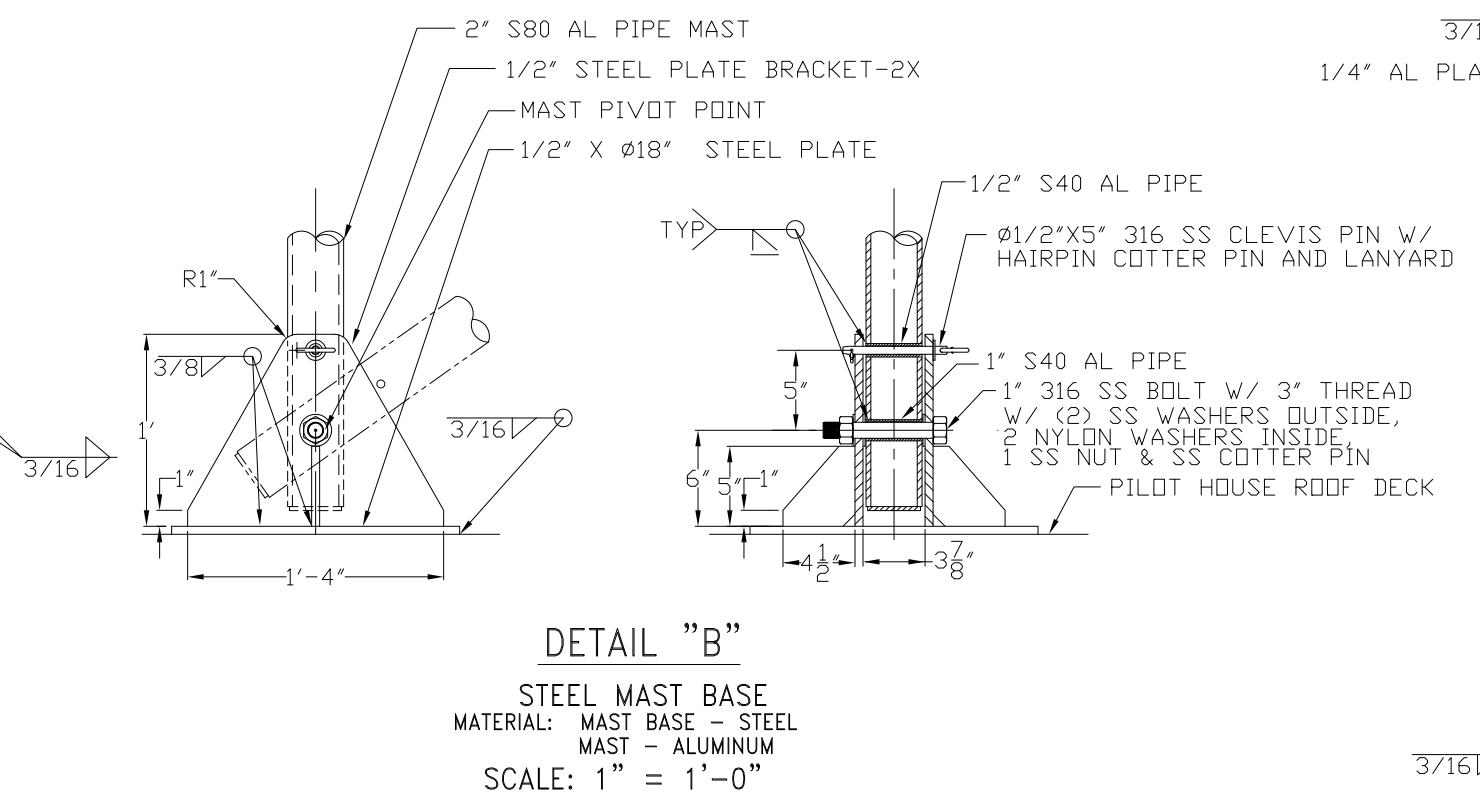
ELEVATION 2-3A
 SEARCHLIGHT FOUNDATION
 9" OCL STARBOARD
 SCALE: 1/2"=1'-0"



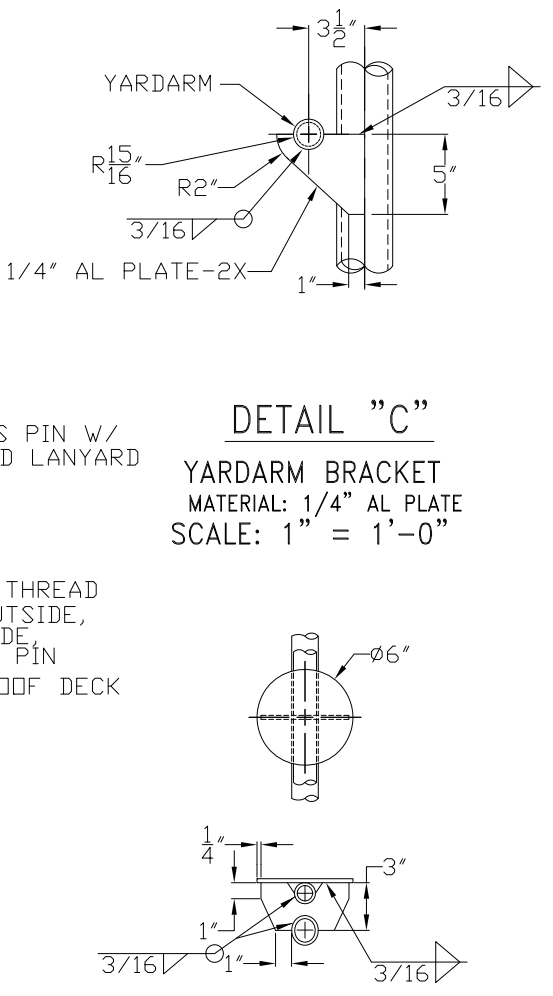
ELEVATION 2-1A
 AFT LIGHT MAST
 MATERIAL: 1/4" STEEL PLATE
 2" SCHED 80 STEEL PIPE
 SCALE: 1" = 1'-0"



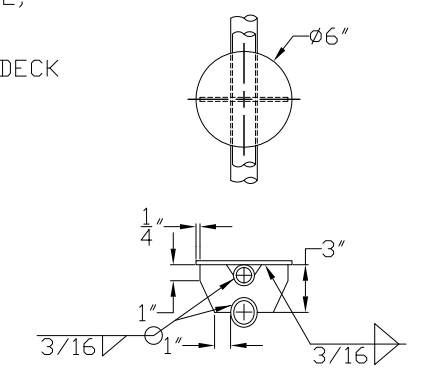
DETAIL "A"
 TYP MAST NAV LIGHT MOUNT
 MATERIAL: 1/4" AL PLATE
 SCALE: 1" = 1'-0"



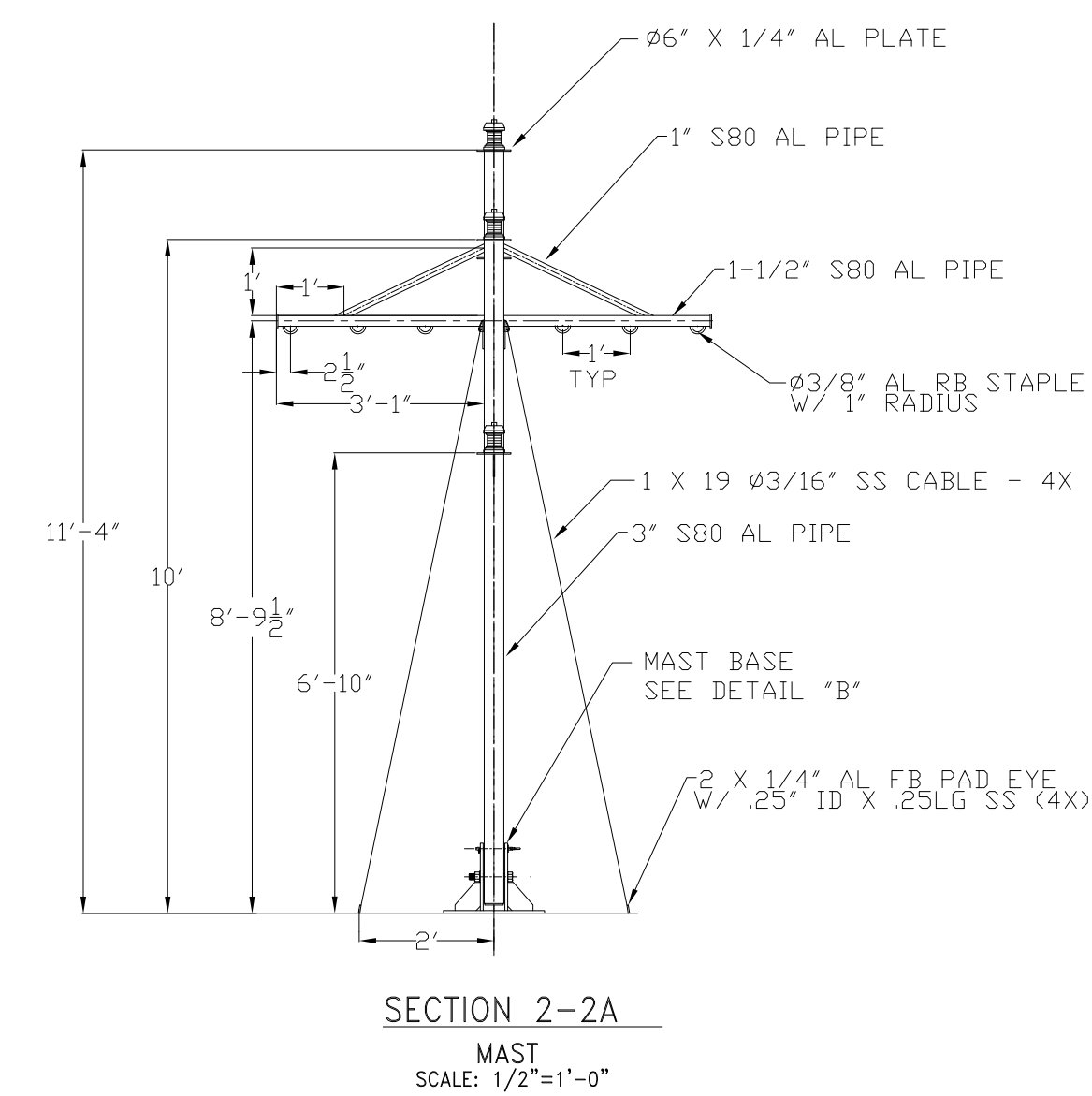
DETAIL "B"
 STEEL MAST BASE
 MATERIAL: MAST BASE - STEEL
 MAST - ALUMINUM
 SCALE: 1" = 1'-0"



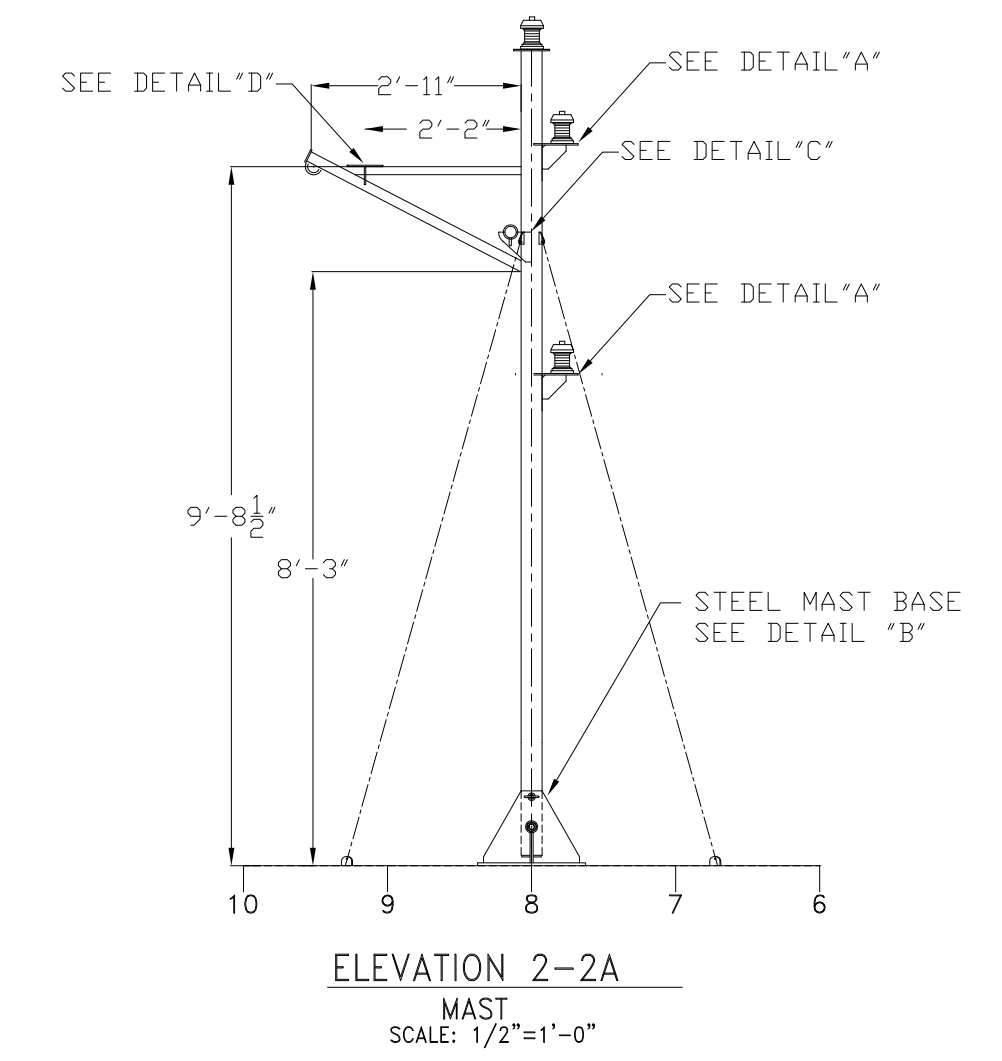
DETAIL "C"
 YARDARM BRACKET
 MATERIAL: 1/4" AL PLATE
 SCALE: 1" = 1'-0"



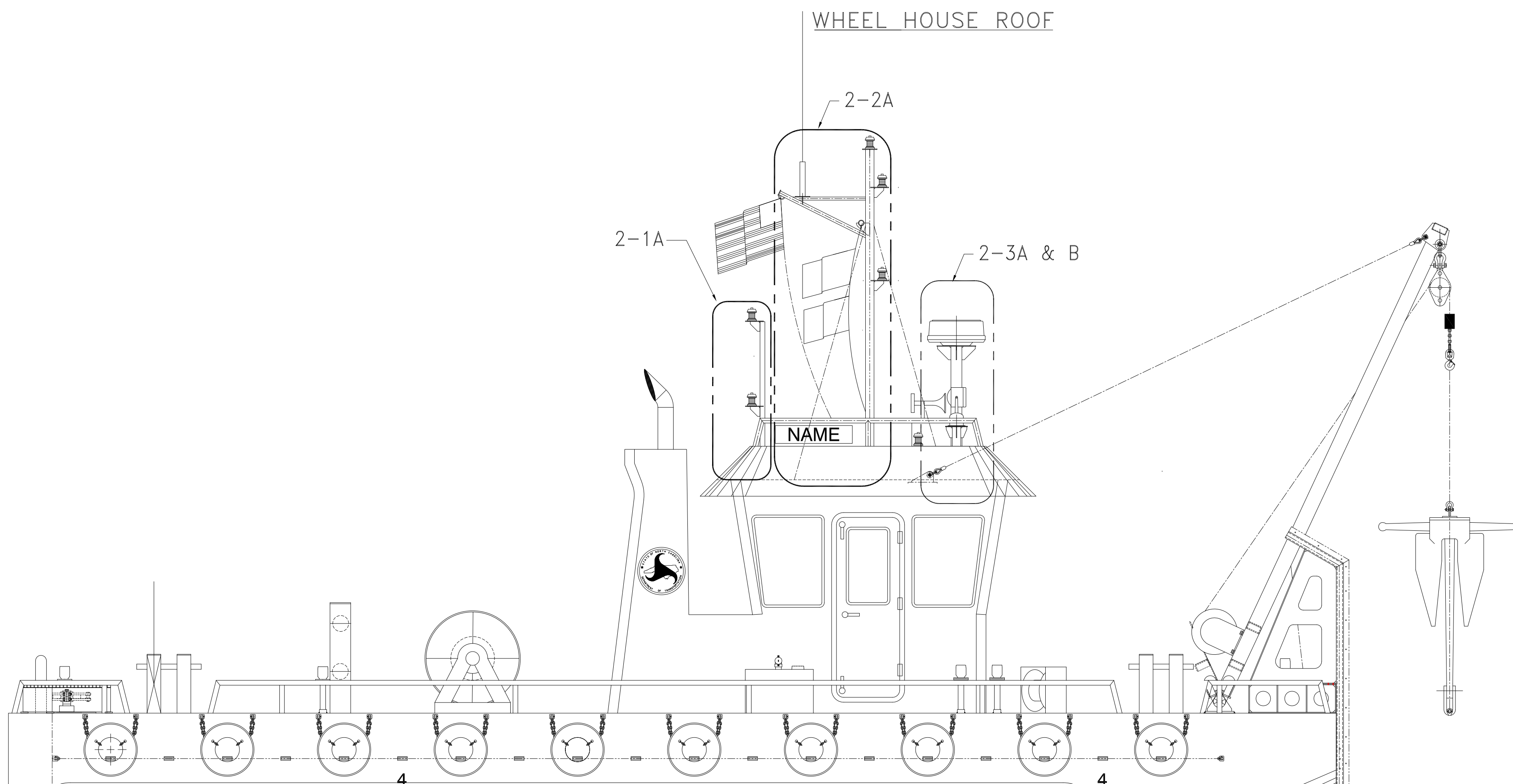
DETAIL "D"
 ANTENNA BRACKET
 MATERIAL: 1/4" AL PLATE
 SCALE: 1" = 1'-0"



SECTION 2-2A
 MAST
 SCALE: 1/2"=1'-0"



ELEVATION 2-2A
 MAST
 SCALE: 1/2"=1'-0"



PROFILE

PROPRIETARY RIGHTS
 This document discloses matter in which DeJong & Lebel, Incorporated has proprietary rights. Neither receipt nor possession thereof confers or transfers any right to reproduction, disclosure or use in any manner this document in whole or in part or any information contained herein, except by written permission, as written agreement with DeJong & Lebel, Incorporated.
 In the event of a purchase of this document the purchaser is authorized to construct no more than one device in accord herewith, unless otherwise agreed to in writing by DeJong & Lebel, Incorporated.
 © 2018 by DeJong & Lebel, Inc.

DeJong & Lebel, Inc.
 Naval Architects
 Marine Engineers
 Consultants
 Surveyors
 1734 Emerson Street
 Jacksonville, Florida 32207
 www.dejongandlebel.com
 Phone: (904) 599-3673
 Fax: (904) 599-1522
 Info@dejongandlebel.com

Title: 45.5'x20'x6.5' NCDOT PUSHBOAT

MAST DETAILS

Dwg. No. 17-1393-171
 Art. No. 0
 Sht. 1 of 1

Drawn By: JACOB CONNALLY
 Checked By: _____
 App'd By: _____
 ABS App'l: _____

Date: JUNE 05, 2018
 Date: _____
 Scale: AS NOTED
 USCG App'l: _____

