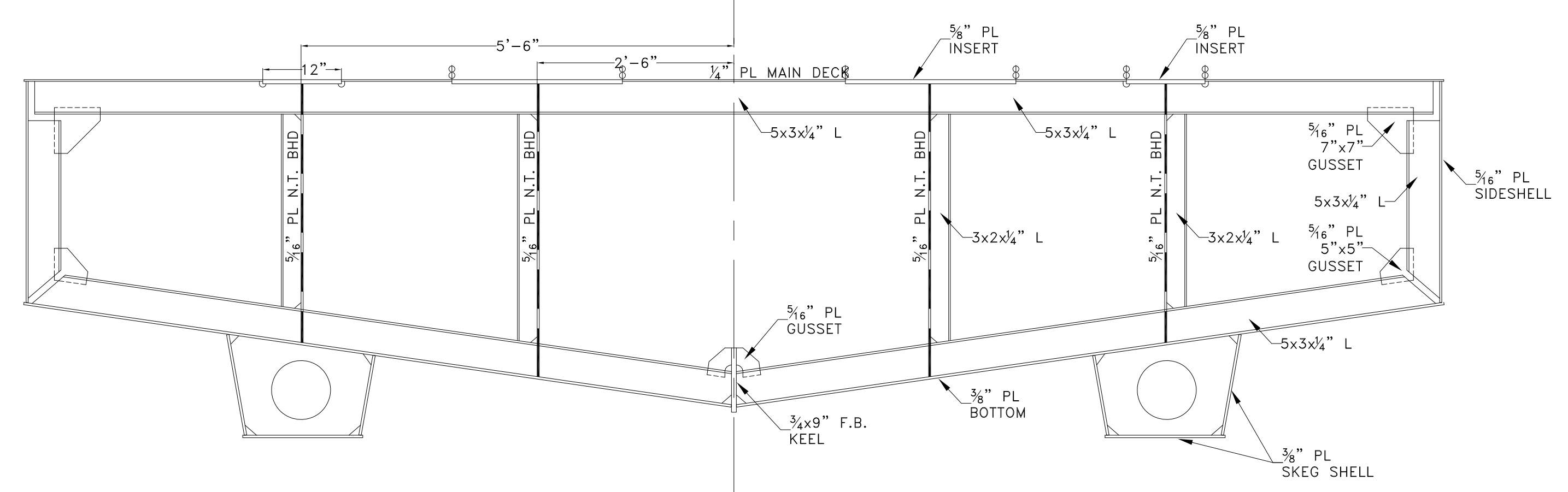
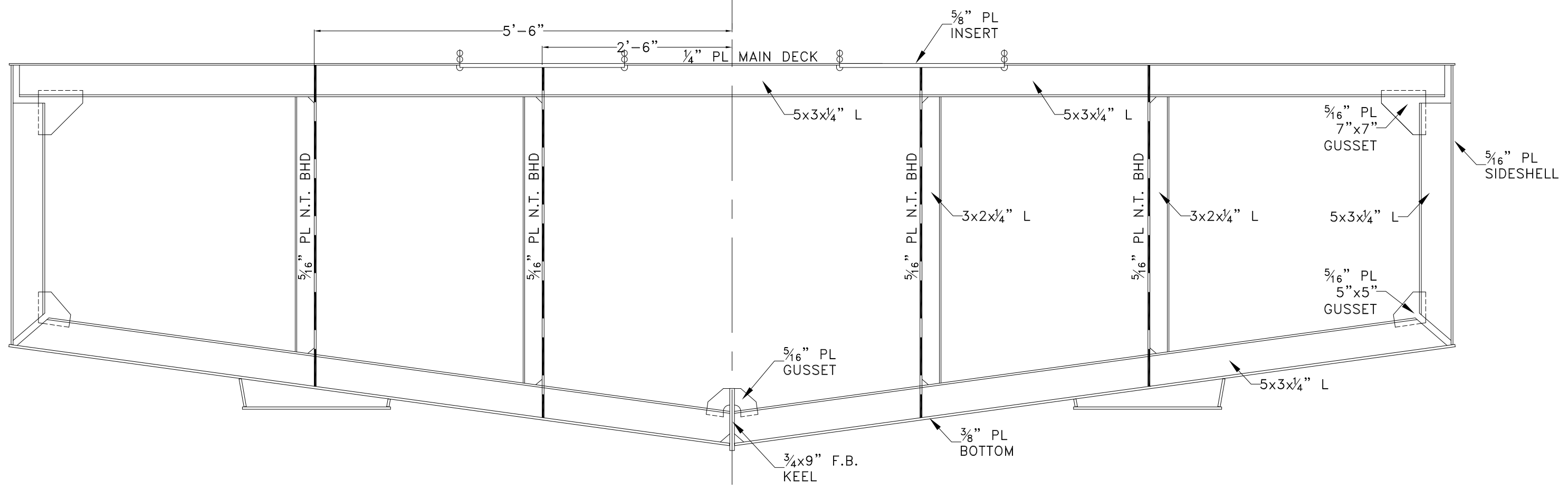


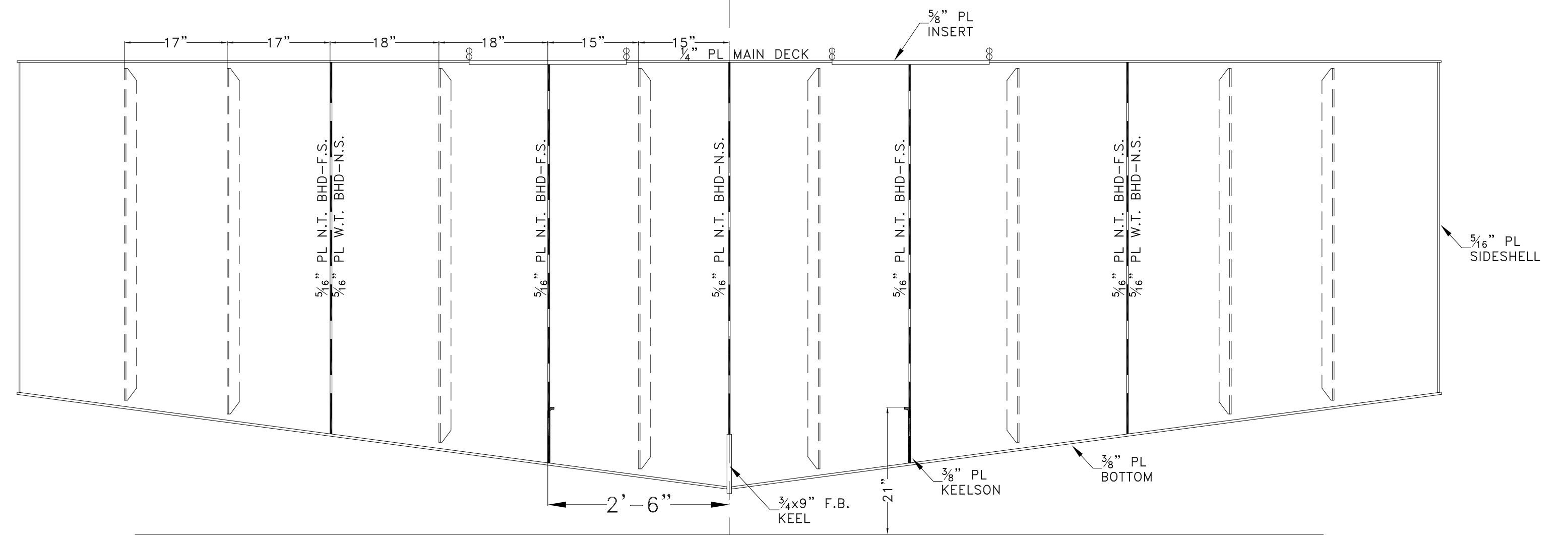
**BOW PLATE @ FR 0**  
 5/16" PL W/ 3x2x1/4" L STIFFENERS ON AFT FACE  
 UNLESS OTHERWISE NOTED  
 -SHOWN LKG FWD-



**TRANSVERSE SECTION @ FR 1**  
 -SHOWN LKG FWD-



**TRANSVERSE SECTION @ FR 2**  
 -SHOWN LKG FWD-



**TRANSVERSE W.T. BHD @ FR 3**  
 5/16" PL W/ 3x2x1/4" L STIFFENERS ON FWD FACE  
 UNLESS OTHERWISE NOTED  
 -SHOWN LKG FWD-

**WELD SCHEDULE-TYPICAL**

<p>WELD DBL. CONT. FOR 2 1/2" @ EACH END</p> <p>FRAMES TO HULL &amp; SIDESHELL</p>	<p>WELD DBL. CONT. FOR 2 1/2" @ EACH END</p> <p>TRANSVERSE STIFFENERS TO MAIN DECK</p>
<p>WELD DBL. CONT. FOR 100% OF STIFF L @ EACH END TYP.</p> <p>1. STIFFENERS TO W.T. BHDS 2. STIFFENERS HULL &amp; SIDESHELL PLATING</p>	<p>WELD DBL. CONT. FOR 8" @ EACH END</p> <p>LONGITUDINAL GIRDERS TO MAIN DECK</p>
<p>W.T. BHDS TO SHELL PLATING</p>	<p>1. BOTTOM FRAME BUTT TO KEEL PLATE 2. CORNER BRACKETING</p>
<p>N.T. BHDS TO SHELL PLATING</p>	<p>F.T. STAIRS TO F.T. BHDS</p>
<p>WELD DBL. CONT. FOR 1 1/2" @ EACH END</p> <p>STIFFENERS TO N.T. BHDS</p>	

PROSPECTIVE RIGHTS

This document discloses matter in which DeJong & Lebet, Incorporated has proprietary rights. Neither receipt nor possession thereof confers or transfers any right to reproduce, disclose or use in any manner this document in whole or in part or any information contained herein, except by written permission, or written agreement with DeJong & Lebet, Incorporated.

In the event of a purchase of this document the purchaser is authorized to construct no more than one device in accord herewith, unless otherwise signed to in writing by DeJong & Lebet, Incorporated.

© 2018 DeJong & Lebet, Inc.

**DeJong & Lebet, Inc.**  
 Naval Architects  
 Marine Engineers  
 Consultants  
 Surveyors

1734 Emerson Street  
 Jacksonville, Florida 32207  
 www.dejongandlebet.com

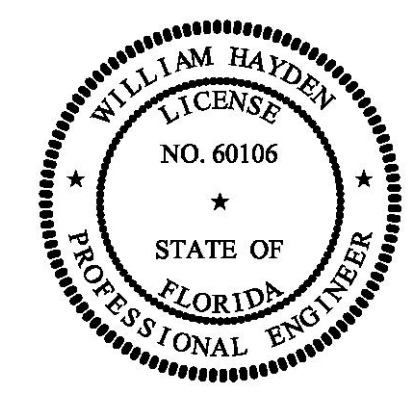
Phone: (904) 599-3673  
 Fax: (904) 599-1522  
 info@dejongandlebet.com

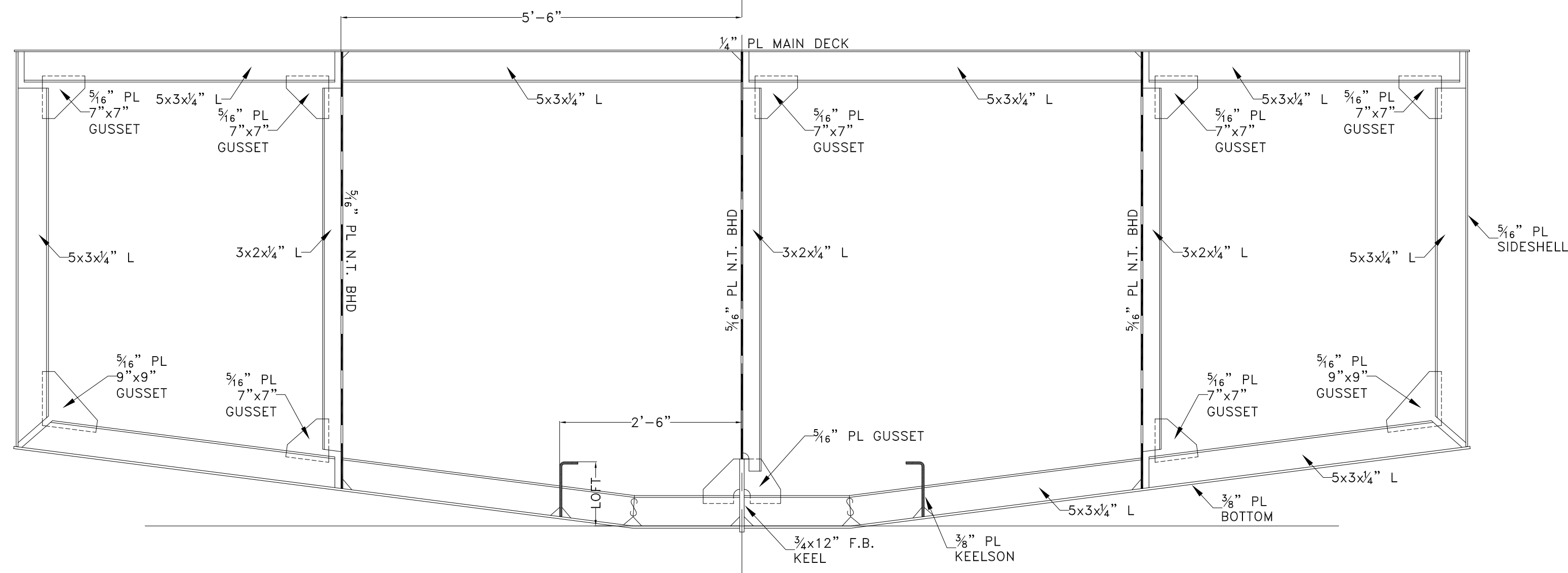
Title: 45.5'x20'x6.5' NCDOT PUSHBOAT

**TRANSVERSE HULL SECTIONS  
 FRAMES 0 THRU 3**

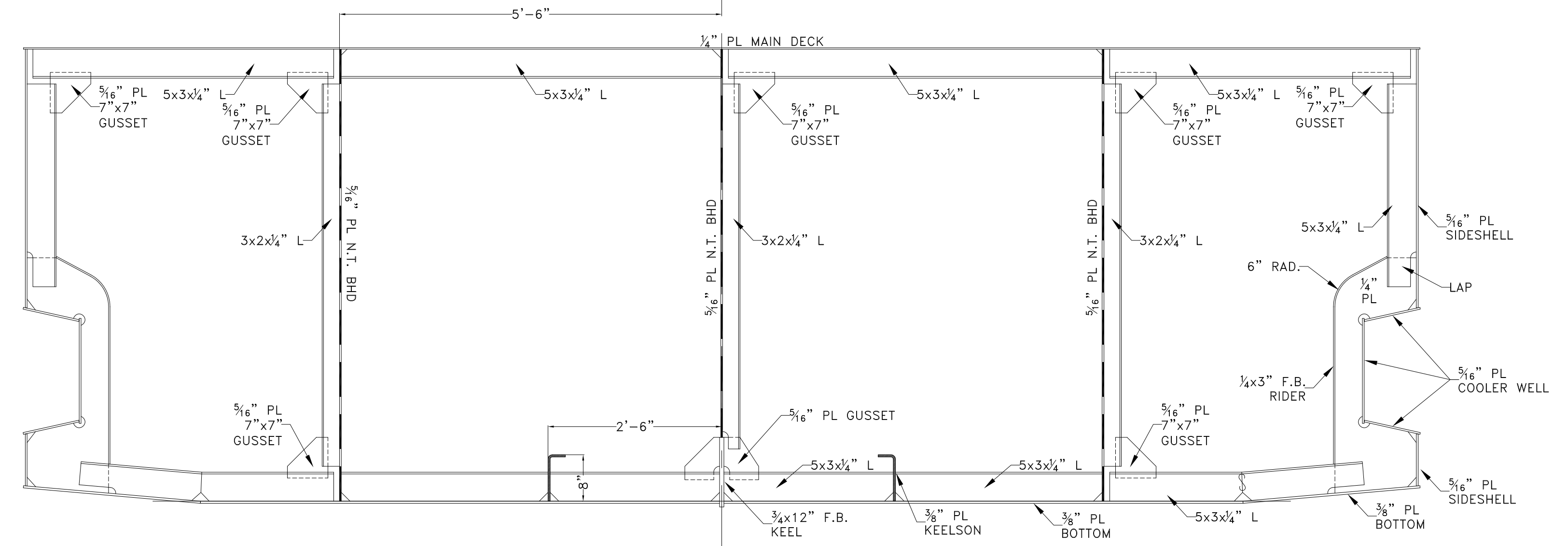
Dwg. No. 17-1393-117 Alt. No. 0  
 Sht. 1 of 7

Drawn By: JACOB CONNALLY Date: JUNE 05, 2018  
 Checked By: \_\_\_\_\_ Date: \_\_\_\_\_  
 App'd By: \_\_\_\_\_ Scale: 3/4" = 1'-0"  
 ABS App'l: \_\_\_\_\_ USCG App'l: \_\_\_\_\_

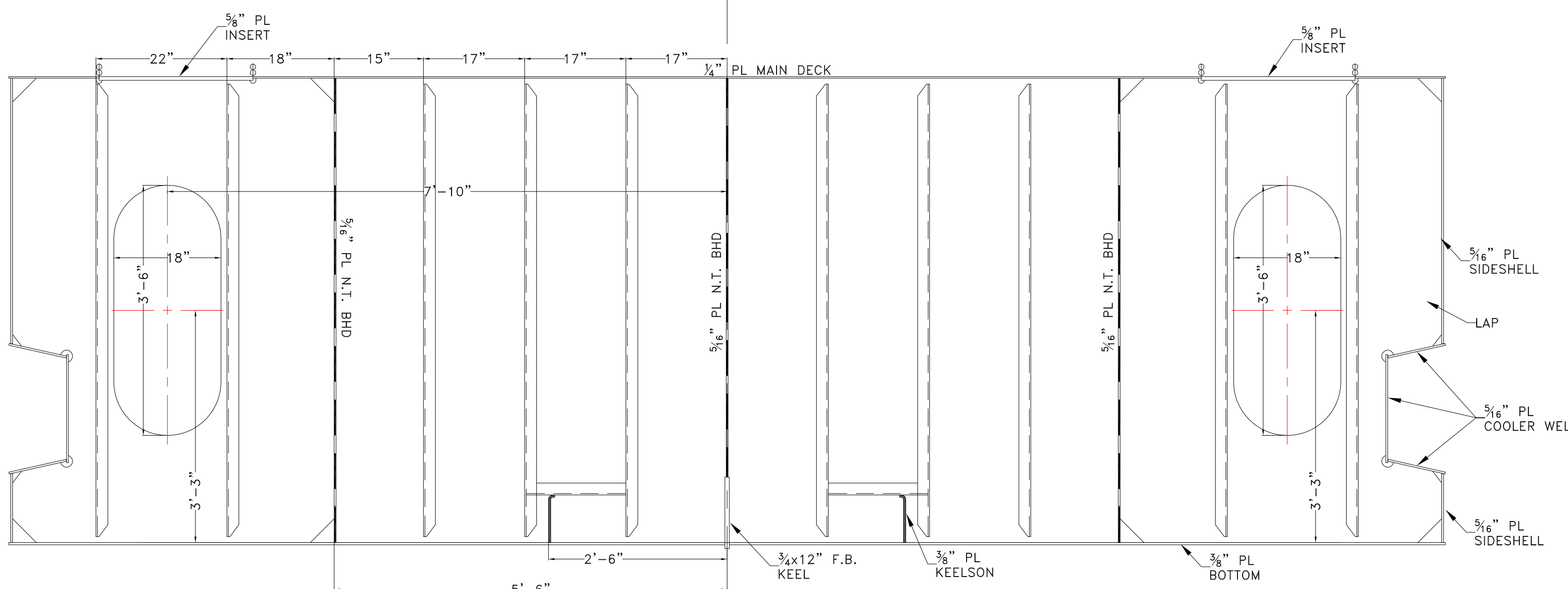




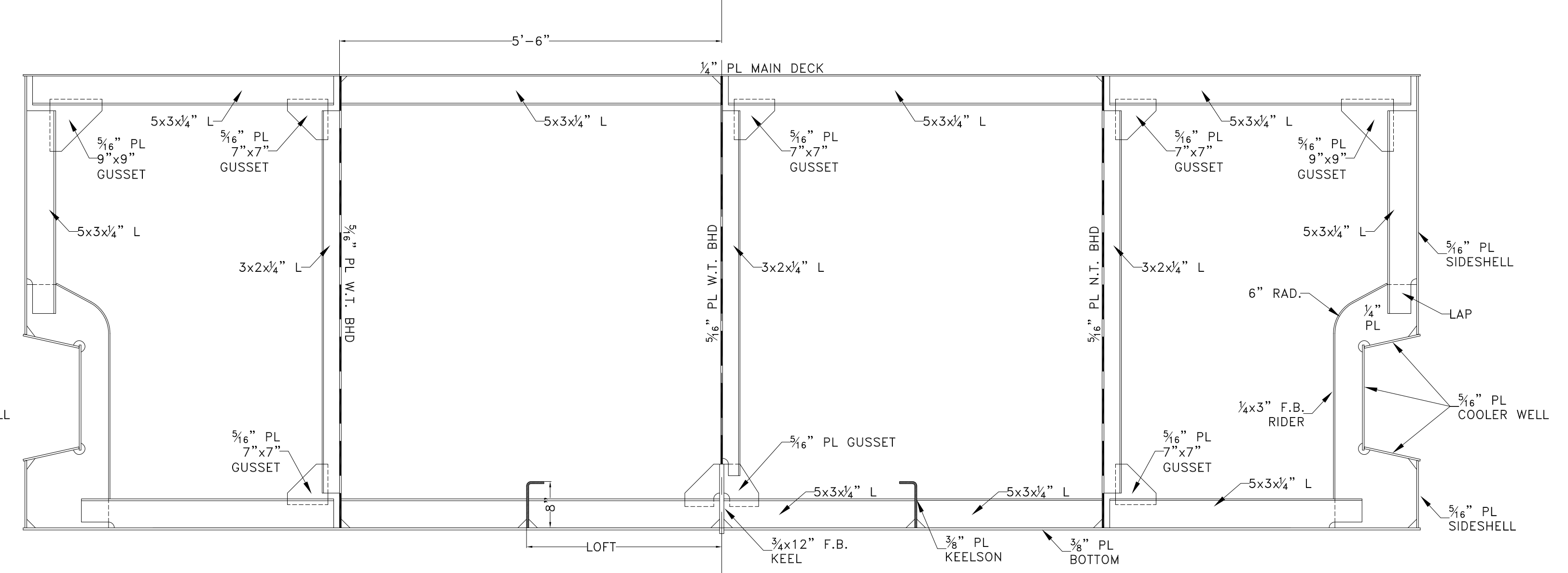
TRANSVERSE SECTION @ FR 4  
-SHOWN LKG FWD-



TRANSVERSE SECTION @ FR 5  
-SHOWN LKG FWD-



TRANSVERSE W.T./N.T. BHD @ FR 6  
5/16" PL W/ 3x2x1/4" L STIFFENERS ON AFT FACE  
UNLESS OTHERWISE NOTED  
-SHOWN LKG FWD-



TRANSVERSE SECTION @ FR 7  
-SHOWN LKG FWD-

WELD SCHEDULE-TYPICAL

WELD DBL. CONT. FOR 2 1/2" EACH END 3/16 3-12	FRAMES TO HULL & SIDESHELL	WELD DBL. CONT. FOR 2 1/2" EACH END 3/16 3-12	TRANSVERSE STIFFENERS TO MAIN DECK
WELD DBL. CONT. FOR 10" OF STIFF L @ EACH END TYP. 3/16 3-12	1. STIFFENERS TO W.T. BHDS 2. STIFFENERS HULL & SIDESHELL PLATING	WELD DBL. CONT. FOR 8" EACH END 3/16 3-12	LONGITUDINAL GIRDERS TO MAIN DECK
3/16 3-12	W.T. BHDS TO SHELL PLATING	3/16 3-12	1. BOTTOM FRAME BUTT TO KEEL PLATE 2. CORNER BRACKETING
1/8 1 1/2-9	N.T. BHDS TO SHELL PLATING	TYP 1/8	F.T. STAIRS TO F.T. BHDS
WELD DBL. CONT. FOR 2 1/2" EACH END 1/8 1 1/2-12	STIFFENERS TO N.T. BHDS		

PROPRIETARY RIGHTS  
This document discloses matter in which DeJong & Lebel, Incorporated has proprietary rights. Neither receipt nor possession thereof confers or transfers any right to reproduce, disclose or use in any manner this document in whole or in part or any information contained herein, except by written permission, or written agreement with DeJong & Lebel, Incorporated.  
In the event of a purchase of this document the purchaser is authorized to construct to more than one device in accord herewith, unless otherwise signed to in writing by DeJong & Lebel, Incorporated.  
© 2018 DeJong & Lebel, Inc.

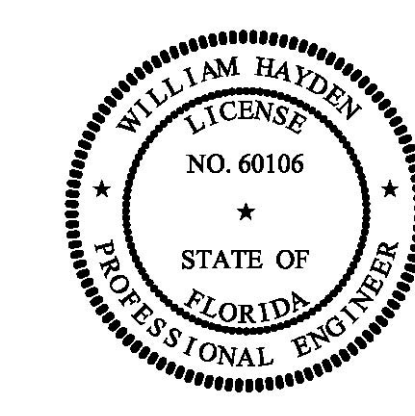
**DeJong & Lebel, Inc.**  
Naval Architects  
Marine Engineers  
Consultants  
Surveyors  
1734 Emerson Street  
Jacksonville, Florida 32207  
www.dejongandlebel.com  
Phone: (904) 599-3673  
Fax: (904) 599-1522  
Info@dejongandlebel.com

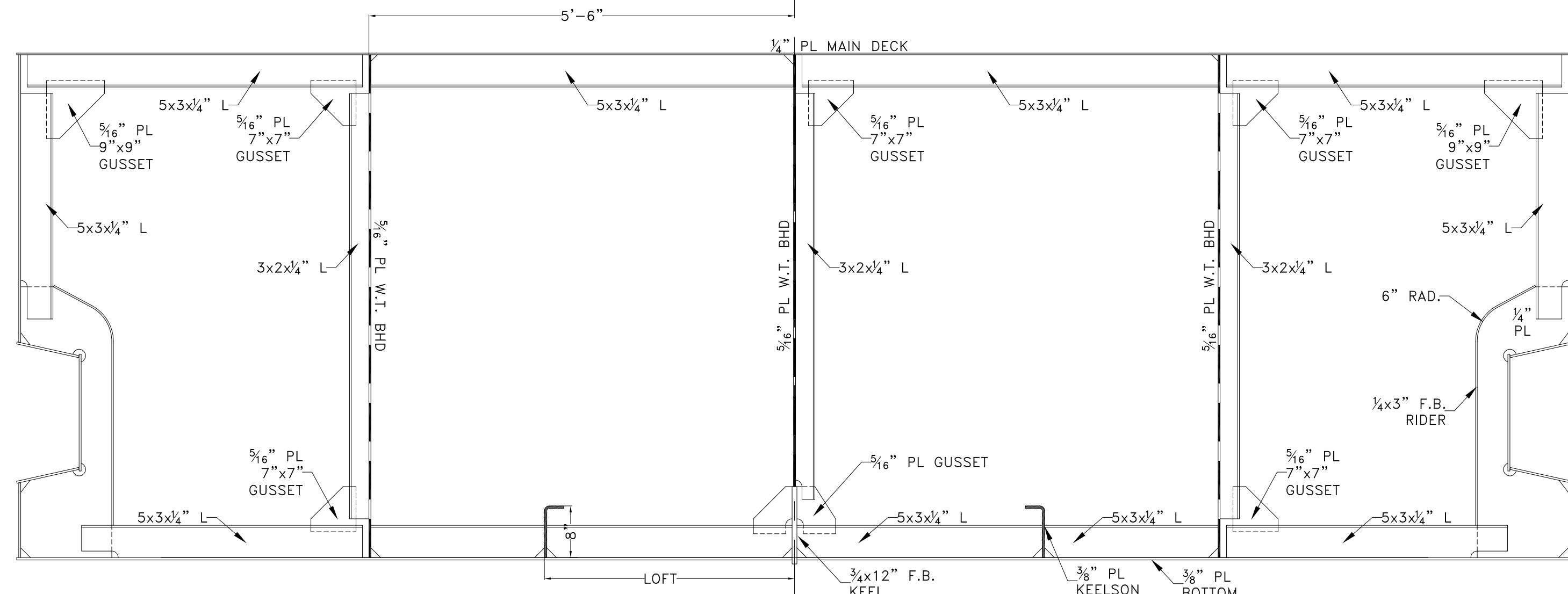
Title: 45.5'x20'x6.5' NCDOT PUSHBOAT

**TRANSVERSE HULL SECTIONS  
FRAMES 4 THRU 7**

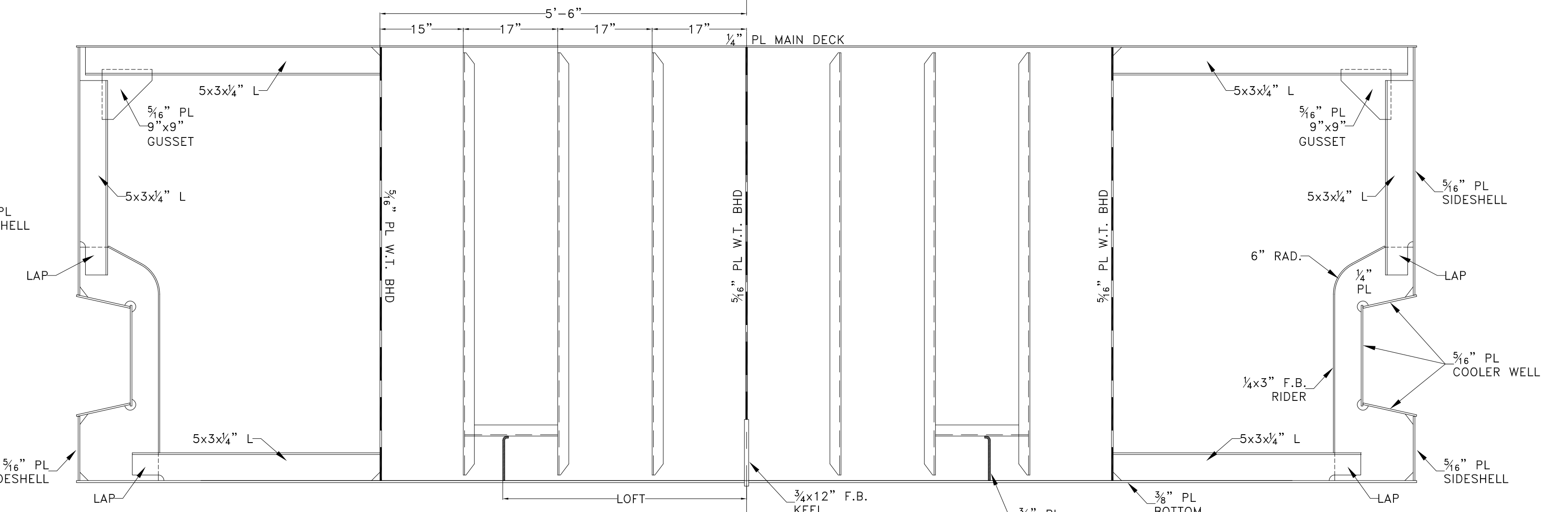
Dwg. No. 17-1393-117 Alt. No. 0  
Sht. 2 of 7

Drawn By: JACOB CONNALLY Date: JUNE 05, 2018  
Checked By: \_\_\_\_\_ Date: \_\_\_\_\_  
App'd By: \_\_\_\_\_ Scale: 3/4" = 1'-0"  
ABS App'l: \_\_\_\_\_ USCG App'l: \_\_\_\_\_

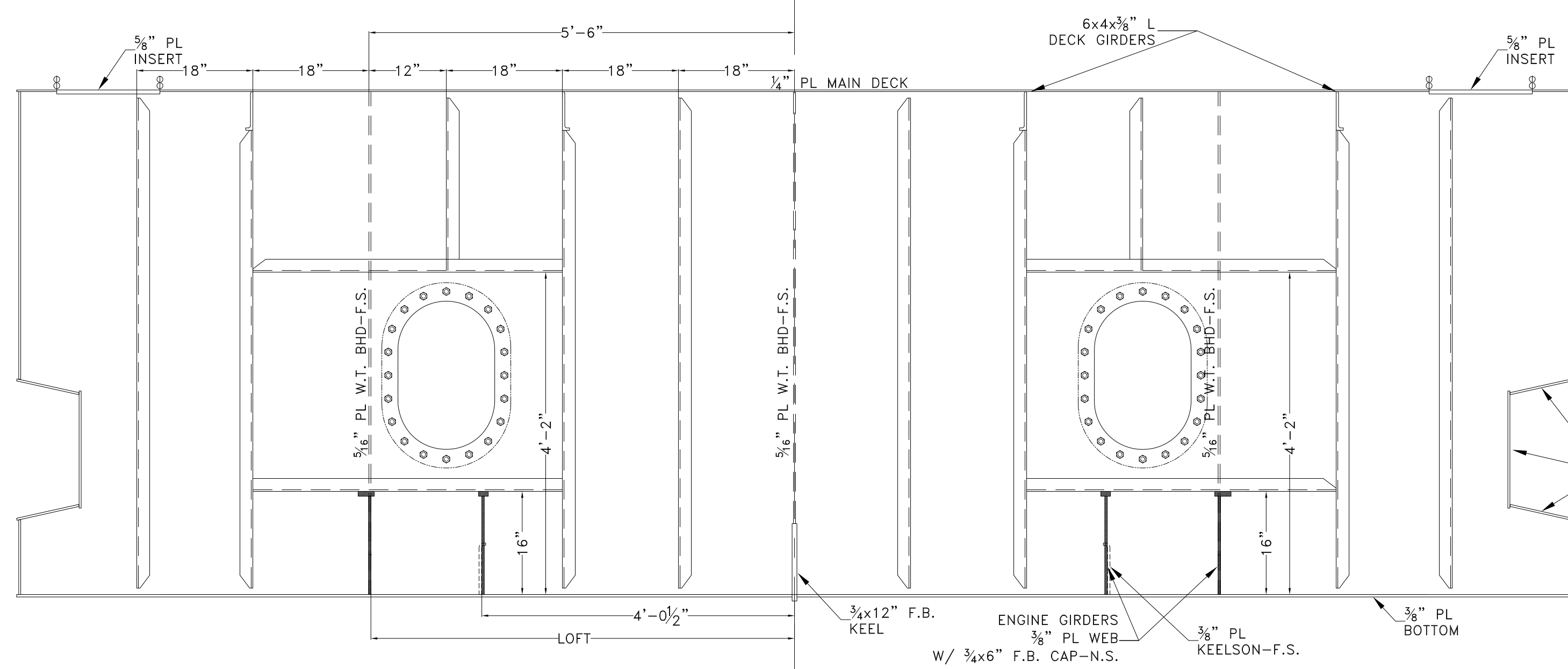




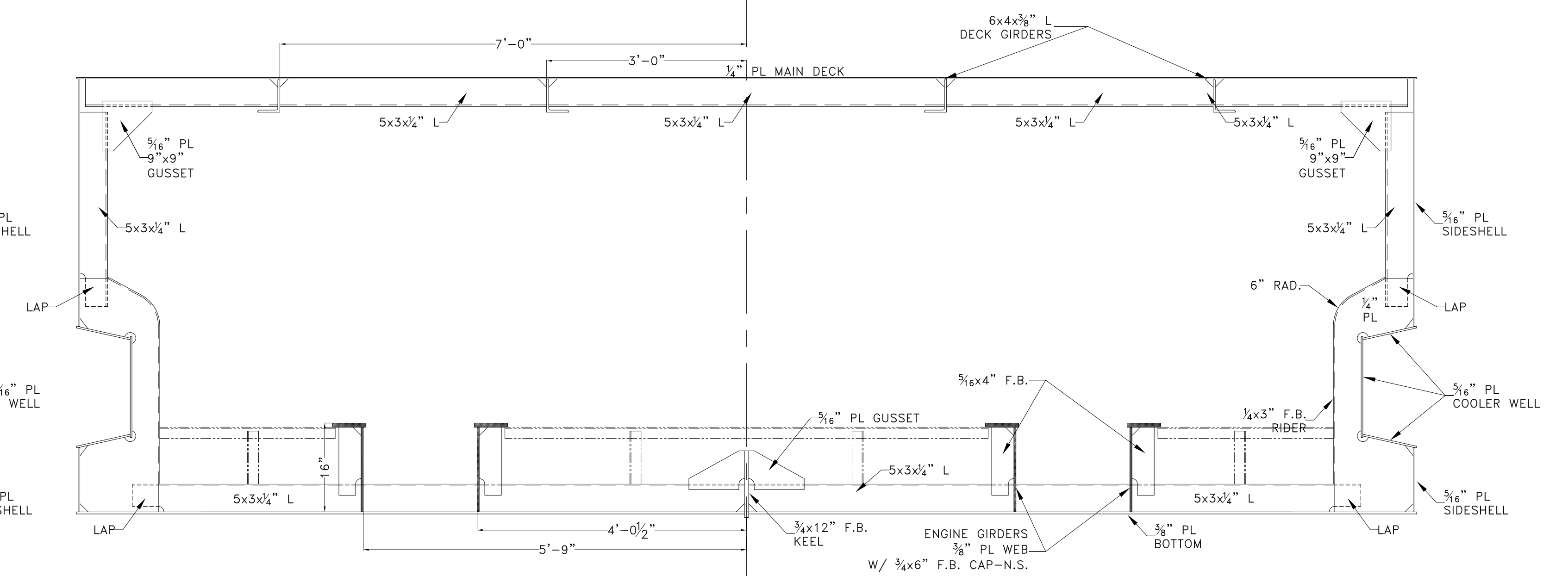
TRANSVERSE SECTION @ FR 8  
-SHOWN LKG FWD-



O.T. BHD & TRANSVERSE FRAME @ FR 9  
5/16" PL W/ 3x2x1/4" L STIFFENERS ON AFT FACE  
UNLESS OTHERWISE NOTED  
-SHOWN LKG FWD-



TRANSVERSE W.T./N.T. BHD @ FR 10  
5/16" PL W/ 3x2x1/4" L STIFFENERS ON AFT FACE  
UNLESS OTHERWISE NOTED  
-SHOWN LKG FWD-



TRANSVERSE SECTION @ FR 11  
-SHOWN LKG FWD-

WELD SCHEDULE-TYPICAL

WELD DBL. CONT. FOR EACH END	3-12	FRAMES TO HULL & SIDESHELL	WELD DBL. CONT. FOR EACH END	3-12	TRANSVERSE STIFFENERS TO MAIN DECK
WELD DBL. CONT. FOR EACH END	3-12	1. STIFFENERS TO W.T. BHDS 2. STIFFENERS HULL & SIDESHELL PLATING	WELD DBL. CONT. FOR EACH END	3-12	LONGITUDINAL GIRDERS TO MAIN DECK
3-12		W.T. BHDS TO SHELL PLATING	3-12		1. BOTTOM FRAME BUTT TO KEEL PLATE 2. CORNER BRACKETING
1/2-9		N.T. BHDS TO SHELL PLATING	1/2-9		F.T. STAIRS TO F.T. BHDS
WELD DBL. CONT. FOR EACH END	1/2-12	STIFFENERS TO N.T. BHDS			

PROPRIETARY RIGHTS

This document discloses matter in which DeJong & Lebel, Incorporated has proprietary rights. Neither receipt nor possession thereof confers or transfers any right to reproduce, disclose or use in any manner this document in whole or in part or any information contained herein, except by written permission, or written agreement with DeJong & Lebel, Incorporated.

In the event of a purchase of this document the purchaser is authorized to construct no more than one device in accord herewith, unless otherwise signed to in writing by DeJong & Lebel, Incorporated.

© 2018 DeJong & Lebel, Inc.

**DeJong & Lebel, Inc.**  
Naval Architects  
Marine Engineers  
Consultants  
Surveyors

1734 Emerson Street  
Jacksonville, Florida 32207  
www.dejongandlebel.com

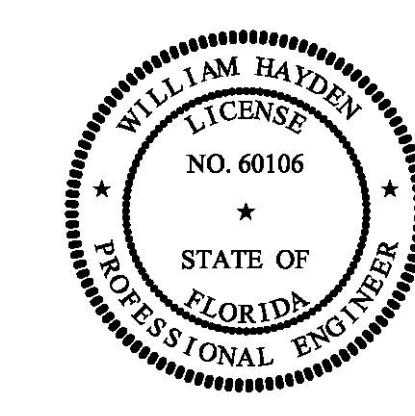
Phone: (904) 599-3673  
Fax: (904) 599-1522  
Info@dejongandlebel.com

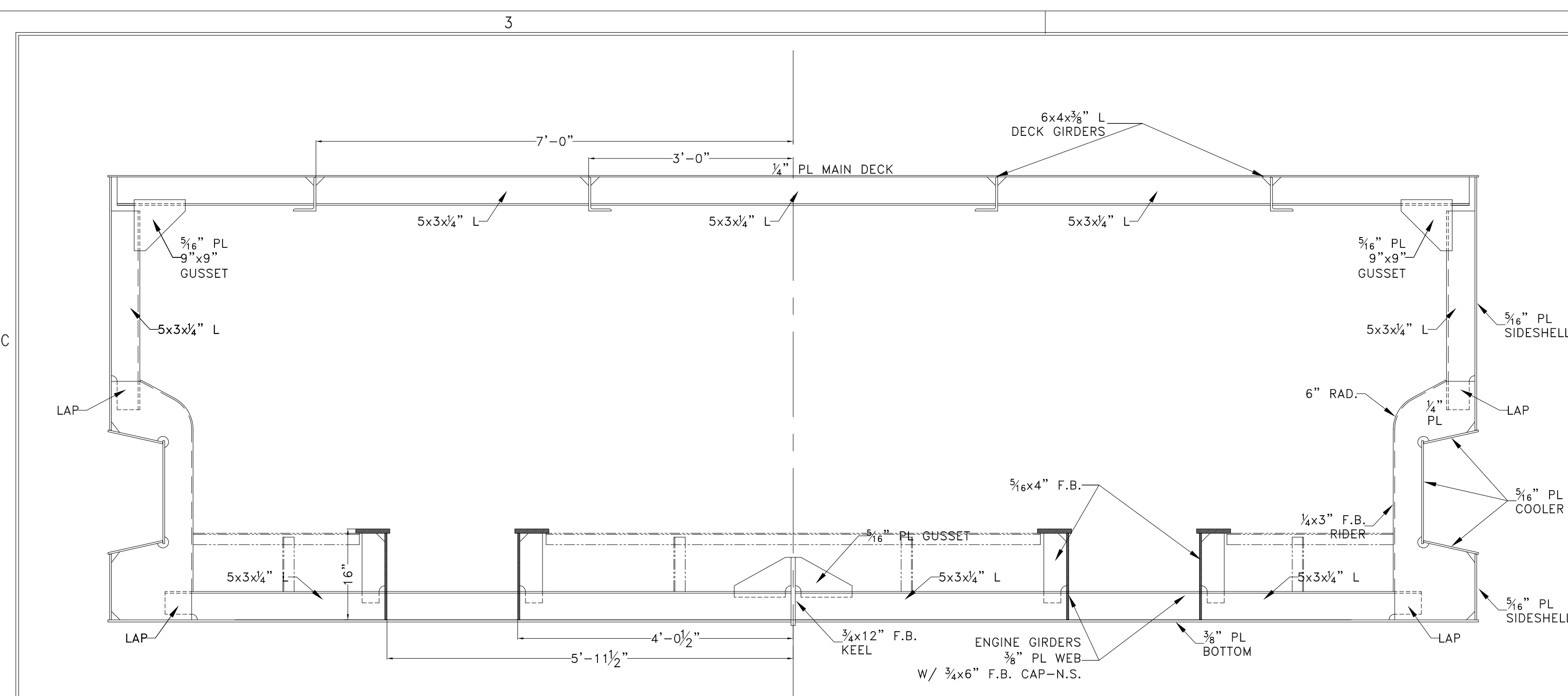
Title: 45.5'x20'x6.5' NCDOT PUSHBOAT

**TRANSVERSE HULL SECTIONS  
FRAMES 8 THRU 11**

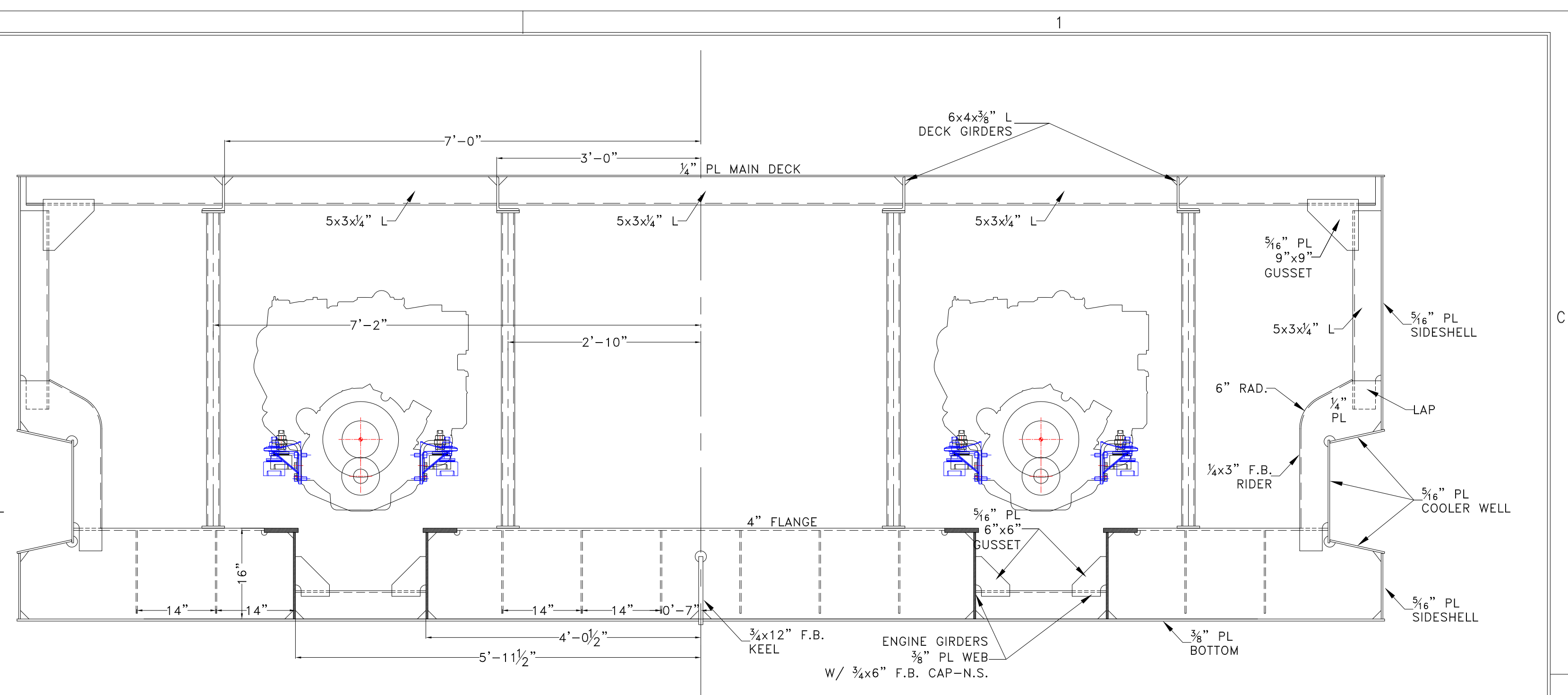
Dwg. No. 17-1393-117  
Art. No. 0  
Sht. 3 of 7

Drawn By: JACOB CONNALLY Date: JUNE 05, 2018  
Checked By: \_\_\_\_\_ Date: \_\_\_\_\_  
App'd By: \_\_\_\_\_ Scale: 3/4" = 1'-0"  
ABS App'l: \_\_\_\_\_ USCG App'l: \_\_\_\_\_

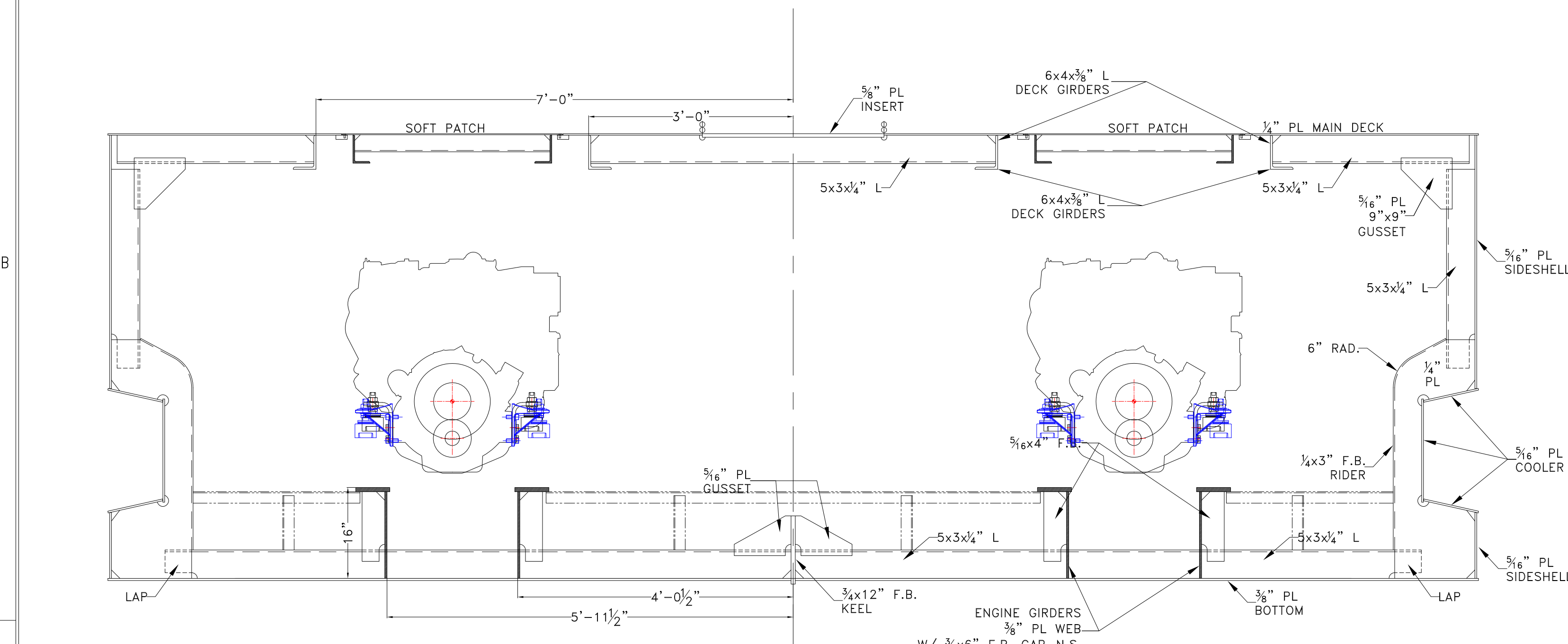




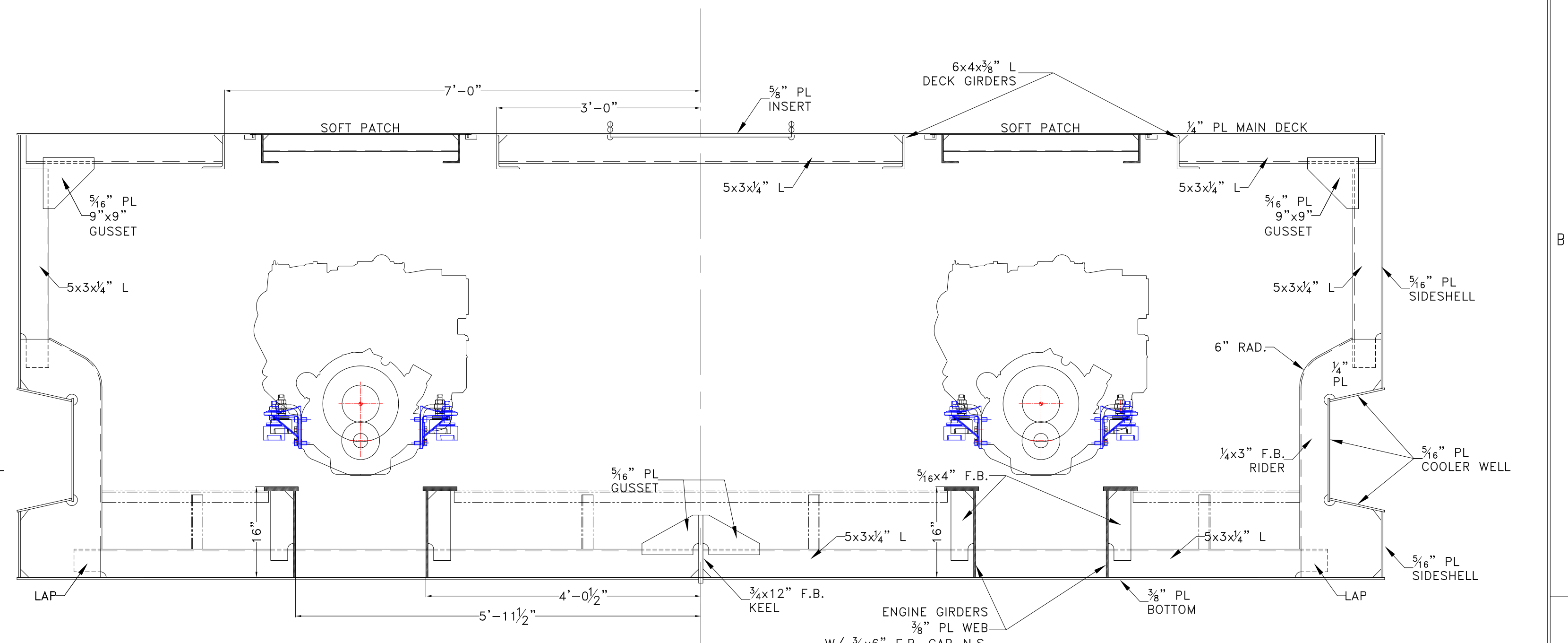
TRANSVERSE SECTION @ FR 12  
-SHOWN LKG FWD-



TRANSVERSE SECTION @ FR 13  
3/8" FLG PL FLOOR W/ 1/4x3" F.B. STIFFS ON FWD FACE  
-SHOWN LKG FWD-



TRANSVERSE SECTION @ FR 14  
-SHOWN LKG FWD-



TRANSVERSE SECTION @ FR 15  
-SHOWN LKG FWD-

WELD SCHEDULE-TYPICAL

WELD DBL. CONT. FOR 2 1/2" EACH END 3/16 3-12 FRAMES TO HULL & SIDESHELL	WELD DBL. CONT. FOR 2 1/2" EACH END 3/16 3-12 TRANSVERSE STIFFENERS TO MAIN DECK
WELD DBL. CONT. FOR 10x OF STIFF L EACH END 3/16 3-12 1. STIFFENERS TO W.T. BHDS 2. STIFFENERS HULL & SIDESHELL PLATING	WELD DBL. CONT. FOR 8" EACH END 3/16 3-12 LONGITUDINAL GIRDERS TO MAIN DECK
3/16 3-12 W.T. BHDS TO SHELL PLATING	3/16 1. BOTTOM FRAME BUTT TO KEEL PLATE 2. CORNER BRACKETING
1/8 1/8 1 1/2-9 N.T. BHDS TO SHELL PLATING	TYP 1/8 F.T. STAIRS TO F.T. BHDS
WELD DBL. CONT. FOR 2 1/2" EACH END 1/8 1 1/2-12 STIFFENERS TO N.T. BHDS	

PROPRIETARY RIGHTS

This document discloses matter in which DeJong & Lebel, Incorporated has proprietary rights. Neither receipt nor possession thereof confers or transfers any right to reproduce, disclose or use in any manner this document in whole or in part or any information contained herein, except by written permission, or written agreement with DeJong & Lebel, Incorporated.

In the event of a purchase of this document the purchaser is authorized to construct no more than one device in accord herewith, unless otherwise signed to it, writing by DeJong & Lebel, Incorporated.

© 2018 by DeJong & Lebel, Inc.

**DeJong & Lebel, Inc.**  
Naval Architects  
Marine Engineers  
Consultants  
Surveyors

1734 Emerson Street  
Jacksonville, Florida 32207  
www.dejongandlebel.com

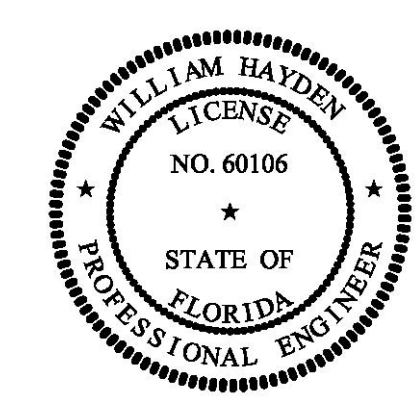
Phone: (904) 599-3673  
Fax: (904) 599-1522  
Info@dejongandlebel.com

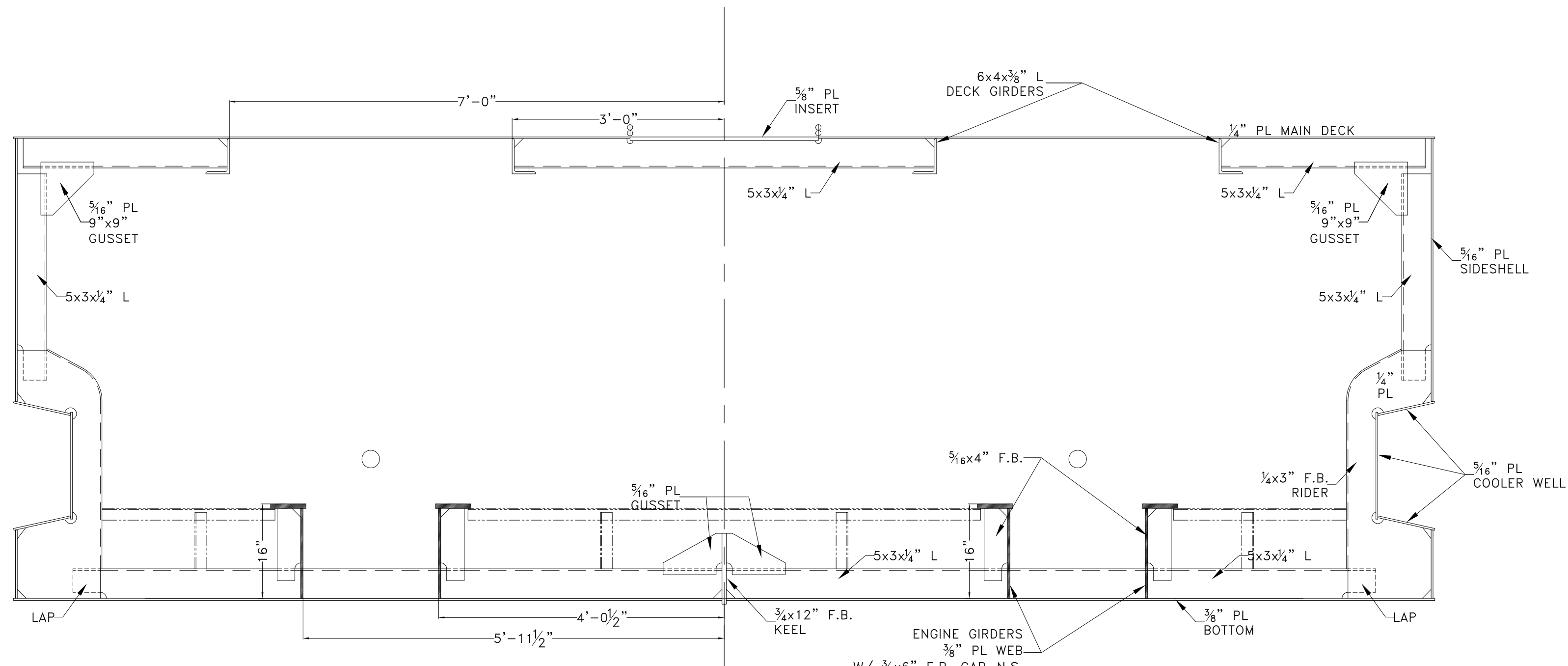
Title: 45.5'x20'x6.5' NCDOT PUSHBOAT

**TRANSVERSE HULL SECTIONS  
FRAMES 12 THRU 15**

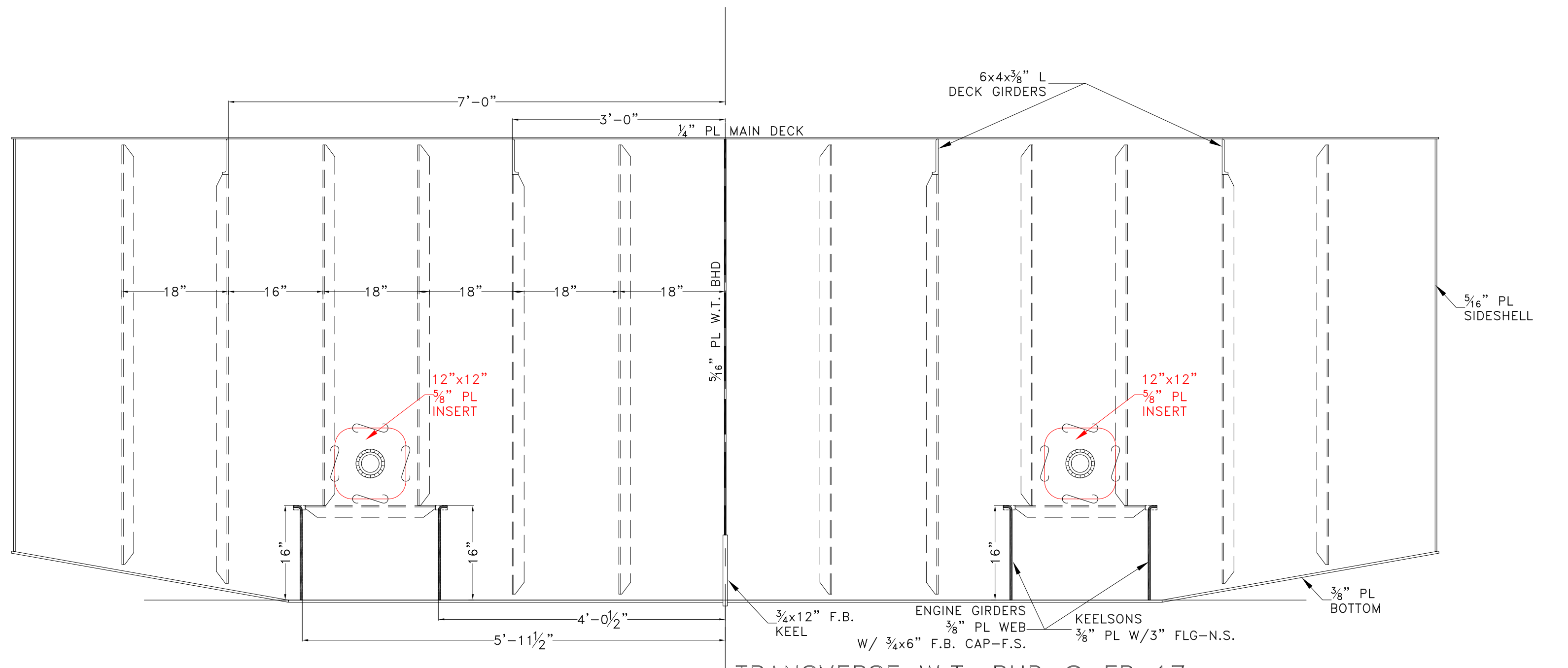
Dwg. No. 17-1393-117 Alt. No. 0  
Sht. 4 of 7

Drawn By: JACOB CONNALLY Date: JUNE 05, 2018  
Checked By: \_\_\_\_\_ Date: \_\_\_\_\_  
App'd By: \_\_\_\_\_ Scale: 3/4" = 1'-0"  
ABS App'l: \_\_\_\_\_ USCG App'l: \_\_\_\_\_

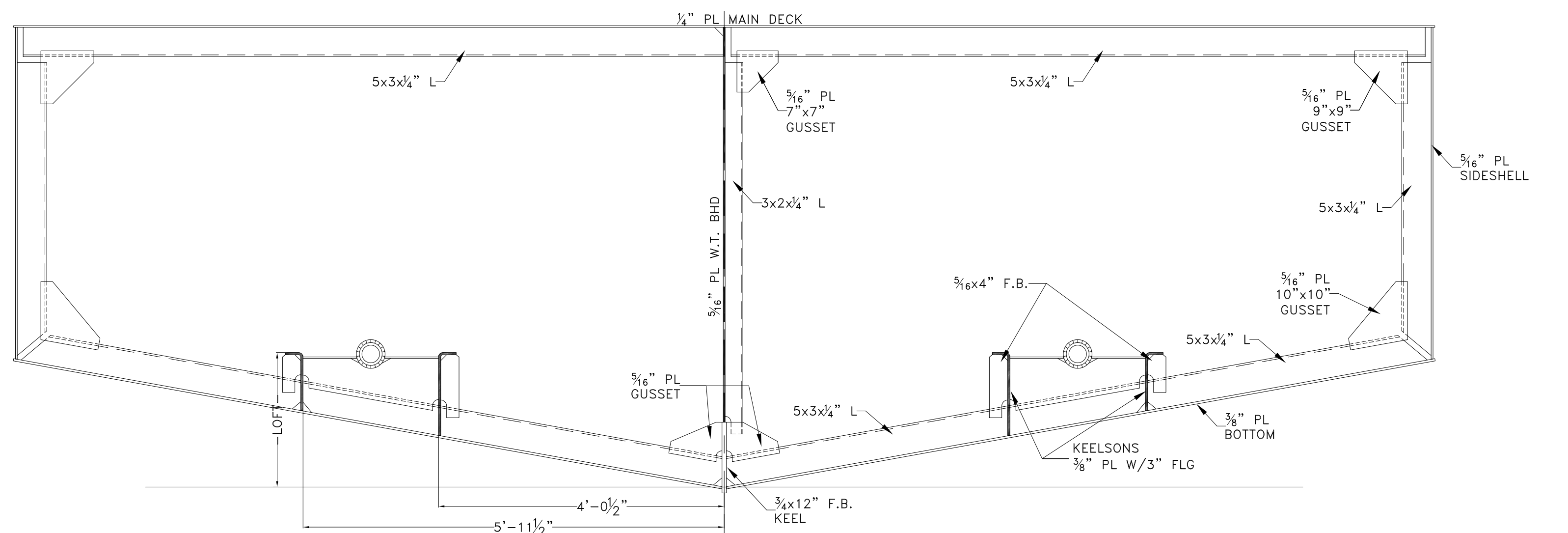




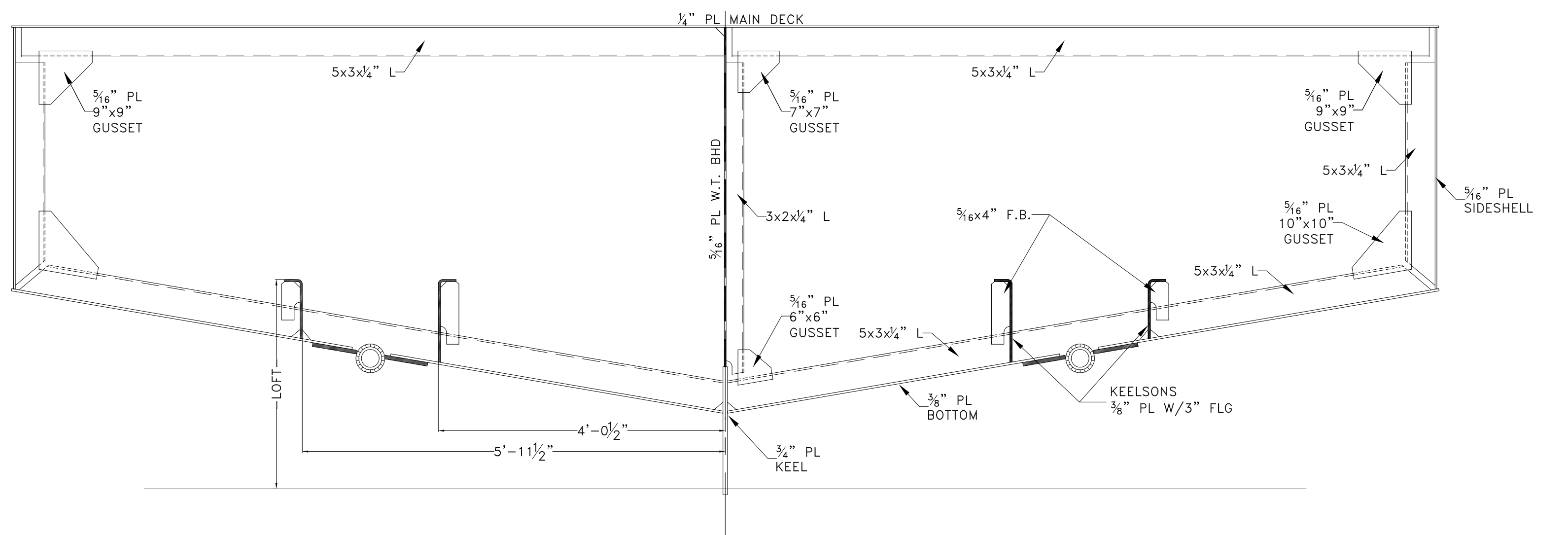
TRANSVERSE SECTION @ FR 16  
-SHOWN LKG FWD-



TRANSVERSE W.T. BHD @ FR 17  
5/16" PL W/ 3x2x1/4" L STIFFENERS ON FWD FACE  
UNLESS OTHERWISE NOTED  
-SHOWN LKG FWD-



TRANSVERSE SECTION @ FR 18  
-SHOWN LKG FWD-



TRANSVERSE SECTION @ FR 19  
-SHOWN LKG FWD-

WELD SCHEDULE-TYPICAL

WELD DBL. CONT. FOR 2 1/2" EACH END	3/16 3-12 FRAMES TO HULL & SIDESHELL	WELD DBL. CONT. FOR 2 1/2" EACH END	3/16 3-12 TRANSVERSE STIFFENERS TO MAIN DECK
WELD DBL. CONT. FOR 10% OF STIFF L EACH END TYP.	3/16 3-12 1. STIFFENERS TO W.T. BHDS 2. STIFFENERS HULL & SIDESHELL PLATING	WELD DBL. CONT. FOR 8" EACH END	3/16 3-12 LONGITUDINAL GIRDERS TO MAIN DECK
	3/16 3-12 W.T. BHDS TO SHELL PLATING		3/16 1. BOTTOM FRAME BUTT TO KEEL PLATE 2. CORNER BRACKETING
	1/8 1 1/2-9 N.T. BHDS TO SHELL PLATING		TYP 1/8 F.T. STAIRS TO F.T. BHDS
WELD DBL. CONT. FOR 1 1/2" EACH END	1/8 1 1/2-12 STIFFENERS TO N.T. BHDS		

PROPRIETARY RIGHTS  
This document discloses matter in which DeJong & Lebel, Incorporated has proprietary rights. Neither receipt nor possession thereof confers or transfers any right to reproduce, disclose or use in any manner this document in whole or in part or any information contained herein, except by written permission, in writing, by DeJong & Lebel, Incorporated.  
In the event of a purchase of this document the purchaser is authorized to construct no more than one device in accord herewith, unless otherwise signed to in writing by DeJong & Lebel, Incorporated.  
© 2018 DeJong & Lebel, Inc.

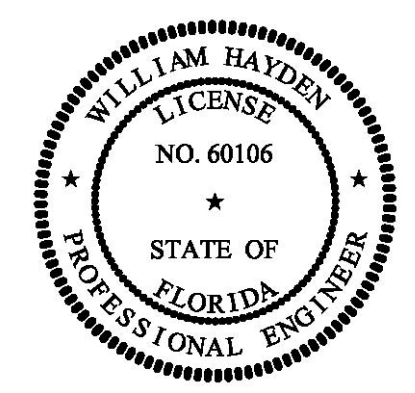
**DeJong & Lebel, Inc.**  
Naval Architects  
Marine Engineers  
Consultants  
Surveyors  
1734 Emerson Street  
Jacksonville, Florida 32207  
www.dejongandlebel.com  
Phone: (904) 599-3673  
Fax: (904) 599-1522  
Info@dejongandlebel.com

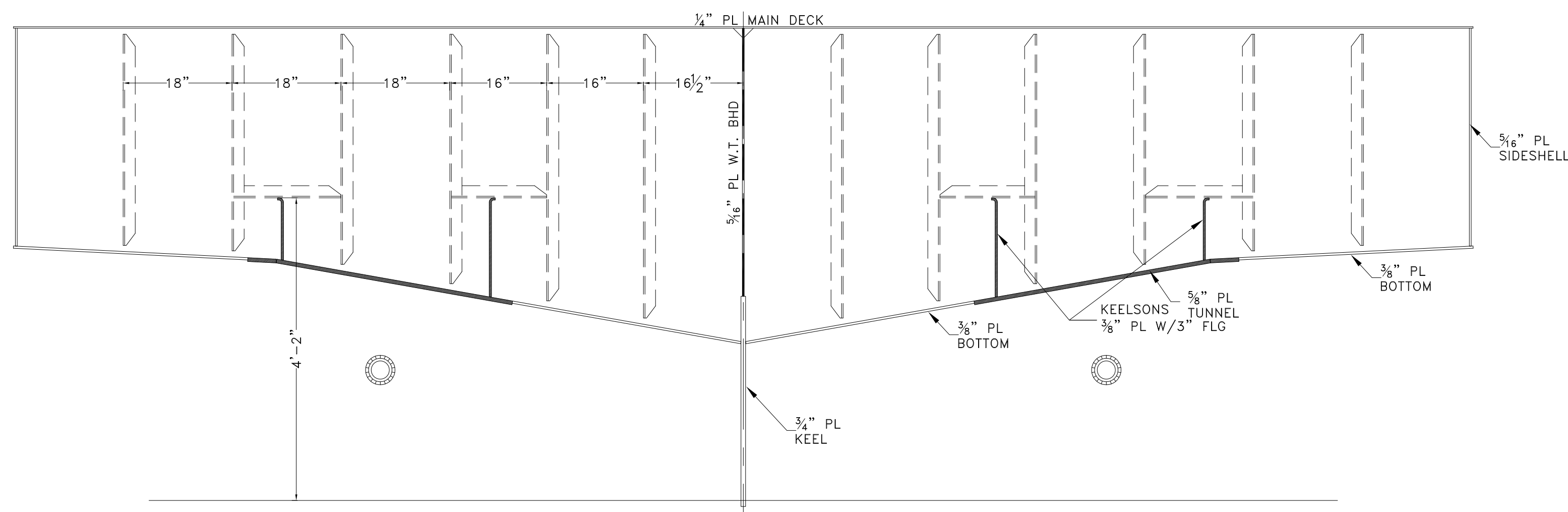
Title: 45.5'x20'x6.5' NCDOT PUSHBOAT  
**TRANSVERSE HULL SECTIONS  
FRAMES 16 THRU 19**

Dwg. No. 17-1393-117  
Date: JUNE 05, 2018  
Art. No. 0  
Sht. 5 of 7

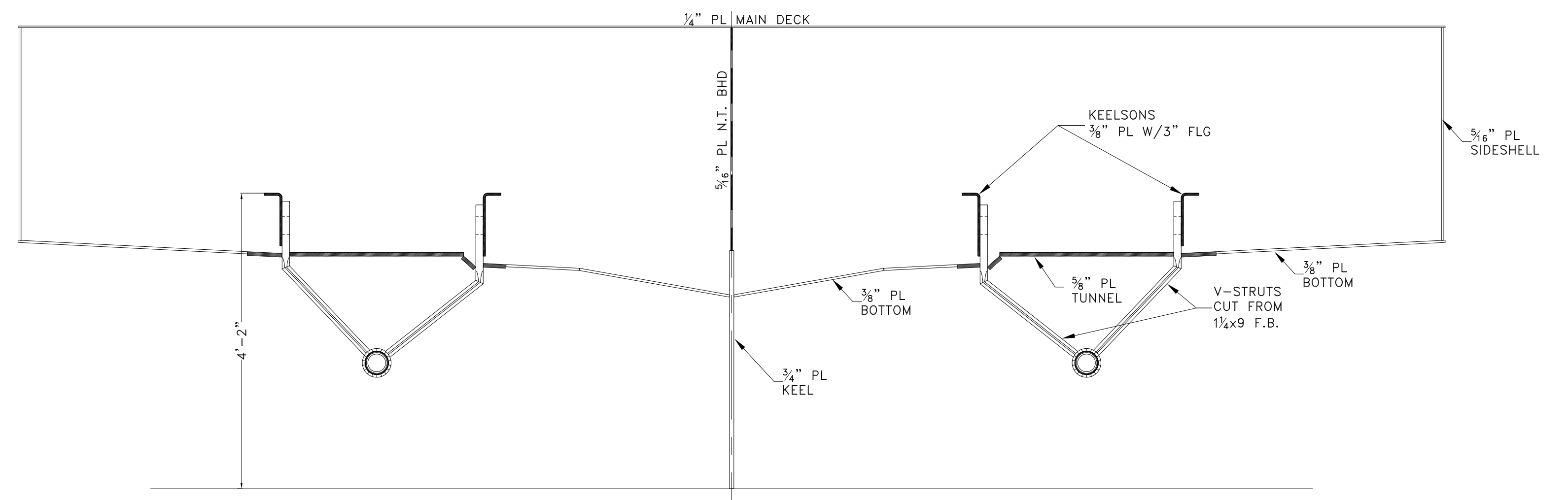
Drawn By: JACOB CONNALLY  
Checked By:  
App'd By:  
ABS App'l:

Scale: 3/4" = 1'-0"  
USCG App'l:

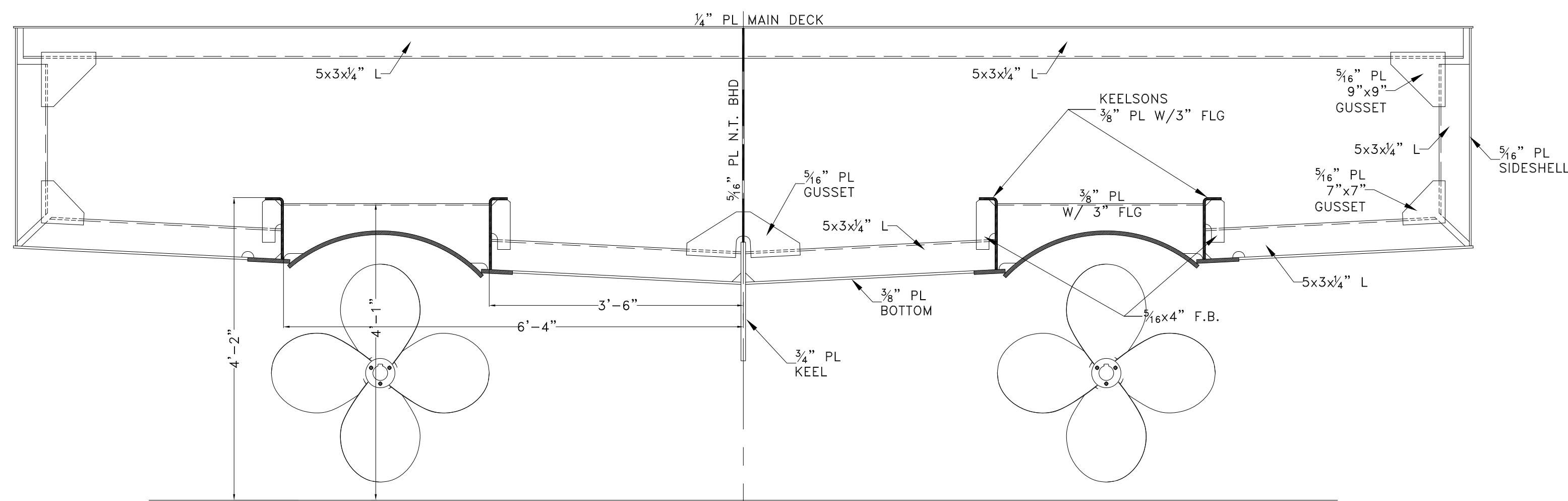




TRANSVERSE W.T. BHD @ FR 20  
 5/16" PL W/ 3x2x1/4" L STIFFENERS ON FWD FACE  
 UNLESS OTHERWISE NOTED  
 -SHOWN LKG FWD-



TRANSVERSE SECTION @ FR 20.5  
 -SHOWN LKG FWD-



TRANSVERSE SECTION @ FR 21  
 -SHOWN LKG FWD-

WELD SCHEDULE-TYPICAL

<p>WELD DBL. CONT. FOR 2 1/2" EACH END</p> <p>FRAMES TO HULL &amp; SIDESHELL</p>	<p>WELD DBL. CONT. FOR 2 1/2" EACH END</p> <p>TRANSVERSE STIFFENERS TO MAIN DECK</p>
<p>WELD DBL. CONT. FOR 10% OF STIFF L TYP.</p> <p>1. STIFFENERS TO W.T. BHDS 2. STIFFENERS HULL &amp; SIDESHELL PLATING</p>	<p>WELD DBL. CONT. FOR 2 1/2" EACH END</p> <p>LONGITUDINAL GIRDERS TO MAIN DECK</p>
<p>W.T. BHDS TO SHELL PLATING</p>	<p>1. BOTTOM FRAME BUTT TO KEEL PLATE 2. CORNER BRACKETING</p>
<p>N.T. BHDS TO SHELL PLATING</p>	<p>TYP. 1/8 F.T. STAIRS TO F.T. BHDS</p>
<p>WELD DBL. CONT. FOR 2 1/2" EACH END</p> <p>STIFFENERS TO N.T. BHDS</p>	

PROSPECTIVE RIGHTS

This document discloses matter in which DeJong & Lebet, Incorporated has proprietary rights. Neither receipt nor possession thereof confers or transfers any right to reproduce, disclose or use in any manner this document in whole or in part or any information contained herein, except by written permission, or written agreement with DeJong & Lebet, Incorporated.

In the event of a purchase of this document the purchaser is authorized to construct no more than one device in accord herewith, unless otherwise signed to in writing by DeJong & Lebet, Incorporated.

© 2018 DeJong & Lebet, Inc.

**DeJong & Lebet, Inc.**  
 Naval Architects  
 Marine Engineers  
 Consultants  
 Surveyors

1734 Emerson Street  
 Jacksonville, Florida 32207  
 www.dejongandlebet.com

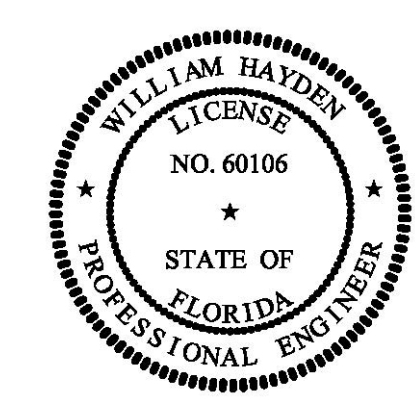
Phone: (904) 599-3673  
 Fax: (904) 599-1522  
 info@dejongandlebet.com

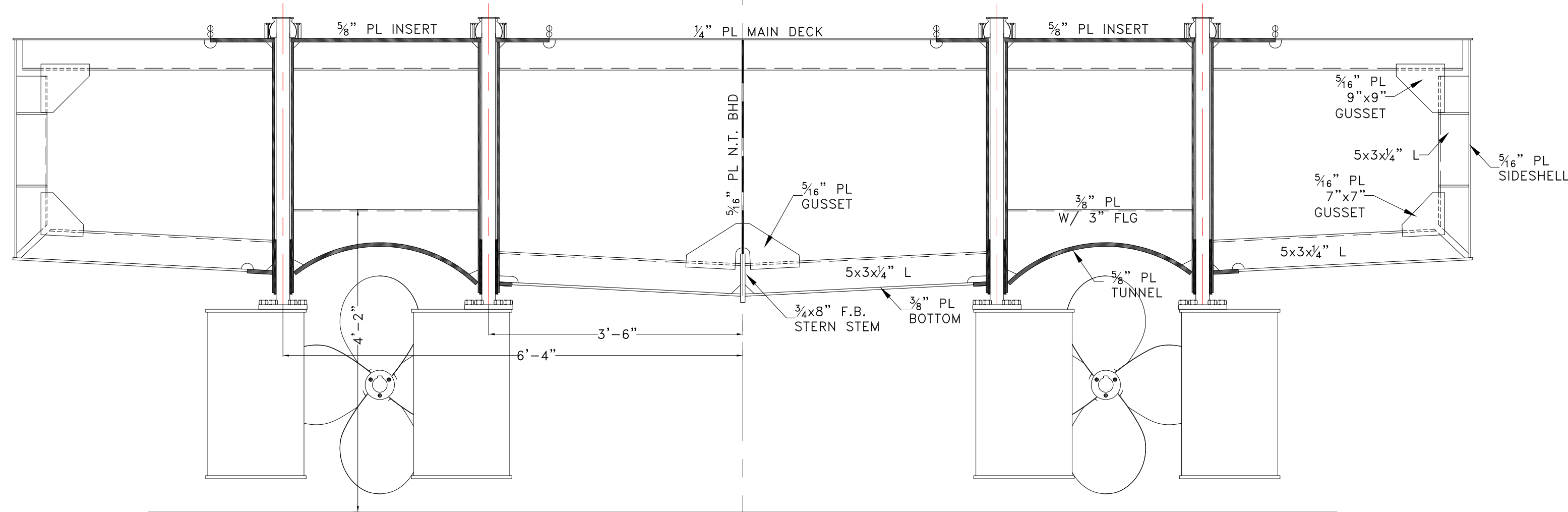
Title: 45.5'x20'x6.5' NCDOT PUSHBOAT

**TRANSVERSE HULL SECTIONS  
 FRAMES 20 THRU 21**

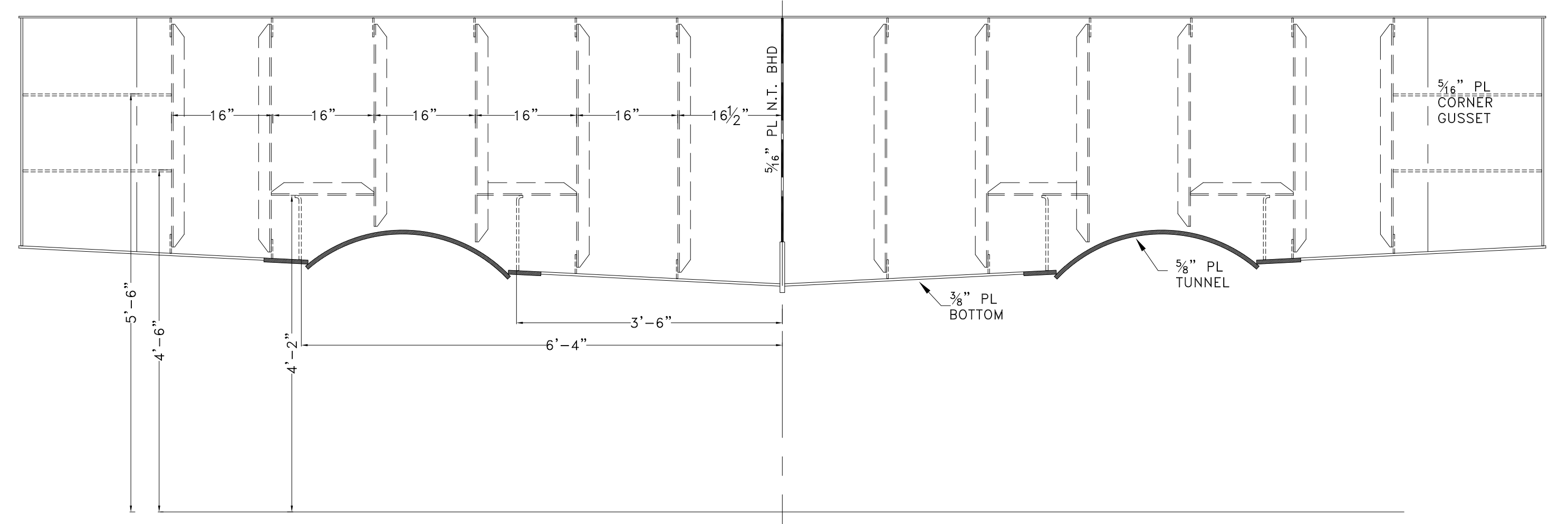
Dwg. No. 17-1393-117     Alt. No. 0  
 Sht. 6 of 7

Drawn By: JACOB CONNALLY     Date: JUNE 05, 2018  
 Checked By: \_\_\_\_\_     Date: \_\_\_\_\_  
 App'd By: \_\_\_\_\_     Scale: 3/4" = 1'-0"  
 ABS App'l: \_\_\_\_\_     USCG App'l: \_\_\_\_\_





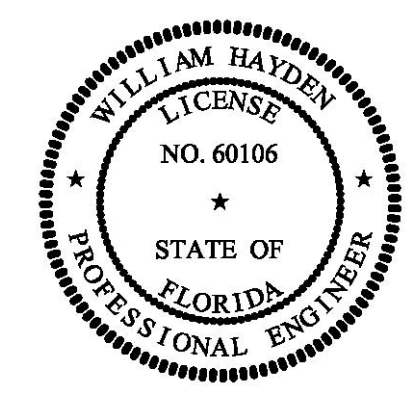
TRANSVERSE SECTION @ FR 22  
-SHOWN LKG FWD-



TRANSOM @ 18" AFT FR 22  
3/8" PL W/ 3x2x1/4" L STIFFENERS ON FWD FACE  
UNLESS OTHERWISE NOTED  
-SHOWN LKG FWD-

WELD SCHEDULE-TYPICAL

WELD DBL. CONT. FOR 2 1/2" EACH END	3/16	5-12	FRAMES TO HULL & SIDESHELL
WELD DBL. CONT. FOR 2 1/2" EACH END	3/16	3-12	TRANSVERSE STIFFENERS TO MAIN DECK
WELD DBL. CONT. FOR 10% OF STIFF L. EACH END TYP.	3/16	3-12	1. STIFFENERS TO W.T. BHDS 2. STIFFENERS HULL & SIDESHELL PLATING
WELD DBL. CONT. FOR 2 1/2" EACH END	3/16	3-12	LONGITUDINAL GIRDERS TO MAIN DECK
	3/16	3-12	W.T. BHDS TO SHELL PLATING
	1/8	1 1/2-9	N.T. BHDS TO SHELL PLATING
WELD DBL. CONT. FOR 2 1/2" EACH END	1/8	1 1/2-12	STIFFENERS TO N.T. BHDS
	3/16		1. BOTTOM FRAME BUTT TO KEEL PLATE 2. CORNER BRACKETING
	TYP	1/8	F.T. STAIRS TO F.T. BHDS



PROPRIETARY RIGHTS  
This document discloses matter in which DeJong & Lebel, Incorporated has proprietary rights. Neither receipt nor possession thereof confers or transfers any right to reproduce, disclose or use in any manner this document in whole or in part or any information contained herein, except by written permission, or written agreement with DeJong & Lebel, Incorporated.  
In the event of a purchase of this document the purchaser is authorized to construct no more than one device in accord herewith, unless otherwise signed to in writing by DeJong & Lebel, Incorporated.  
© 2018 by DeJong & Lebel, Inc.

**DeJong & Lebel, Inc.**  
Naval Architects  
Marine Engineers  
Consultants  
Surveyors  
1734 Emerson Street  
Jacksonville, Florida 32207  
www.dejongandlebel.com  
Phone: (904) 599-3673  
Fax: (904) 599-1522  
Info@dejongandlebel.com

Title: 45.5'x20'x6.5' NCDOT PUSHBOAT

**TRANSVERSE FRAME @ 22 & TRANSOM DETAILS**

Dwg. No. 17-1393-117  
Alt. No. 0  
Sht. 7 of 7

Drawn By: JACOB CONNALLY Date: JUNE 05, 2018  
Checked By: Date:  
App'd By: Scale: 3/4" = 1'-0"  
ABS App'l: USCG App'l: