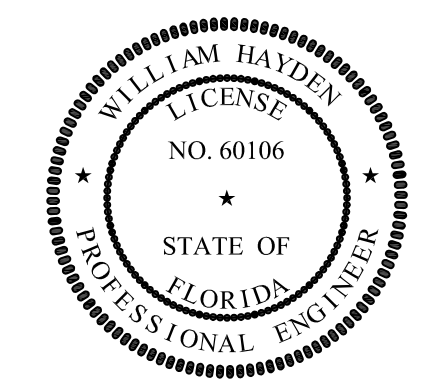


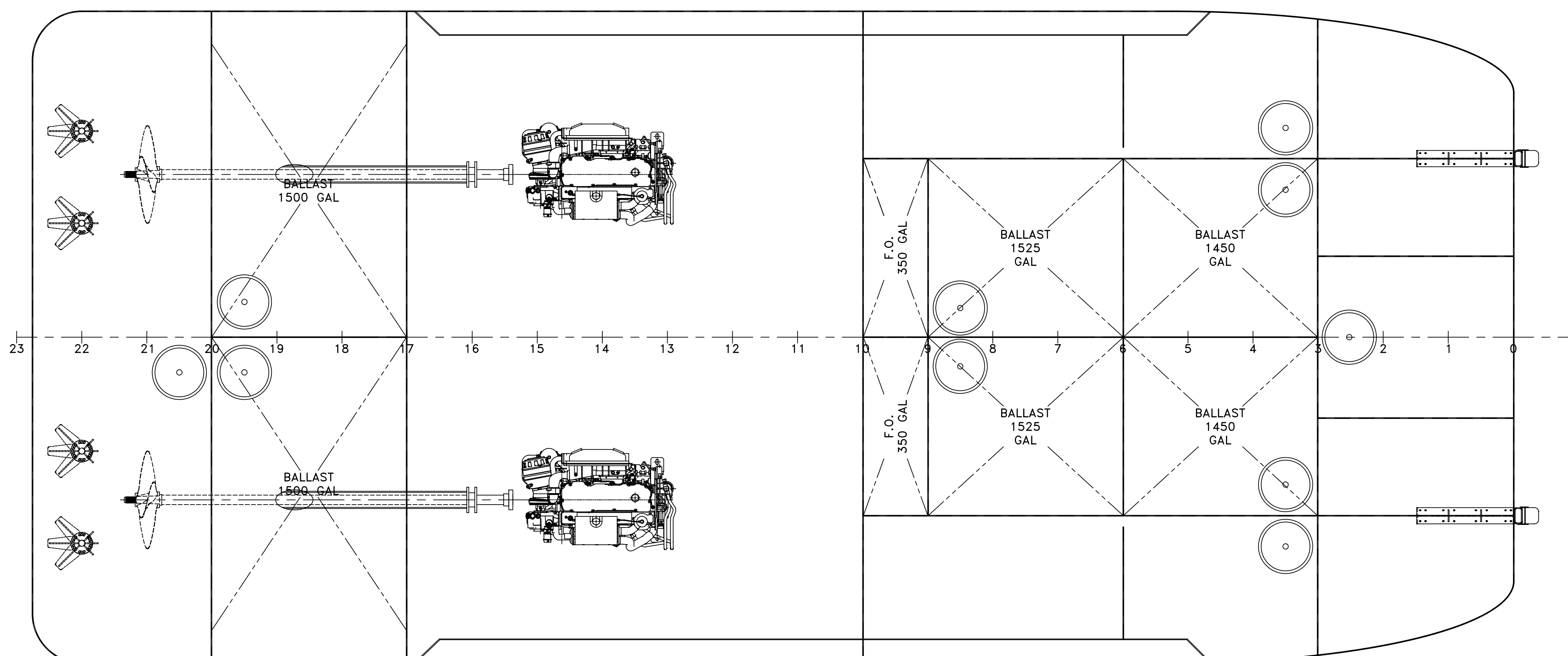
PROPRIETARY RIGHTS
 This document discloses matter in which DeJong & Lebet, Incorporated has proprietary rights. Neither receipt nor possession thereof confers or transfers any right, in whole or in part, to reproduce, copy, or disseminate the information contained herein, except by written permission, or written agreement with DeJong & Lebet, Incorporated.
 In the event of a purchase of this document the purchaser is authorized to construct no more than one device in accord herewith, unless otherwise agreed to in writing by DeJong & Lebet, Incorporated.
 © 2018 by DeJong & Lebet, Inc.



DeJong & Lebet, Inc.
 Naval Architects
 Marine Engineers
 Consultants
 Surveyors
 1734 Emerson Street
 Jacksonville, Florida 32207
 www.dejongandlebet.com
 Phone: (904) 399-3673
 Fax: (904) 399-1522
 info@dejongandlebet.com

Title: 45.5' x 20' x 6.5" NCDOT PUSHBOAT
GENERAL ARRANGEMENTS
MAIN DECK

Dwg. No. 17-1393-100 Alt. No. 0 Sht. 1 of 3
 Drawn By: JACOB CONNALLY Date: JUNE 05, 2018
 Checked By: _____ Date: _____
 App'd By: _____ Scale: 1/2" = 1'-0"
 ABS App'l: _____ USCG App'l: _____



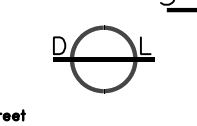
PROPRIETARY RIGHTS

This document discloses matter in which DeJong & Lebet, Incorporated has proprietary rights. Neither receipt nor possession thereof confers or transfers any right, in whole or in part, nor any other right or interest in such matter, or any information contained herein, except by written permission, or written agreement with DeJong & Lebet, Incorporated.

In the event of a purchase of this document the purchaser is authorized to construct no more than one device in accord herewith, unless otherwise agreed to in writing by DeJong & Lebet, Incorporated.

© 2018 by DeJong & Lebet, Inc.

DeJong & Lebet, Inc.


 Naval Architects
 Marine Engineers
 Consultants
 Surveyors

1734 Emerson Street
 Jacksonville, Florida 32207
 www.dejongandlebet.com

Phone: (904) 399-3673
 Fax: (904) 399-1522
 info@dejongandlebet.com

Title: 45.5' x 20' x 6.5' NCDOT PUSHBOAT

GENERAL ARRANGEMENTS HOLD

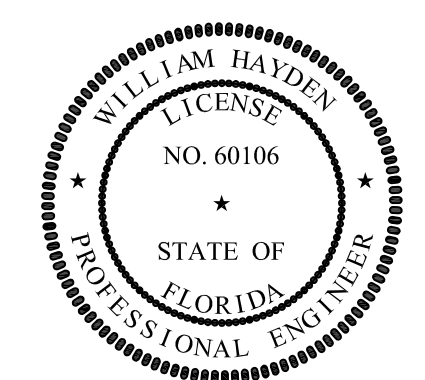
Dwg. No. **17-1393-100** Alt. No. 0 Sht. 2 of 3

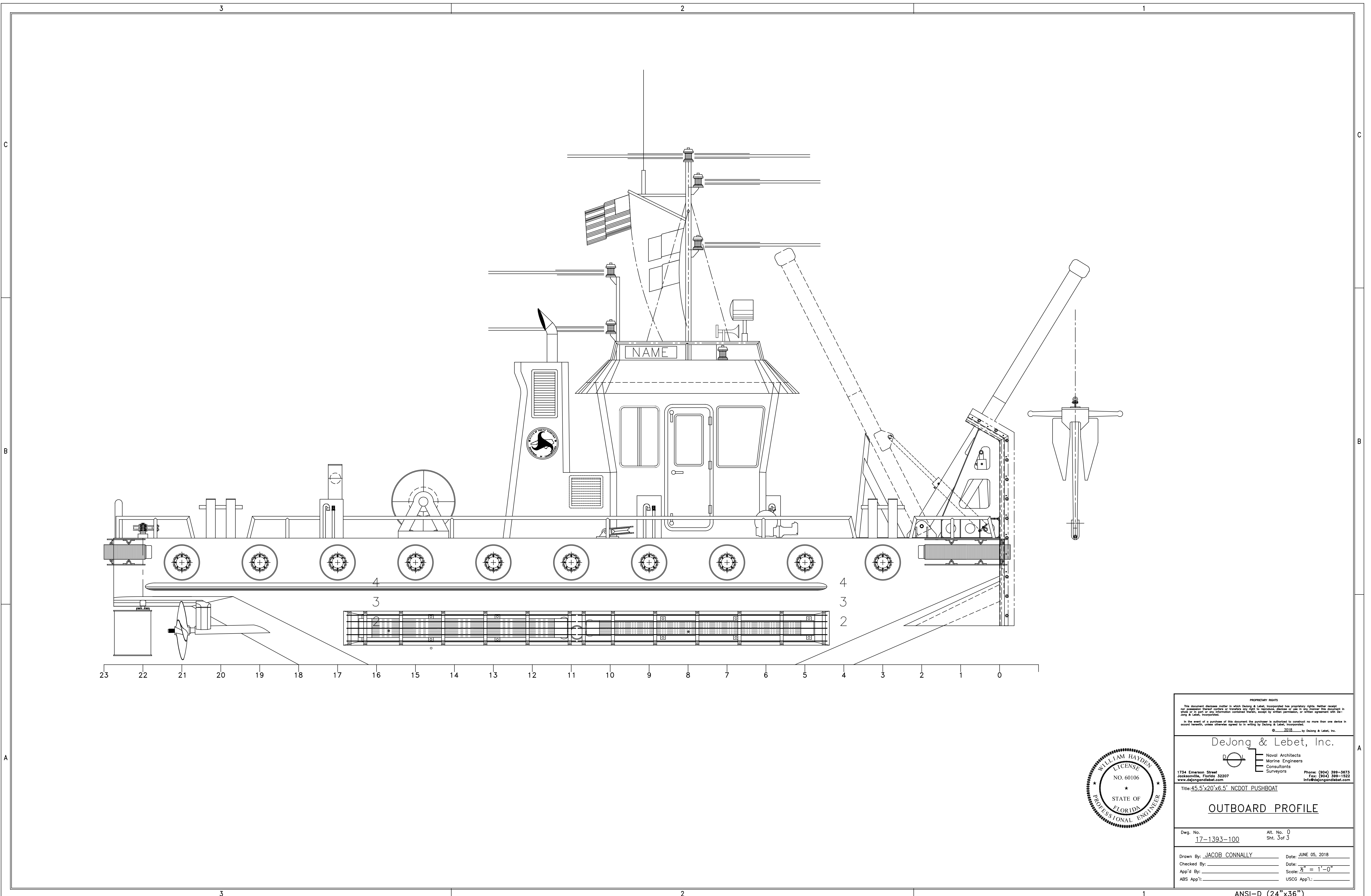
Drawn By: JACOB CONNALLY Date: JUNE 05, 2018

Checked By: _____ Date: _____

App'd By: _____ Scale: $\frac{1}{2}'' = 1'-0''$

ABS App'l: _____ USCG App'l: _____





PROPRIETARY RIGHTS
 This document discloses matter in which DeJong & Lebet, Incorporated has proprietary rights. Neither receipt nor possession, transfer, nor use of this document, or any information contained herein, shall be construed as an agreement with DeJong & Lebet, Incorporated, or as an authorization to reproduce, copy, or disseminate the information contained herein, except by written permission, or written agreement with DeJong & Lebet, Incorporated.
 In the event of a purchase of this document the purchaser is authorized to construct no more than one device in accord herewith, unless otherwise agreed to in writing by DeJong & Lebet, Incorporated.
 © 2018 by DeJong & Lebet, Inc.

DeJong & Lebet, Inc.
 Naval Architects
 Marine Engineers
 Consultants
 Surveyors
 1734 Emerson Street
 Jacksonville, Florida 32207
 www.dejongandlebet.com
 Phone: (904) 399-3873
 Fax: (904) 399-1522
 info@dejongandlebet.com

Title: 45.5'x20'x6.5' NCDOT PUSHBOAT
OUTBOARD PROFILE

Dwg. No. 17-1393-100 Alt. No. 0 Sht. 3 of 3
 Drawn By: JACOB CONNALLY Date: JUNE 05, 2018
 Checked By: _____ Date: _____
 App'd By: _____ Scale: 1/2" = 1'-0"
 ABS App'l: _____ USCG App'l: _____