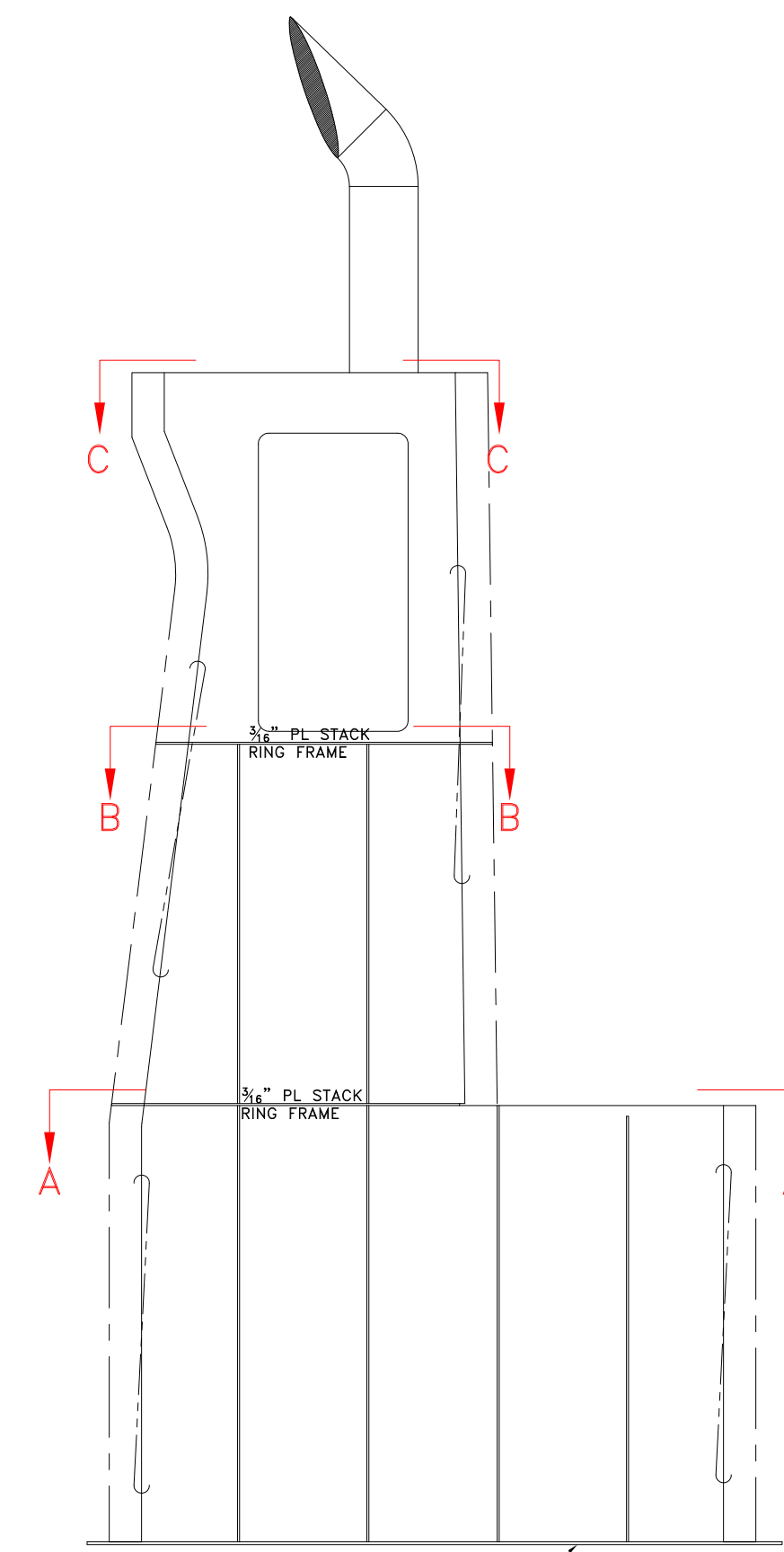
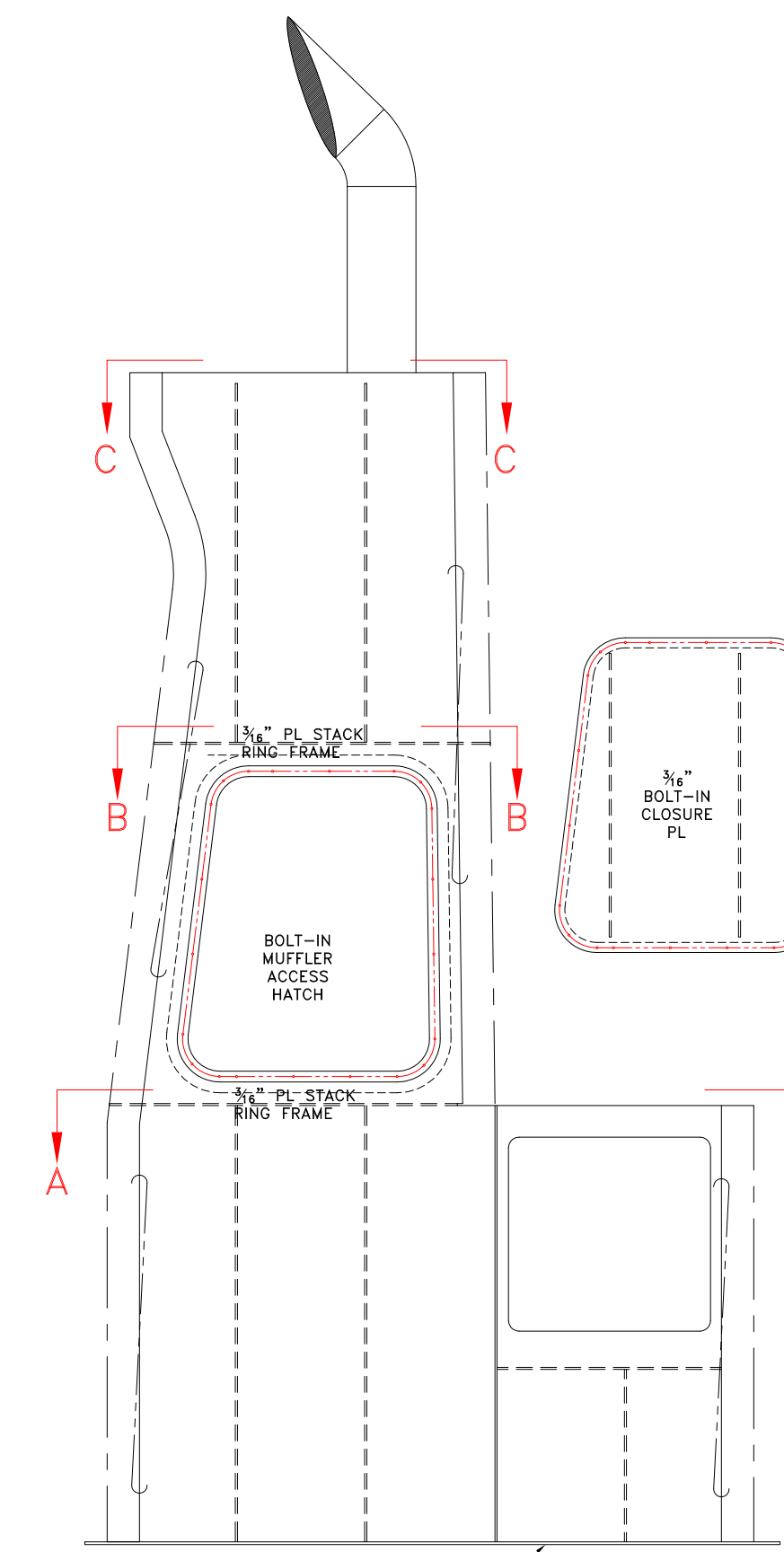


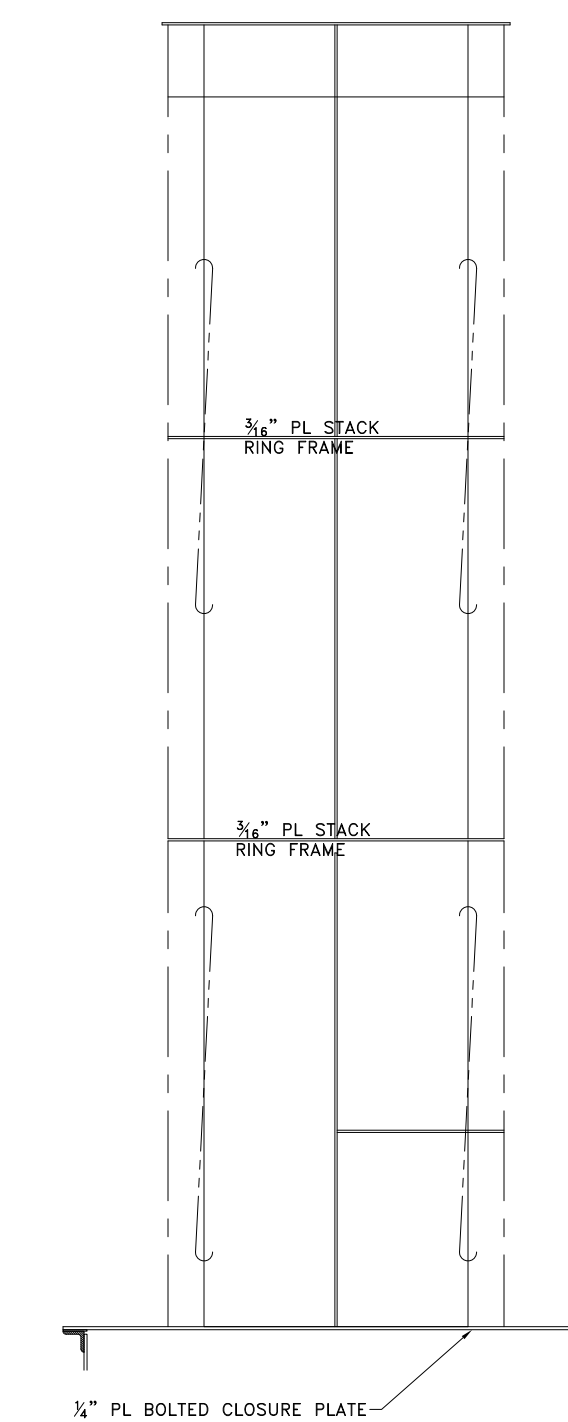
AFT STACK BHD
 $\frac{3}{16}$ " PL W $\frac{3}{16} \times 2\frac{1}{2}$ " F.B. STIFFENERS
 UNLESS OTHERWISE NOTED
 PORT SIDE SHOWN LKG FWD
 STBD SIDE SIM.;OPP. HAND



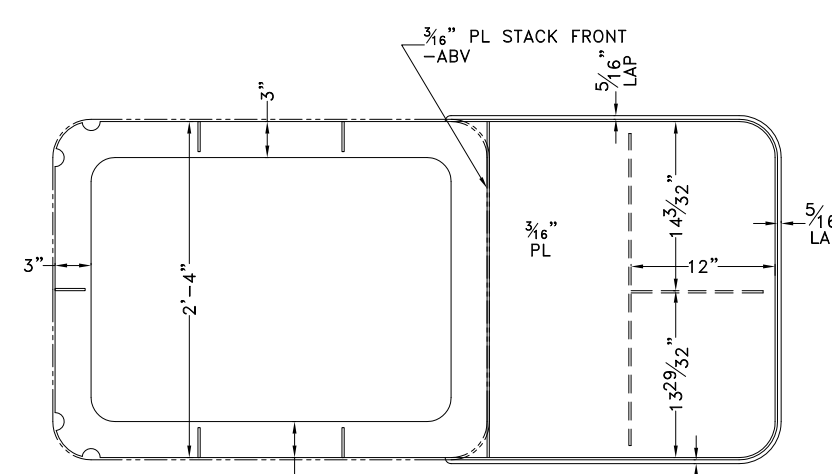
OUTBOARD STACK BHD
 $\frac{3}{16}$ " PL W $\frac{3}{16} \times 2\frac{1}{2}$ " F.B. STIFFENERS
 UNLESS OTHERWISE NOTED
 STBD SIDE SHOWN LKG INBD
 PORT SIDE SIM.;OPP. HAND



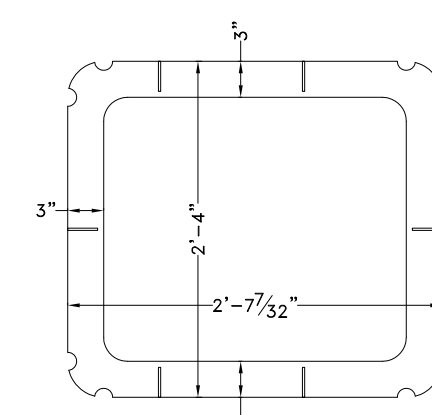
INBD STACK BHD
 $\frac{3}{16}$ " PL W $\frac{3}{16} \times 2\frac{1}{2}$ " F.B. STIFFENERS
 UNLESS OTHERWISE NOTED
 STBD SIDE SHOWN LKG INBD
 PORT SIDE SIM.;OPP. HAND



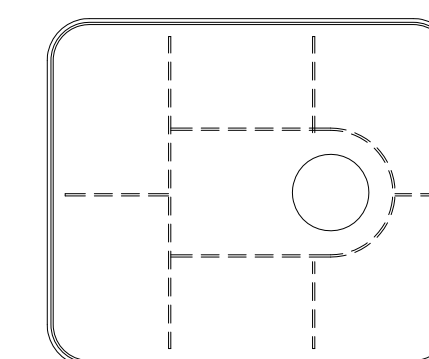
FWD STACK BHD
 $\frac{3}{16}$ " PL W $\frac{3}{16} \times 2\frac{1}{2}$ " F.B. STIFFENERS
 UNLESS OTHERWISE NOTED
 PORT SIDE SHOWN LKG FWD
 STBD SIDE SIM.;OPP. HAND



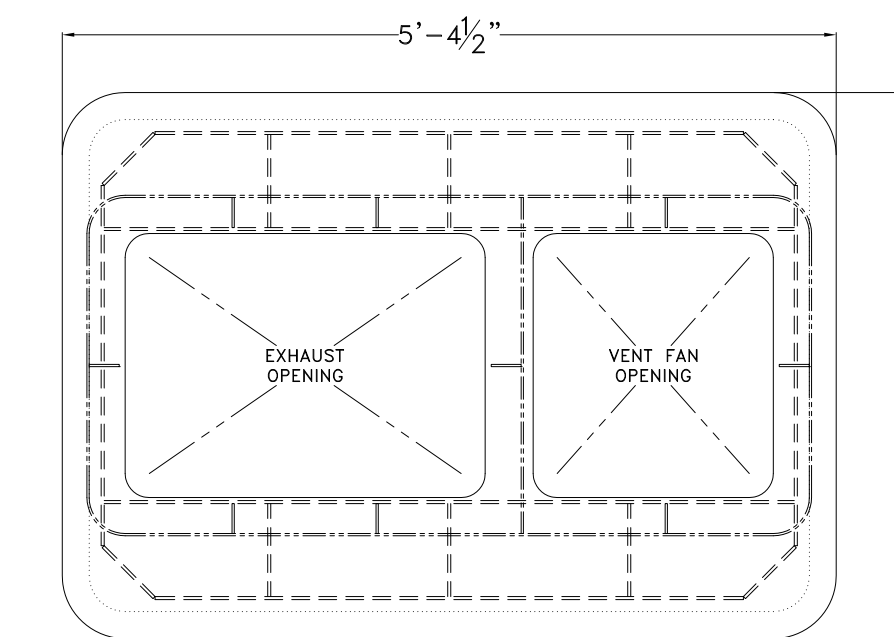
SECTION A-A
 VENT BOX TOP & STACK RING FRAME
 • 3"-4 1/2" ABV $\frac{1}{4}$ " PL BOLTED COVER PLATE
 $\frac{3}{16}$ " PL W $\frac{3}{16} \times 2\frac{1}{2}$ " F.B. STIFFS
 PORT SIDE SHOWN LKG DOWN
 STBD SIMILAR; OPP. HAND



SECTION B-B
 $\frac{3}{16}$ " PL STACK RING FRAME
 • 6"-2" ABV $\frac{1}{4}$ " PL BOLTED COVER PLATE
 PORT SIDE SHOWN LKG DOWN
 STBD SIMILAR; OPP. HAND



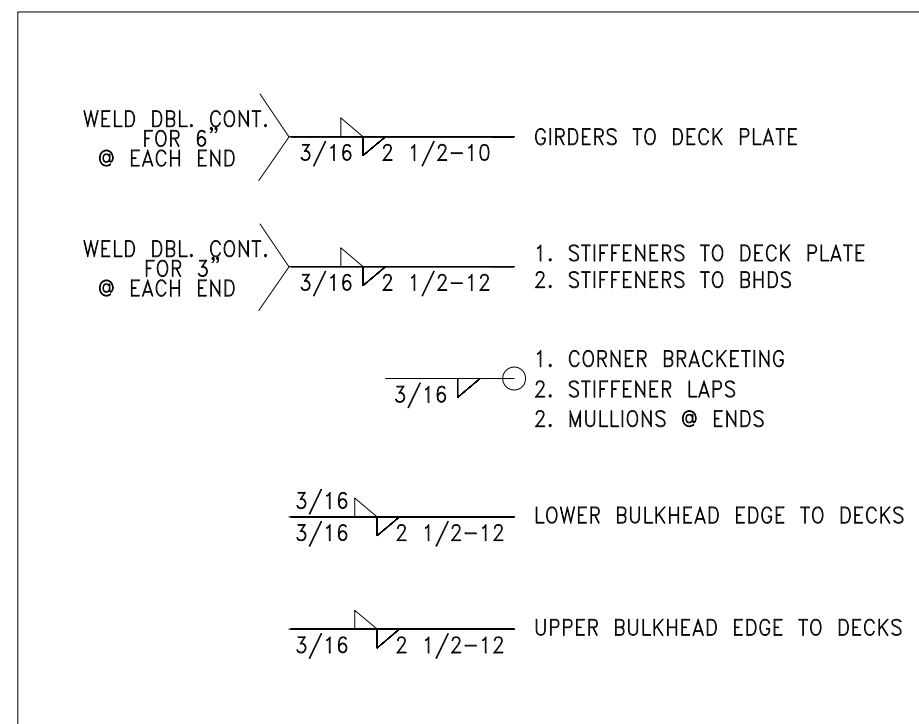
SECTION C-C
 $\frac{3}{16}$ " PL STACK TOP PLATE
 W/ $\frac{3}{16} \times 2\frac{1}{2}$ " F.B. STIFFS
 PORT SIDE SHOWN LKG DOWN
 STBD SIMILAR; OPP. HAND



STACK BASEPLATE DETAIL
 $\frac{1}{4}$ " PL STACK TOP PLATE
 W/ $\frac{3}{16} \times 3$ " F.B. STIFFS
 LKG DOWN

ALL DECKHOUSE CONSTRUCTION
5086 H116 AL. PLATING
6061-T6 AL. EXTRUSIONS

WELD SCHEDULE-TYPICAL



PROPRIETARY RIGHTS
 This document contains matter in which DeJong & Lebet, Incorporated has proprietary rights. Neither counsel nor permission thereof is granted on transfer or right to reproduce, disclose or use in any manner this document in whole or in part or any substantial portion thereof, except by written permission, or written agreement with DeJong & Lebet, Incorporated.
 In the event of a purchase of this document the purchaser is authorized to construct no more than one device to accord therewith, unless otherwise agreed to in writing by DeJong & Lebet, Incorporated.
 © 2018 by DeJong & Lebet, Inc.

DeJong & Lebet, Inc.
 Naval Architects
 Marine Engineers
 Consultants
 Surveyors

1734 Emerson Street
 Jacksonville, Florida 32207
 www.dejongandlebet.com
 Phone: (904) 399-3473
 Fax: (904) 399-1522
 info@dejongandlebet.com

Title: 45.5'x20'x6.5' NCDOT PUSHBOAT

ALUMINUM STACK STRUCTURAL DETAILS

Dwg. No. 17-1393B-152 Alt. No. 0
 Sht. 2 of 2

Drawn By: JACOB CONNALLY Date: JUNE 05, 2018
 Checked By: _____ Date: _____
 App'd By: _____ Scale: $\frac{3}{4}$ " = 1'-0"
 ABS App'l: _____ USCG App'l: _____

