

SCHEMATIC

CUSTOMER: MOORE ELECTRIC SUPPLY COMPANY

CUSTOMER ORDER: 7762D

WESTINGHOUSE G.O.: CH 30476-L45

TWO LEAF BASCULE BRIDGE

NORTHEAST CAPE FEAR RIVER BRIDGE

US 117 - NC 133 AT WILMINGTON N.C.

STATE OF NORTH CAROLINA

DEPARTMENT OF TRANSPORTATION

CLASS 22A501 4x 75HP

APPLICATION	SHEETS
FACING SHEET	1
DIAGRAM SYMBOLS AND REFERENCES	2
LIMIT SWITCH DEVELOPMENTS AND RESISTOR CONNECTIONS	3
AUTOMATIC TRANSFER SWITCHES	4-5
INCOMING AND STANDBY SERVICE	6
BUS PROTECTION AND METERING	7
THYRISTOR AND TACHOMETER TRANSFER CIRCUITS	8
THYRISTOR POWER CIRCUIT - NEAR SIDE	A1
MOTOR POWER CIRCUIT - NEAR SIDE	A2
REGULATOR - NEAR SIDE	A3-A4
TEST MODULE - NEAR SIDE	A5
RELAY POWER SUPPLY - NEAR SIDE	A6
THYRISTOR POWER CIRCUIT - FAR SIDE	B1
MOTOR POWER CIRCUIT - FAR SIDE	B2
REGULATOR - FAR SIDE	B3-B4
TEST MODULE - FAR SIDE	B5
RELAY POWER SUPPLY - FAR SIDE	B6
MOTOR BRAKES, EMERGENCY BRAKES AND SPAN LOCK POWER CIRCUITS - NEAR SIDE	C1
CENTER LOCKS, BARRIER GATES AND TRAFFIC GATE POWER CKTS. - NEAR SIDE	C2
MOTOR BRAKES, EMERGENCY BRAKES AND SPAN LOCK POWER CIRCUITS - FAR SIDE	D1
BARRIER GATES AND TRAFFIC GATE POWER CIRCUITS - FAR SIDE	D2
TRAFFIC CONTROL CIRCUIT	E1
BARRIER & TRAFFIC GATE CONTROL CKTS	E2-E3
SPAN LOCK & CENTER LOCK CONTROL CKTS	E4
SPAN LOCK CONTROL CIRCUIT	E5
SPAN MOTOR & BRAKE OVERLOAD CIRCUITS	E6
EMERGENCY BRAKE CONTROL CIRCUITS	E7
NEAR SIDE SPAN CONTROL CIRCUIT	E8
FAR SIDE SPAN CONTROL CIRCUIT	E9

APPLICATION	SHEETS
NEAR SIDE PANELBOARD PNB-1 AND N.S. AUXILIARY DRIVE MOTOR CONTROL	F1
CONTROL HOUSE, WORK ROOM, CONT. ROOM & GENERATOR ROOM LIGHTING CIRCUITS	F2
NEAR SIDE PANELBOARD PNB-2 CIRCUITS	F3-F4
NAVIGATION LIGHT CIRCUITS	F5
ROADWAY LIGHTING CIRCUITS	F6
FAR SIDE PANELBOARD PNB-3 CIRCUITS	F7
FAR SIDE PANELBOARD PNB-5 CIRCUITS & F.S. AUXILIARY DRIVE MOTOR CONTROL	F8
TELEPHONE CIRCUITS	F9
BRIDGE OPENING SEQUENCE	G1
BRIDGE CLOSING SEQUENCE	G2
SIGN OFF SHEET	G3



WESTINGHOUSE ELECTRIC CORPORATION

INDUSTRY SYSTEMS BUFFALO, NEW YORK

FACING SHEET

SHEETS 45	SUB 5	DWG.	SHEET 1
	CONT'D. ON 2	4955C59	

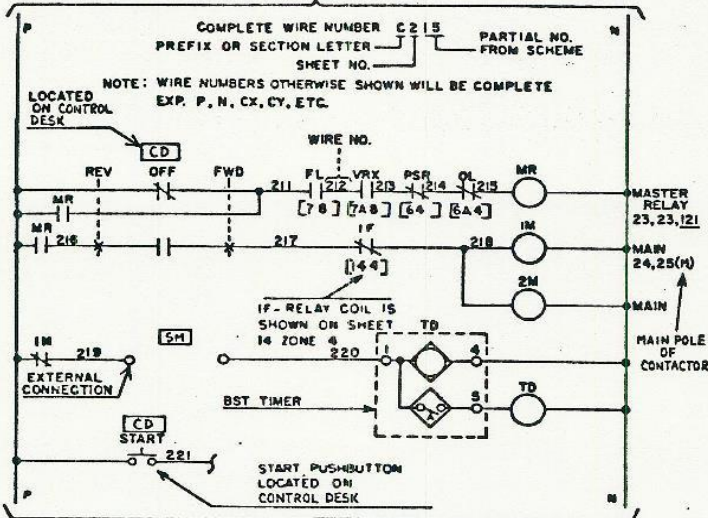
01

DET. M. K. SCHARF
 ENGR. W. BUDINGTON
 4955C59

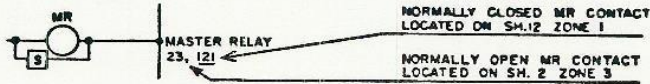
SHEET 1

ZONE

SYSTEM USED TO LOCATE CONTACTS, INTERLOCKS, COILS, ETC. ON THE SAME SHEET OR OTHER SHEETS OF THE DRAWING. NUMBERS AT EDGES OF SHEET INDICATE AREA OR ZONE OF THAT SHEET. AREA LOCATION OF CONTACTOR OR RELAY CONTACTS IS SHOWN TO THE RIGHT OF VERTICAL CONTROL BUS AND ADJACENT TO ASSOCIATED COIL. AREA LOCATION OF COIL IS SHOWN IN BRACKETS ADJACENT TO ASSOCIATED CONTACTS IF COIL IS ON DIFFERENT SHEET.



- [CD] - CONTROL DESK
 - [RC1] - RESISTOR CABINET #1 (NEARSIDE)
 - [RC2] - RESISTOR CABINET #2 (FARSIDE)
 - [NAC] - NEARSIDE AUXILIARY DRIVE MOTOR CONTROL CABINET
 - [FAC] - FARSIDE AUXILIARY DRIVE MOTOR CONTROL CABINET
 - [SM] - SEPARATELY MOUNTED
- EQUIPMENT NOT IDENTIFIED TO BE LOCATED IN MAIN CONTROL CABINETS



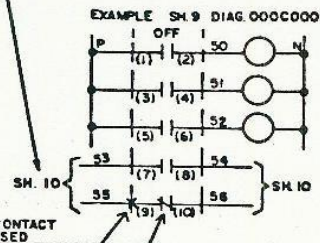
LAST DIGIT IN AREA NUMBER INDICATE ZONE, PRECEDING DIGITS INDICATE SHEET NUMBERS

23 = NO LINE UNDER AREA NUMBER INDICATES NORMALLY OPEN CONTACT

121 = LINE UNDER AREA NUMBER INDICATES NORMALLY CLOSED CONTACT

SHOW MASTER SWITCHES, SELECTOR SWITCHES, CAM LIMIT SWITCHES AND PUSHBUTTONS IN THEIR COMPLETE FORM IN ONE LOCATION ON THE ELEMENTARY.

THE CONTACTS ON SH. 10 WILL BE WIRED IN CIRCUIT AS USED



- ABBREVIATIONS
- NO. = NUMBER
 - SH. = SHEET
 - N.O. = NORMALLY OPEN
 - N.C. = NORMALLY CLOSED
 - BLK = BLACK
 - BRN = BROWN
 - BLU = BLUE
 - GRY = GRAY
 - GRN = GREEN
 - ORN = ORANGE
 - RED = RED
 - VIO = VIOLET
 - WHT = WHITE
 - YEL = YELLOW

TYPICAL GRAPHICAL SYMBOLS FOR NEMA STANDARDS

SWITCHES		
DISCONNECT	CIRCUIT INTERRUPTER	CIRCUIT BREAKER

LIMIT SWITCHES		
SPRING RETURN		
NORMALLY OPEN	NORMALLY CLOSED	NEUTRAL
MELD CLOSED	MELD OPEN	

TIMER CONTACTS - CONTACT ACTION RETARDED WHEN COIL IS -			
ENERGIZED		DE-ENERGIZED	
NORMALLY OPEN	NORMALLY CLOSED	NORMALLY OPEN	NORMALLY CLOSED

COILS		
RELAYS - TIMERS	OVERLOAD THERMAL	SOLENOID & SHUNT BRAKES

INDICATING LIGHT	CONDUCTORS		SHUNT	METER
	NOT CONN	CONNECTED		
NOTE COLOR BY LETTER				

GENERAL CONTACTS			RESISTORS	
NORMALLY OPEN	NORMALLY CLOSED	WITH BLOWOUT	FIXED	TAPPED

PUSH BUTTONS			
SINGLE N.O.	CIRCUIT N.C.	DOUBLE CIRCUIT	MAINTAINED CONTACT

STATIC DEVICE	SWITCHES			
	FLOW	LIQUID LEVEL	PRESSURE	TEMPERATURE
EXAMPLE:	OPENING ON INCREASE IN FLOW	OPENING ON RISING LEVEL	OPENING ON RISING PRESSURE	OPENING ON RISING TEMP.
	CLOSING ON INCREASE IN FLOW	CLOSING ON RISING LEVEL	CLOSING ON RISING PRESSURE	CLOSING ON RISING TEMP.

THREE COND'S. TWISTED & SHIELDED	TWISTED & SHIELDED CONDUCTORS			
	SINGLE CONDUCTOR - SHIELDED	TWO CONDUCTORS - SHIELDED	TWO CONDUCTORS - TWISTED	TWO COND'S. - TWISTED & SHIELDED
SHIELD CONN.	SHIELD CONN.	SHIELD CONN.	SHIELD CONN.	SHIELD CONN.

4955C59



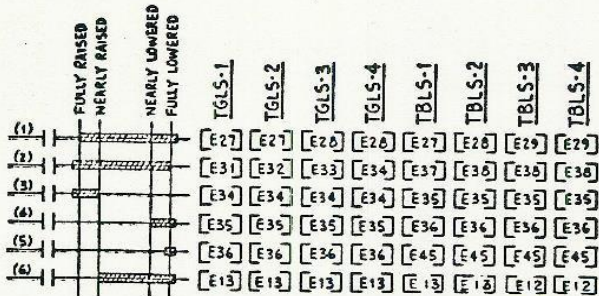
WESTINGHOUSE ELECTRIC CORPORATION

DIAGRAM SYMBOLS AND REFERENCES

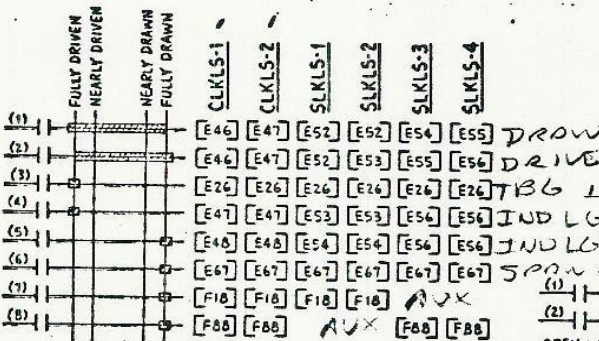
SUB 1
 CONT'D ON 3

DRG. 4955C59

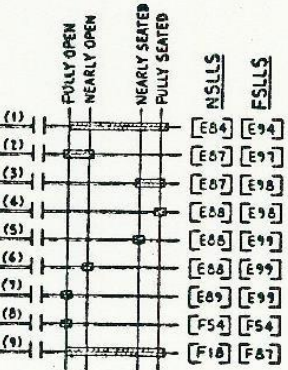
SHEET 2



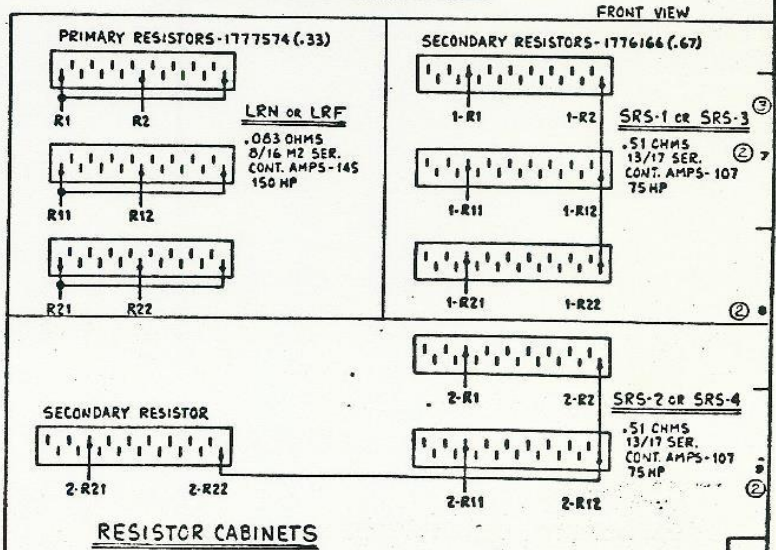
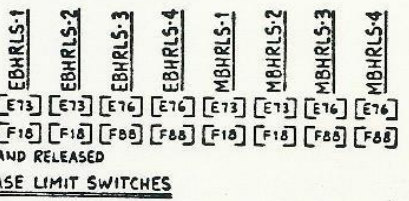
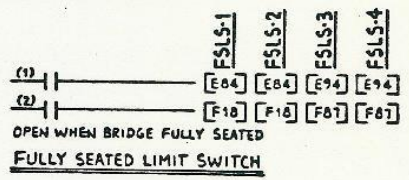
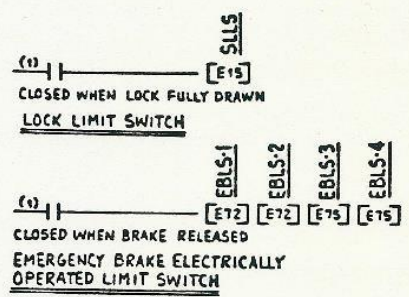
TRAFFIC GATE & BARRIER LIMIT SWITCHES (400)



LOCK LIMIT SWITCHES (403)



SPAN LIMIT SWITCHES (412)



4955C59



WESTINGHOUSE ELECTRIC CORPORATION

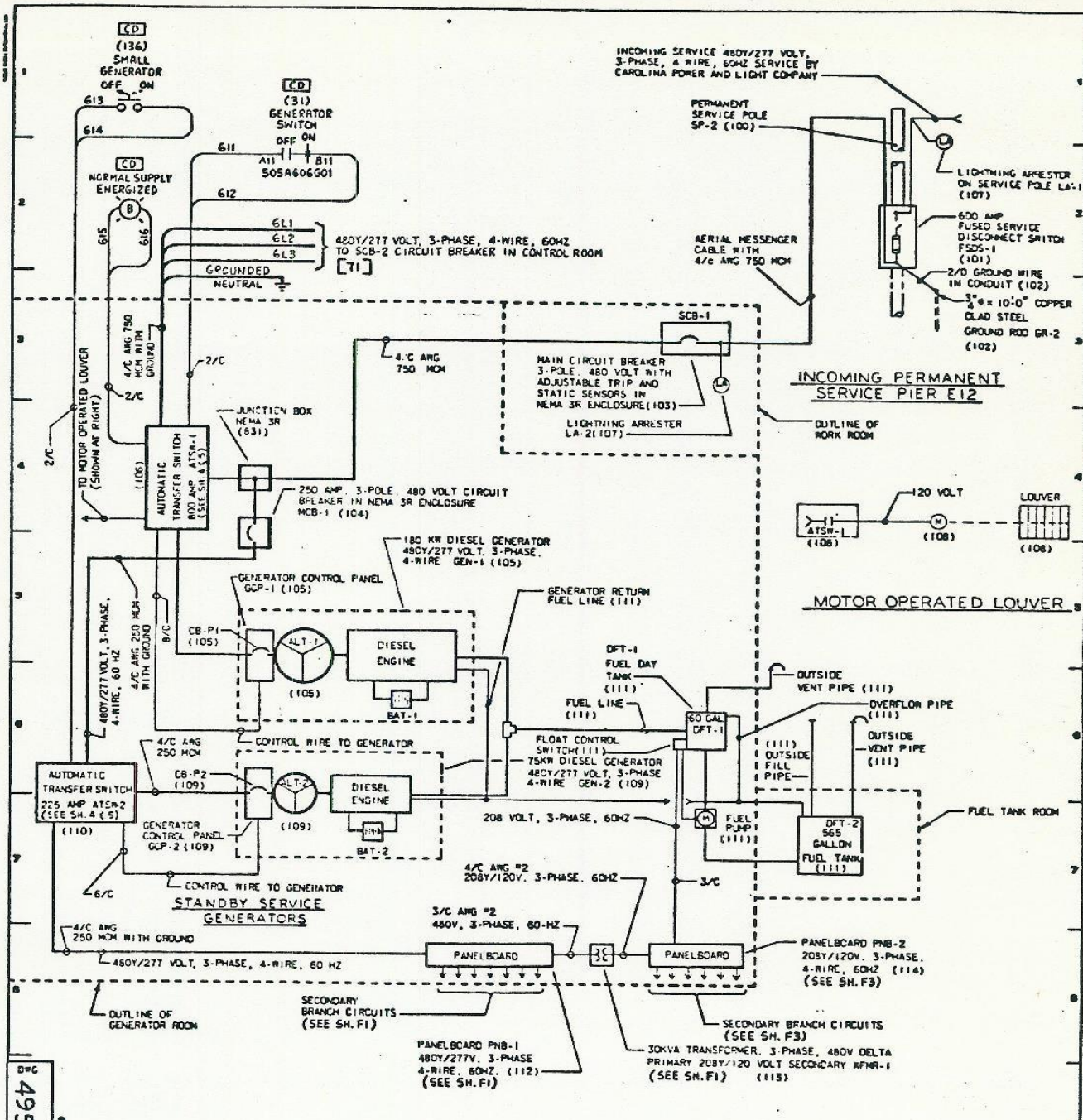
LIMIT SWITCH DEVELOPMENTS AND RESISTOR CONNECTIONS

INDUSTRY SYSTEMS BUFFALO NEW YORK

SUB 23
CONT'D ON 4

DWG
4955C59

SHEET
3



INCOMING AND STANDBY SERVICE **SM**

4955C59



WESTINGHOUSE ELECTRIC CORPORATION

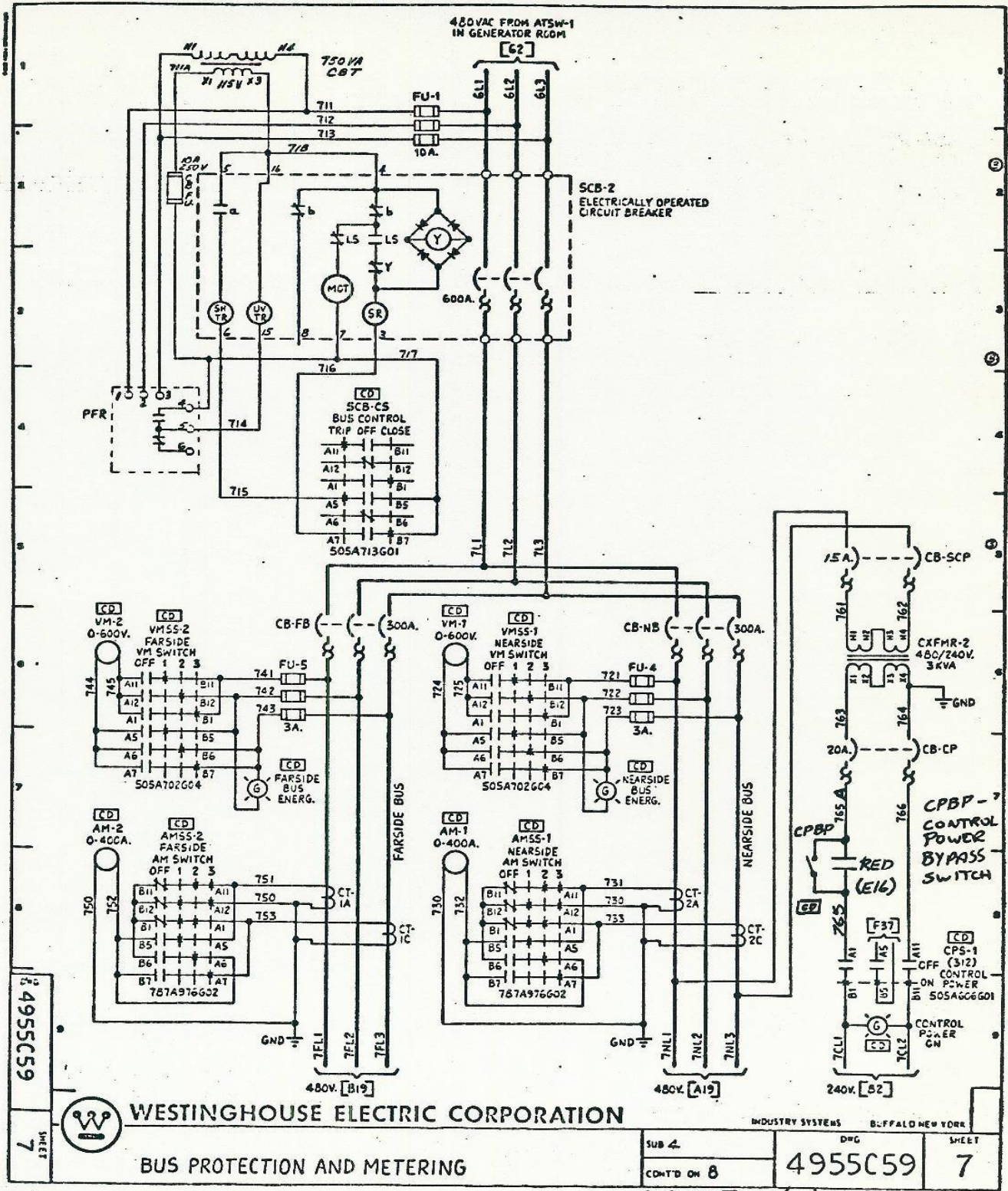
INDUSTRY SYSTEMS BUFFALO NEW YORK

INCOMING AND STANDBY SERVICE

SUB 8
CONT'D ON 7

DWG
4955C59

SHEET
6



4955C59
7
SHEET



WESTINGHOUSE ELECTRIC CORPORATION

BUS PROTECTION AND METERING

INDUSTRY SYSTEMS B. BUFFALO NEW YORK

SUB 4	DWG	SHEET
CONT'D ON 8	4955C59	7

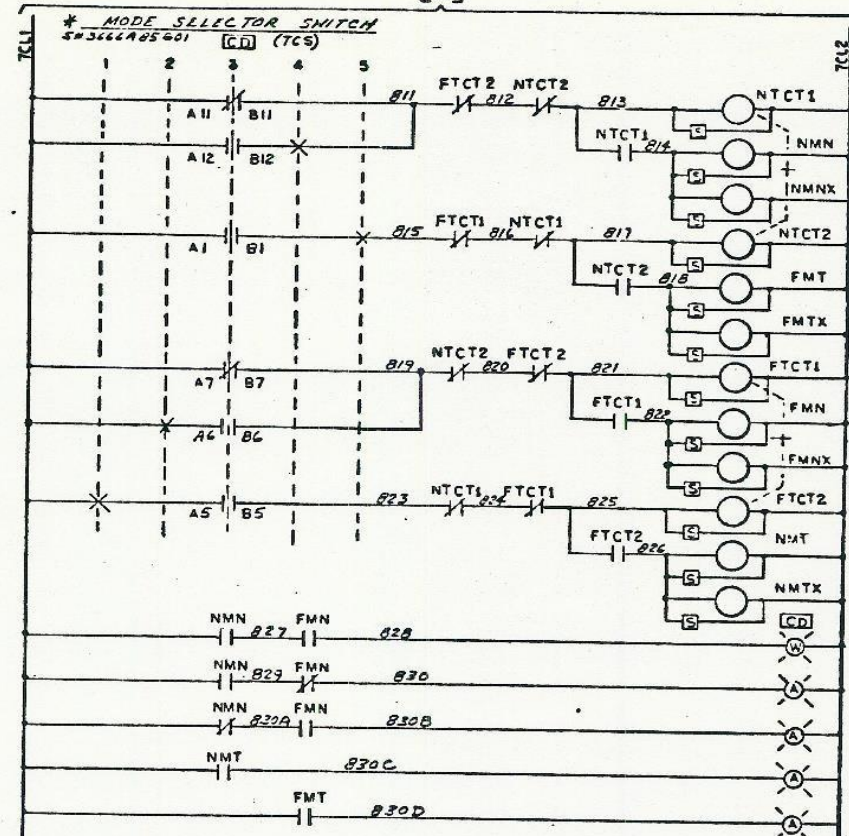
CORRECTED 1/12/82 880

240V. CONTROL POWER

[79]

* MODE SELECTOR SWITCH

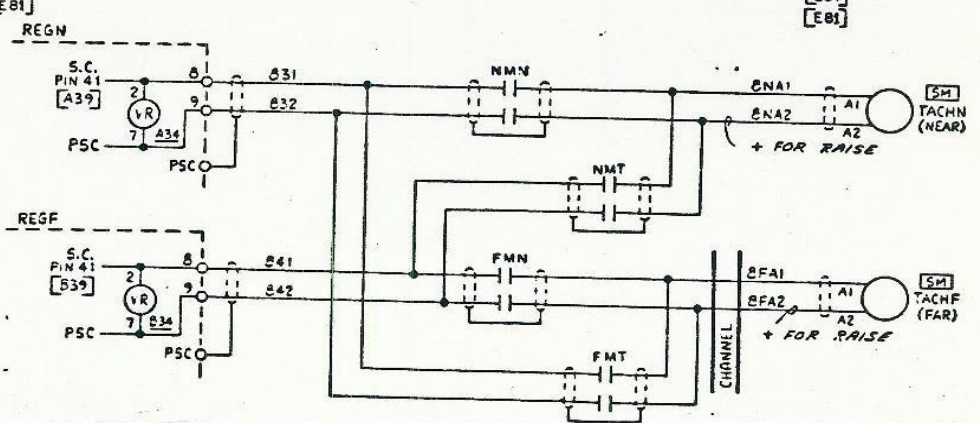
- 1 FAR SPAN CONTROL OPERATING NEAR SPAN
- 2 FAR SPAN ON-NEAR SPAN OFF
- 3 NORMAL
- 4 NEAR SPAN ON-FAR SPAN OFF
- 5 NEAR SPAN CONTROL OPERATING FAR SPAN



- NEAR SPAN CONTROL TO NEAR MOTOR 3-A27 (M), B2, B2, B5, B5, B5, B7, B9, B22, B22.
- E04, E04, E04, E05, E06, E07, E07. TO FAR MOTOR 3-A27 (M), B1, B3, B4.
- B6, B9, B9, B2, E93, E96
- FMTX E93, E94, E95, E95, E96, E97, E96.
- FAR SPAN CONTROL TO FAR MOTOR 3-B27 (M), B2, B4, B4.
- B5, B5, B6, B9, B9, B2, E92.
- E93, E94, E94, E95, E96, E97, E93 TO NEAR MOTOR 3-B27 (M), B2, B3, B4.
- B6, B8, B8, B8, E81, E83, E86
- E84, E84, E84, E85, E86, E87, E87.
- NORMAL OPERATION
- NEAR MOTORS ONLY
- FAR MOTORS ONLY
- NEAR MOTORS ON FAR CONTROL
- FAR MOTORS ON NEAR CONTROL

[E21]
[E41]
[E61]
[E81]

[E21]
[E41]
[E61]
[E81]



4955C59



WESTINGHOUSE ELECTRIC CORPORATION

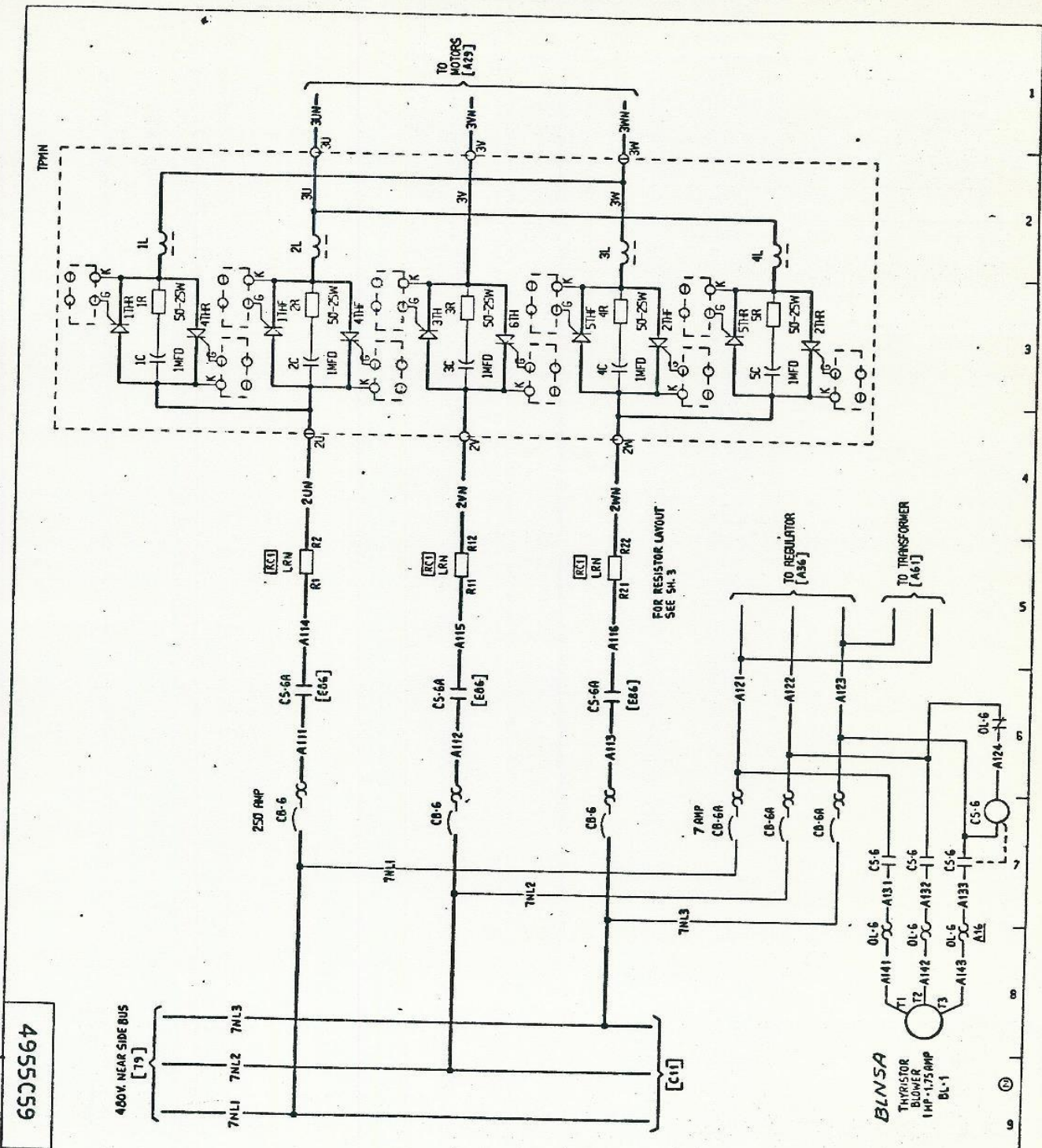
THYRISTOR AND TACHOMETER TRANSFER CIRCUITS

INDUSTRY SYSTEMS BUFFALO, N.Y.

SUB 5
CONT'D ON A1

4955C59

8



4955C59

A1

WESTINGHOUSE INC SYS BUFFALO NY

THYRISTOR POWER CIRCUIT - NEAR SIDE

SUB 23

CONT'D ON A2

DRAWING NO 4955C59

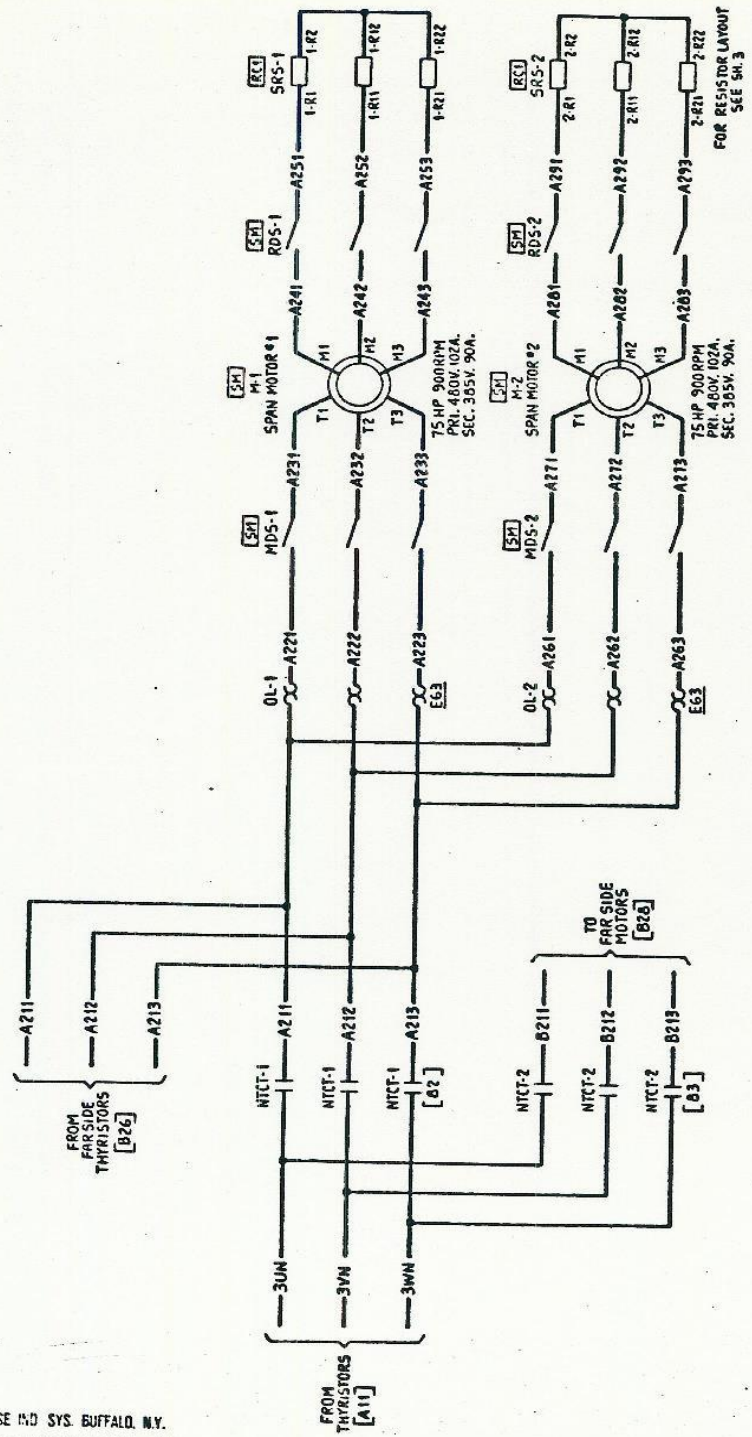
SHEET A1

4955CS9

A2

WESTINGHOUSE IND. SYS. BUFFALO, N.Y.

MOTOR POWER CIRCUIT - NEAR SIDE



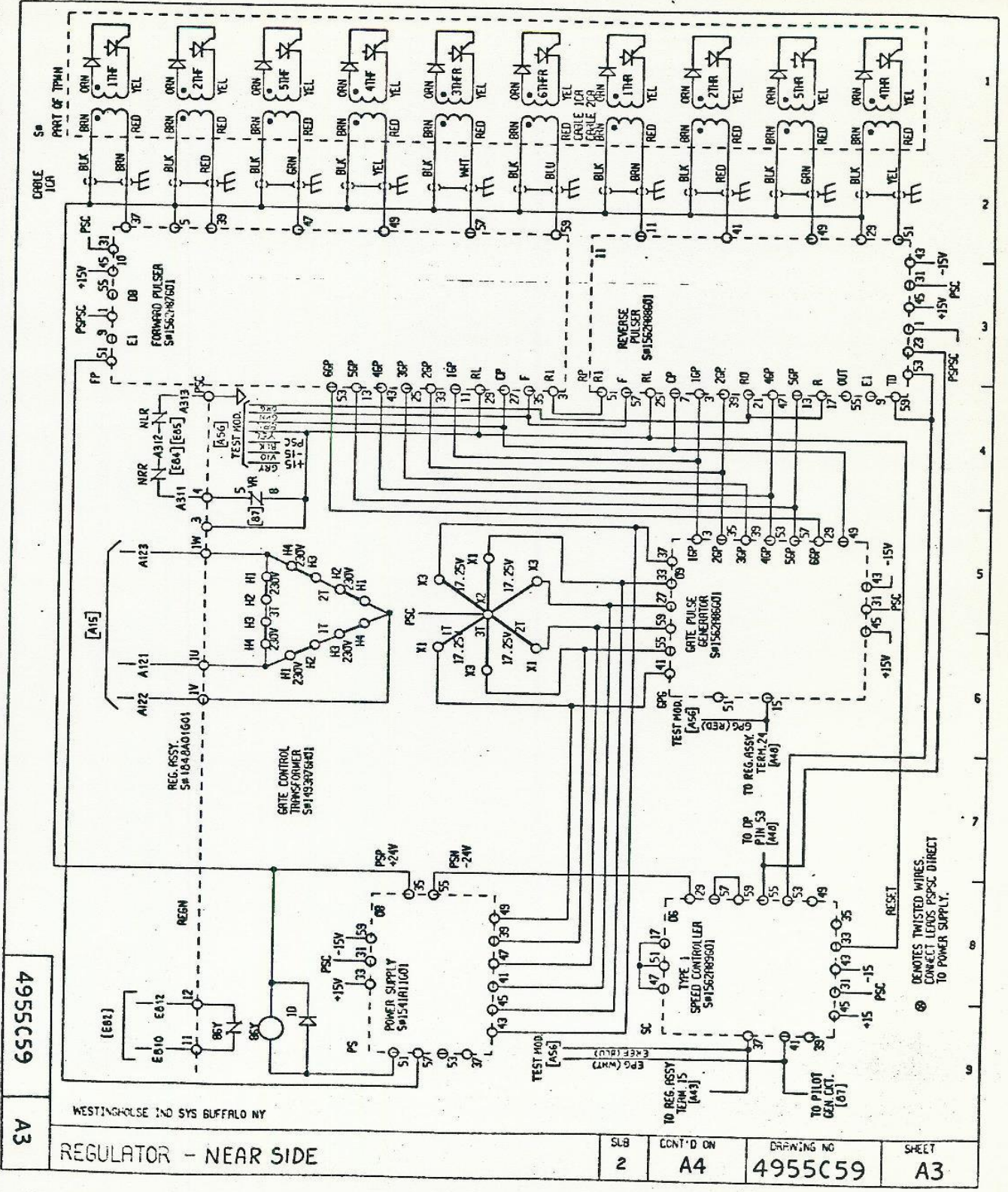
FOR RESISTOR LAYOUT
SEE SH. 3

SUB
1

CONT'D ON
A3

DRAWING NO.
4955CS9

SHEET
A2



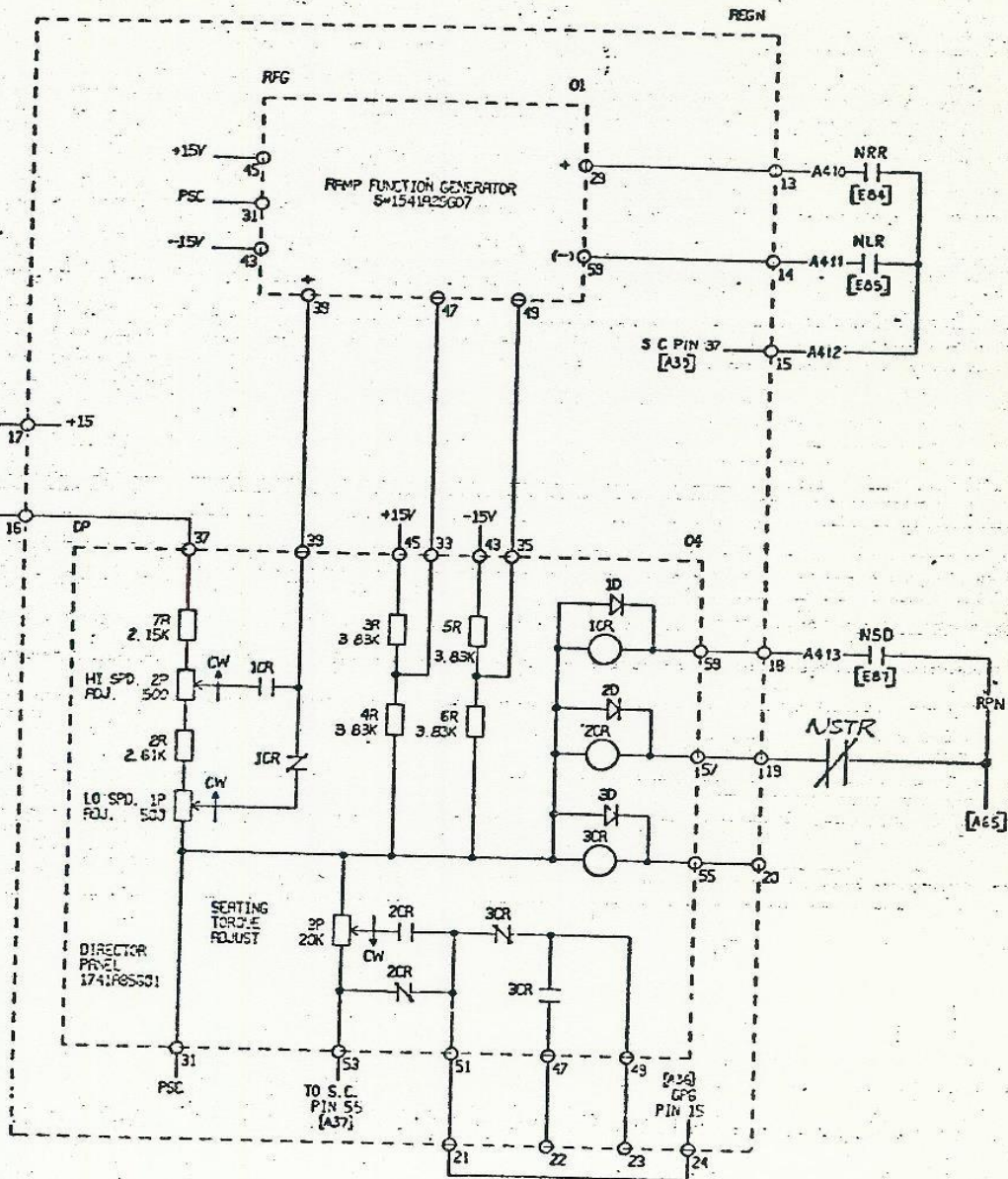
4955C59

A3

WESTINGHOUSE IND SYS BUFFALO NY

REGULATOR - NEAR SIDE

SLB 2	CONT'D ON A4	DRAWING NO 4955C59	SHEET A3
----------	-----------------	-----------------------	-------------



4955CS9

A4

WESTINGHOUSE INC. SYS. DEPT. NY

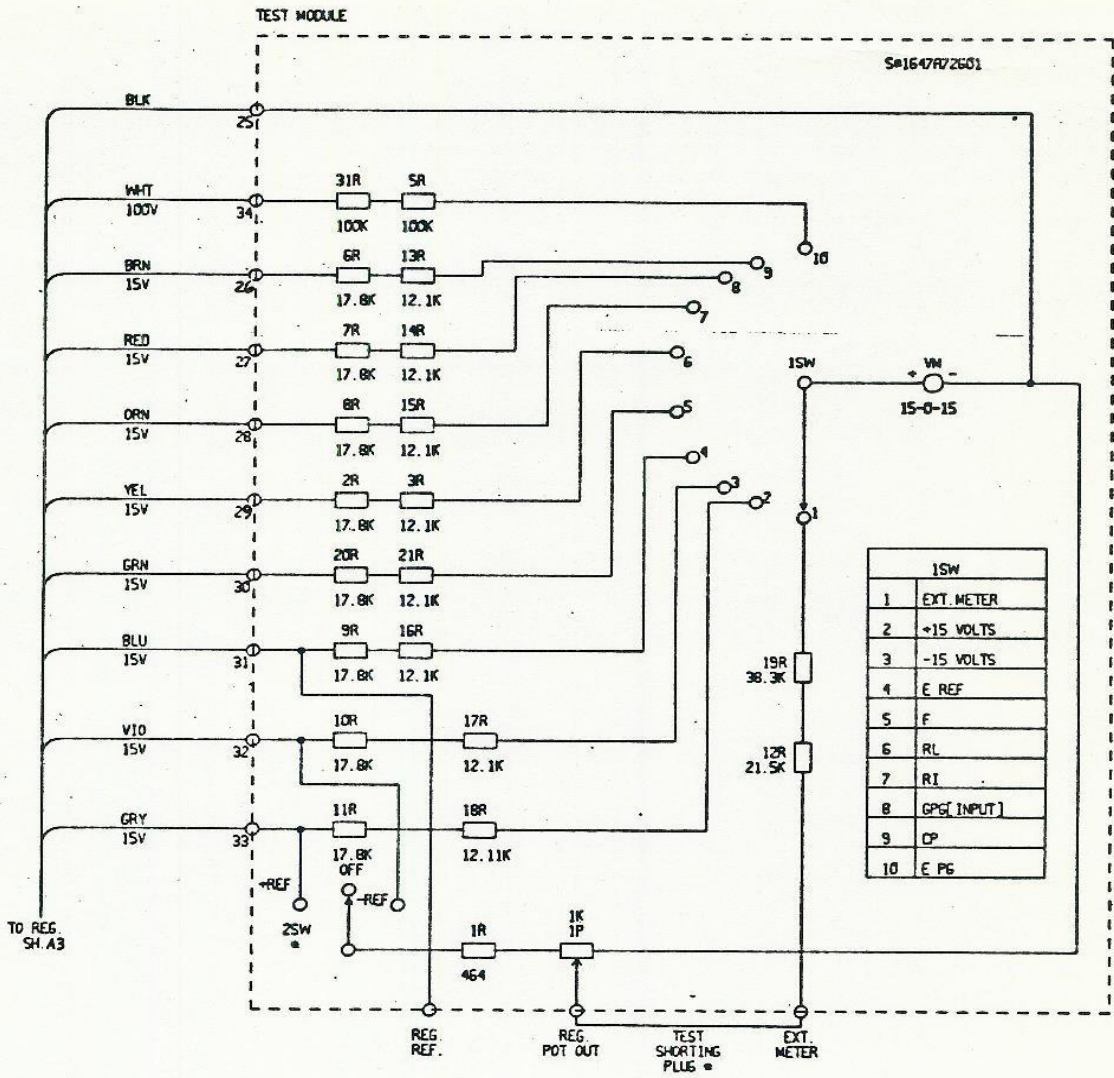
REGULATOR - NEAR SIDE

CS

CON'D ON
A5

DRAWING NO
4955CS9

SHEET
A4



• CAUTION -
SWITCH '2SW' MUST BE IN OFF POSITION FOR NORMAL USE. CIRCUIT TERMINAL POINTS 'REG. REF.' AND 'REG. POT. OUT' MUST BE OPEN STORE TEST SHORTING PLUG IN POSITION SHOWN.

4955C59

A5

WESTINGHOUSE IND. SYS. BUFFALO, NY

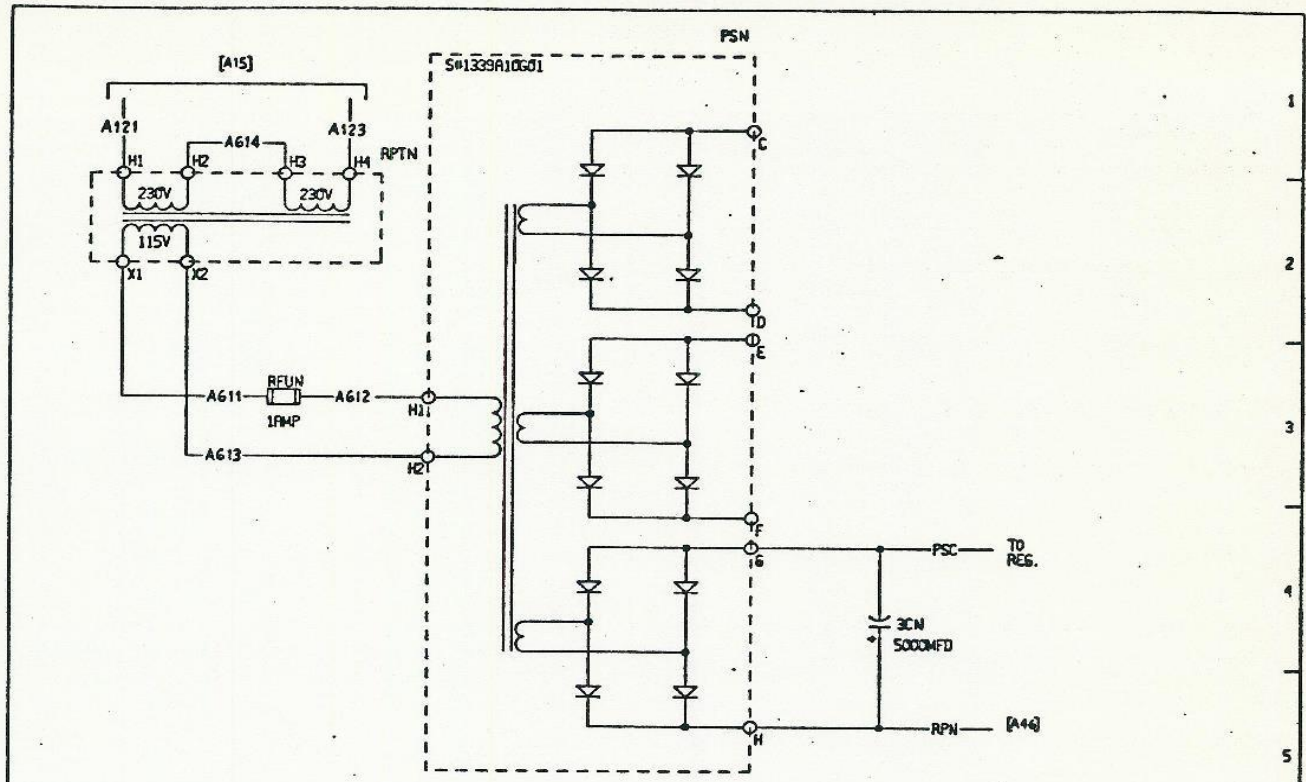
TEST MODULE [PART OF REGULATOR] - NEAR SIDE

SUB 2

CONT'D ON A6

DRAWING NO 4955C59

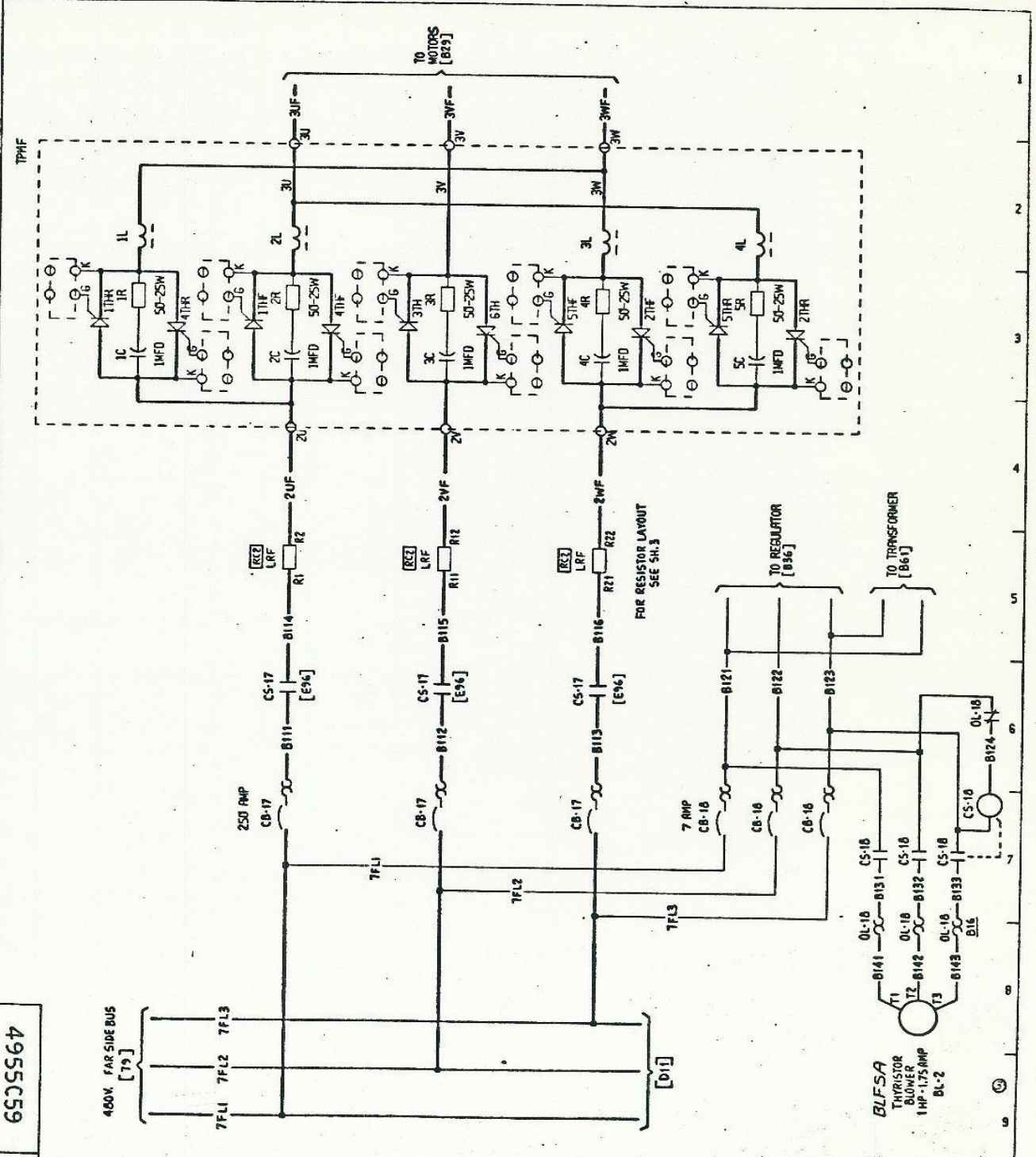
SHEET A5



4955C59
A6

WESTINGHOUSE IND SYS BUFFALO NY

RELAY POWER SUPPLY - NEAR SIDE	SUB 1	CONT'D ON B1	DRAWING NO 4955C59	SHEET A6
--------------------------------	----------	-----------------	-----------------------	-------------



4955C59

B1

WESTINGHOUSE INC SYS BUFFALO NY

THYRISTOR POWER CIRCUIT - FAR SIDE

SUB 4

CONT'D ON B2

DRAWING NO 4955C59

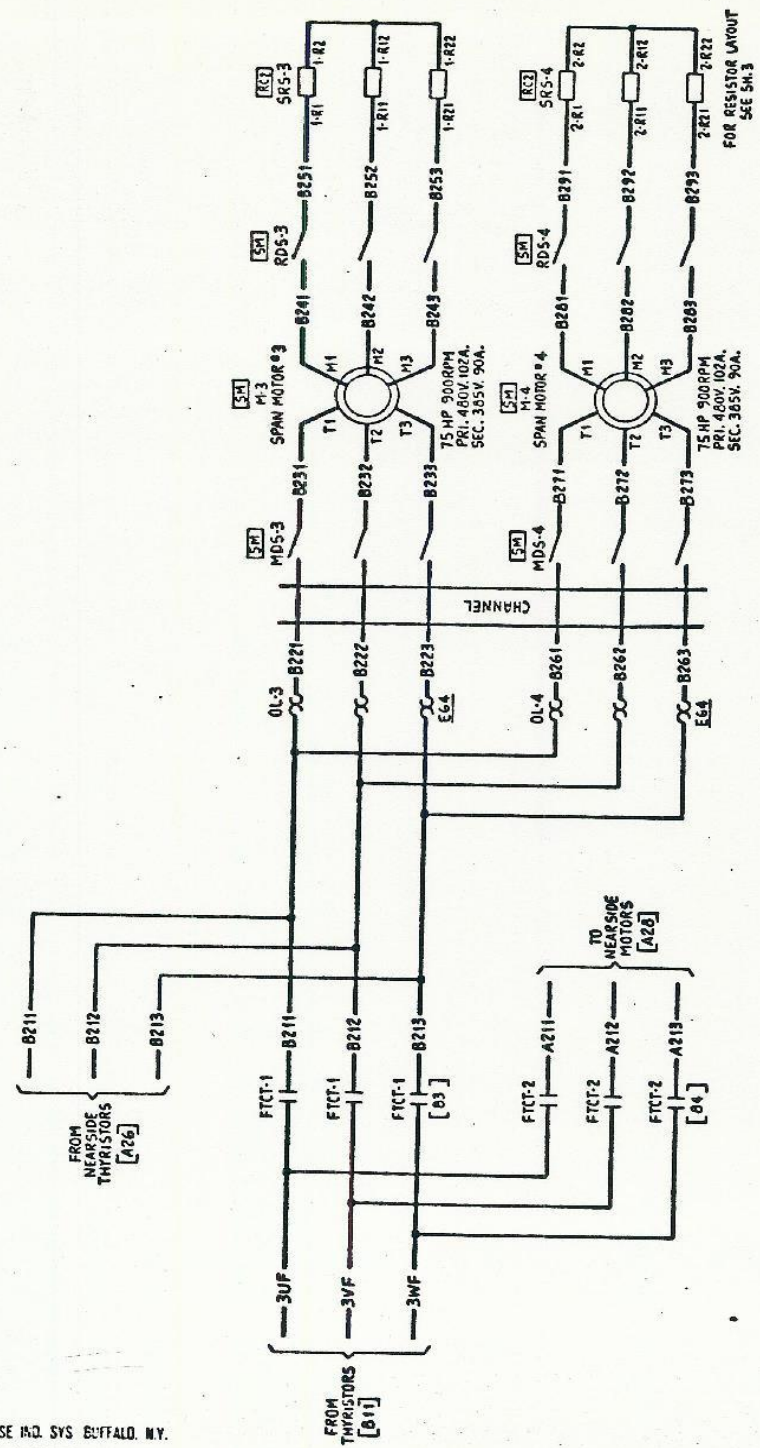
SHEET B1

4955C59

B2

WESTINGHOUSE IND. SYS. BUFFALO, N.Y.

MOTOR POWER CIRCUIT - FAR SIDE

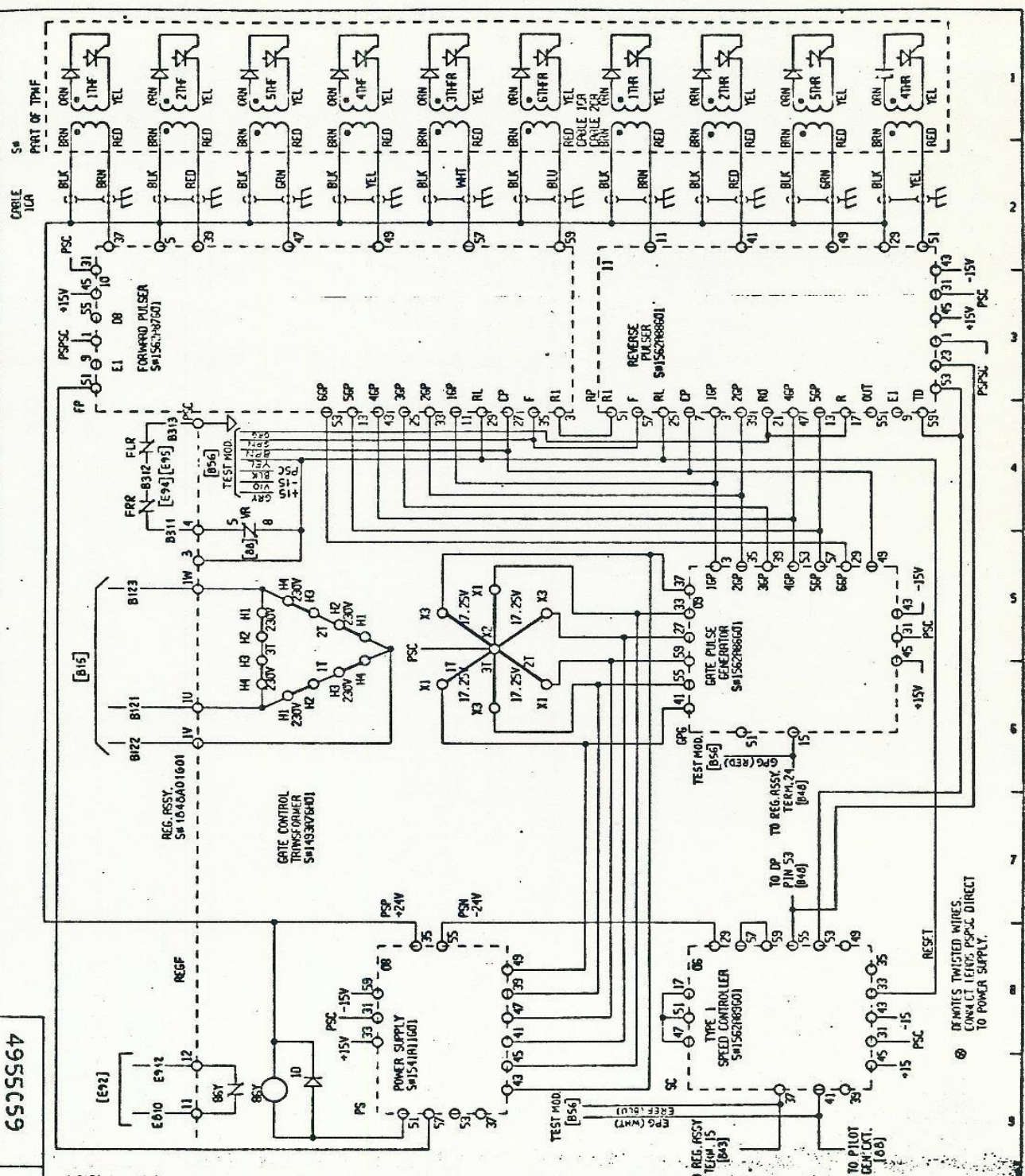


SUB 12

CONT'D ON B3

DRAWING NO. 4955C59

SHEET B2



4955C59

B3

WESTINGHOUSE INC SYS BUFFALO NY

REGULATOR - FAR SIDE

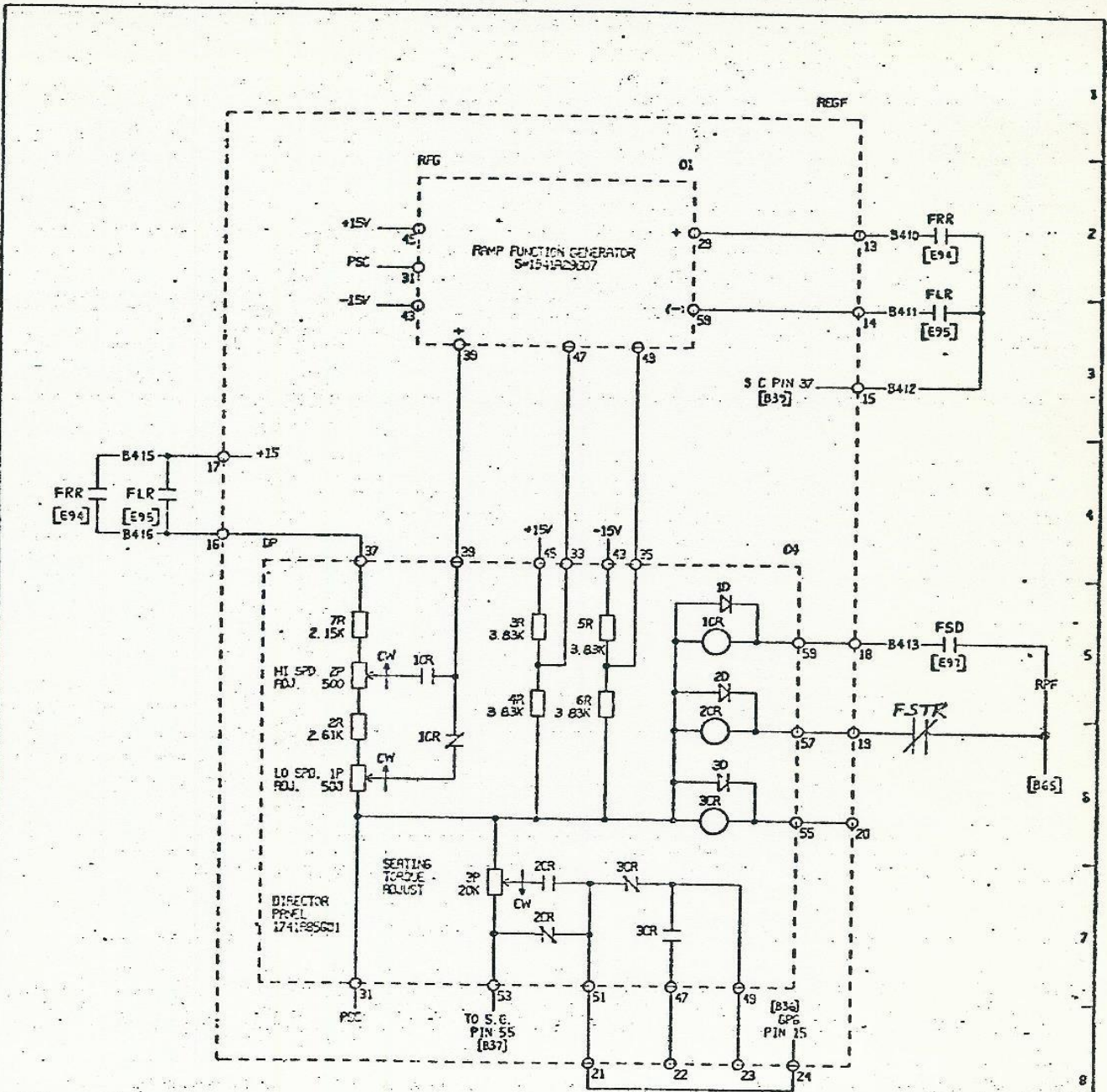
512

CONT'D ON B4

4955C59

SHEET B3

DE NOTES TWISTED WIRES. CONSULT LEADS. P.S.C. DIRECT TO POWER SUPPLY.



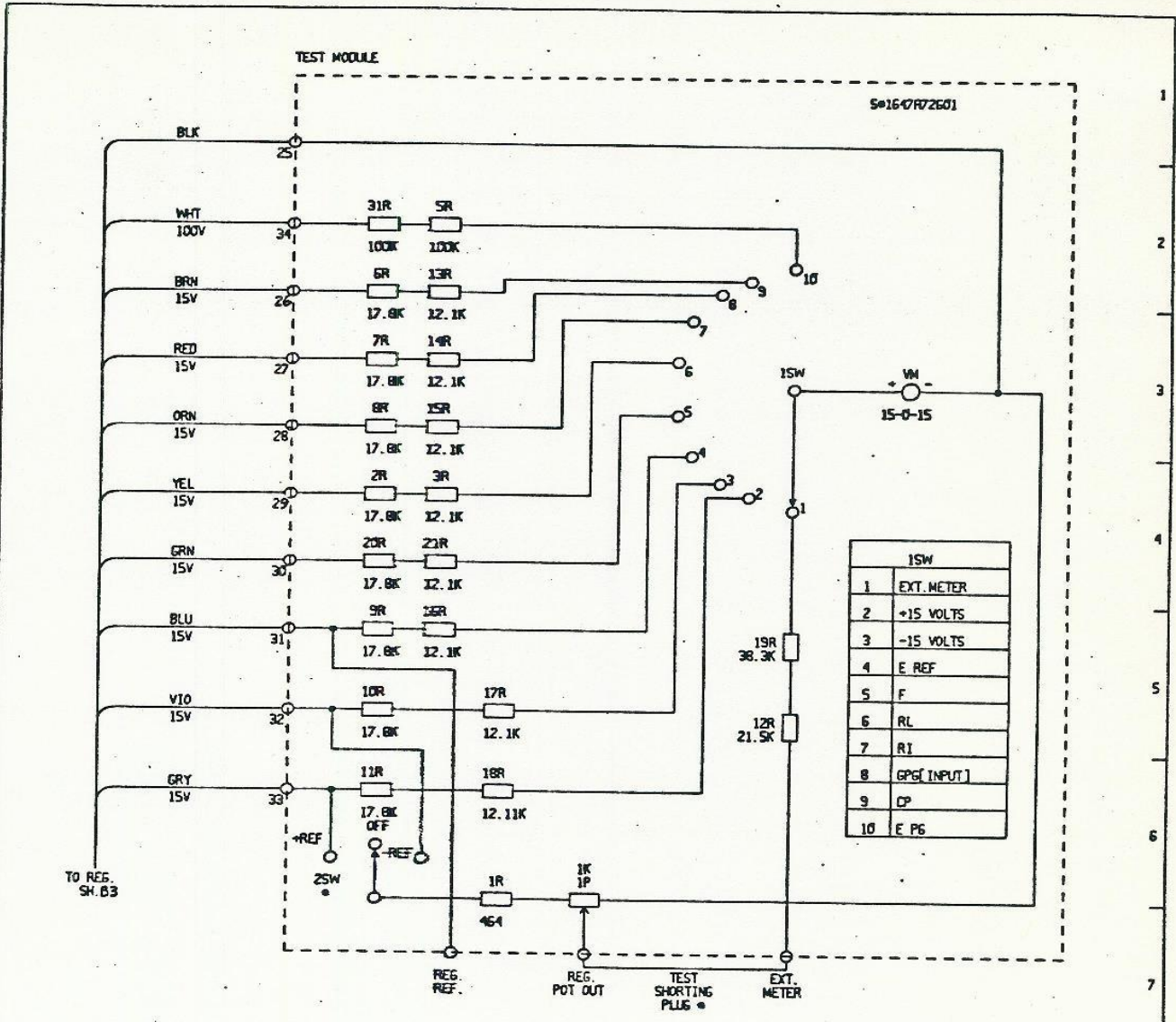
4955C59

B4

WESTINGHOUSE IND SYS 3, 97, 93, NY

REGULATOR - FAR SIDE

58	COND NO	DRAWING NO	SHEET
1	B5	4955C59	B4



• CAUTION -
 SWITCH 'ZSW' MUST BE IN OFF POSITION
 FOR NORMAL USE. CIRCUIT TERMINAL
 POINTS 'REG. REF.' AND 'REG. POT. OUT'
 MUST BE OPEN TO TEST SHORTING
 PLUS IN POSITION SHOWN.

4955C59

B5

WESTINGHOUSE IND SYS BUFFALO NY

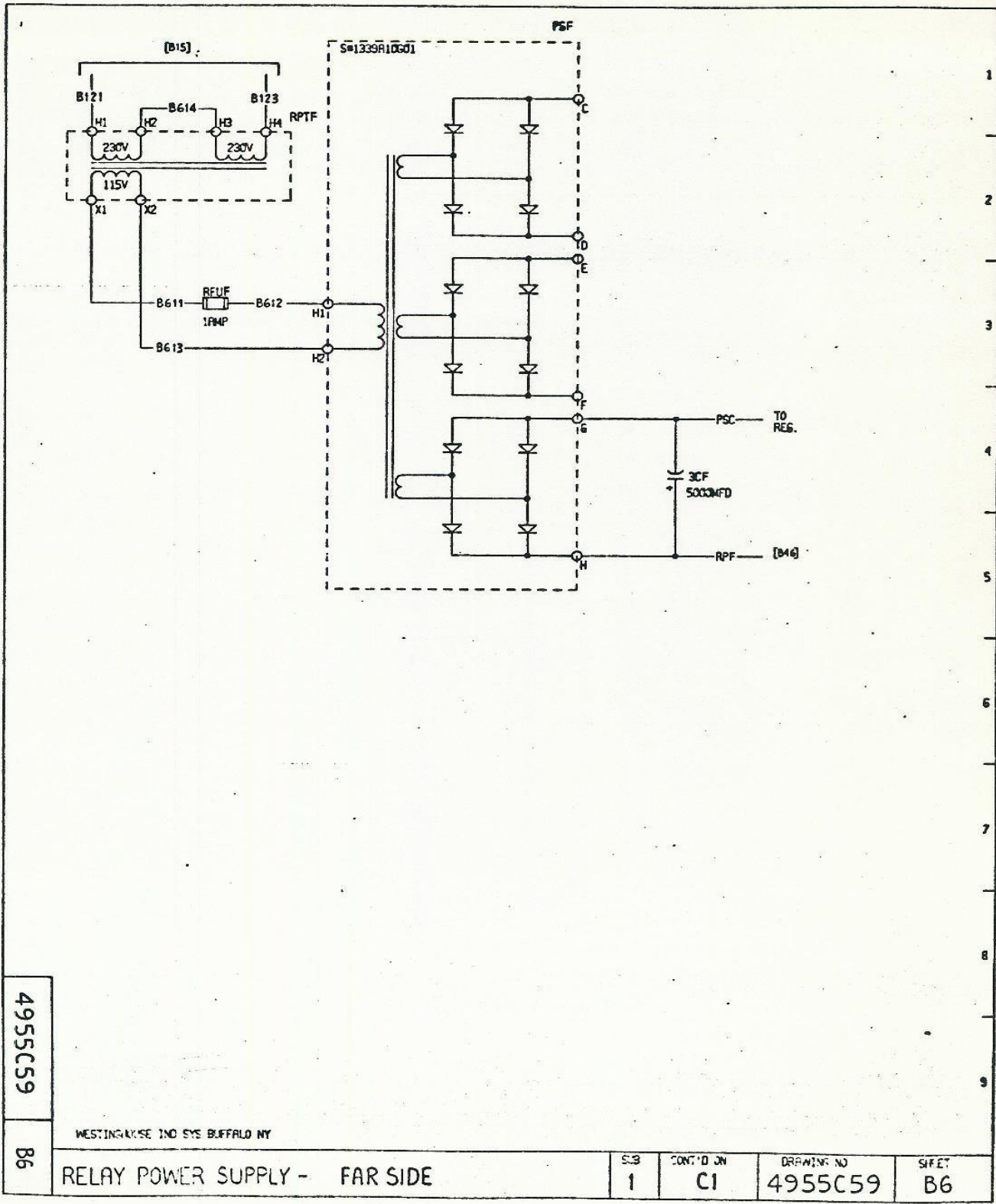
4955C59

B6

WESTINGHOUSE IND SYS BUFFALO NY

RELAY POWER SUPPLY - FAR SIDE

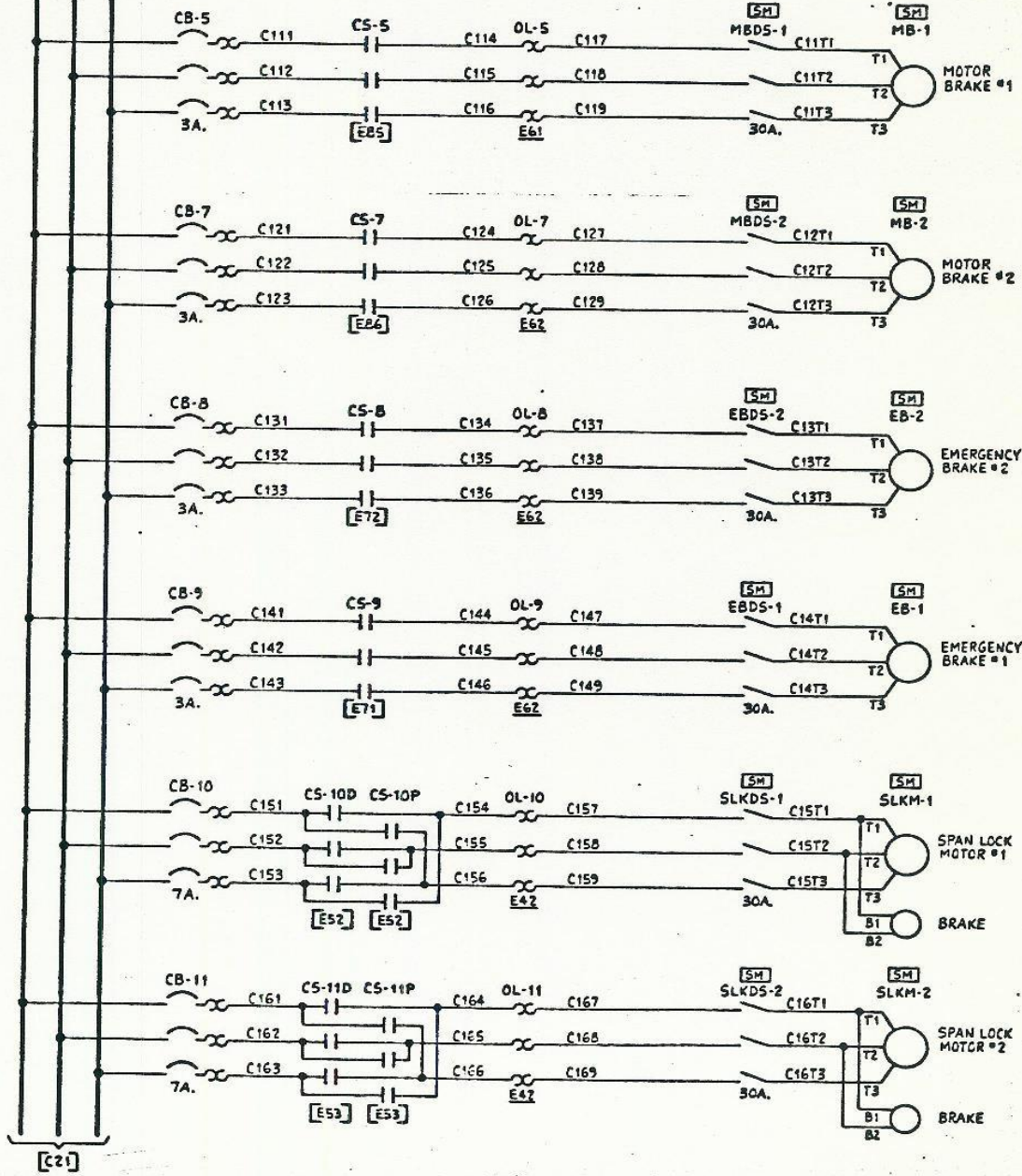
SUB	CONT'D ON	DRAWING NO	SHEET
1	CI	4955C59	B6



420V. NEAR-SIDE BUS

[A19]

7N1
7N2
7N3



4955C59

SHEET C1



WESTINGHOUSE ELECTRIC CORPORATION

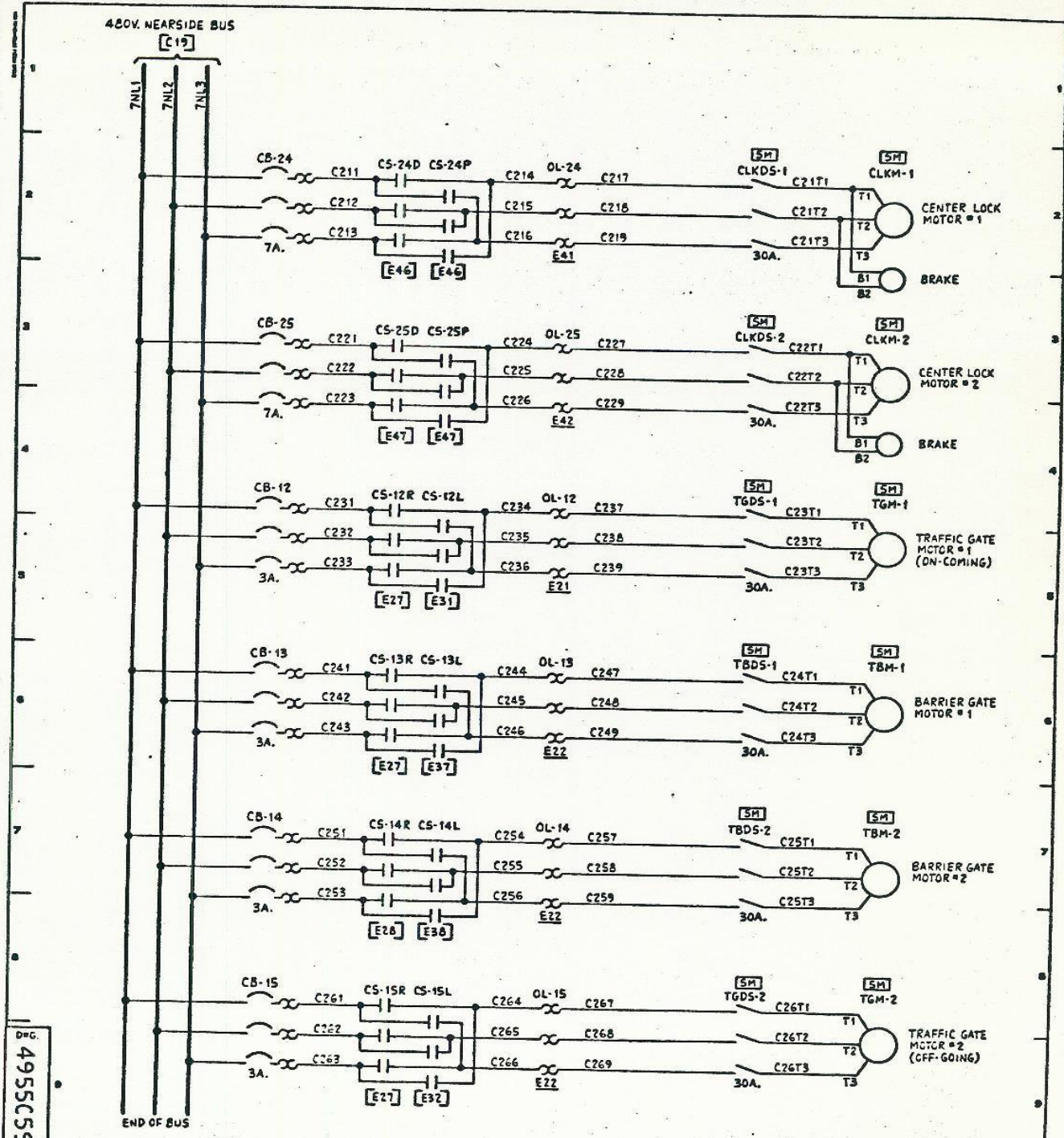
MOTOR BRAKES, EMERGENCY BRAKES, AND SPAN LOCKS - POWER CIRCUITS - NEAR SIDE

INDUSTRY SYSTEMS BUFFALO, NEW YORK

SUB 1
CONT'D ON C2

DWG 4955C59

SHEET C1



4955C59



WESTINGHOUSE ELECTRIC CORPORATION

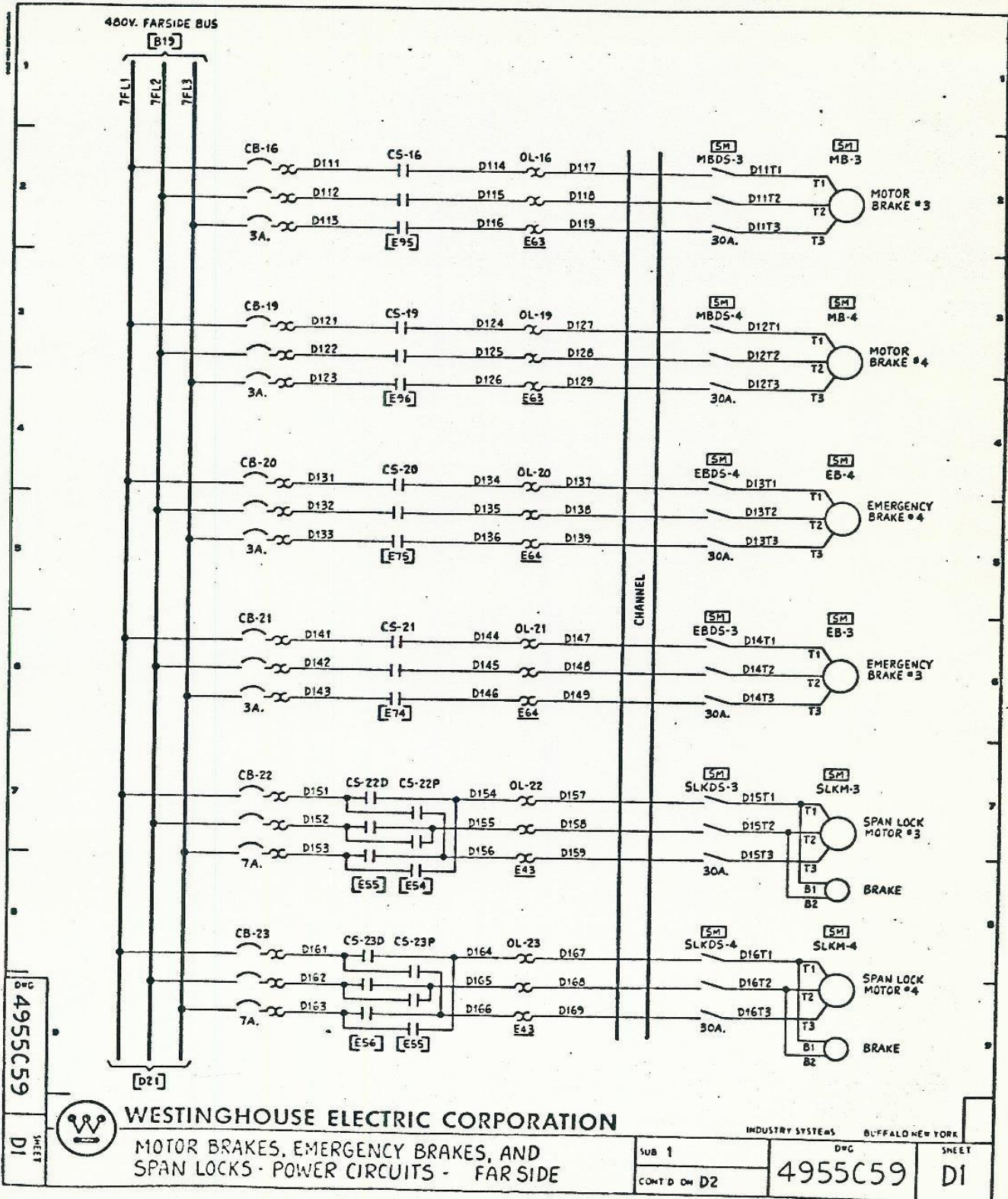
CENTER LOCKS, BARRIER GATES, AND TRAFFIC GATES - POWER CIRCUITS - NEARSIDE

INDUSTRY SYSTEMS BUFFALO, NEW YORK

SUB 1
CONT'D ON D1

DWG
4955C59

SHEET
C2



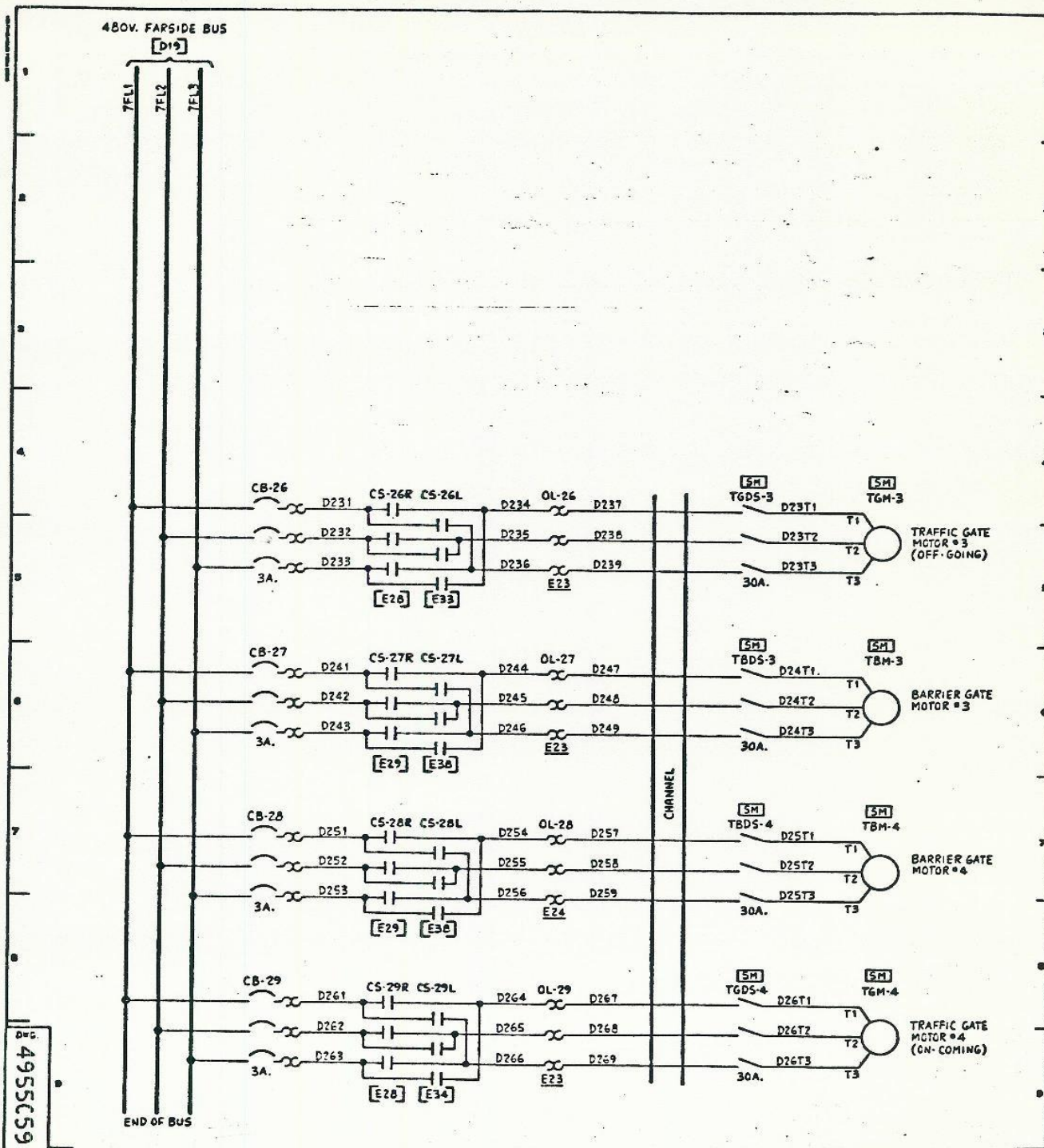
4955C59
DI



WESTINGHOUSE ELECTRIC CORPORATION
 MOTOR BRAKES, EMERGENCY BRAKES, AND
 SPAN LOCKS - POWER CIRCUITS - FAR SIDE

INDUSTRY SYSTEMS BUFFALO NEW YORK

SUB 1	DWG	SHEET
CONT'D ON D2	4955C59	DI



4955C59



WESTINGHOUSE ELECTRIC CORPORATION

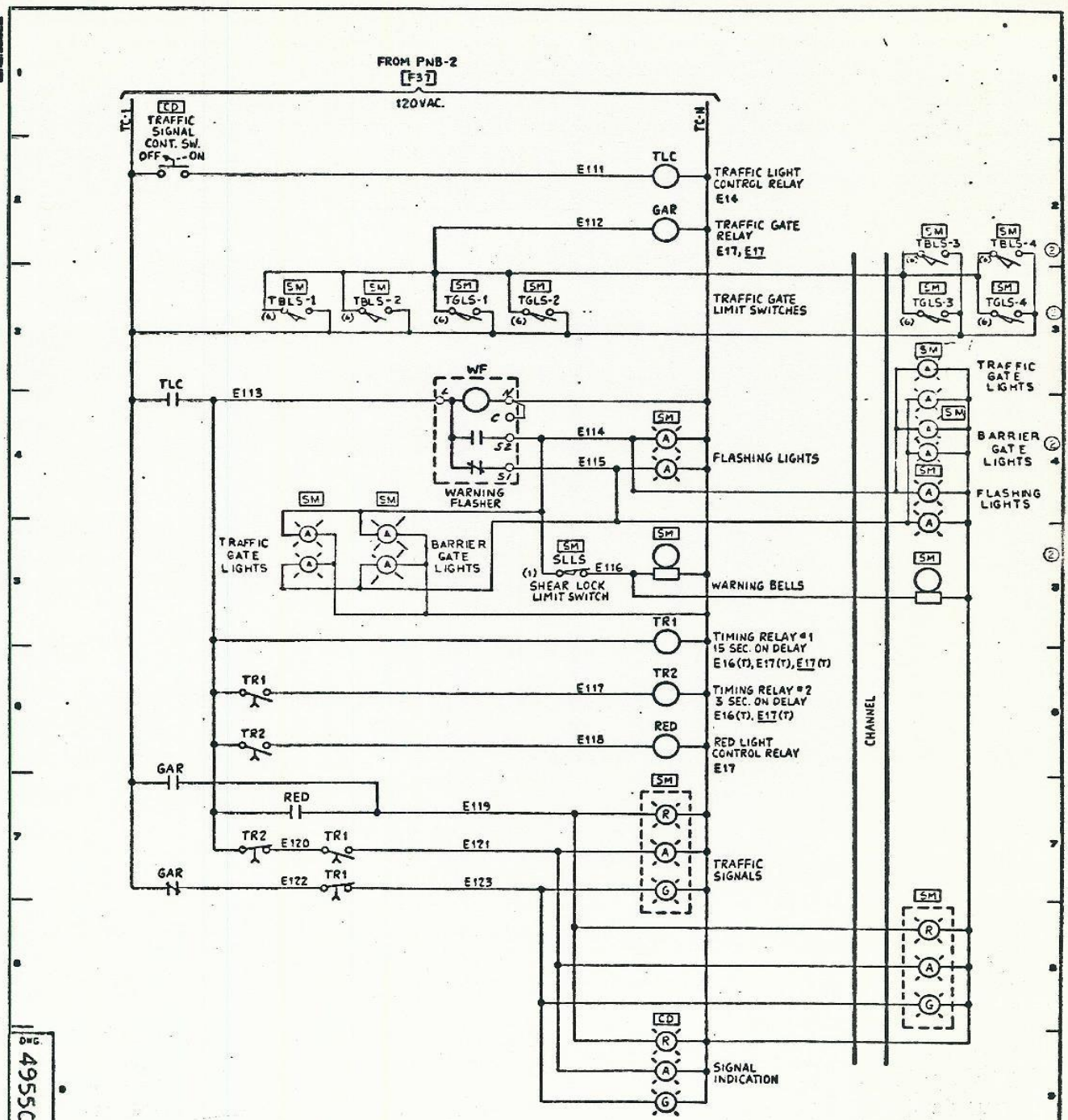
BARRIER GATES AND TRAFFIC GATES - POWER CIRCUITS - FAR SIDE

INDUSTRY SYSTEMS BUFFALO NEW YORK

SUB 1
CONT'D ON E1

DWG
4955C59

SHEET
D2



FOR LIMIT SWITCH DEVELOPMENTS SEE SH. 3



WESTINGHOUSE ELECTRIC CORPORATION

INDUSTRY SYSTEMS BUFFALO NEW YORK

4955C59

E11

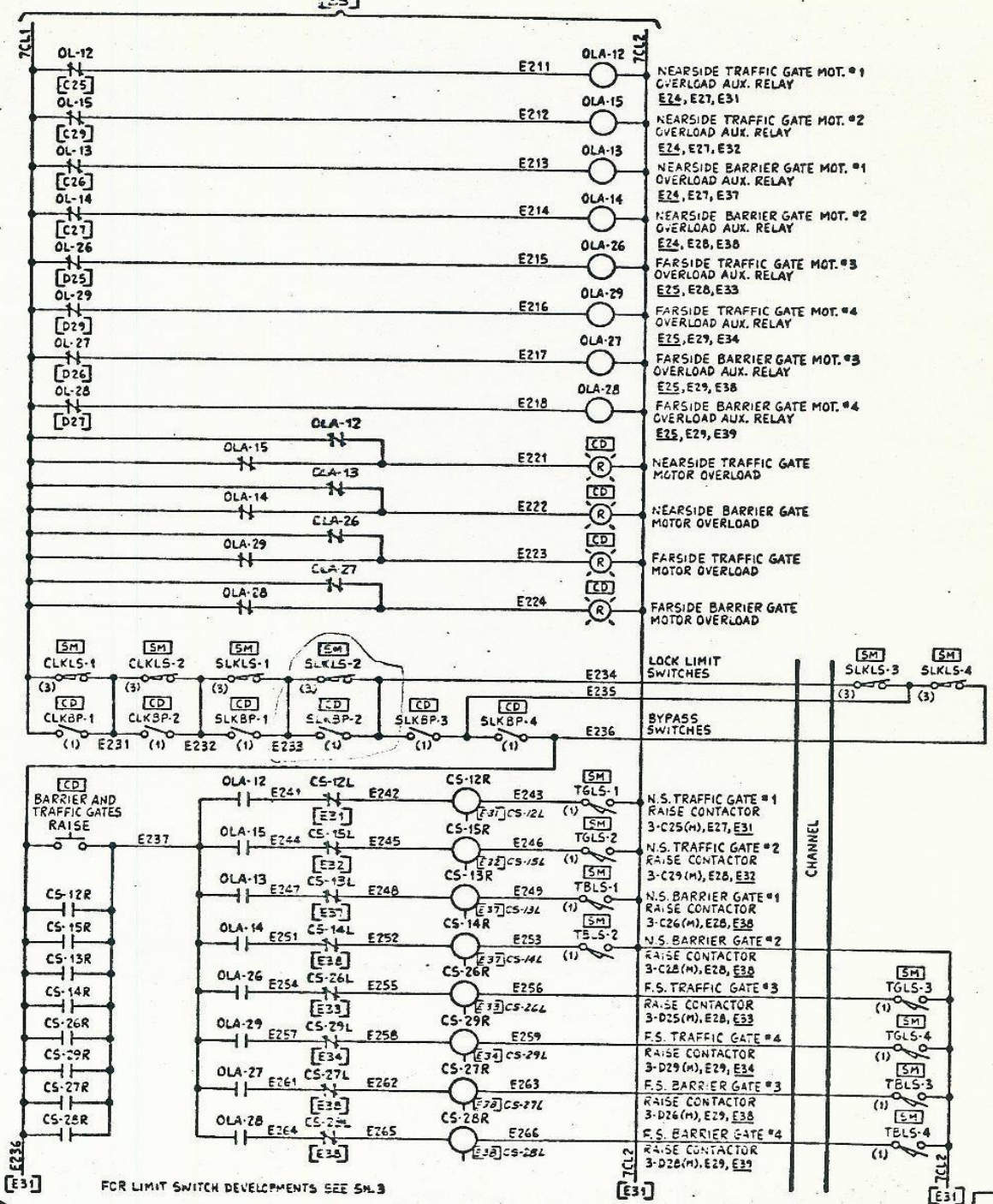
TRAFFIC CONTROL CIRCUIT

SUB 2
CONT'D ON E2

DWG 4955C59

SHEET E1

240V. CONTROL POWER



4955C59



WESTINGHOUSE ELECTRIC CORPORATION

BARRIER AND TRAFFIC GATE CONTROL CIRCUITS

INDUSTRY SYSTEMS BUFFALO NEW YORK

SUB 2

DWG

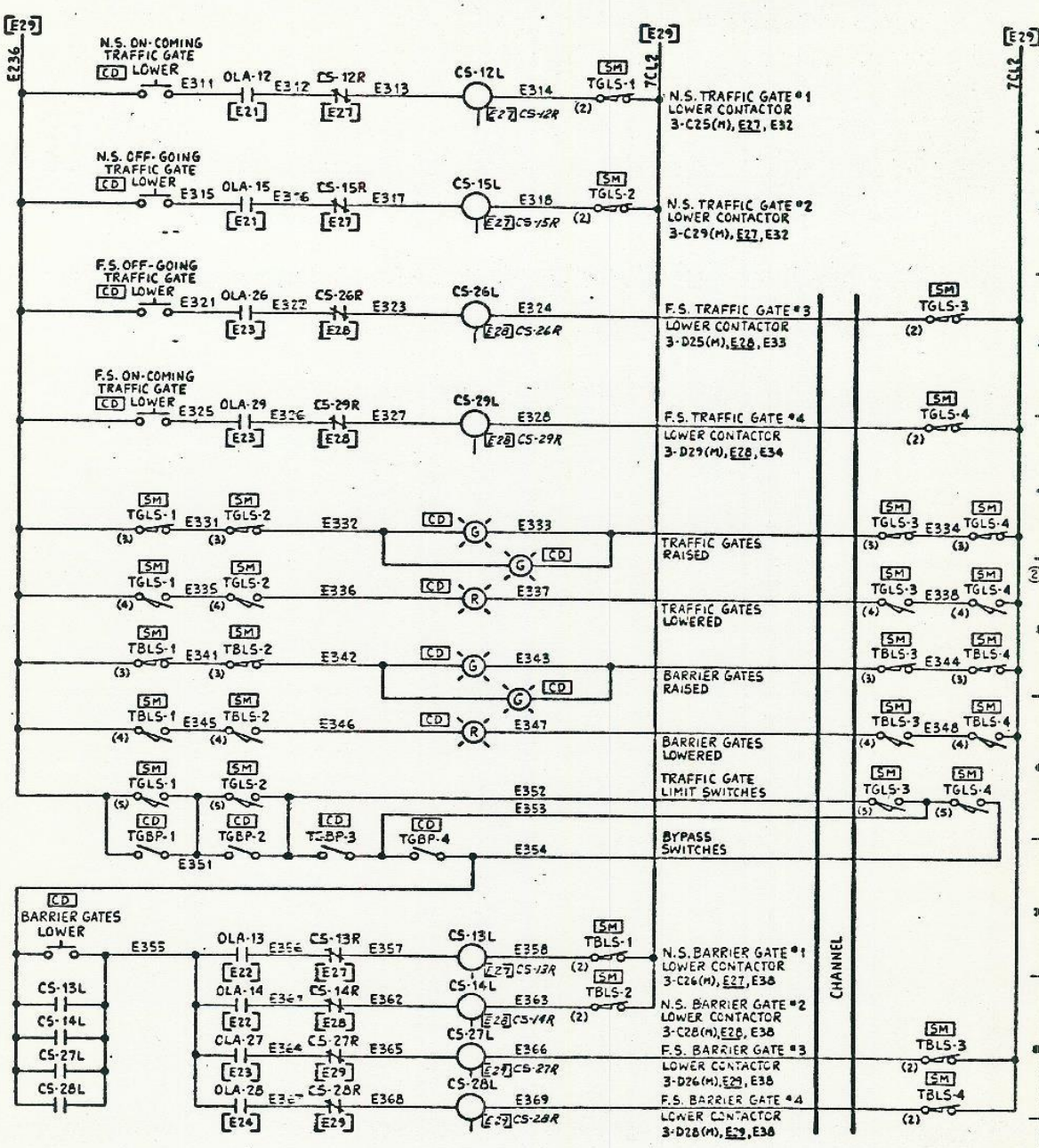
SHEET

CONT'D ON E3

4955C59

E2

FOR LIMIT SWITCH DEVELOPMENTS SEE SM.3



FOR LIMIT SWITCH DEVELOPMENTS SEE SM. 3

Dwg. 4955C59
 SHEET E3



WESTINGHOUSE ELECTRIC CORPORATION

INDUSTRY SYSTEMS BUFFALO, NEW YORK

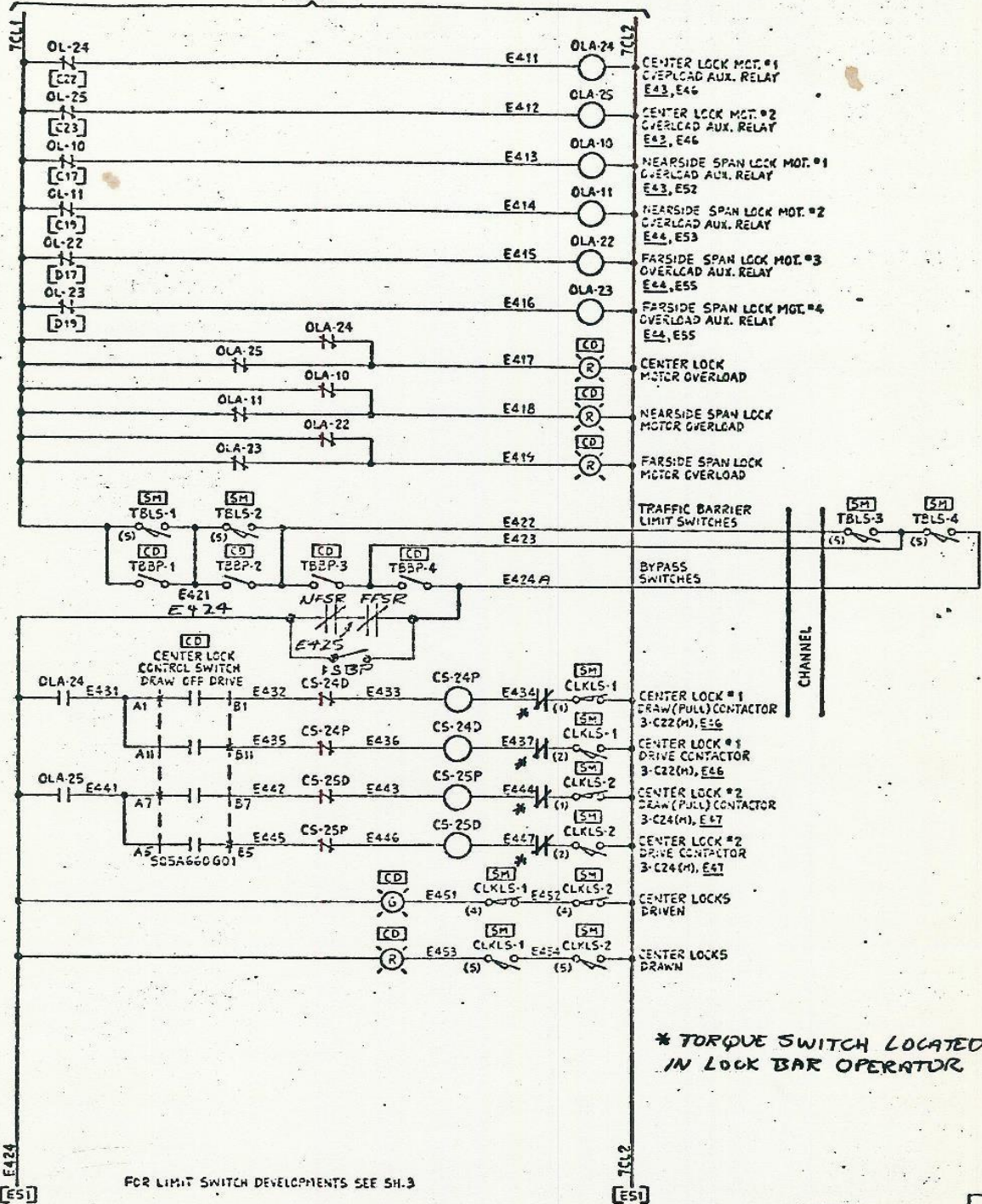
BARRIER AND TRAFFIC GATE CONTROL CIRCUITS

SUB 3
 CONT'D ON E4

Dwg. 4955C59

SHEET E3

240V. CONTROL POWER
[26]



* TORQUE SWITCH LOCATED IN LOCK BAR OPERATOR

4955C59



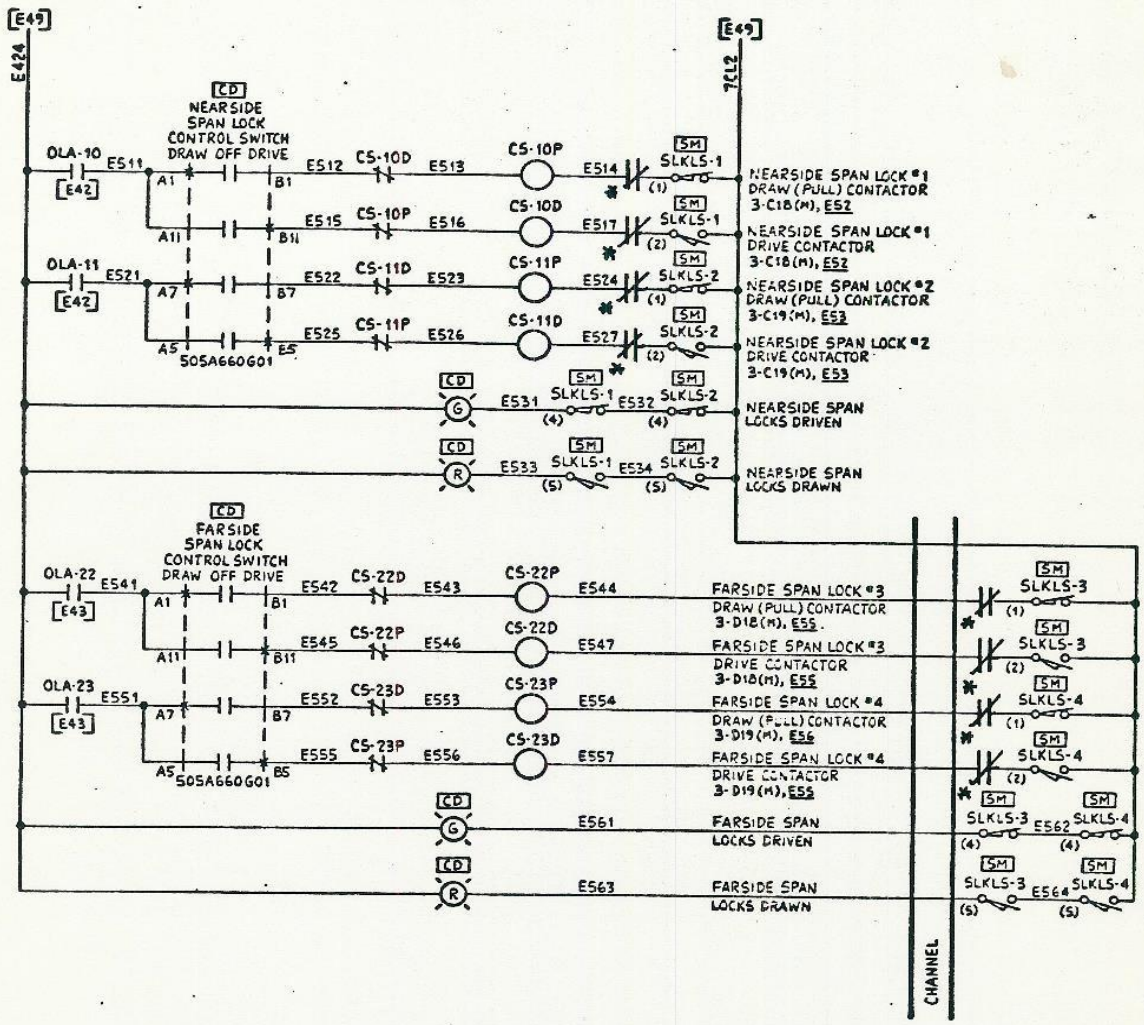
WESTINGHOUSE ELECTRIC CORPORATION

INDUSTRY SYSTEMS BUFFALO, N. Y.

SPAN LOCK AND CENTER LOCK CONTROL CIRCUIT

SUS 12	DWG	SHEET
CONT'D ON E5	4955C59	E4

FOR LIMIT SWITCH DEVELOPMENTS SEE SH.3



* TORQUE SWITCH LOCATED IN LOCK BAR OPERATOR

Dwg. 4955C59

FOR LIMIT SWITCH DEVELOPMENTS SEE SH. 3



WESTINGHOUSE ELECTRIC CORPORATION

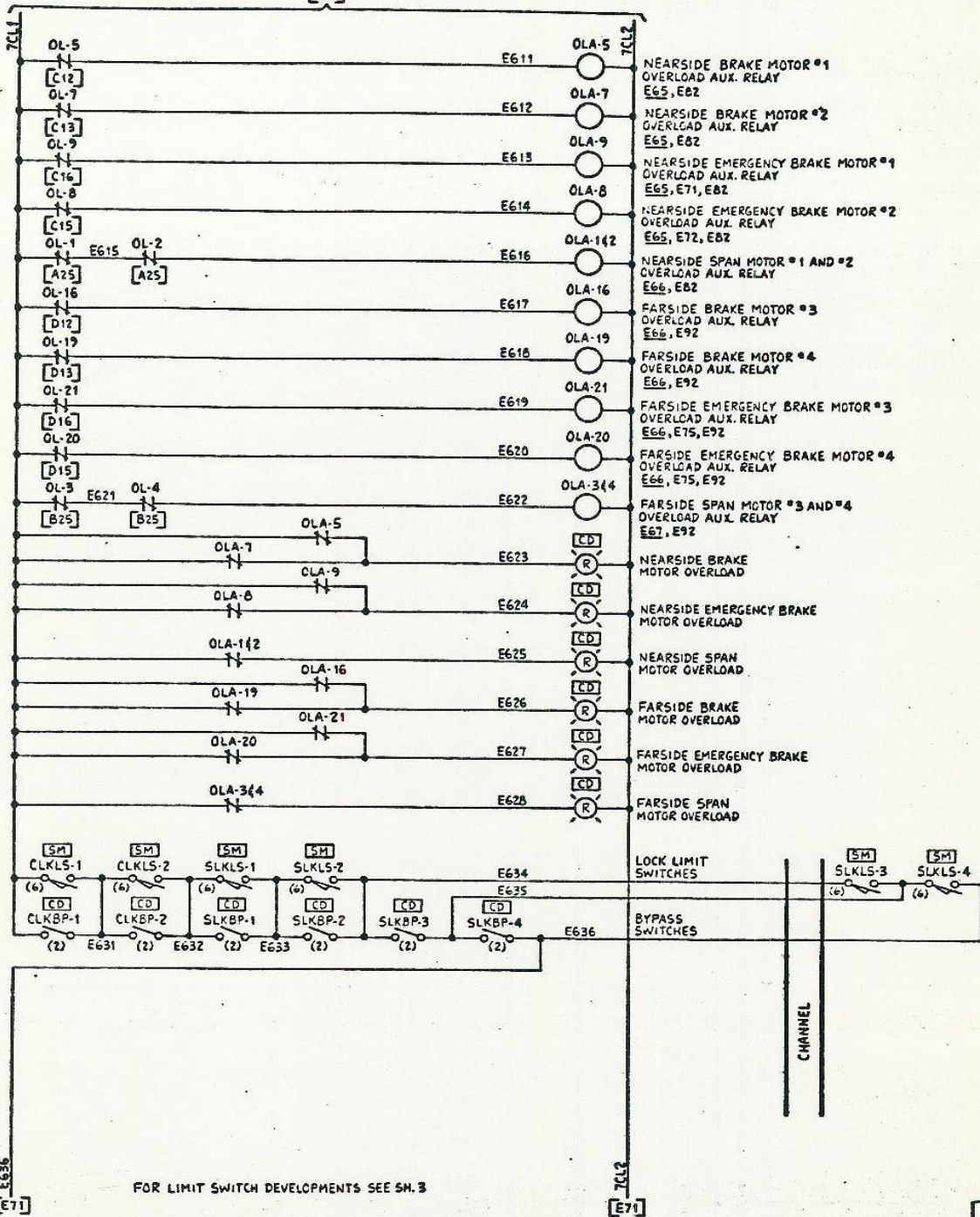
INDUSTRY SYSTEMS BUFFALO NEW YORK

SHEET ES

SPAN LOCK CONTROL CIRCUIT

SUB 2	DWG	SHEET
CONT'D ON E6	4955C59	ES

240V. CONTROL POWER
[86]



4955C59
E6
SHEET



WESTINGHOUSE ELECTRIC CORPORATION

INDUSTRY SYSTEMS BUFFALO NEW YORK

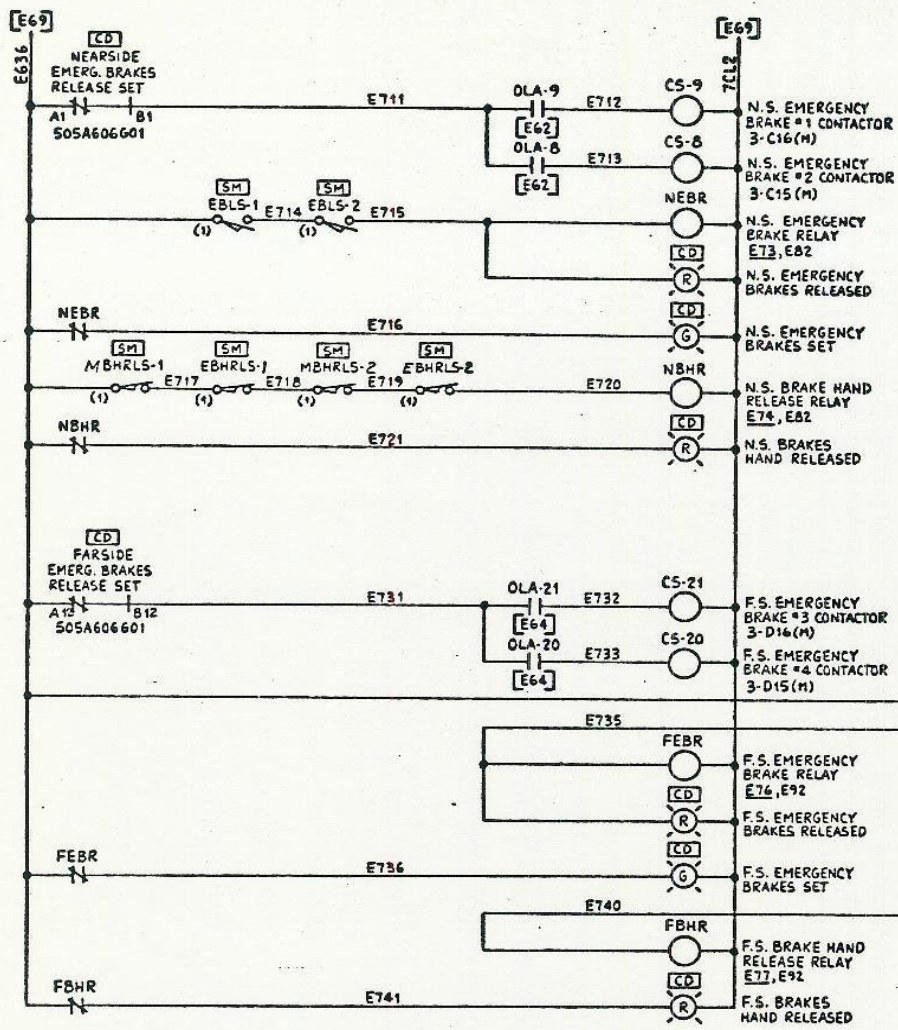
SPAN MOTOR AND BRAKE OVERLOAD CONTROL CKTS.

SUB 1
CONT'D ON E7

DWG
4955C59

SHEET
E6

FOR LIMIT SWITCH DEVELOPMENTS SEE SM. 3



4955C59

FOR LIMIT SWITCH DEVELOPMENTS SEE SH. 3



WESTINGHOUSE ELECTRIC CORPORATION

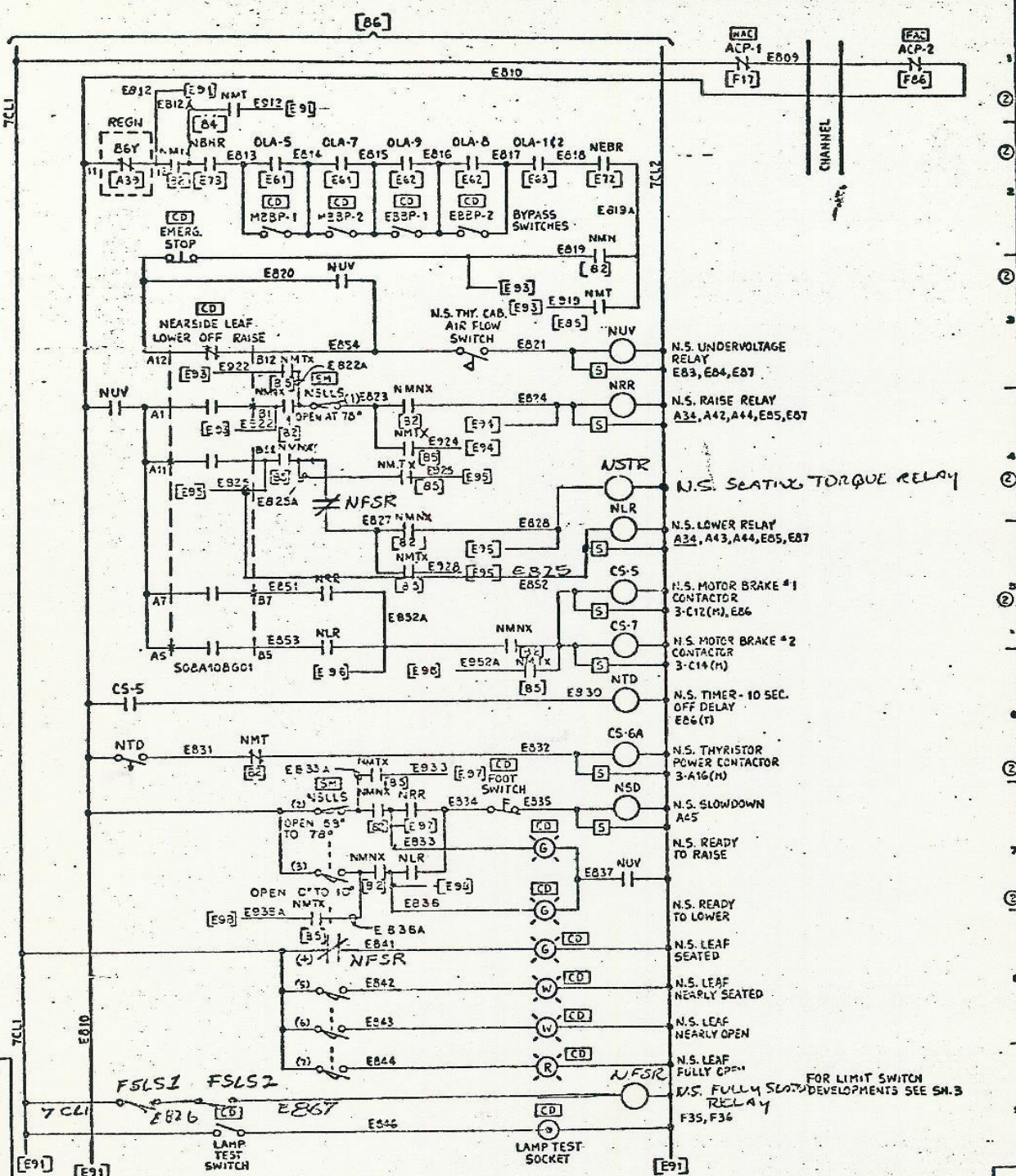
INDUSTRY SYSTEMS BUFFALO NEW YORK

EMERGENCY BRAKE CONTROL CIRCUITS

SUB #2
CONT'D. ON E8

DWG
4955C59

SHEET
E7



WESTINGHOUSE ELECTRIC CORPORATION

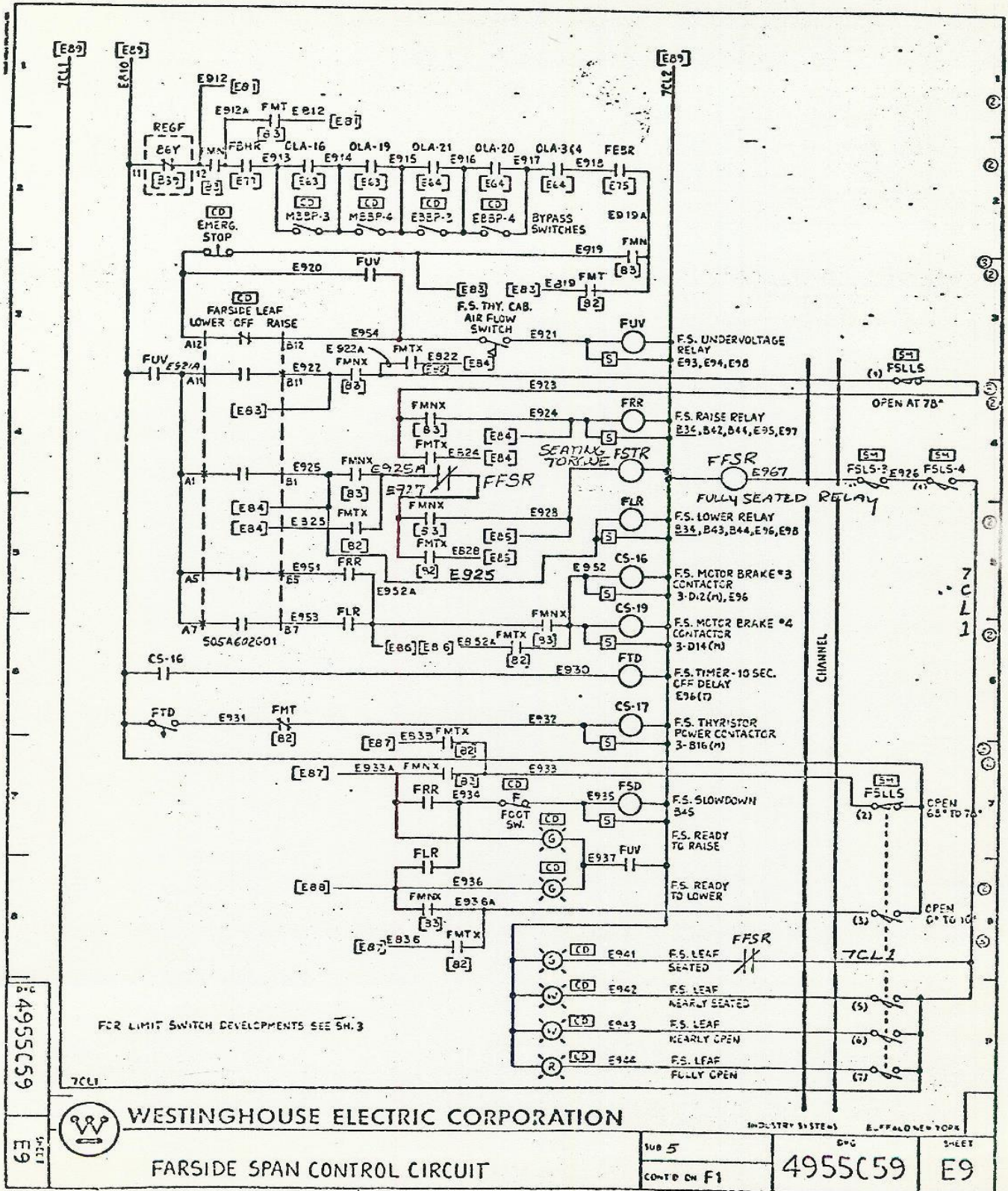
INDUSTRY SYSTEMS BUFFALO, NEW YORK

NEAR SIDE SPAN CONTROL CIRCUIT

SUB 2	DWG 4955C59	SHEET E8
CONTD ON E9		

Dwg 4955C59

SHEET E8



4955C59



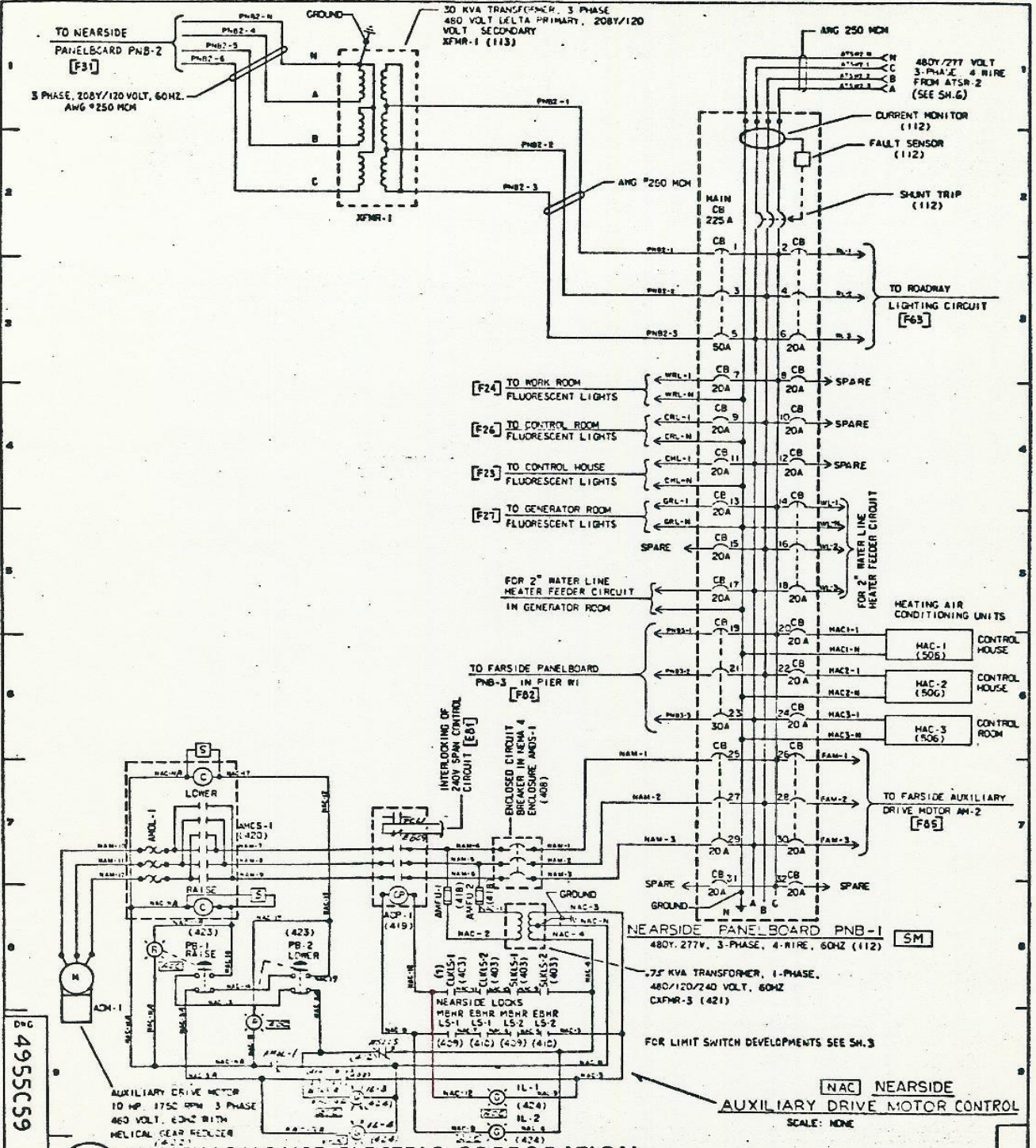
WESTINGHOUSE ELECTRIC CORPORATION

FARSIDE SPAN CONTROL CIRCUIT

SUB 5
CONT'D ON F1

4955C59

SHEET E9



4955C59

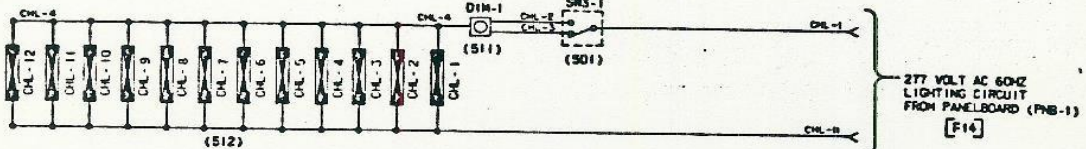


WESTINGHOUSE ELECTRIC CORPORATION

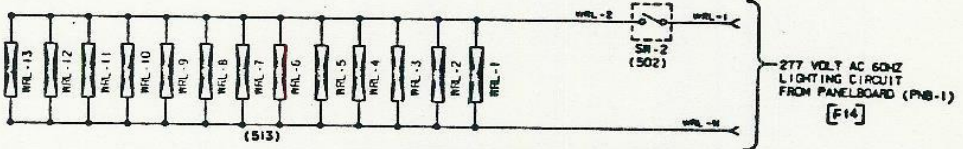
NEARSIDE PANELBOARD PNB-1 AND NEARSIDE AUXILIARY DRIVE MOTOR CONTROL

INDUSTRY SYSTEMS BUFFALO NEW YORK

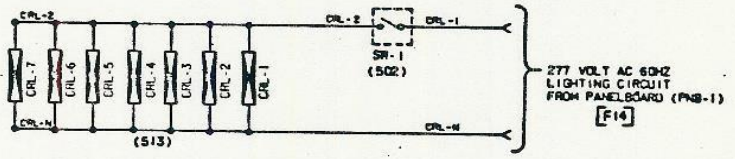
SUB #2	DWG	SHEET
CONT'D ON F2	4955C59	F1



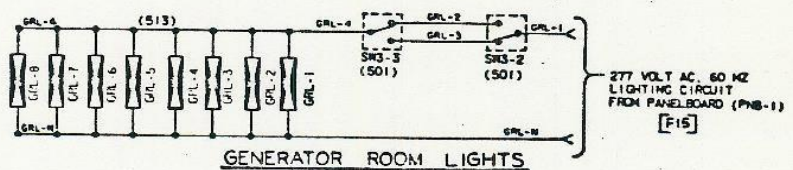
CONTROL HOUSE LIGHTS



WORK ROOM LIGHTS



CONTROL ROOM LIGHTS



GENERATOR ROOM LIGHTS

SM

4955C59



WESTINGHOUSE ELECTRIC CORPORATION

CONTROL HOUSE, WORK ROOM, CONTROL ROOM AND GENERATOR ROOM LIGHTING CIRCUITS

INDUSTRY SYSTEMS BUFFALO NEW YORK

SUB 1

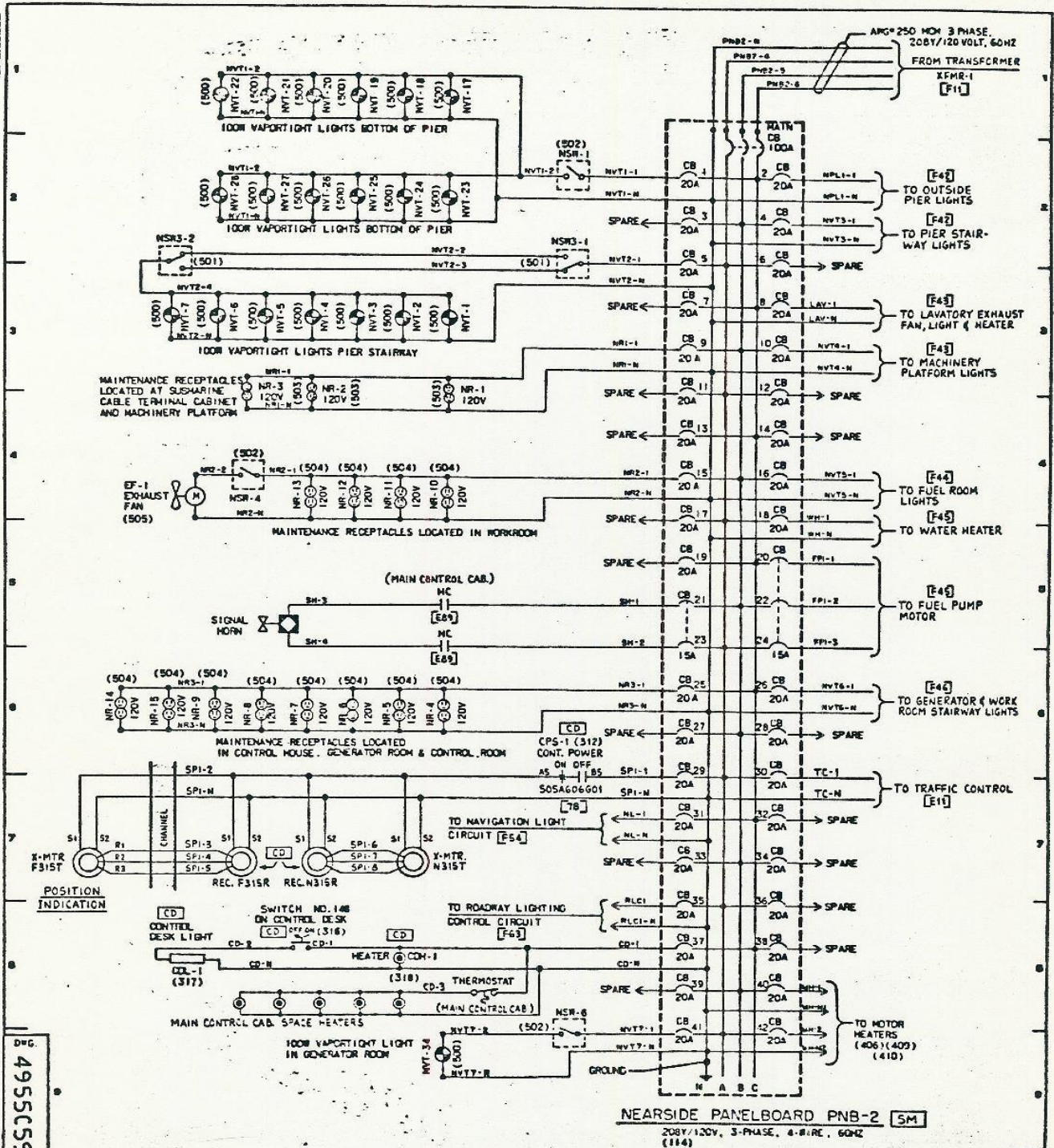
CONT'D ON F3

DWG

4955C59

SHEET

F2



4955C59

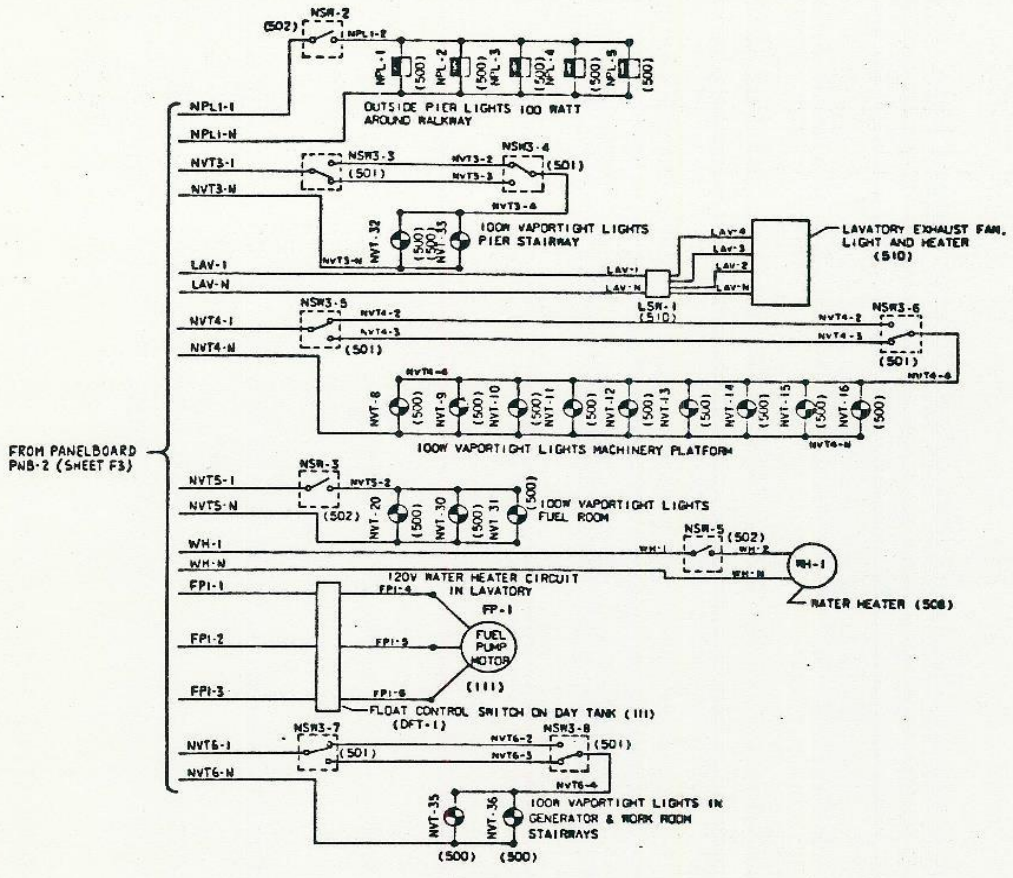


WESTINGHOUSE ELECTRIC CORPORATION

NEARSIDE PANELBOARD PNB-2 CIRCUITS

INDUSTRY SYSTEMS BUFFALO NEW YORK

SUB 1 D-6 SHEET
CONT'D ON F4 4955C59 F3



SM

4955C59



WESTINGHOUSE ELECTRIC CORPORATION

INDUSTRY SYSTEMS BUFFALO, NEW YORK

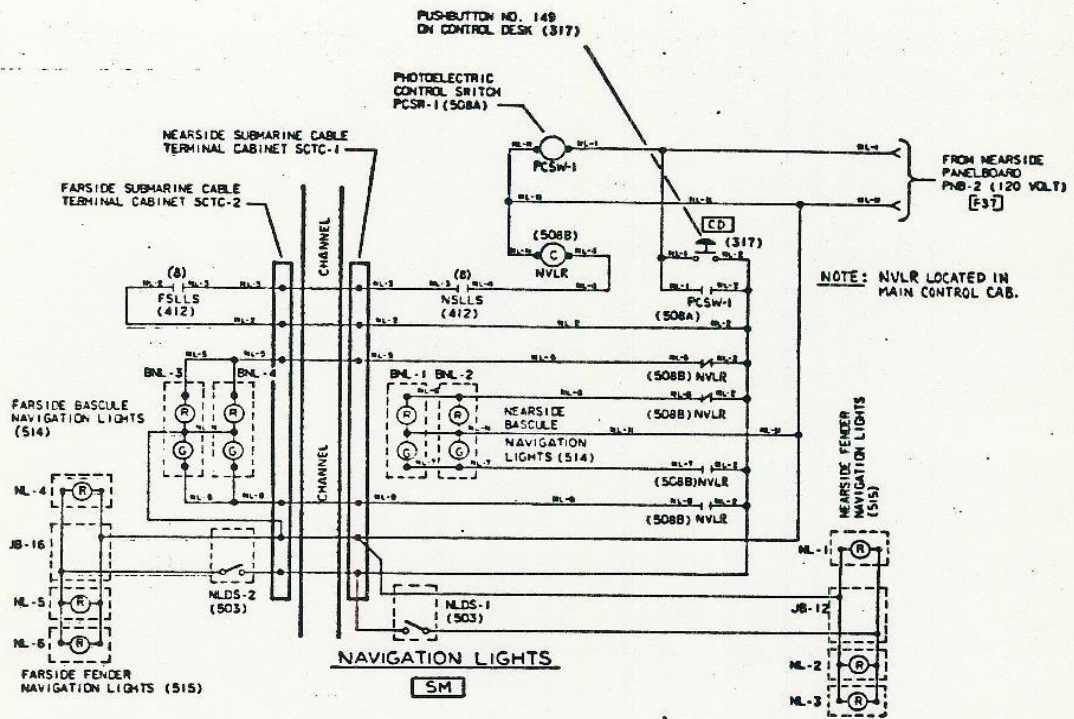
SHEET F4

NEARSIDE PANELBOARD PNB-2 CIRCUITS

SUB 1
CONT'D ON F5

DWG 4955C59

SHEET F4



NOTE: NVLR LOCATED IN MAIN CONTROL CAB.

FOR LIMIT SWITCH DEVELOPMENTS SEE SH.3

4955C59



WESTINGHOUSE ELECTRIC CORPORATION

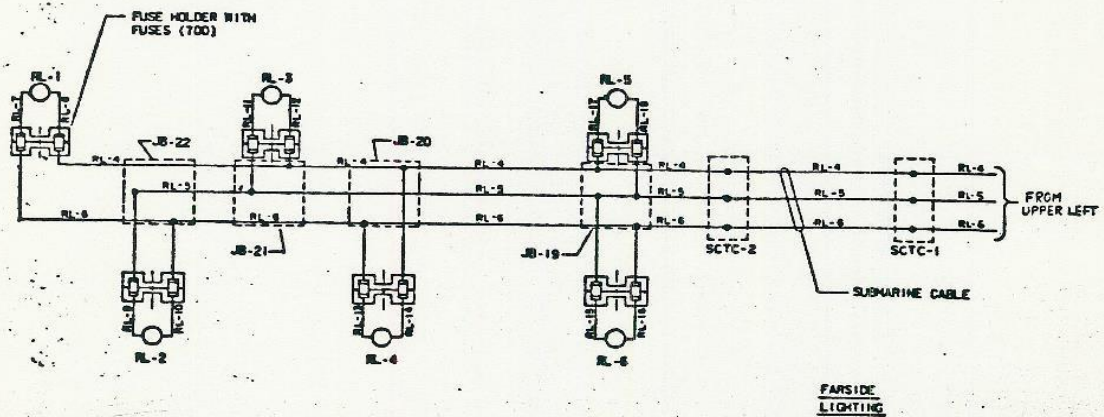
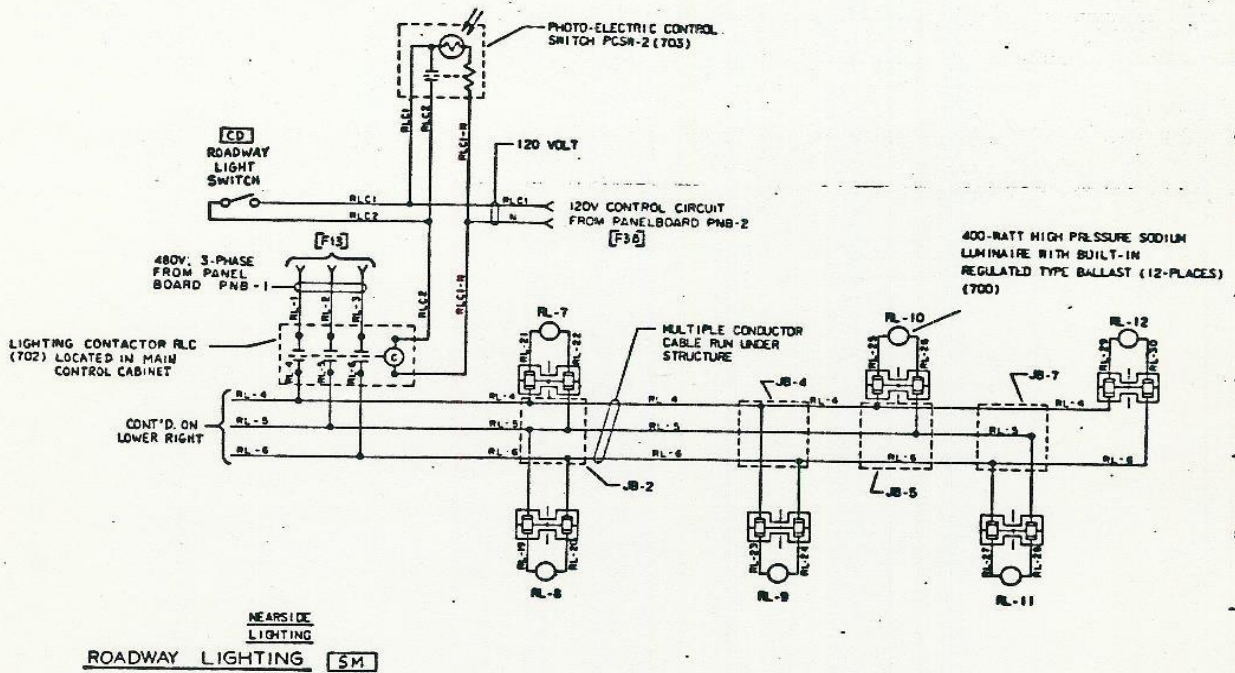
INDUSTRY SYSTEMS BUFFALO NEW YORK

NAVIGATION LIGHT CIRCUITS

SUB 1
CONT'D ON F6

DWG 4955C59

SHEET F5



4955C59

SHEET F6



WESTINGHOUSE ELECTRIC CORPORATION

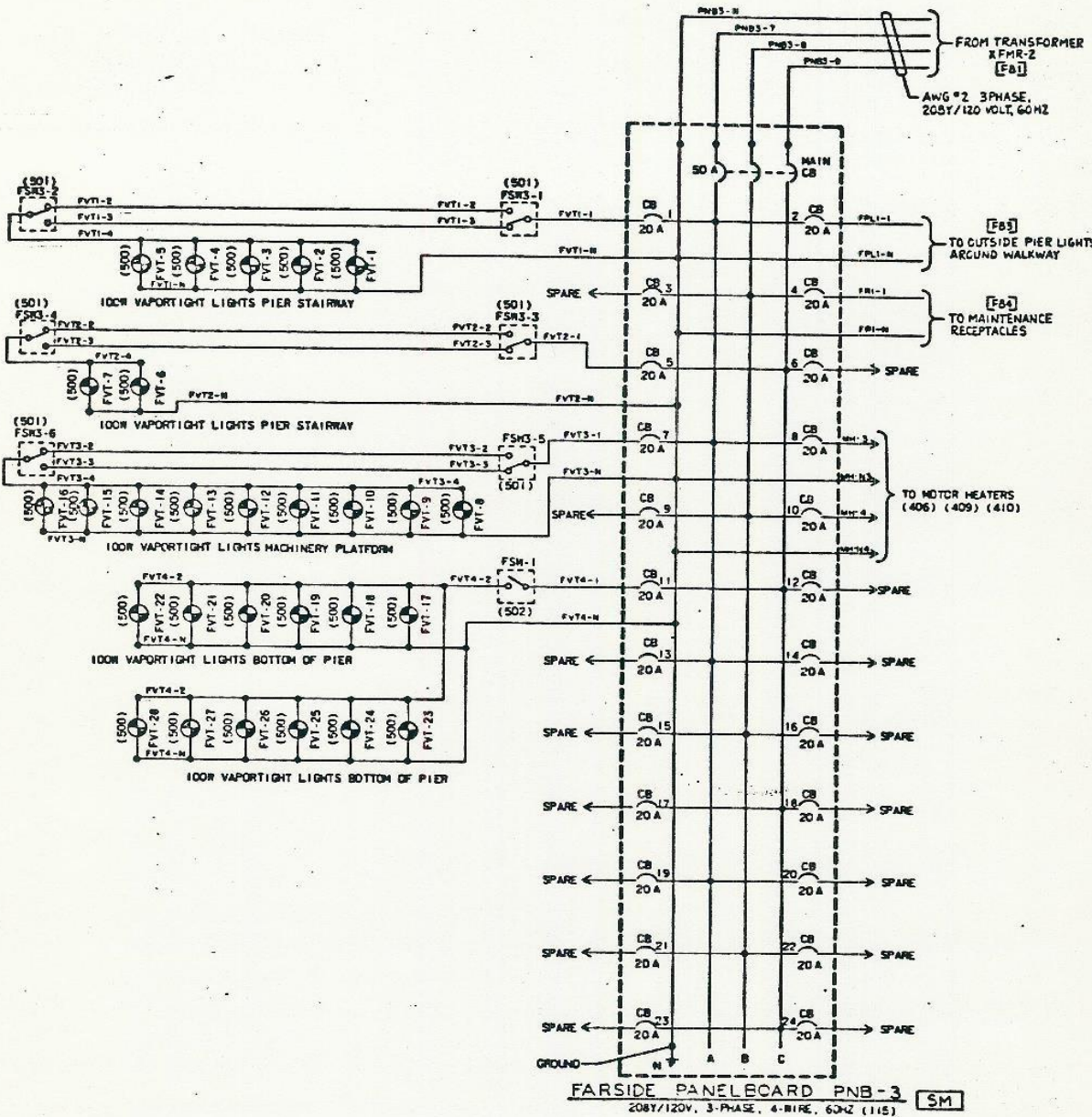
INDUSTRY SYSTEMS BUFFALO NEW YORK

ROADWAY LIGHTING CIRCUITS

SUB 1
CONT'D ON F7

DWG 4955C59

SHEET F6



DWG
4955C59
SHEET
F7



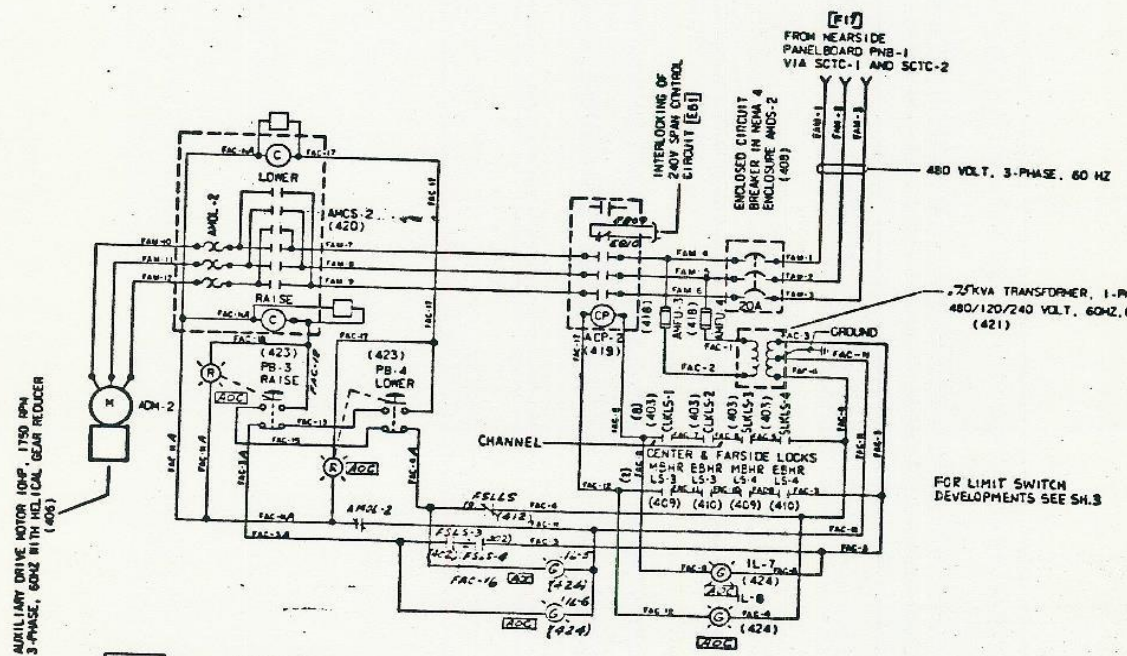
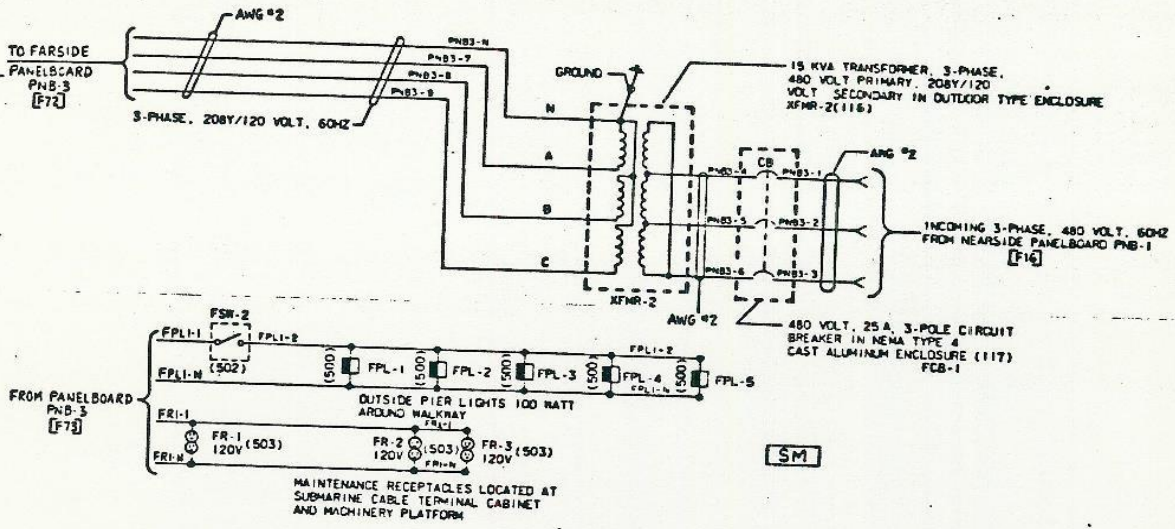
WESTINGHOUSE ELECTRIC CORPORATION

FARSIDE PANELBOARD PNB-3 CIRCUITS

INDUSTRY SYSTEMS BUFFALO NEW YORK

SUB 1	DWG	SHEET
CONT'D ON F8	4955C59	F7

FARSIDE PANELBOARD PNB-3
208Y/120V, 3-PHASE, 4-WIRE, 60-HZ (115) SM



FAC FARSIDE
AUXILIARY DRIVE MOTOR CONTROL

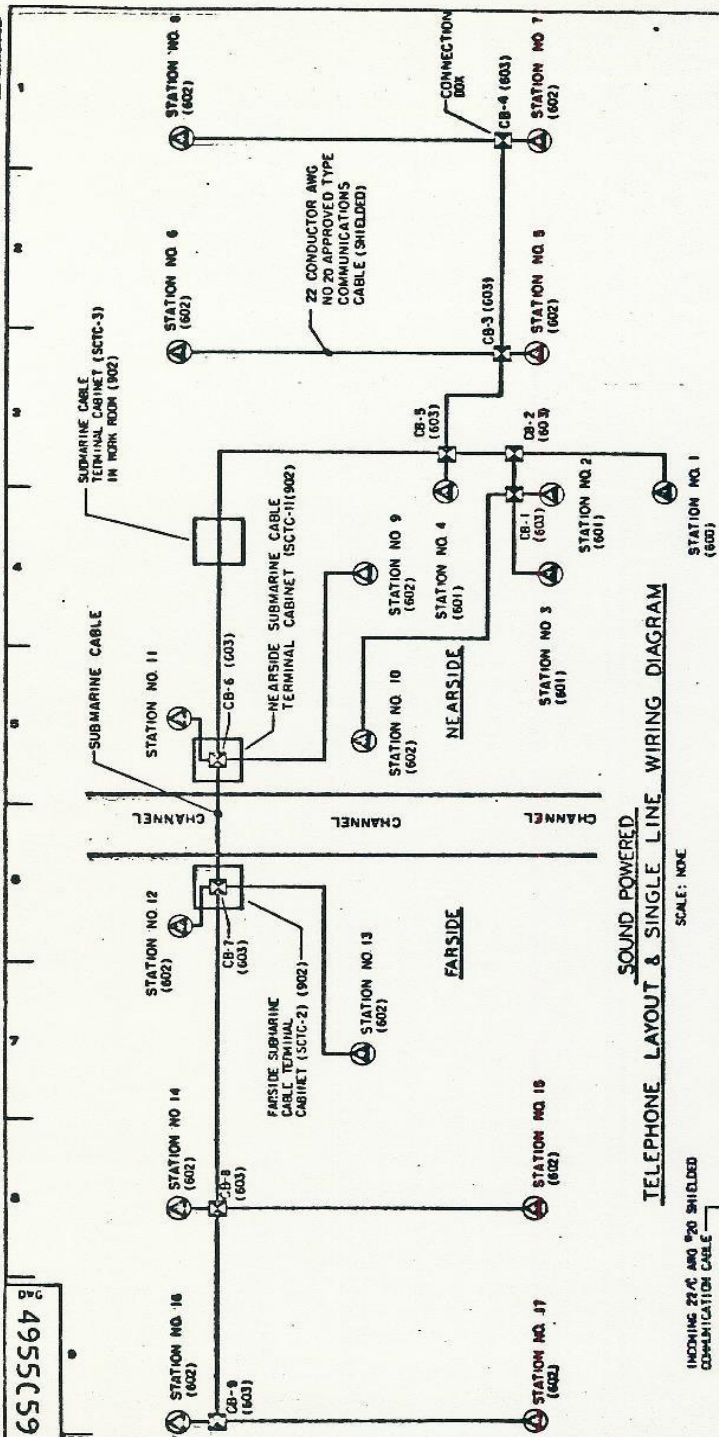
WESTINGHOUSE ELECTRIC CORPORATION

**FARSIDE PANELBOARD PNB-3 CIRCUITS AND
 FARSIDE AUXILIARY DRIVE MOTOR CONTROL**

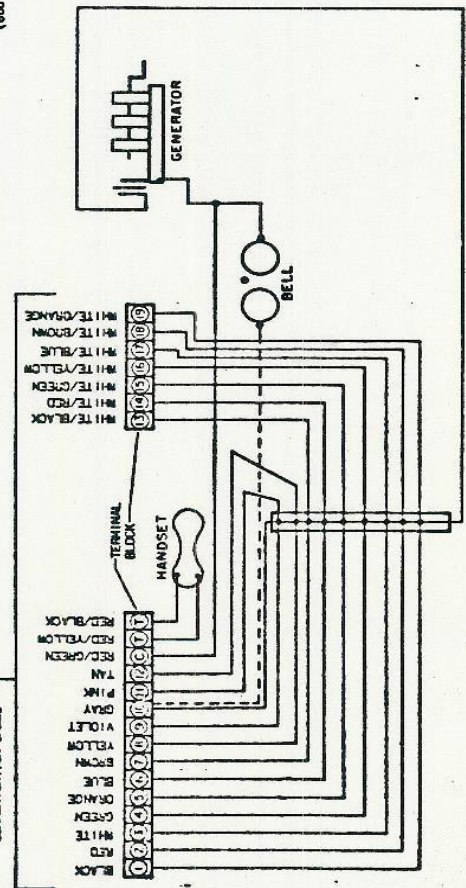
INDUSTRY SYSTEMS BUFFALO, NEW YORK

SUB X2	DWG	SHEET
CONT'D ON F9	4955C59	F8

Dwg
4955C59
 F8
 SHEET



TELEPHONE LAYOUT & SINGLE LINE WIRING DIAGRAM
 SOUND POWERED
 SCALE: NDC



TYPICAL WIRING DIAGRAM AT PHONE STATION
 (600, 601, & 602)

STA NO	LOCATION
1	CONTROL HOUSE
2	CONTROL ROOM
3	GENERATOR ROOM
4	WORK ROOM
5	NEAR SIDE OFF-GOING TRAFFIC BARRIER GATE
6	NEAR SIDE ON-COMING TRAFFIC BARRIER GATE
7	NEAR SIDE OFF-GOING TRAFFIC GATE
8	NEAR SIDE ON-COMING TRAFFIC GATE
9	NEAR SIDE MACHINERY PLATFORM
10	CENTER LOCKS
11	NEAR SIDE SUBMARINE CABLE TERMINAL CABINET
12	FAR SIDE SUBMARINE CABLE TERMINAL CABINET
13	FAR SIDE MACHINERY PLATFORM
14	FAR SIDE OFF-GOING TRAFFIC BARRIER GATE
15	FAR SIDE ON-COMING TRAFFIC BARRIER GATE
16	FAR SIDE OFF-GOING TRAFFIC GATE
17	FAR SIDE ON-COMING TRAFFIC GATE
18	
19	

4955C59
 SHEET
 F9



WESTINGHOUSE ELECTRIC CORPORATION

TELEPHONE CIRCUITS

INDUSTRY SYSTEMS BUFFALO NEW YORK

SUB 1	DWG	SHEET
CONT'D ON G1	4955C59	F9