

**This electronic collection of documents is provided  
for the convenience of the user  
and is Not a Certified Document –**

**The documents contained herein were originally issued  
and sealed by the individuals whose names and license  
numbers appear on each page, on the dates appearing  
with their signature on that page.**

**This file or an individual page  
shall not be considered a certified document.**

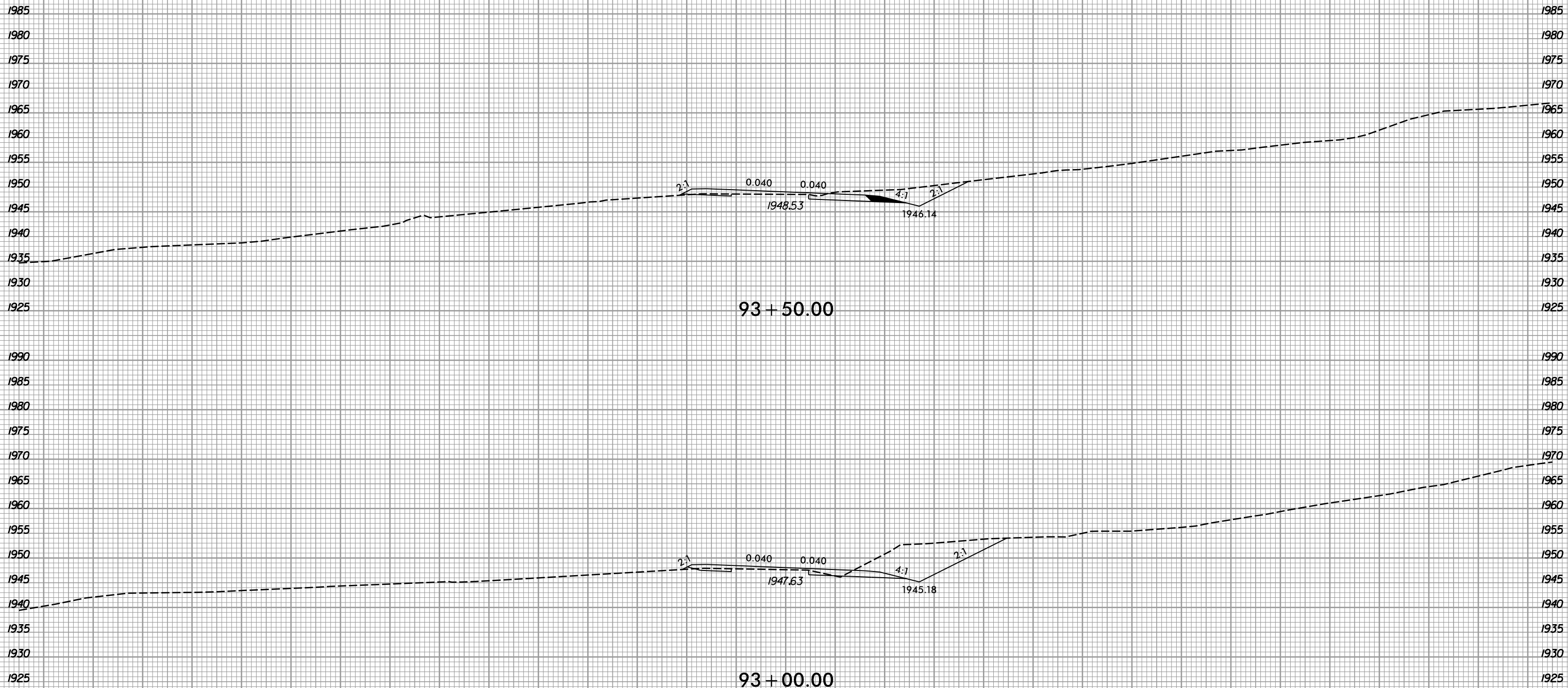
6/23/16



PROJ. REFERENCE NO.  
R-5742

SHEET NO.  
X-45

150 140 130 120 110 100 90 80 70 60 50 40 30 20 10 0 10 20 30 40 50 60 70 80 90 100 110 120 130 140 150



150 140 130 120 110 100 90 80 70 60 50 40 30 20 10 0 10 20 30 40 50 60 70 80 90 100 110 120 130 140 150

I2/14/2018  
R:\Roadway\Xsc\18-5742\_Rdy\_L\_xpl.dgn  
gpr/ice

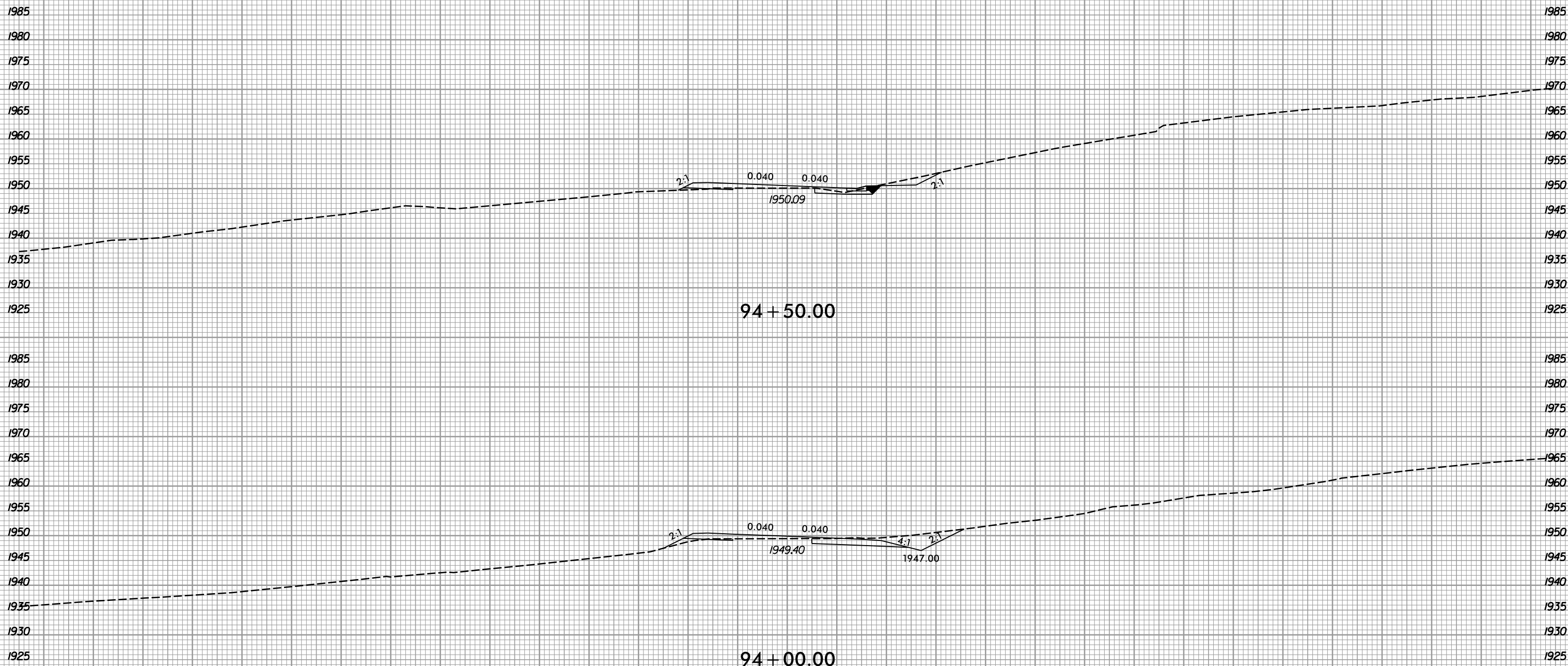
6/23/16



PROJ. REFERENCE NO.  
R-5742

SHEET NO.  
X-46

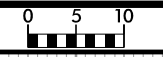
150 140 130 120 110 100 90 80 70 60 50 40 30 20 10 0 10 20 30 40 50 60 70 80 90 100 110 120 130 140 150



I:\14\2018  
R:\Roadway\Xsc\14-R-5742-Rdy-L-xpl.dgn  
gpr/ice

150 140 130 120 110 100 90 80 70 60 50 40 30 20 10 0 10 20 30 40 50 60 70 80 90 100 110 120 130 140 150

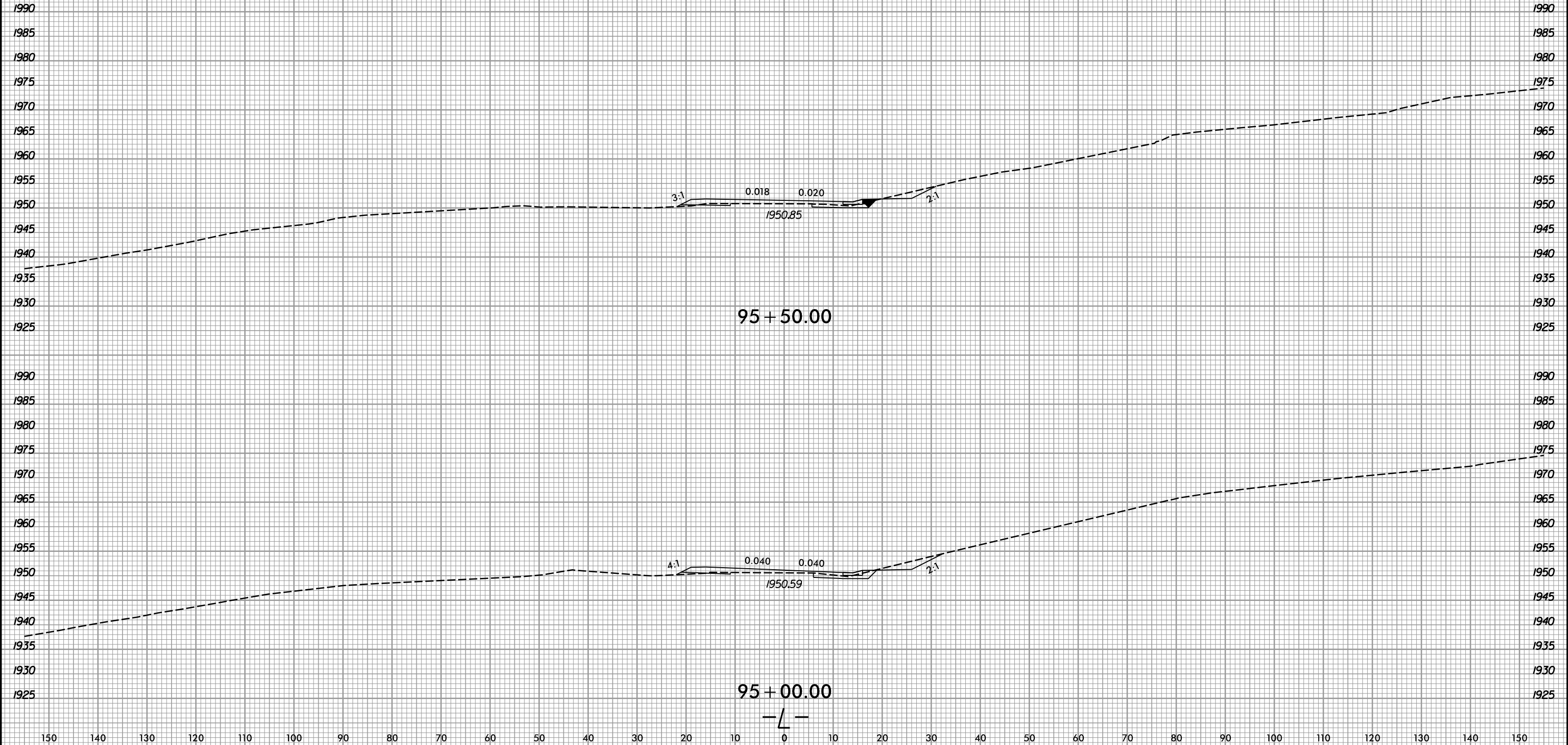
6/23/16



PROJ. REFERENCE NO.  
R-5742

SHEET NO.  
X-47

150 140 130 120 110 100 90 80 70 60 50 40 30 20 10 0 10 20 30 40 50 60 70 80 90 100 110 120 130 140 150



I:\14\2018  
R:\Roadway\Xsc\14-R-5742-Rdy-L\_xpl.dgn  
gpr/ice

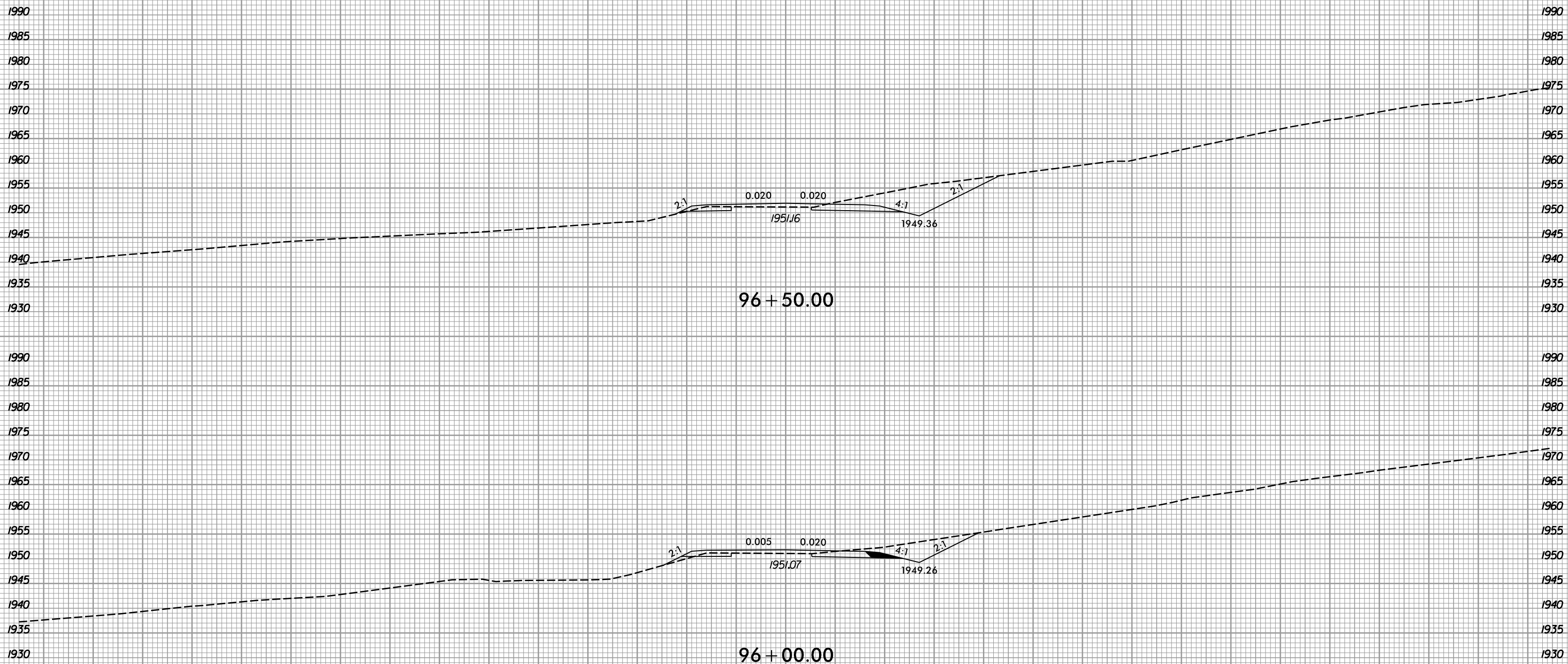
6/23/16



PROJ. REFERENCE NO.  
R-5742

SHEET NO.  
X-48

150 140 130 120 110 100 90 80 70 60 50 40 30 20 10 0 10 20 30 40 50 60 70 80 90 100 110 120 130 140 150



—L—

150 140 130 120 110 100 90 80 70 60 50 40 30 20 10 0 10 20 30 40 50 60 70 80 90 100 110 120 130 140 150

I:\14\2018  
R:\Roadway\Xsc\18-5742-Rdy\_L\_xpl.dgn  
gpr/ice

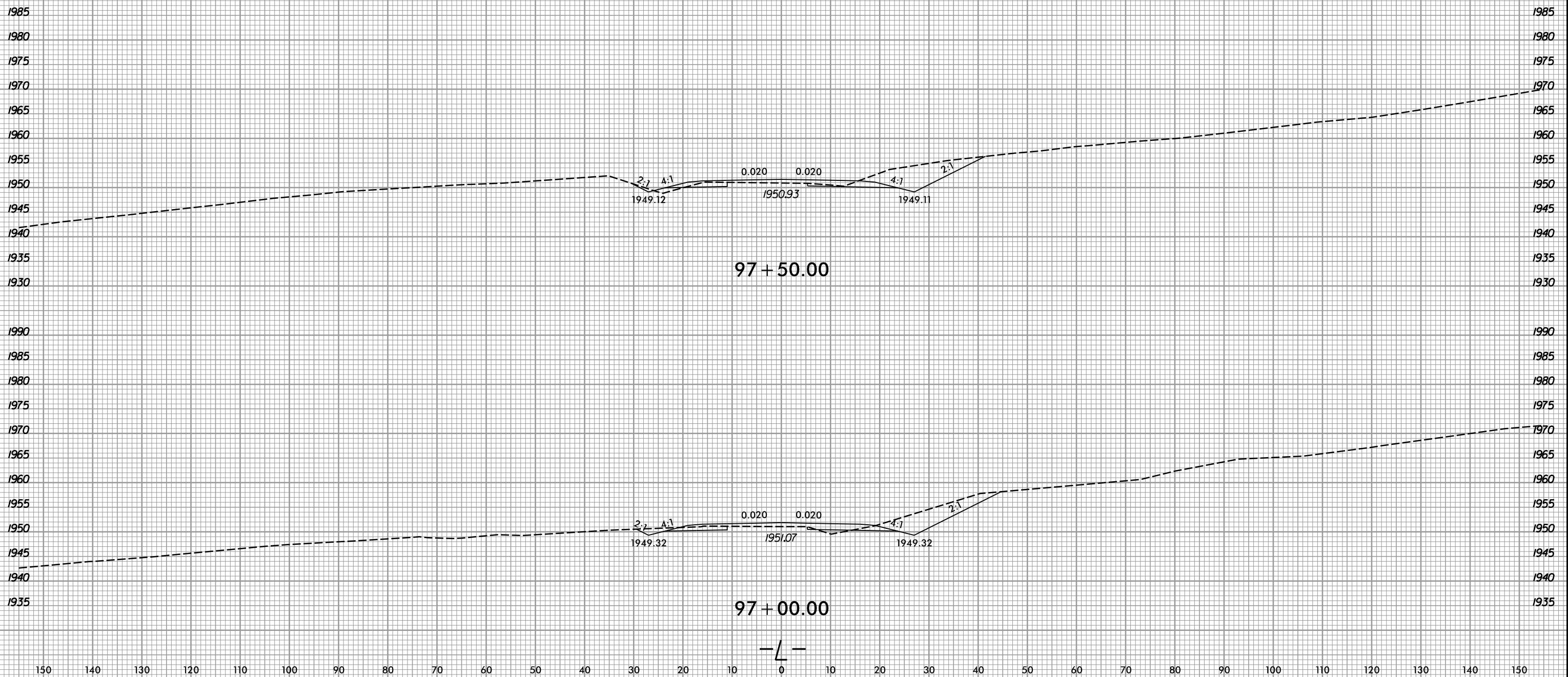
6/23/16



PROJ. REFERENCE NO.  
R-5742

SHEET NO.  
X-49

150 140 130 120 110 100 90 80 70 60 50 40 30 20 10 0 10 20 30 40 50 60 70 80 90 100 110 120 130 140 150



I:\14\2018  
R:\Roadway\Xsc\18-5742.Rdy.L\_xpl.dgn  
gprlce

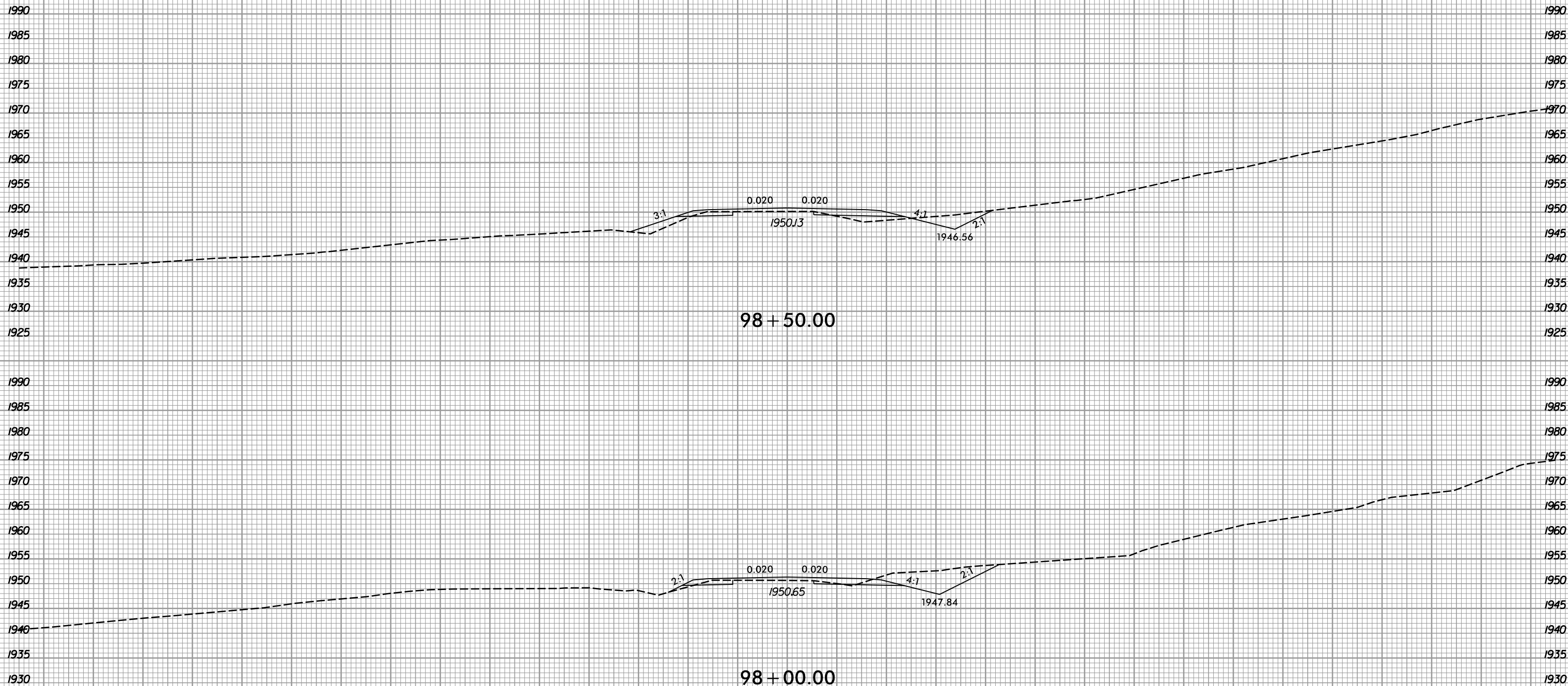
6/23/16



PROJ. REFERENCE NO.  
R-5742

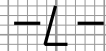
SHEET NO.  
X-50

150 140 130 120 110 100 90 80 70 60 50 40 30 20 10 0 10 20 30 40 50 60 70 80 90 100 110 120 130 140 150



150 140 130 120 110 100 90 80 70 60 50 40 30 20 10 0 10 20 30 40 50 60 70 80 90 100 110 120 130 140 150

I:\14\2018  
R:\Roadway\Xsc\18-5742.Rdy.L\_xpl.dgn  
gpr/ice



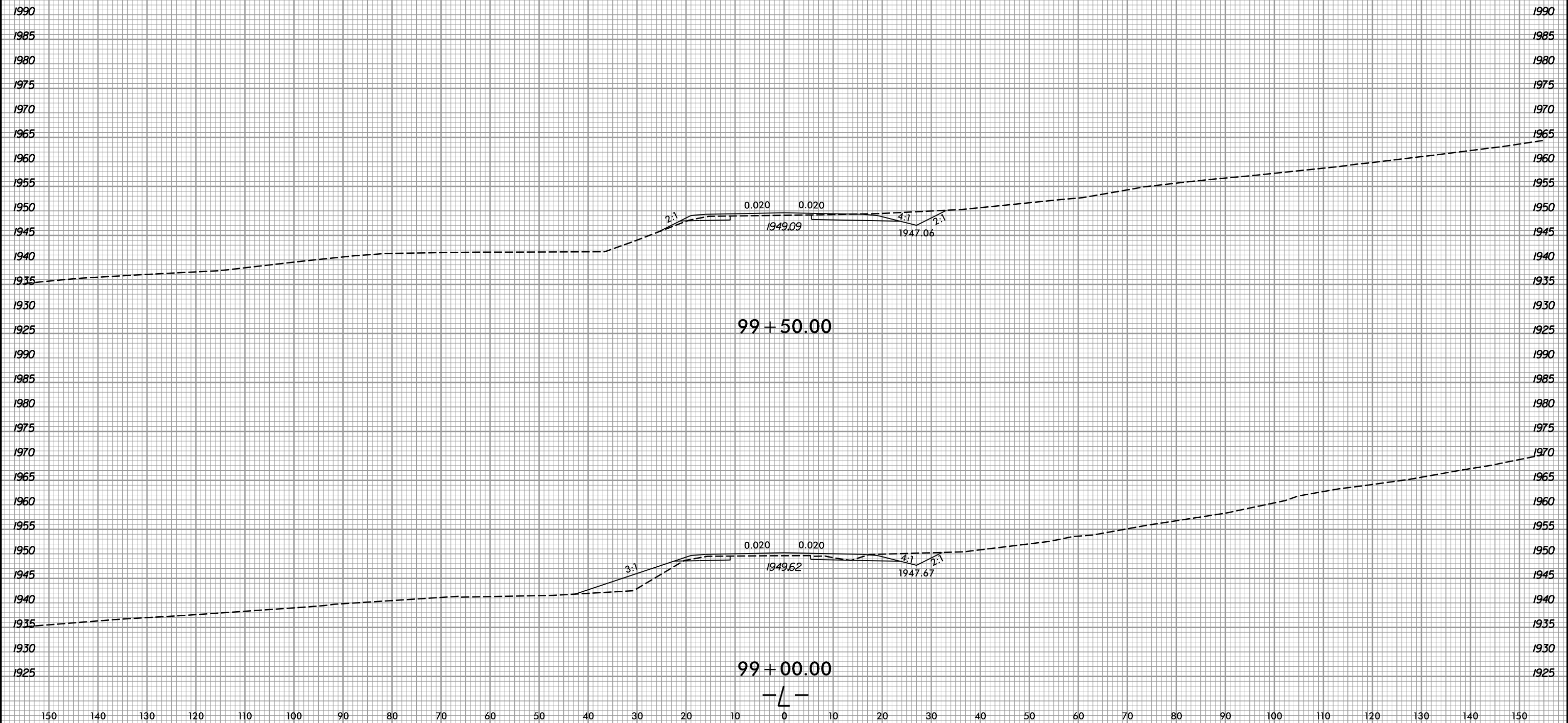
6/23/16



PROJ. REFERENCE NO.  
R-5742

SHEET NO.  
X-51

150 140 130 120 110 100 90 80 70 60 50 40 30 20 10 0 10 20 30 40 50 60 70 80 90 100 110 120 130 140 150



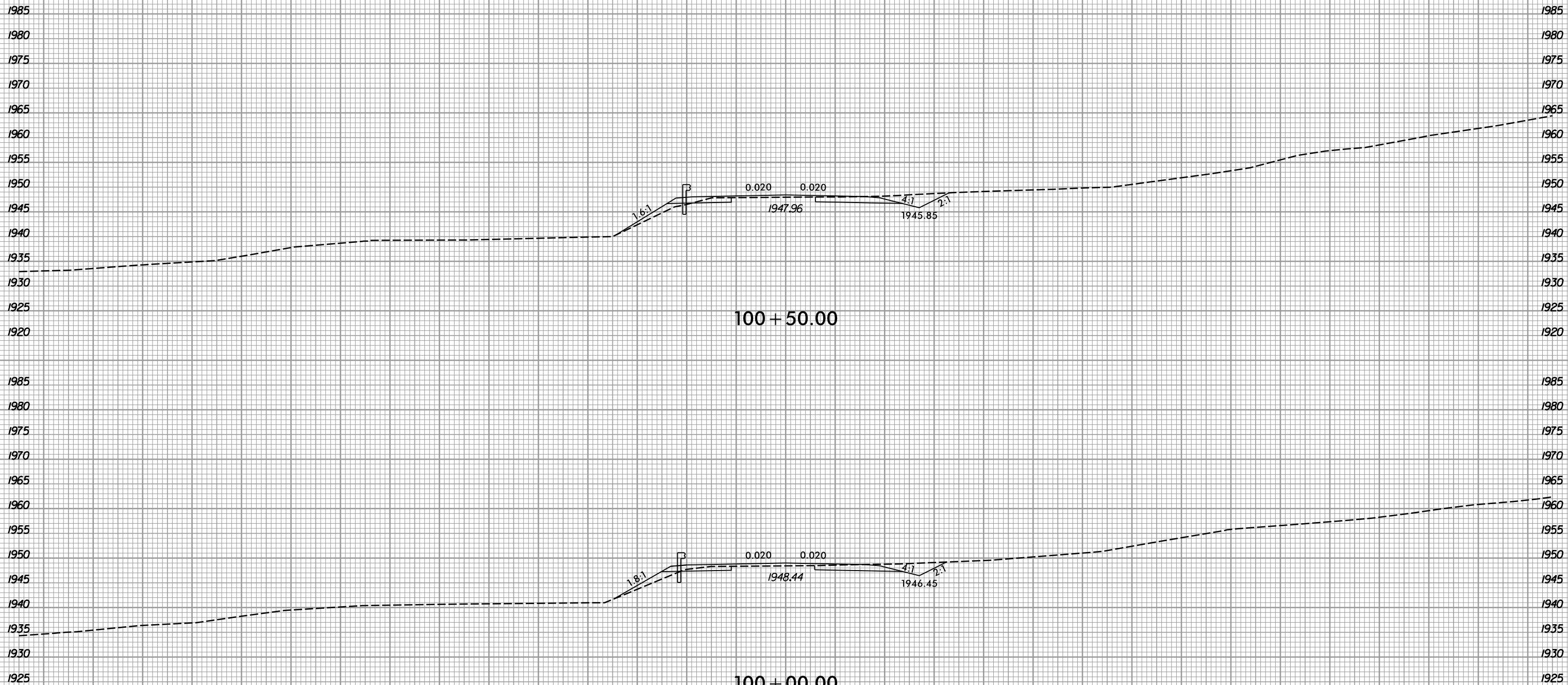
I:\14\2018  
R:\Roadway\Xsc\14-R-5742-Rdy-L\_xpl.dgn  
gprlce

150 140 130 120 110 100 90 80 70 60 50 40 30 20 10 0 10 20 30 40 50 60 70 80 90 100 110 120 130 140 150



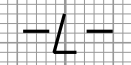


150 140 130 120 110 100 90 80 70 60 50 40 30 20 10 0 10 20 30 40 50 60 70 80 90 100 110 120 130 140 150



100 + 50.00

100 + 00.00

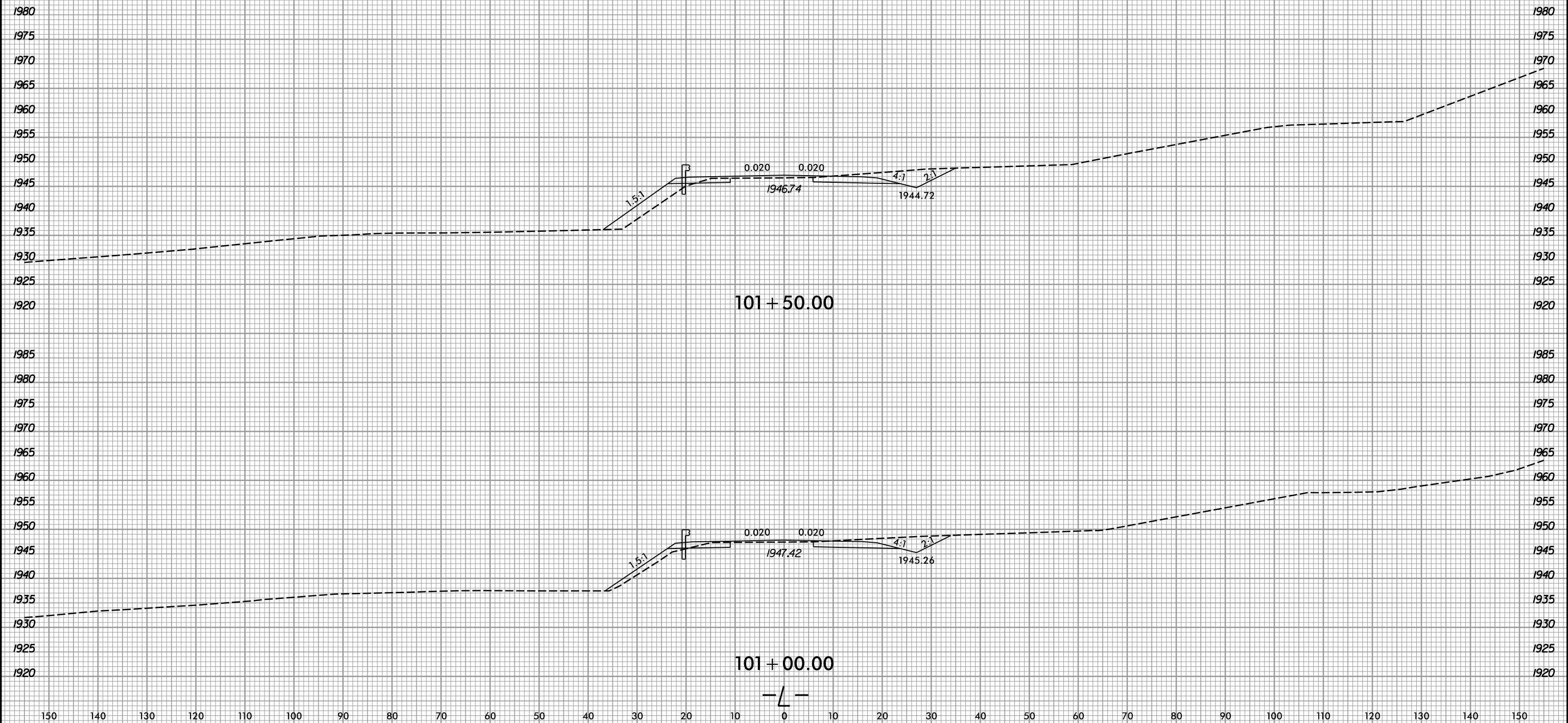


6/23/16



PROJ. REFERENCE NO.	SHEET NO.
R-5742	X-53

150 140 130 120 110 100 90 80 70 60 50 40 30 20 10 0 10 20 30 40 50 60 70 80 90 100 110 120 130 140 150



I:\14\2018  
R:\Roadway\Xsc\101-5742.Rdy\_L\_xpl.dgn  
gprlce

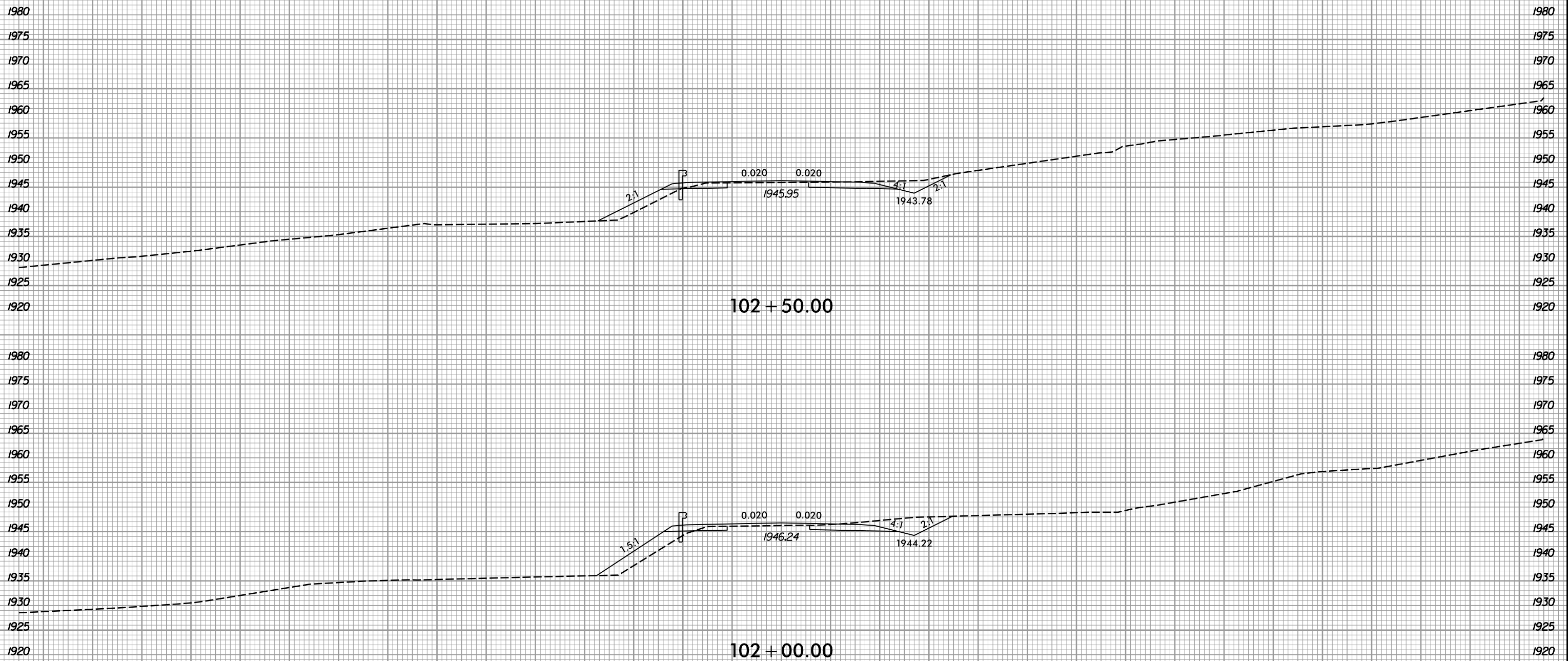
6/23/16



PROJ. REFERENCE NO.  
R-5742

SHEET NO.  
X-54

150 140 130 120 110 100 90 80 70 60 50 40 30 20 10 0 10 20 30 40 50 60 70 80 90 100 110 120 130 140 150



150 140 130 120 110 100 90 80 70 60 50 40 30 20 10 0 10 20 30 40 50 60 70 80 90 100 110 120 130 140 150

I2/14/2018  
R:\Roadway\Xsc\102+00.00\102+00.00.dgn  
gpr/ice

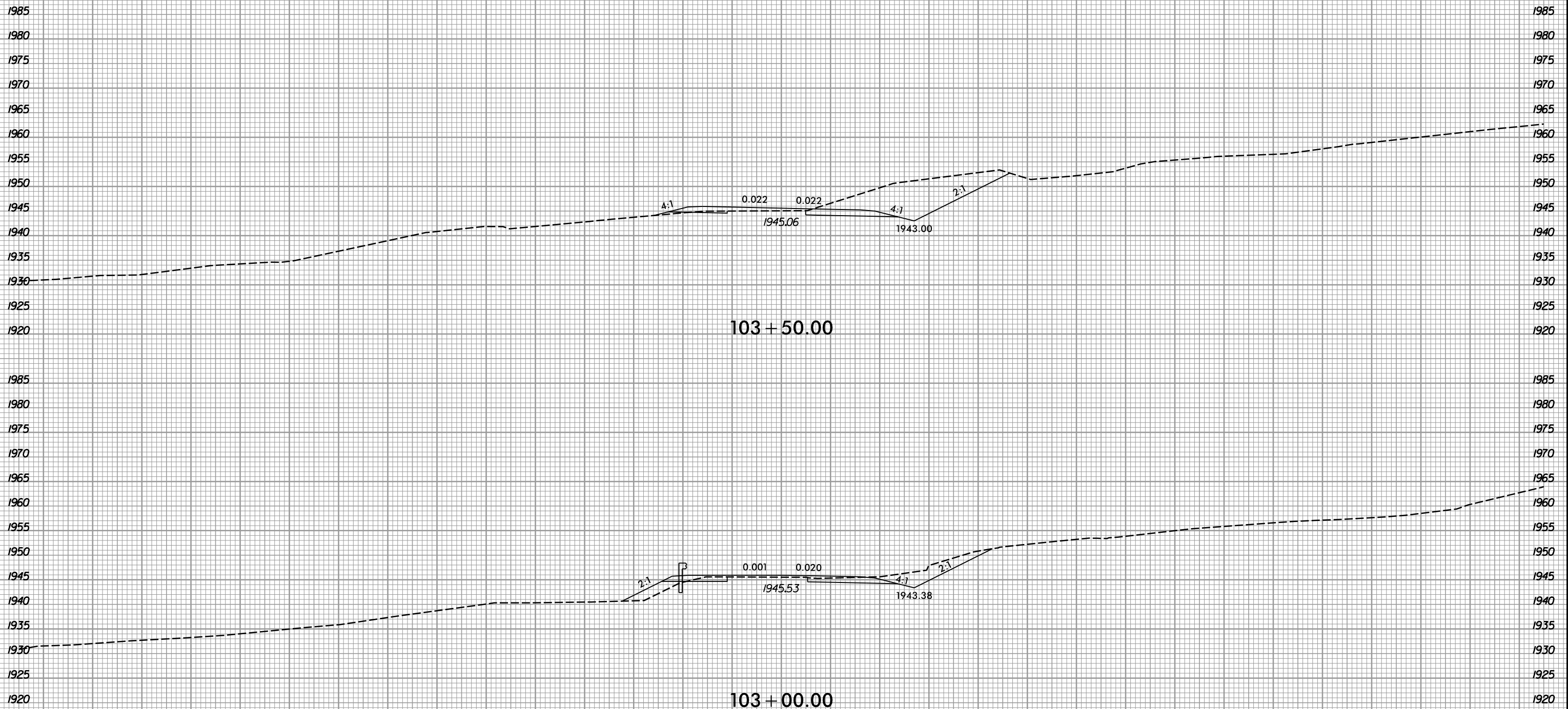
6/23/16



PROJ. REFERENCE NO.  
R-5742

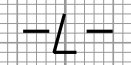
SHEET NO.  
X-55

150 140 130 120 110 100 90 80 70 60 50 40 30 20 10 0 10 20 30 40 50 60 70 80 90 100 110 120 130 140 150



103 + 50.00

103 + 00.00



I:\14\2018  
R:\Roadway\Xsc\14-R-5742-Rdy-L\_xpl.dgn  
gpr/ice

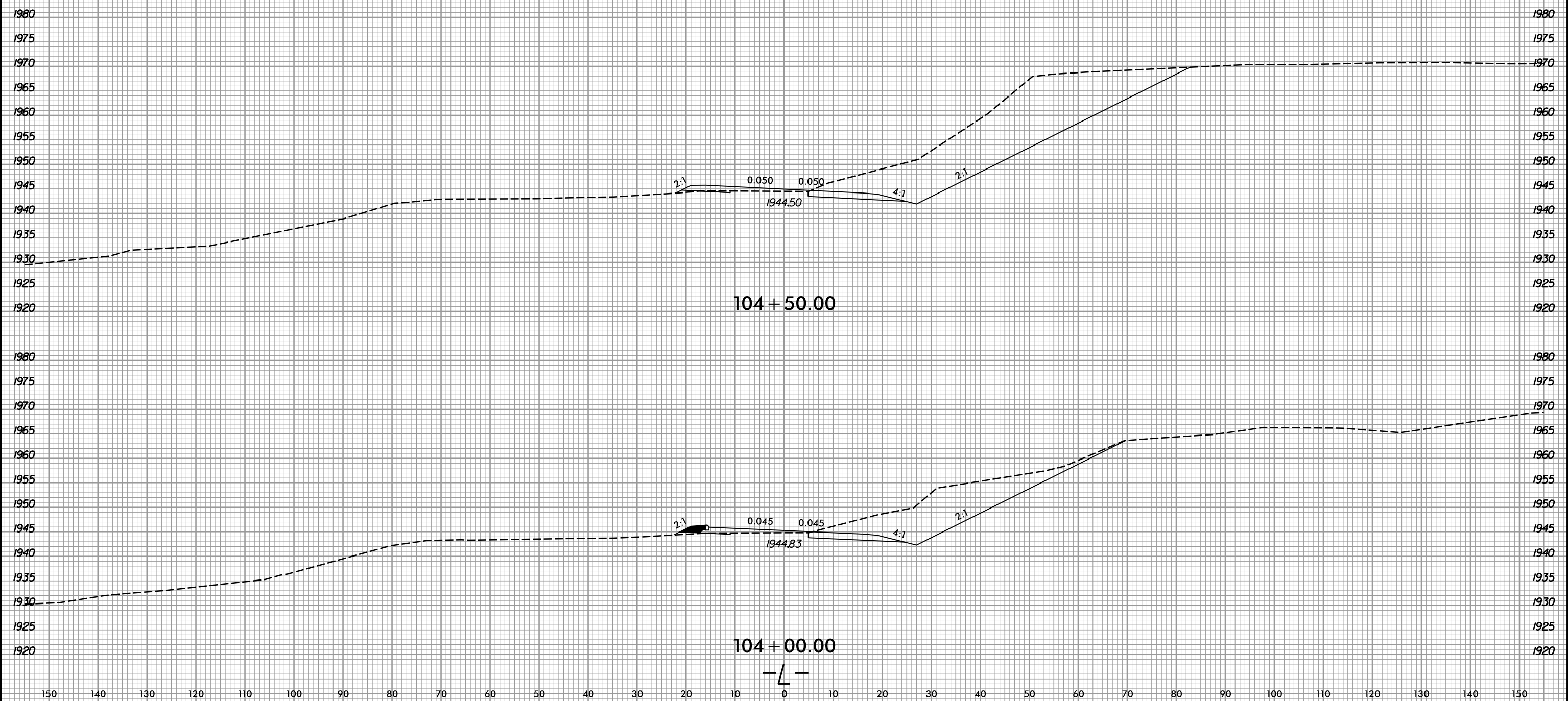
6/23/16



PROJ. REFERENCE NO.  
R-5742

SHEET NO.  
X-56

150 140 130 120 110 100 90 80 70 60 50 40 30 20 10 0 10 20 30 40 50 60 70 80 90 100 110 120 130 140 150



I:\14\2018  
R:\Roadway\Xsc\14-R-5742-Rdy-L\_xpl.dgn  
gpr/ice

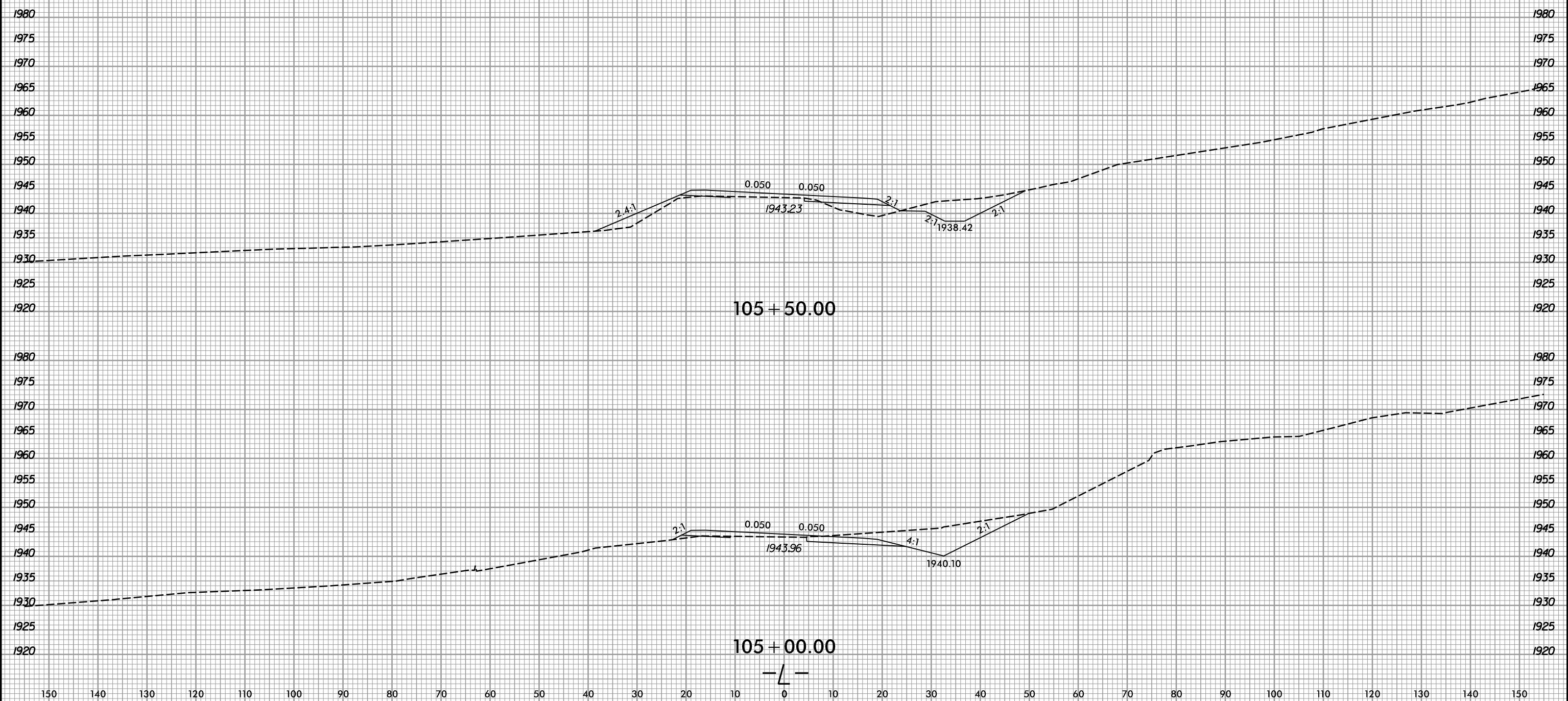
6/23/16



PROJ. REFERENCE NO.  
R-5742

SHEET NO.  
X-57

150 140 130 120 110 100 90 80 70 60 50 40 30 20 10 0 10 20 30 40 50 60 70 80 90 100 110 120 130 140 150



I:\14\2018  
R:\Roadway\Xsc\105+5742.Rdy.L\_xpl.dgn  
gpr/ice

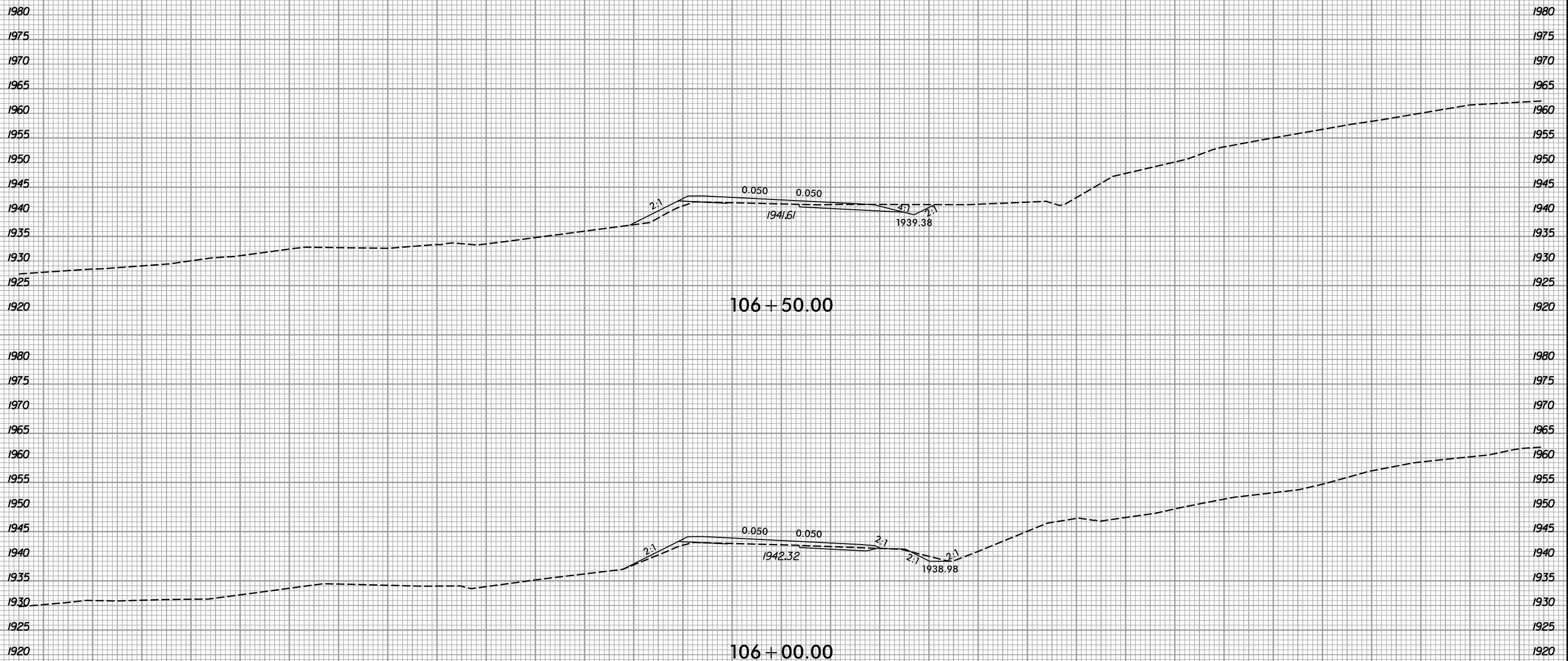
6/23/16



PROJ. REFERENCE NO.  
R-5742

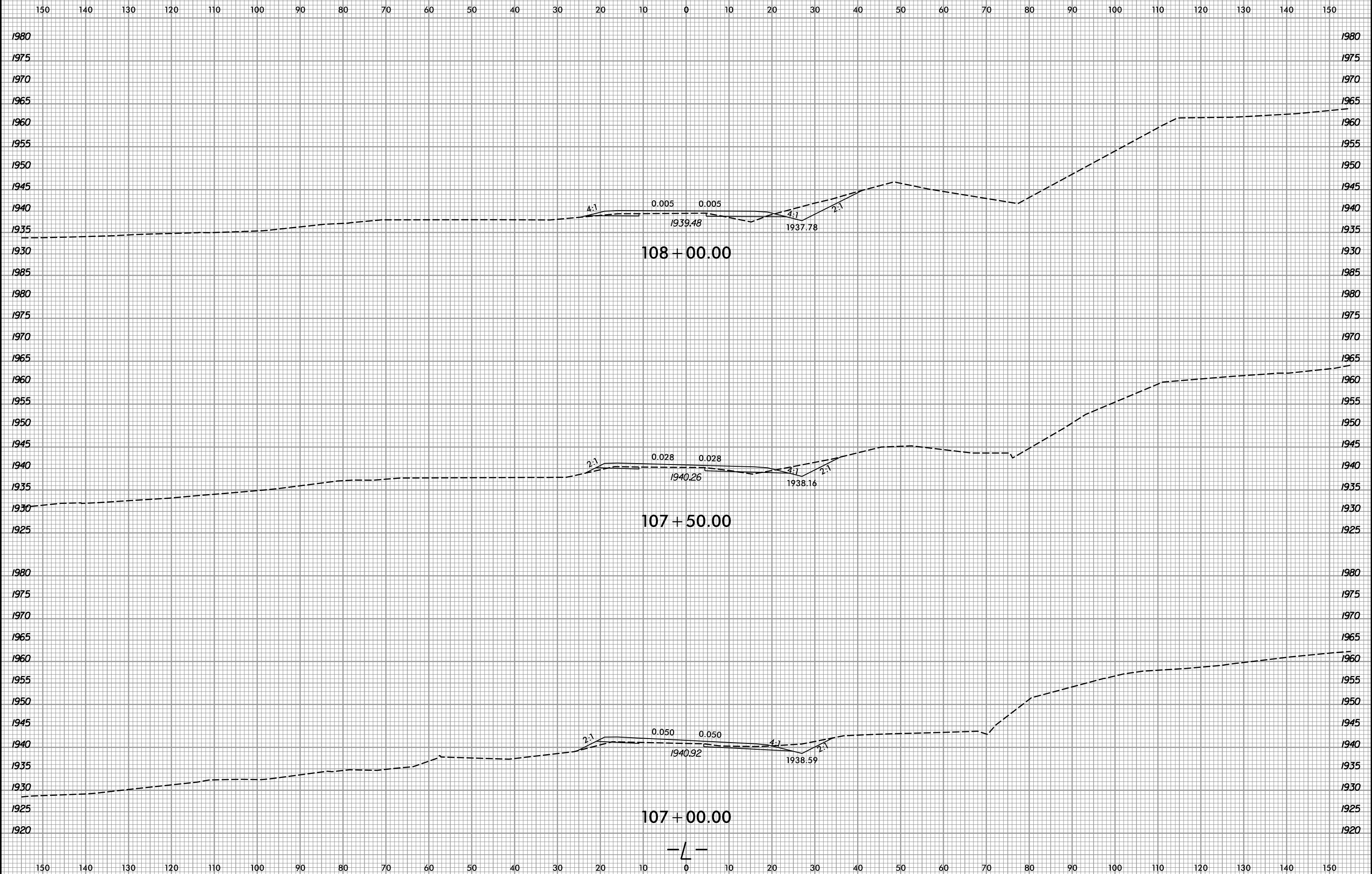
SHEET NO.  
X-58

150 140 130 120 110 100 90 80 70 60 50 40 30 20 10 0 10 20 30 40 50 60 70 80 90 100 110 120 130 140 150



150 140 130 120 110 100 90 80 70 60 50 40 30 20 10 0 10 20 30 40 50 60 70 80 90 100 110 120 130 140 150

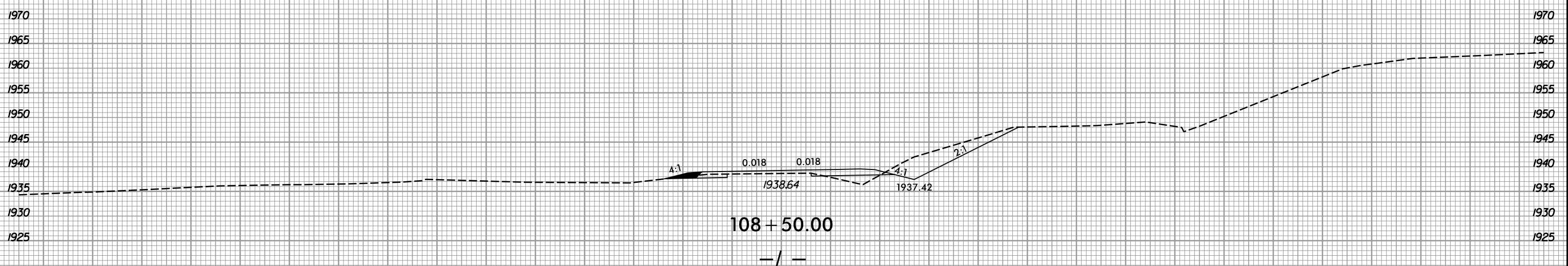
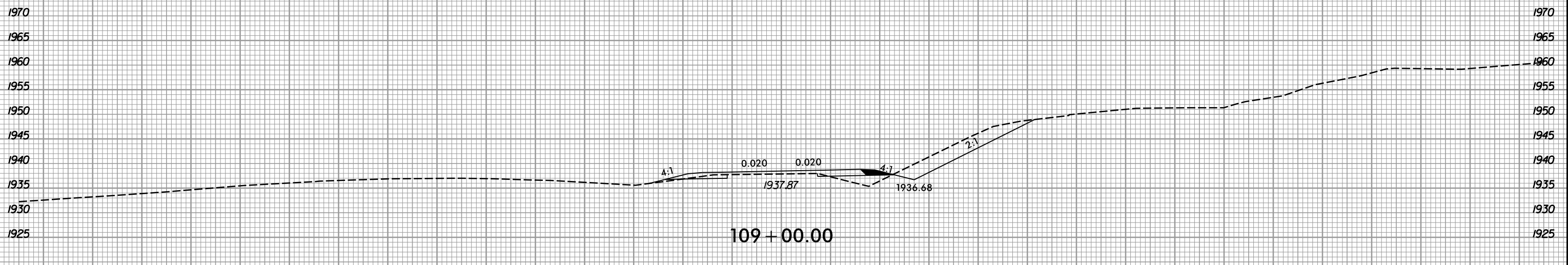
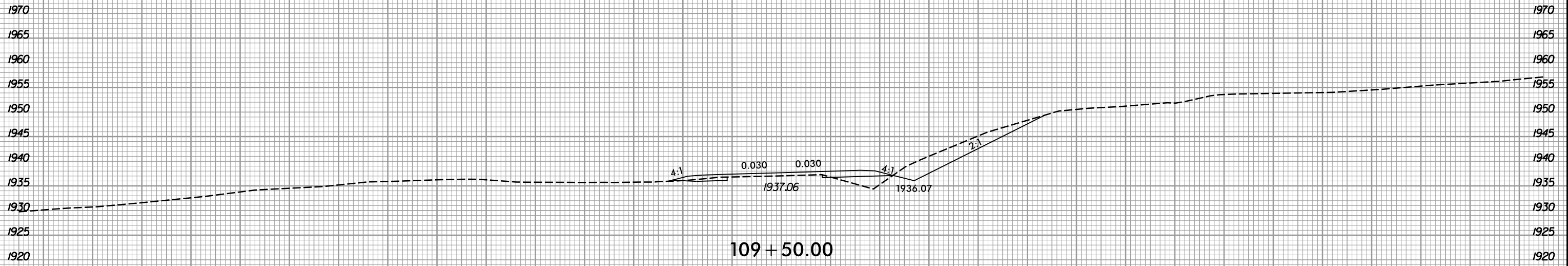
I:\14\2018  
R:\Roadway\Xsc\16-5742.Rdy.L\_xpl.dgn  
gpr/ice







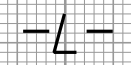
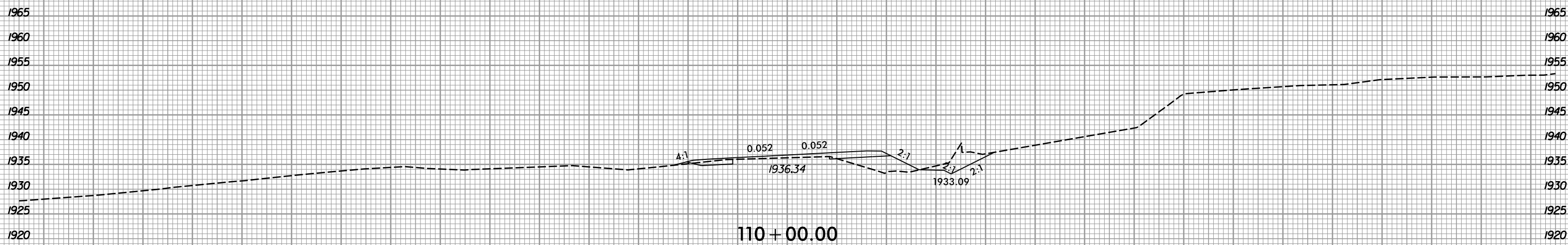
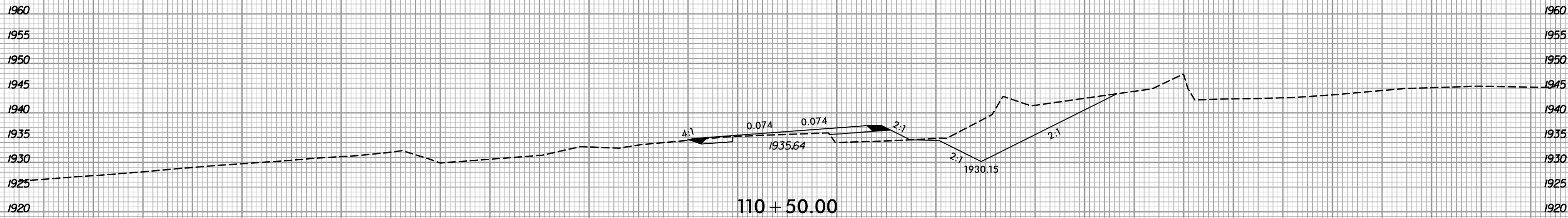
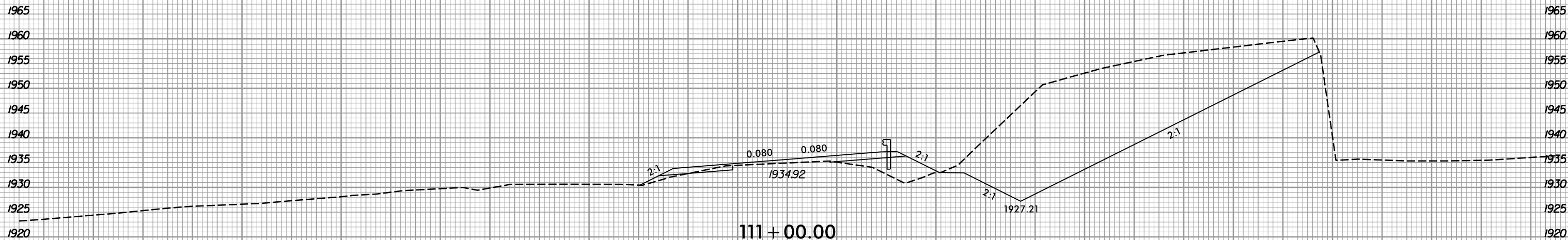
150 140 130 120 110 100 90 80 70 60 50 40 30 20 10 0 10 20 30 40 50 60 70 80 90 100 110 120 130 140 150



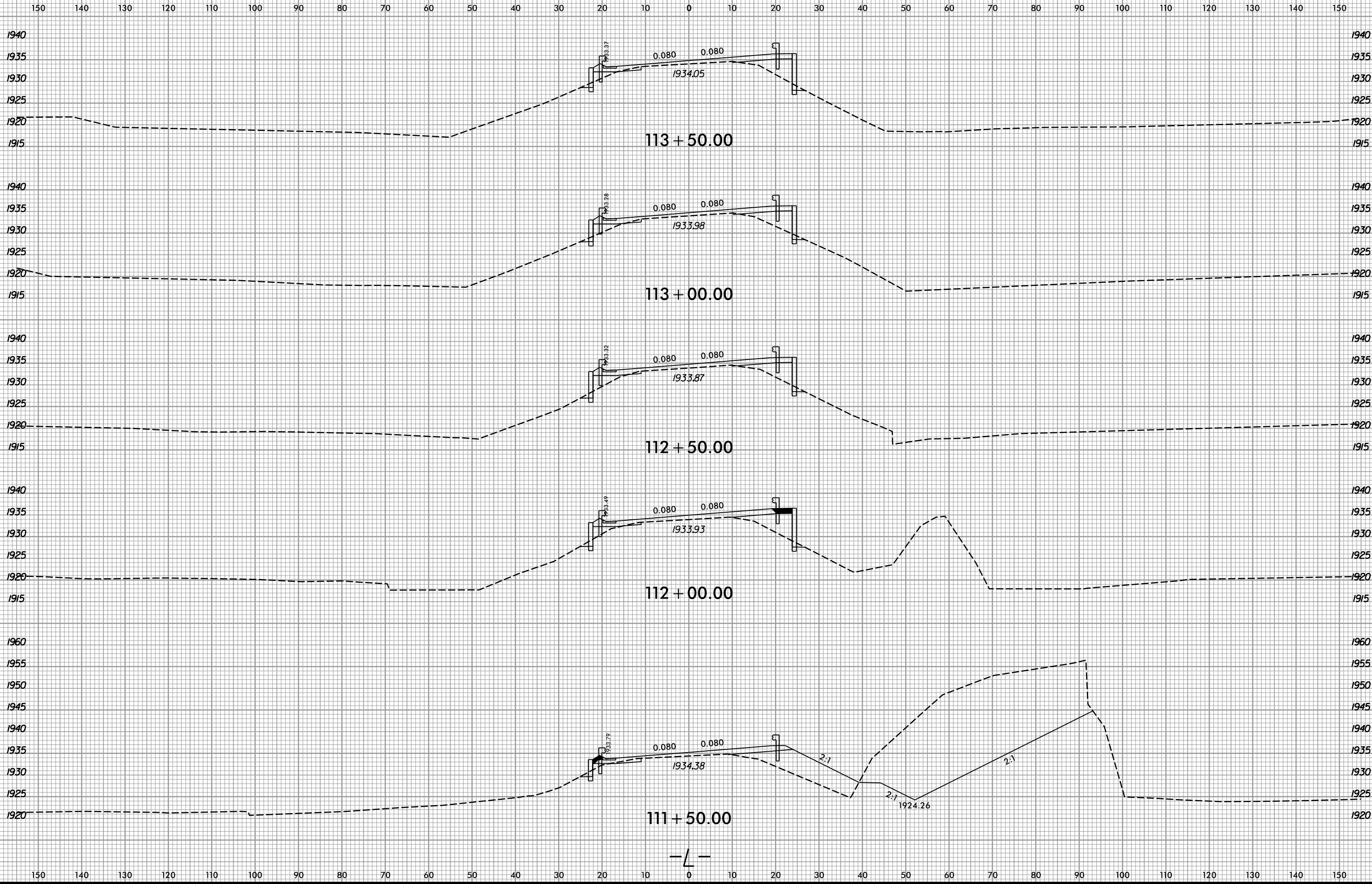
150 140 130 120 110 100 90 80 70 60 50 40 30 20 10 0 10 20 30 40 50 60 70 80 90 100 110 120 130 140 150



150 140 130 120 110 100 90 80 70 60 50 40 30 20 10 0 10 20 30 40 50 60 70 80 90 100 110 120 130 140 150



150 140 130 120 110 100 90 80 70 60 50 40 30 20 10 0 10 20 30 40 50 60 70 80 90 100 110 120 130 140 150



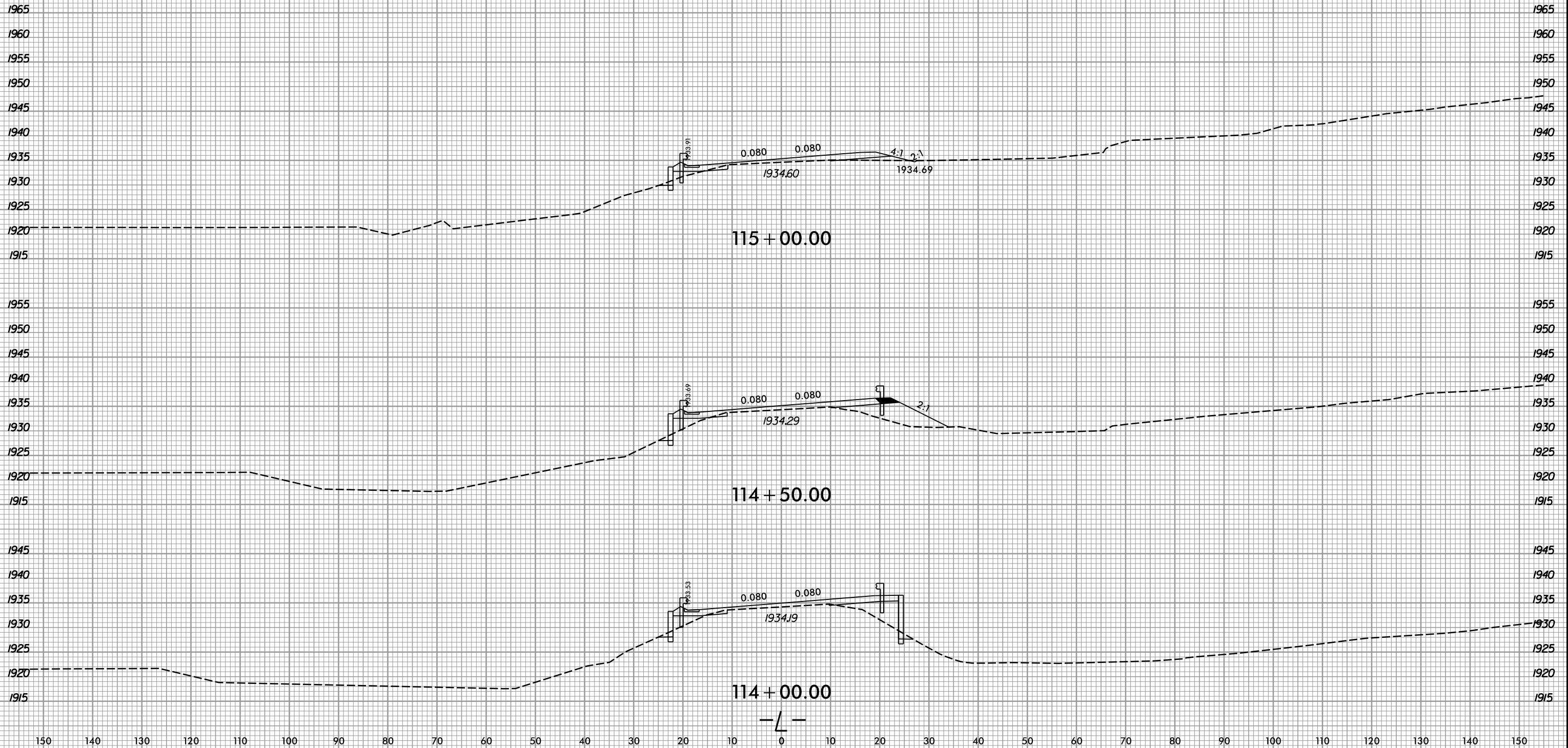
6/23/16



PROJ. REFERENCE NO.  
R-5742

SHEET NO.  
X-63

150 140 130 120 110 100 90 80 70 60 50 40 30 20 10 0 10 20 30 40 50 60 70 80 90 100 110 120 130 140 150



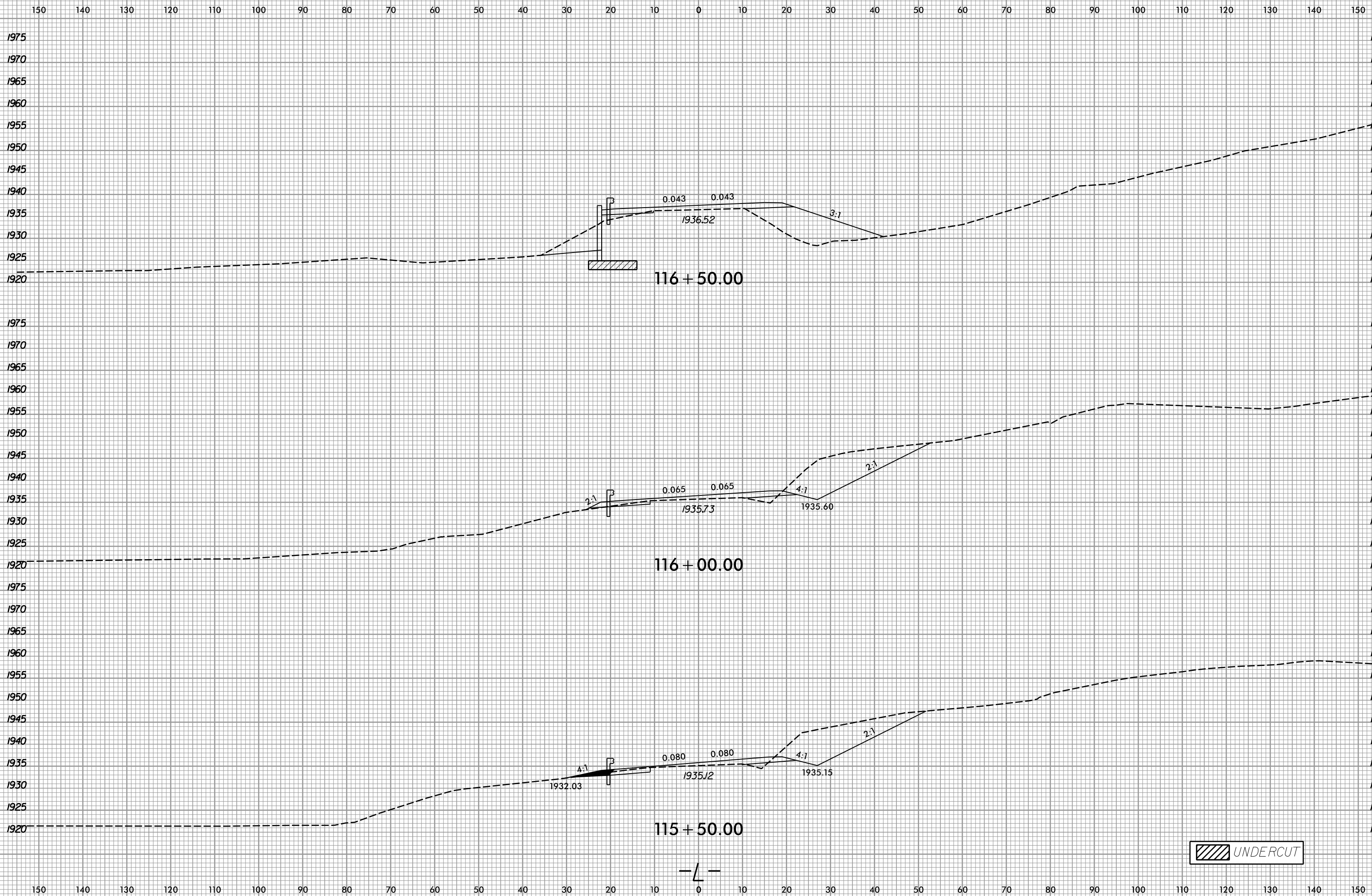
I:\14\2018  
R:\Roadway\Xsc\R-5742.Rdy.L\_xpl.dgn  
gpr/ice

6/23/16



PROJ. REFERENCE NO.  
R-5742

SHEET NO.  
X-64



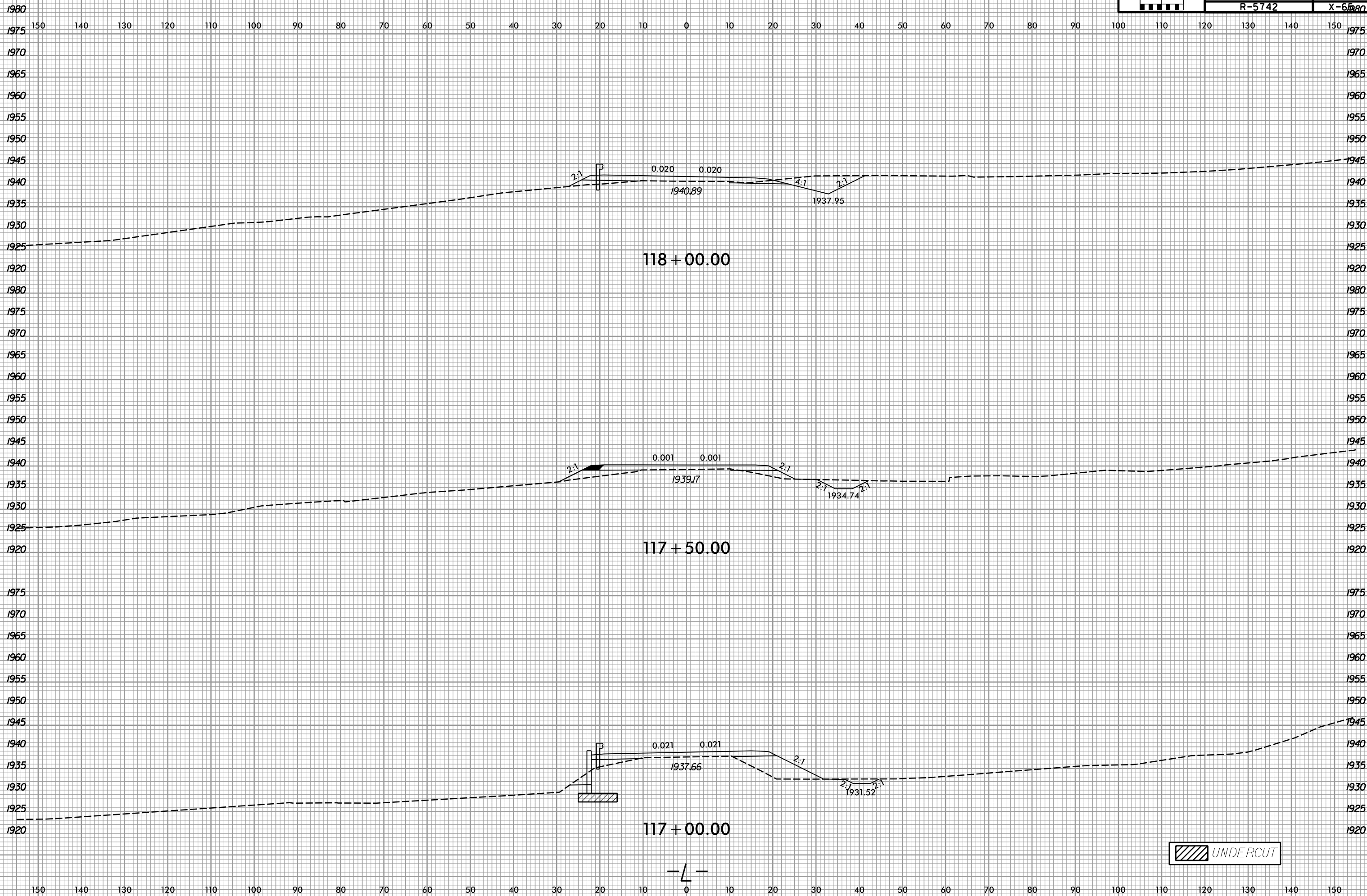
I:\14\2018  
R:\Roadway\Xsc\16-5742\_Rdy\_L\_xpl.dgn  
grfice

6/23/16



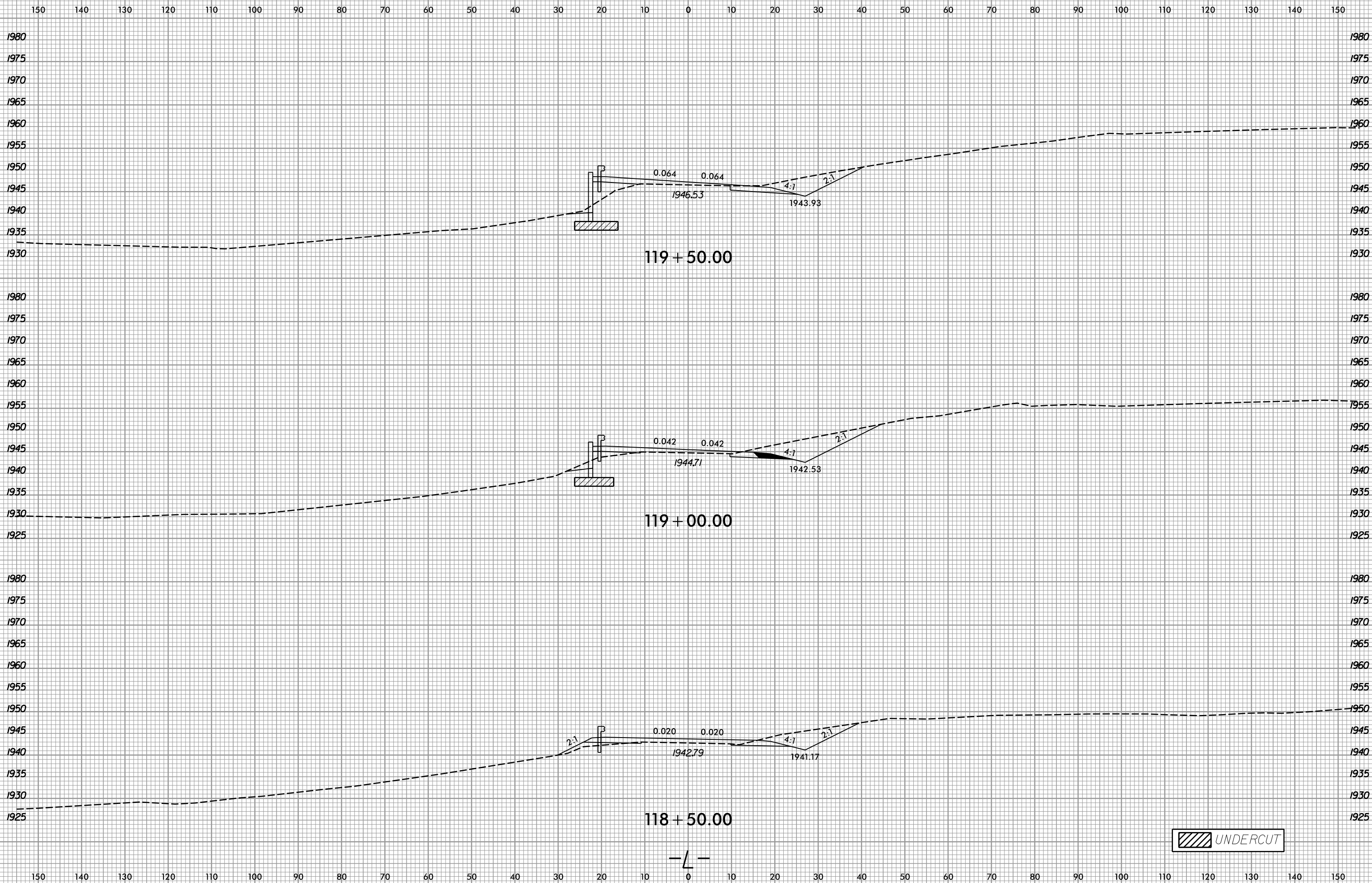
PROJ. REFERENCE NO.  
R-5742

SHEET NO.  
X-6580



UNDERCUT

I2/14/2018  
R:\Roadway\Xsc\18-5742\_Rdy\_L\_xpl.dgn  
gprlce



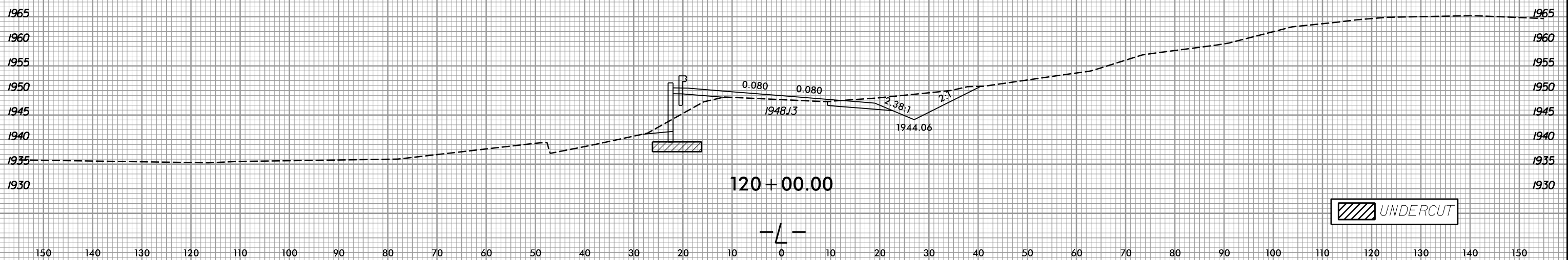
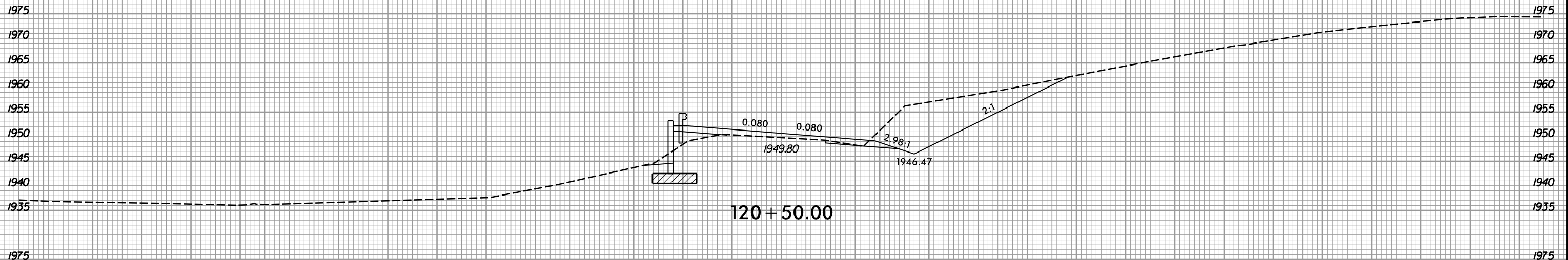
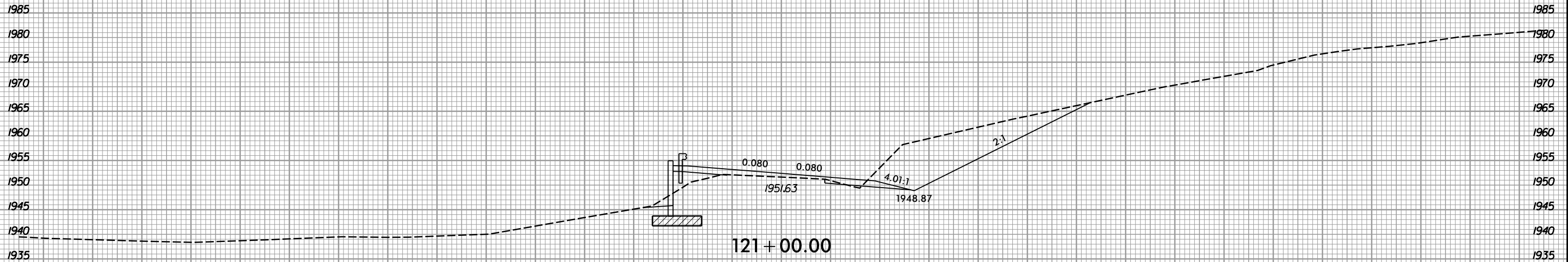
6/23/16



PROJ. REFERENCE NO.  
R-5742

SHEET NO.  
X-67

150 140 130 120 110 100 90 80 70 60 50 40 30 20 10 0 10 20 30 40 50 60 70 80 90 100 110 120 130 140 150



UNDERCUT

-L-

150 140 130 120 110 100 90 80 70 60 50 40 30 20 10 0 10 20 30 40 50 60 70 80 90 100 110 120 130 140 150

I:\14\2018  
R:\Roadway\Xsc\120+5742\_Rdy\_L\_xpl.dgn  
gprlce