



STATE OF NORTH CAROLINA  
DEPARTMENT OF TRANSPORTATION

ROY COOPER  
GOVERNOR

JAMES H. TROGDON, III  
SECRETARY

January 10, 2019

**Addendum No. 1**

RE: Contract # C204241

WBS # 50466.3.1

F. A. # NHPP-0040 (033)

**Davie County (I-5823)**

I-40 From 0.3 Miles East Of Iredell County Line To  
0.5 Mile West Of US-601

**January 15, 2019 Letting**

To Whom It May Concern:

Reference is made to the plans and proposal form furnished to you on this project.

The following revisions have been made to the Roadway plans:

| Sheet No. | Revision                                |
|-----------|---|
| 2A-3      | Revised to add a "Ramp Typical Section" |

Please void Sheet No. 2A-3 in your plans and staple the revised sheet thereto.

The following revisions have been made to the proposal:

| Page No.       | Revisions  |
|----------------|--|
| Proposal Cover | Note added that reads "Includes Addendum No. 1 Dated 01-10-2019" |

Please void the Proposal Cover and staple the revised Proposal Cover thereto.

*Mailing Address:*  
NC DEPARTMENT OF TRANSPORTATION  
CONTRACT STANDARDS AND DEVELOPMENT  
1591 MAIL SERVICE CENTER  
RALEIGH, NC 27699-1591

*Telephone:* (919) 707-6900  
*Fax:* (919) 250-4127  
*Customer Service:* 1-877-368-4968

*Location:*  
1020 BIRCH RIDGE DR.  
RALEIGH, NC 27610

*Website:* [www.ncdot.gov](http://www.ncdot.gov)

I-5823 (C204241)

Davie County

On the item sheets the following pay item has been added:

| <u>Item</u>          | <u>Description</u>                                | <u>Old Quantity</u> | <u>New Quantity</u> |
|----------------------|---|---------------------|---------------------|
| 033-1491000000-E-610 | Asphalt Concrete Base Course, Type B25.0C         | 116,200 TON         | 119,070 TON         |
| 034-1503000000-E-610 | Asphalt Concrete Intermediate Course, Type I19.0C | 90,080 TON          | 90,940 TON          |
| 035-1523000000-E-610 | Asphalt Concrete Surface Course, Type S9.5C       | 14,560 TON          | 15,860 TON          |
| 037-1575000000-E-620 | Asphalt Binder For Plant Mix                      | 10,430 TON          | 10,675 TON          |

The Contractor's bid must be based on these revised pay item quantities.

The Expedite File has been updated to reflect these revisions. Please download the Expedite Addendum File and follow the instructions for applying the addendum. Bid Express will not accept your bid unless the addendum has been applied.

The contract will be prepared accordingly.

Sincerely,

DocuSigned by:  
  
F81B6038A47A442...  
Ronald E. Davenport, Jr., PE  
State Contract Officer

RED/jag  
Attachments

cc: Mr. Lamar Sylvester, PE  
Mr. Pat Ivey, PE  
Mr. Ron Hancock, PE  
Mr. Jon Weathersbee, PE  
Mr. Ken Kennedy, PE  
Ms. Lori Strickland  
Project File (2)

Mr. Ray Arnold, PE  
Ms. Jaci Kincaid  
Mr. Mike Gwyn  
Mr. Alex Foster  
Ms. Penny Higgins  
Mr. Mitchell Dixon

STATE OF NORTH CAROLINA  
DEPARTMENT OF TRANSPORTATION  
RALEIGH, N.C.

PROPOSAL

**INCLUDES ADDENDUM No. 1 DATED 01-10-2019**

DATE AND TIME OF BID OPENING: **JANUARY 15, 2019 AT 2:00 PM**

CONTRACT ID      C204241  
WBS                50466.3.1

FEDERAL-AID NO. NHPP-0040(033)

COUNTY            DAVIE

T.I.P. NO.        I-5823

MILES             6.551

ROUTE NO.        I 40

LOCATION           I-40 FROM 0.3 MILES EAST OF IREDELL COUNTY LINE TO 0.5 MILE  
WEST OF US-601.

TYPE OF WORK    GRADING, DRAINAGE, STRUCTURES, PAVEMENT REHABILITATION &  
BRIDGE PRESERVATION.

**NOTICE:**

ALL BIDDERS SHALL COMPLY WITH ALL APPLICABLE LAWS REGULATING THE PRACTICE OF GENERAL CONTRACTING AS CONTAINED IN CHAPTER 87 OF THE GENERAL STATUTES OF NORTH CAROLINA WHICH REQUIRES THE BIDDER TO BE LICENSED BY THE N.C. LICENSING BOARD FOR CONTRACTORS WHEN BIDDING ON ANY NON-FEDERAL AID PROJECT WHERE THE BID IS \$30,000 OR MORE, EXCEPT FOR CERTAIN SPECIALTY WORK AS DETERMINED BY THE LICENSING BOARD. BIDDERS SHALL ALSO COMPLY WITH ALL OTHER APPLICABLE LAWS REGULATING THE PRACTICES OF ELECTRICAL, PLUMBING, HEATING AND AIR CONDITIONING AND REFRIGERATION CONTRACTING AS CONTAINED IN CHAPTER 87 OF THE GENERAL STATUTES OF NORTH CAROLINA. NOTWITHSTANDING THESE LIMITATIONS ON BIDDING, THE BIDDER WHO IS AWARDED ANY FEDERAL - AID FUNDED PROJECT SHALL COMPLY WITH CHAPTER 87 OF THE GENERAL STATUTES OF NORTH CAROLINA FOR LICENSING REQUIREMENTS WITHIN 60 CALENDAR DAYS OF BID OPENING.

**BIDS WILL BE RECEIVED AS SHOWN BELOW:**

**THIS IS A ROADWAY & STRUCTURE PROPOSAL**

**5% BID BOND OR BID DEPOSIT REQUIRED**

---

County : Davie

| Line #               | Item Number  | Sec # | Description  | Quantity      | Unit Cost | Amount |
|----------------------|--------------|-------|--|---------------|-----------|--------|
| <b>ROADWAY ITEMS</b> |              |       |  |               |           |        |
| 0001                 | 0000100000-N | 800   | MOBILIZATION   | Lump Sum      | L.S.      |        |
| 0002                 | 0000400000-N | 801   | CONSTRUCTION SURVEYING   | Lump Sum      | L.S.      |        |
| 0003                 | 0001000000-E | 200   | CLEARING & GRUBBING .. ACRE(S)                                     | Lump Sum      | L.S.      |        |
| 0004                 | 0008000000-E | 200   | SUPPLEMENTARY CLEARING & GRUB-<br>BING                             | 1<br>ACR      |           |        |
| 0005                 | 0022000000-E | 225   | UNCLASSIFIED EXCAVATION  | 103,100<br>CY |           |        |
| 0006                 | 0028000000-N | SP    | TYPE I STANDARD APPROACH FILL<br>STATION *****<br>(701+85.00-L-LT) | Lump Sum      | L.S.      |        |
| 0007                 | 0028000000-N | SP    | TYPE I STANDARD APPROACH FILL<br>STATION *****<br>(702+82.00-L-RT) | Lump Sum      | L.S.      |        |
| 0008                 | 0036000000-E | 225   | UNDERCUT EXCAVATION  | 396<br>CY     |           |        |
| 0009                 | 0106000000-E | 230   | BORROW EXCAVATION  | 44,500<br>CY  |           |        |
| 0010                 | 0134000000-E | 240   | DRAINAGE DITCH EXCAVATION  | 914<br>CY     |           |        |
| 0011                 | 0156000000-E | 250   | REMOVAL OF EXISTING ASPHALT<br>PAVEMENT                            | 117,410<br>SY |           |        |
| 0012                 | 0170000000-E | SP    | REMOVAL OF EXISTING CONCRETE<br>PAVEMENT SLABS                     | 3,560<br>SY   |           |        |
| 0013                 | 0196000000-E | 270   | GEOTEXTILE FOR SOIL STABILIZA-<br>TION                             | 26,300<br>SY  |           |        |
| 0014                 | 0314000000-E | SP    | SELECT MATERIAL, CLASS *****<br>(IV)                               | 882<br>TON    |           |        |
| 0015                 | 0318000000-E | 300   | FOUNDATION CONDITIONING MATE-<br>RIAL, MINOR STRUCTURES            | 640<br>TON    |           |        |
| 0016                 | 0320000000-E | 300   | FOUNDATION CONDITIONING GEO-<br>TEXTILE                            | 2,010<br>SY   |           |        |
| 0017                 | 0448200000-E | 310   | 15" RC PIPE CULVERTS, CLASS IV                                     | 4,952<br>LF   |           |        |
| 0018                 | 0448300000-E | 310   | 18" RC PIPE CULVERTS, CLASS IV                                     | 8<br>LF       |           |        |

County : Davie

| Line # | Item Number  | Sec # | Description                                    | Quantity       | Unit Cost | Amount |
|--------|--------------|-------|--|----------------|-----------|--------|
| 0019   | 0448400000-E | 310   | 24" RC PIPE CULVERTS, CLASS IV                 | 8<br>LF        |           |        |
| 0020   | 0582000000-E | 310   | 15" CS PIPE CULVERTS, 0.064" THICK             | 488<br>LF      |           |        |
| 0021   | 0588000000-E | 310   | 18" CS PIPE CULVERTS, 0.064" THICK             | 88<br>LF       |           |        |
| 0022   | 0594000000-E | 310   | 24" CS PIPE CULVERTS, 0.064" THICK             | 484<br>LF      |           |        |
| 0023   | 0636000000-E | 310   | *** CS PIPE ELBOWS, ***** THICK (15", 0.064")  | 30<br>EA       |           |        |
| 0024   | 0636000000-E | 310   | *** CS PIPE ELBOWS, ***** THICK (18", 0.064")  | 4<br>EA        |           |        |
| 0025   | 0636000000-E | 310   | *** CS PIPE ELBOWS, ***** THICK (24", 0.064")  | 22<br>EA       |           |        |
| 0026   | 0995000000-E | 340   | PIPE REMOVAL                                   | 1,927<br>LF    |           |        |
| 0027   | 1011000000-N | 500   | FINE GRADING                                   | Lump Sum       | L.S.      |        |
| 0028   | 1099500000-E | 505   | SHALLOW UNDERCUT                               | 12,900<br>CY   |           |        |
| 0029   | 1099700000-E | 505   | CLASS IV SUBGRADE STABILIZATION                | 17,200<br>TON  |           |        |
| 0030   | 1110000000-E | 510   | STABILIZER AGGREGATE                           | 500<br>TON     |           |        |
| 0031   | 1297000000-E | 607   | MILLING ASPHALT PAVEMENT, ***** DEPTH (1-1/2") | 20,000<br>SY   |           |        |
| 0032   | 1330000000-E | 607   | INCIDENTAL MILLING                             | 4,000<br>SY    |           |        |
| 0033   | 1491000000-E | 610   | ASPHALT CONC BASE COURSE, TYPE B25.0C          | 119,070<br>TON |           |        |
| 0034   | 1503000000-E | 610   | ASPHALT CONC INTERMEDIATE COURSE, TYPE I19.0C  | 90,940<br>TON  |           |        |
| 0035   | 1523000000-E | 610   | ASPHALT CONC SURFACE COURSE, TYPE S9.5C        | 15,860<br>TON  |           |        |

County : Davie

| Line # | Item Number  | Sec # | Description  | Quantity      | Unit Cost | Amount |
|--------|--------------|-------|--|---------------|-----------|--------|
| 0036   | 1524200000-E | 610   | ASPHALT CONC SURFACE COURSE,<br>TYPE S9.5D                           | 56,730<br>TON |           |        |
| 0037   | 1575000000-E | 620   | ASPHALT BINDER FOR PLANT MIX   | 10,675<br>TON |           |        |
| 0038   | 1577000000-E | 620   | POLYMER MODIFIED ASPHALT BIN-<br>DER FOR PLANT MIX                   | 3,235<br>TON  |           |        |
| 0039   | 1840000000-E | 665   | MILLED RUMBLE STRIPS (ASPHALT<br>CONCRETE)                           | 137,250<br>LF |           |        |
| 0040   | 1880000000-E | SP    | GENERIC PAVING ITEM<br>AGGREGATE BASE COURSE FOR<br>BACKFILL         | 906<br>TON    |           |        |
| 0041   | 1891000000-E | SP    | GENERIC PAVING ITEM<br>8" CONTINUOUSLY REINFORCED<br>CONCRETE REPAIR | 3,660<br>SY   |           |        |
| 0042   | 1891500000-N | SP    | GENERIC PAVING ITEM<br>10" CONCRETE SLEEPER SLAB                     | Lump Sum      | L.S.      |        |
| 0043   | 2099000000-E | 816   | SHOULDER DRAIN   | 30,400<br>LF  |           |        |
| 0044   | 2110000000-E | 816   | 4" SHOULDER DRAIN PIPE   | 30,400<br>LF  |           |        |
| 0045   | 2121000000-E | 816   | 4" OUTLET PIPE FOR SHOULDER<br>DRAINS                                | 2,810<br>LF   |           |        |
| 0046   | 2132000000-N | 816   | CONCRETE PAD FOR SHOULDER<br>DRAIN PIPE OUTLET                       | 80<br>EA      |           |        |
| 0047   | 2190000000-N | 828   | TEMPORARY STEEL PLATE COVERS<br>FOR MASONRY DRAINAGE<br>STRUCTURE    | 6<br>EA       |           |        |
| 0048   | 2253000000-E | 840   | PIPE COLLARS   | 0.999<br>CY   |           |        |
| 0049   | 2286000000-N | 840   | MASONRY DRAINAGE STRUCTURES  | 58<br>EA      |           |        |
| 0050   | 2308000000-E | 840   | MASONRY DRAINAGE STRUCTURES  | 0.4<br>LF     |           |        |
| 0051   | 2364200000-N | 840   | FRAME WITH TWO GRATES, STD<br>840.20                                 | 4<br>EA       |           |        |
| 0052   | 2365000000-N | 840   | FRAME WITH TWO GRATES, STD<br>840.22                                 | 6<br>EA       |           |        |

County : Davie

| Line # | Item Number  | Sec # | Description  | Quantity     | Unit Cost | Amount |
|--------|--------------|-------|--|--------------|-----------|--------|
| 0053   | 2407000000-N | 840   | STEEL FRAME WITH TWO GRATES,<br>STD 840.37                             | 48<br>EA     |           |        |
| 0054   | 2556000000-E | 846   | SHOULDER BERM GUTTER   | 144<br>LF    |           |        |
| 0055   | 2577000000-E | 846   | CONCRETE EXPRESSWAY GUTTER   | 8,690<br>LF  |           |        |
| 0056   | 2815000000-N | 858   | ADJUSTMENT OF DROP INLETS  | 4<br>EA      |           |        |
| 0057   | 3030000000-E | 862   | STEEL BEAM GUARDRAIL   | 28,550<br>LF |           |        |
| 0058   | 3150000000-N | 862   | ADDITIONAL GUARDRAIL POSTS   | 20<br>EA     |           |        |
| 0059   | 3210000000-N | 862   | GUARDRAIL END UNITS, TYPE<br>CAT-1                                     | 30<br>EA     |           |        |
| 0060   | 3287000000-N | SP    | GUARDRAIL END UNITS, TYPE TL-3   | 47<br>EA     |           |        |
| 0061   | 3317000000-N | SP    | GUARDRAIL ANCHOR UNITS, TYPE<br>B-77                                   | 8<br>EA      |           |        |
| 0062   | 3347000000-E | 864   | REMOVE & RESET EXISTING GUIDE-<br>RAIL                                 | 1,000<br>LF  |           |        |
| 0063   | 3360000000-E | 863   | REMOVE EXISTING GUARDRAIL  | 31,144<br>LF |           |        |
| 0064   | 3365000000-E | 863   | REMOVE EXISTING GUIDERAIL  | 4,000<br>LF  |           |        |
| 0065   | 3380000000-E | 862   | TEMPORARY STEEL BEAM GUARDRAIL   | 4,000<br>LF  |           |        |
| 0066   | 3389150000-N | SP    | TEMPORARY GUARDRAIL END UNITS,<br>TYPE *****<br>(TL-3)                 | 10<br>EA     |           |        |
| 0067   | 3389200000-E | 865   | CABLE GUIDERAIL  | 4,000<br>LF  |           |        |
| 0068   | 3389500000-N | 865   | ADDITIONAL GUIDERAIL POSTS   | 10<br>EA     |           |        |
| 0069   | 3389600000-N | 865   | CABLE GUIDERAIL ANCHOR UNITS   | 12<br>EA     |           |        |
| 0070   | 3436000000-N | 862   | GENERIC GUARDRAIL ITEM<br>TEMPORARY GUARDRAIL END UNITS,<br>TYPE CAT-1 | 10<br>EA     |           |        |
| 0071   | 3503000000-E | 866   | WOVEN WIRE FENCE, 47" FABRIC   | 1,030<br>LF  |           |        |

County : Davie

| Line # | Item Number  | Sec # | Description                                   | Quantity | Unit Cost | Amount |
|--------|--------------|-------|---|----------|-----------|--------|
| 0072   | 3509000000-E | 866   | 4" TIMBER FENCE POSTS, 7'-6" LONG             | 75       | EA        |        |
| 0073   | 3515000000-E | 866   | 5" TIMBER FENCE POSTS, 8'-0" LONG             | 8        | EA        |        |
| 0074   | 3595000000-E | 869   | RELAPPING GUARDRAIL                           | 6,427    | LF        |        |
| 0075   | 3628000000-E | 876   | RIP RAP, CLASS I                              | 1,020    | TON       |        |
| 0076   | 3635000000-E | 876   | RIP RAP, CLASS II                             | 105      | TON       |        |
| 0077   | 3649000000-E | 876   | RIP RAP, CLASS B                              | 170      | TON       |        |
| 0078   | 3656000000-E | 876   | GEOTEXTILE FOR DRAINAGE                       | 2,820    | SY        |        |
| 0079   | 4400000000-E | 1110  | WORK ZONE SIGNS (STATIONARY)                  | 546      | SF        |        |
| 0080   | 4402000000-E | SP    | HIGH VISIBILITY STATIONARY SIGNS              | 924      | SF        |        |
| 0081   | 4407000000-E | SP    | HIGH VISIBILITY PORTABLE SIGNS                | 384      | SF        |        |
| 0082   | 4410000000-E | 1110  | WORK ZONE SIGNS (BARRICADE MOUNTED)           | 50       | SF        |        |
| 0083   | 4415000000-N | 1115  | FLASHING ARROW BOARD                          | 6        | EA        |        |
| 0084   | 4420000000-N | 1120  | PORTABLE CHANGEABLE MESSAGE SIGN              | 4        | EA        |        |
| 0085   | 4422000000-N | 1120  | PORTABLE CHANGEABLE MESSAGE SIGN (SHORT TERM) | 60       | DAY       |        |
| 0086   | 4423000000-N | SP    | WORK ZONE DIGITAL SPEED LIMIT SIGNS           | 8        | EA        |        |
| 0087   | 4432000000-N | SP    | HIGH VISIBILITY DRUMS                         | 150      | EA        |        |
| 0088   | 4434000000-N | SP    | SEQUENTIAL FLASHING WARNING LIGHTS            | 24       | EA        |        |
| 0089   | 4445000000-E | 1145  | BARRICADES (TYPE III)                         | 96       | LF        |        |
| 0090   | 4465000000-N | 1160  | TEMPORARY CRASH CUSHIONS                      | 2        | EA        |        |



County : Davie

| Line # | Item Number  | Sec # | Description   | Quantity      | Unit Cost | Amount |
|--------|--------------|-------|---|---------------|-----------|--------|
| 0091   | 4470000000-N | 1160  | REMOVE & RESET TEMPORARY CRASH CUSHION                                | 13<br>EA      |           |        |
| 0092   | 4480000000-N | 1165  | TMA   | 2<br>EA       |           |        |
| 0093   | 4485000000-E | 1170  | PORTABLE CONCRETE BARRIER   | 16,645<br>LF  |           |        |
| 0094   | 4500000000-E | 1170  | REMOVE & RESET PORTABLE CONCRETE BARRIER                              | 69,325<br>LF  |           |        |
| 0095   | 4510000000-N | 1190  | LAW ENFORCEMENT   | 1,653<br>HR   |           |        |
| 0096   | 4516000000-N | 1180  | SKINNY DRUM   | 100<br>EA     |           |        |
| 0097   | 4589000000-N | SP    | GENERIC TRAFFIC CONTROL ITEM PORTABLE QUEUE WARNING SYSTEM DEPLOYMENT | Lump Sum      | L.S.      |        |
| 0098   | 4600000000-N | SP    | GENERIC TRAFFIC CONTROL ITEM CONNECTED LANE CLOSURE DEVICE            | 4<br>EA       |           |        |
| 0099   | 4609000000-N | SP    | GENERIC TRAFFIC CONTROL ITEM PORTABLE QUEUE WARNING SYSTEM            | 2,200<br>DAY  |           |        |
| 0100   | 4650000000-N | 1251  | TEMPORARY RAISED PAVEMENT MARKERS                                     | 1,131<br>EA   |           |        |
| 0101   | 4725000000-E | 1205  | THERMOPLASTIC PAVEMENT MARKING SYMBOL (90 MILS)                       | 6<br>EA       |           |        |
| 0102   | 4845000000-N | 1205  | PAINT PAVEMENT MARKING SYMBOL   | 18<br>EA      |           |        |
| 0103   | 4847020000-E | 1205  | POLYUREA PAVEMENT MARKING LINES (4", 30 MILS)                         | 625<br>LF     |           |        |
| 0104   | 4847040000-E | 1205  | POLYUREA PAVEMENT MARKING LINES (6", 30 MILS)                         | 157,731<br>LF |           |        |
| 0105   | 4847080000-E | 1205  | POLYUREA PAVEMENT MARKING LINES (12", 30 MILS)                        | 3,300<br>LF   |           |        |
| 0106   | 4847400000-E | SP    | WORK ZONE PERFORMANCE PAVEMENT MARKING LINES, 4"                      | 1,250<br>LF   |           |        |
| 0107   | 4847500000-E | SP    | WORK ZONE PERFORMANCE PAVEMENT MARKING LINES, 6"                      | 911,455<br>LF |           |        |

County : Davie

| Line # | Item Number  | Sec # | Description                                       | Quantity        | Unit Cost | Amount |
|--------|--------------|-------|---|-----------------|-----------|--------|
| 0108   | 4847600000-E | SP    | WORK ZONE PERFORMANCE PAVEMENT MARKING LINES, 12" | 2,000<br>LF     |           |        |
| 0109   | 4848000000-E | SP    | WORK ZONE TRAFFIC PATTERN MASKING                 | 1,432,200<br>SF |           |        |
| 0110   | 4900000000-N | 1251  | PERMANENT RAISED PAVEMENT MARKERS                 | 9<br>EA         |           |        |
| 0111   | 4905000000-N | 1253  | SNOWPLOWABLE PAVEMENT MARKERS                     | 1,037<br>EA     |           |        |
| 0112   | 6000000000-E | 1605  | TEMPORARY SILT FENCE                              | 16,775<br>LF    |           |        |
| 0113   | 6006000000-E | 1610  | STONE FOR EROSION CONTROL, CLASS A                | 125<br>TON      |           |        |
| 0114   | 6009000000-E | 1610  | STONE FOR EROSION CONTROL, CLASS B                | 1,720<br>TON    |           |        |
| 0115   | 6012000000-E | 1610  | SEDIMENT CONTROL STONE                            | 845<br>TON      |           |        |
| 0116   | 6015000000-E | 1615  | TEMPORARY MULCHING                                | 82<br>ACR       |           |        |
| 0117   | 6018000000-E | 1620  | SEED FOR TEMPORARY SEEDING                        | 3,100<br>LB     |           |        |
| 0118   | 6021000000-E | 1620  | FERTILIZER FOR TEMPORARY SEEDING                  | 16<br>TON       |           |        |
| 0119   | 6024000000-E | 1622  | TEMPORARY SLOPE DRAINS                            | 970<br>LF       |           |        |
| 0120   | 6029000000-E | SP    | SAFETY FENCE                                      | 200<br>LF       |           |        |
| 0121   | 6030000000-E | 1630  | SILT EXCAVATION                                   | 1,980<br>CY     |           |        |
| 0122   | 6036000000-E | 1631  | MATTING FOR EROSION CONTROL                       | 98,750<br>SY    |           |        |
| 0123   | 6037000000-E | SP    | COIR FIBER MAT                                    | 100<br>SY       |           |        |
| 0124   | 6070000000-N | 1639  | SPECIAL STILLING BASINS                           | 1<br>EA         |           |        |
| 0125   | 6071012000-E | SP    | COIR FIBER WATTLE                                 | 2,500<br>LF     |           |        |
| 0126   | 6071030000-E | 1640  | COIR FIBER BAFFLE                                 | 535<br>LF       |           |        |

County : Davie

| Line # | Item Number  | Sec # | Description                   | Quantity    | Unit Cost | Amount |
|--------|--------------|-------|-------------------------------|-------------|-----------|--------|
| 0127   | 6084000000-E | 1660  | SEEDING & MULCHING            | 45<br>ACR   |           |        |
| 0128   | 6087000000-E | 1660  | MOWING                        | 54<br>ACR   |           |        |
| 0129   | 6090000000-E | 1661  | SEED FOR REPAIR SEEDING       | 1,250<br>LB |           |        |
| 0130   | 6093000000-E | 1661  | FERTILIZER FOR REPAIR SEEDING | 2<br>TON    |           |        |
| 0131   | 6096000000-E | 1662  | SEED FOR SUPPLEMENTAL SEEDING | 1,125<br>LB |           |        |
| 0132   | 6108000000-E | 1665  | FERTILIZER TOPDRESSING        | 34<br>TON   |           |        |
| 0133   | 6111000000-E | SP    | IMPERVIOUS DIKE               | 75<br>LF    |           |        |
| 0134   | 6114500000-N | 1667  | SPECIALIZED HAND MOWING       | 105<br>MHR  |           |        |
| 0135   | 6117000000-N | SP    | RESPONSE FOR EROSION CONTROL  | 150<br>EA   |           |        |
| 0136   | 6117500000-N | SP    | CONCRETE WASHOUT STRUCTURE    | 6<br>EA     |           |        |

**STRUCTURE ITEMS**

|      |              |    |  |          |      |  |
|------|--------------|----|--|----------|------|--|
| 0137 | 8017000000-N | SP | CONSTRUCTION, MAINTENANCE, &<br>REMOVAL OF TEMP ACCESS AT STA<br>*****<br>(701+85.00-L-LT) | Lump Sum | L.S. |  |
| 0138 | 8017000000-N | SP | CONSTRUCTION, MAINTENANCE, &<br>REMOVAL OF TEMP ACCESS AT STA<br>*****<br>(702+82.00-L-RT) | Lump Sum | L.S. |  |
| 0139 | 8021000000-N | SP | REMOVAL OF EXISTING STRUCTURE<br>AT STATION *****<br>(701+85.00-L-LT)                      | Lump Sum | L.S. |  |
| 0140 | 8021000000-N | SP | REMOVAL OF EXISTING STRUCTURE<br>AT STATION *****<br>(702+82.00-L-RT)                      | Lump Sum | L.S. |  |
| 0141 | 8065000000-N | SP | ASBESTOS ASSESSMENT  | Lump Sum | L.S. |  |

County : Davie

| Line # | Item Number  | Sec # | Description   | Quantity      | Unit Cost | Amount |
|--------|--------------|-------|---|---------------|-----------|--------|
| 0142   | 8105500000-E | 411   | **1.5** DIA DRILLED PIERS IN SOIL (4'-6")                           | 370<br>LF     |           |        |
| 0143   | 8105600000-E | 411   | **1.5** DIA DRILLED PIERS NOT IN SOIL (4'-6")                       | 123<br>LF     |           |        |
| 0144   | 8111000000-E | 411   | PERMANENT STEEL CASING FOR **1.5** DIA DRILLED PIER (4'-6")         | 222<br>LF     |           |        |
| 0145   | 8113000000-N | 411   | SID INSPECTIONS   | 9<br>EA       |           |        |
| 0146   | 8114000000-N | 411   | SPT TESTING   | 18<br>EA      |           |        |
| 0147   | 8115000000-N | 411   | CSL TESTING   | 2<br>EA       |           |        |
| 0148   | 8121000000-N | 412   | UNCLASSIFIED STRUCTURE EXCAVATION AT STATION ***** (701+85.00-L-LT) | Lump Sum      | L.S.      |        |
| 0149   | 8121000000-N | 412   | UNCLASSIFIED STRUCTURE EXCAVATION AT STATION ***** (702+82.00-L-RT) | Lump Sum      | L.S.      |        |
| 0150   | 8147000000-E | 420   | REINFORCED CONCRETE DECK SLAB                                       | 24,600<br>SF  |           |        |
| 0151   | 8161000000-E | 420   | GROOVING BRIDGE FLOORS  | 39,960<br>SF  |           |        |
| 0152   | 8182000000-E | 420   | CLASS A CONCRETE (BRIDGE)   | 310.8<br>CY   |           |        |
| 0153   | 8210000000-N | 422   | BRIDGE APPROACH SLABS, STATION ***** (701+85.00-L-LT)               | Lump Sum      | L.S.      |        |
| 0154   | 8210000000-N | 422   | BRIDGE APPROACH SLABS, STATION ***** (702+82.00-L-RT)               | Lump Sum      | L.S.      |        |
| 0155   | 8217000000-E | 425   | REINFORCING STEEL (BRIDGE)  | 193,327<br>LB |           |        |
| 0156   | 8224000000-E | 425   | EPOXY COATED REINFORCING STEEL (BRIDGE)                             | 110,784<br>LB |           |        |
| 0157   | 8238000000-E | 425   | SPIRAL COLUMN REINFORCING STEEL (BRIDGE)                            | 16,572<br>LB  |           |        |

County : Davie

| Line # | Item Number  | Sec # | Description  | Quantity      | Unit Cost | Amount |
|--------|--------------|-------|--|---------------|-----------|--------|
| 0158   | 8280000000-E | 440   | APPROX ..... LBS STRUCTURAL STEEL                                    | 987,535<br>LS |           |        |
| 0159   | 8296000000-N | 442   | POLLUTION CONTROL  | Lump Sum      | L.S.      |        |
| 0160   | 8328200000-E | 450   | PILE DRIVING EQUIPMENT SETUP FOR *** STEEL PILES (HP12X53)           | 32<br>EA      |           |        |
| 0161   | 8364000000-E | 450   | HP12X53 STEEL PILES  | 1,270<br>LF   |           |        |
| 0162   | 8503000000-E | 460   | CONCRETE BARRIER RAIL  | 953.37<br>LF  |           |        |
| 0163   | 8559000000-E | SP    | CLASS II, SURFACE PREPARATION  | 59.2<br>SY    |           |        |
| 0164   | 8566000000-E | SP    | CLASS III, SURFACE PREPARATION                                       | 0.5<br>SY     |           |        |
| 0165   | 8608000000-E | 876   | RIP RAP CLASS II (2'-0" THICK)                                       | 1,390<br>TON  |           |        |
| 0166   | 8622000000-E | 876   | GEOTEXTILE FOR DRAINAGE  | 1,350<br>SY   |           |        |
| 0167   | 8657000000-N | 430   | ELASTOMERIC BEARINGS   | Lump Sum      | L.S.      |        |
| 0168   | 8660000000-E | SP    | CONCRETE REPAIRS   | 12.9<br>CF    |           |        |
| 0169   | 8664000000-E | SP    | SHOTCRETE REPAIRS  | 333.9<br>CF   |           |        |
| 0170   | 8678000000-E | SP    | EPOXY RESIN INJECTION  | 346.6<br>LF   |           |        |
| 0171   | 8860000000-N | SP    | GENERIC STRUCTURE ITEM PAINTING CONTAINMENT FOR BRIDGE #18           | Lump Sum      | L.S.      |        |
| 0172   | 8860000000-N | SP    | GENERIC STRUCTURE ITEM SPOT PAINTING OF STEEL STRUCTURE REPAIR AREAS | Lump Sum      | L.S.      |        |
| 0173   | 8860000000-N | SP    | GENERIC STRUCTURE ITEM VOLUMETRIC MIXER                              | Lump Sum      | L.S.      |        |
| 0174   | 8867000000-E | SP    | GENERIC STRUCTURE ITEM FOAM JOINT SEALS FOR PRESERVATION             | 162<br>LF     |           |        |

County : Davie

| Line # | Item Number  | Sec # | Description   | Quantity    | Unit Cost | Amount |
|--------|--------------|-------|---|-------------|-----------|--------|
| 0175   | 8881000000-E | SP    | GENERIC STRUCTURE ITEM<br>LATEX MODIFIED CONC OVERLAY -<br>VERY EARLY STRENGTH                      | 85.5<br>CY  |           |        |
| 0176   | 8882000000-E | SP    | GENERIC STRUCTURE ITEM<br>CONCRETE FOR DECK REPAIR  | 177.6<br>CF |           |        |
| 0177   | 8882000000-E | SP    | GENERIC STRUCTURE ITEM<br>ELASTOMERIC CONCRETE FOR<br>PRESERVATION                                  | 40.5<br>CF  |           |        |
| 0178   | 8889000000-E | SP    | GENERIC STRUCTURE ITEM<br>BEAM REPAIR   | 885<br>LB   |           |        |
| 0179   | 8892000000-E | SP    | GENERIC STRUCTURE ITEM<br>BRIDGE JOINT DEMOLITION   | 162<br>SF   |           |        |
| 0180   | 8892000000-E | SP    | GENERIC STRUCTURE ITEM<br>CONCRETE WORK FOR JOINT<br>REPLACEMENT                                    | 162<br>SF   |           |        |
| 0181   | 8892000000-E | SP    | GENERIC STRUCTURE ITEM<br>EPOXY COATING   | 789<br>SF   |           |        |
| 0182   | 8893000000-E | SP    | GENERIC STRUCTURE ITEM<br>HYDRO-DEMOLITION OF BRIDGE<br>DECK  | 1,435<br>SY |           |        |
| 0183   | 8893000000-E | SP    | GENERIC STRUCTURE ITEM<br>PLACING & FINISHING OF LATEX<br>MOD CONC OVERLAY - VERY EARLY<br>STRENGTH | 1,435<br>SY |           |        |
| 0184   | 8893000000-E | SP    | GENERIC STRUCTURE ITEM<br>SCARIFYING BRIDGE DECK  | 1,435<br>SY |           |        |
| 0185   | 8897000000-N | SP    | GENERIC STRUCTURE ITEM<br>CLEANING & PAINTING EXISTING<br>BEARINGS WITH HRCSA                       | 64<br>EA    |           |        |
| 0186   | 8897000000-N | SP    | GENERIC STRUCTURE ITEM<br>TYPE I BRIDGE JACKING BRIDGE<br>#18                                       | 2<br>EA     |           |        |

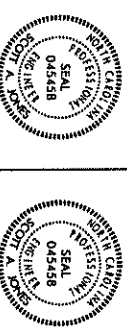
PROJECT REFERENCE NO. 1-5823

RAW SHEET NO. 2A-3

SHEET NO. 2A-3

ROADWAY DESIGN ENGINEER

PAVEMENT DESIGN ENGINEER



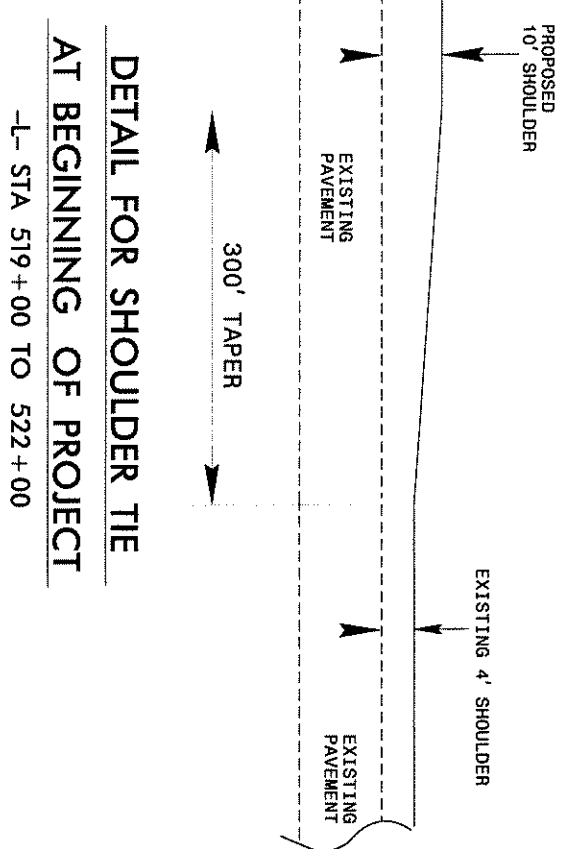
Soth Jmalls 1/4/2015

Soth Jmalls 1/4/2015

DOCUMENT NOT CONSIDERED FINAL UNLESS ALL SIGNATURES COMPLETED

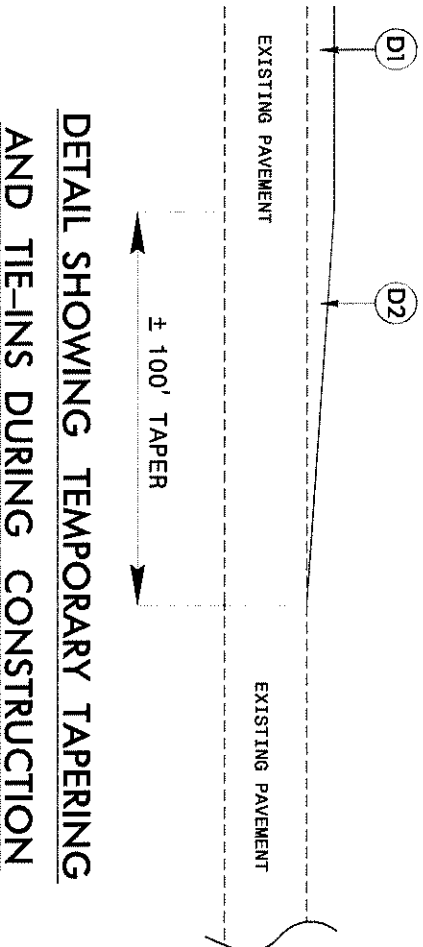
PAVEMENT SCHEDULE

|    |  |
|----|--|
| C1 | 3" S9.5D   |
| C2 | 1 1/2" S9.5C   |
| C3 | VAR. DEPTH S9.5C   |
| D1 | 3" I19.0C  |
| D2 | VAR. DEPTH I19.0C  |
| E1 | 10" B25.0C   |
| E2 | VAR. DEPTH B25.0C  |
| E3 | 7" B25.0C  |
| R  | SHOULDER BERM GUTTER   |
| R1 | REPAIR OF CONTINUOUSLY REINFORCED CONC. PAVEMENT (SEE SPECIAL DETAIL 2C-1) |
| R2 | 10" CONCRETE SLEEPER SLAB  |
| R3 | EXPRESSWAY GUTTER  |
| T  | EARTH MATERIAL   |
| U  | EXISTING PAVEMENT  |
| V  | GEOTEXTILE FOR SOIL STABILIZATION  |



DETAIL FOR SHOULDER TIE AT BEGINNING OF PROJECT

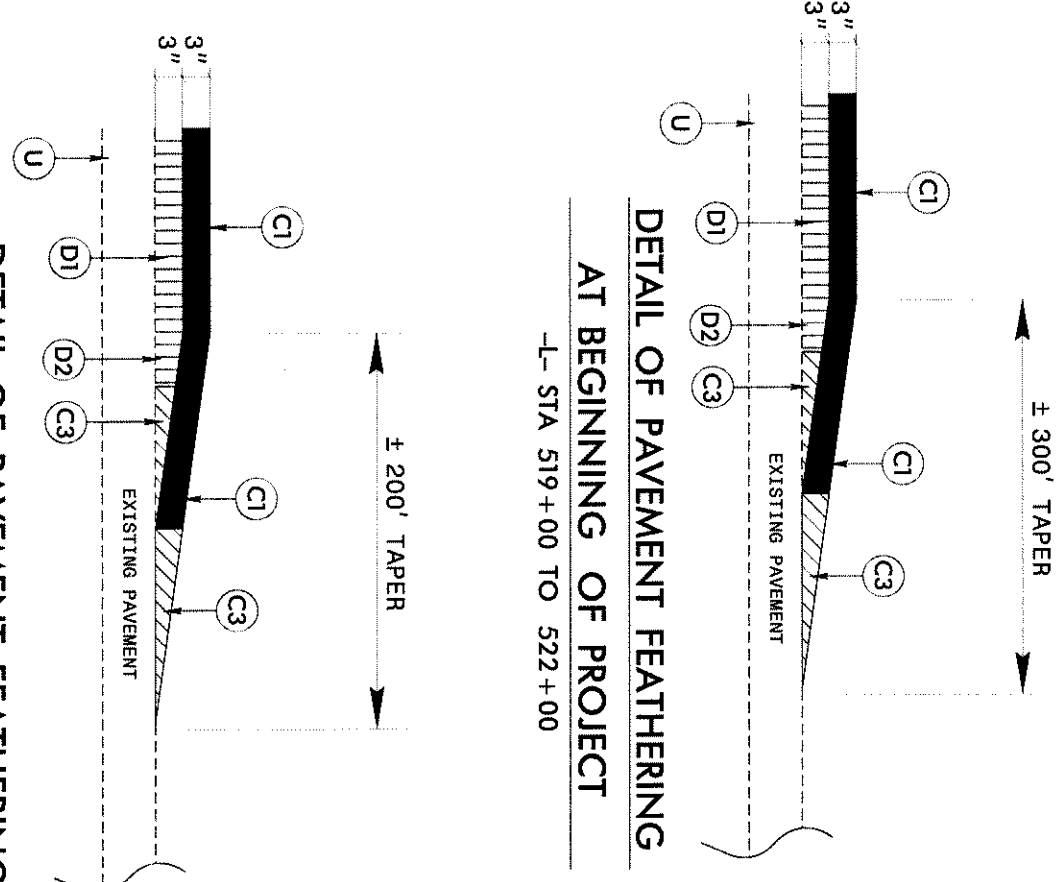
-L- STA 519+00 TO 522+00



DETAIL SHOWING TEMPORARY TAPERING AND TIE-INS DURING CONSTRUCTION

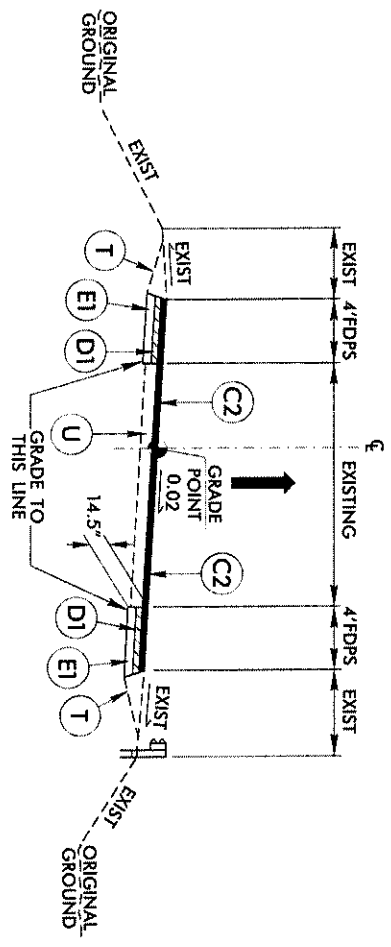
DETAIL OF PAVEMENT FEATHERING AT BEGINNING OF PROJECT

-L- STA 519+00 TO 522+00



DETAIL OF PAVEMENT FEATHERING NOTE : TIE RAMPS IN AT THE BACK OF GORE

RAMP TYPICAL SECTION



NOTE: APPLY TYPICAL TO HWY 64 RAMPS (EXIT 168)