

SIGN NUMBER: SP13107 BACKG COLOR: Fluorescent Orange
 TYPE: STATIONARY COPY COLOR: Black
 QUANTITY: SEE PLANS

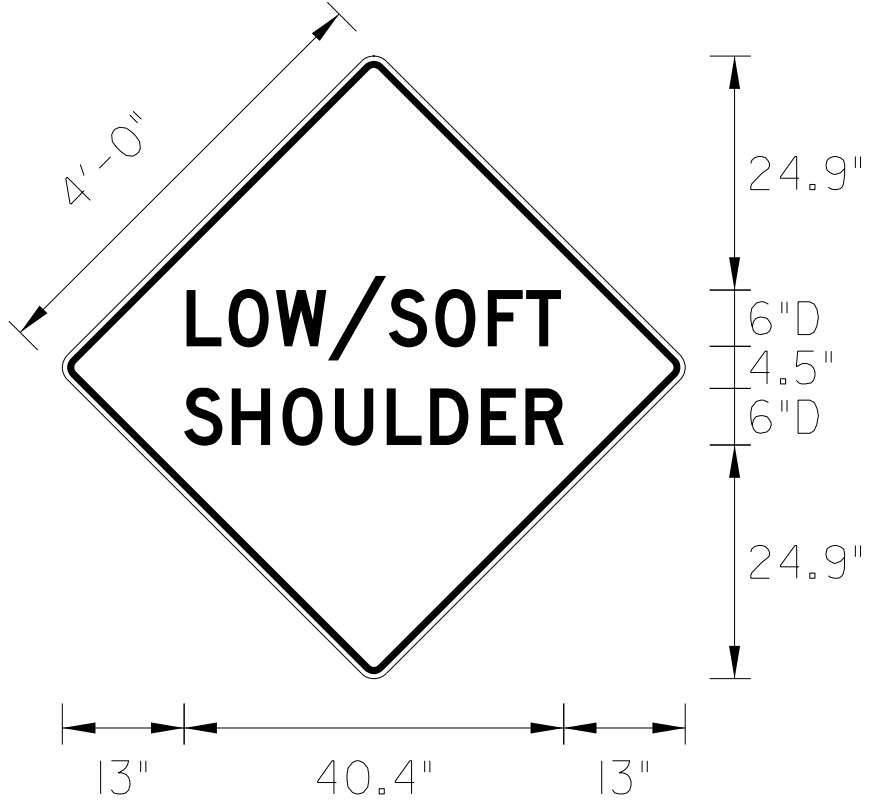
SYMBOL	X	Y	WID	HT

SIGN WIDTH: 4'-0"
 HEIGHT: 4'-0"
 TOTAL AREA: 16.00 Sq.Ft.

BORDER TYPE: INSET
 RECESS: 0.75"
 WIDTH: 1.25"
 RADII: 3"

NO. Z BARS: MAT'L: 0.080" (2.0 mm) ALUMINUM
 LENGTH:

DESIGN BY: B. RASHID CHECKED BY: AIA DATE: Apr 26, 2013
 PROJECT ID: DIV:



Spacing Factor is 1 unless specified otherwise

USE NOTES: 1,2

1. Legend and border shall be direct applied black non-reflective sheeting.
2. Background shall be NC GRADE B fluorescent orange retroreflective sheeting.

LETTER POSITIONS

Letter spacings are to start of next letter											Series/Size	
											Text Length	
	L	O	W	/	S	O	F	T				D 2000
13.2	4.5	5	5.5	6.5	5	5.6	4.1	3.7	13.2			39.9
	S	H	O	U	L	D	E	R				D 2000
13	5.1	5.4	5.6	5.5	4.6	5.4	4.7	4.1	13			40.4