

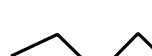


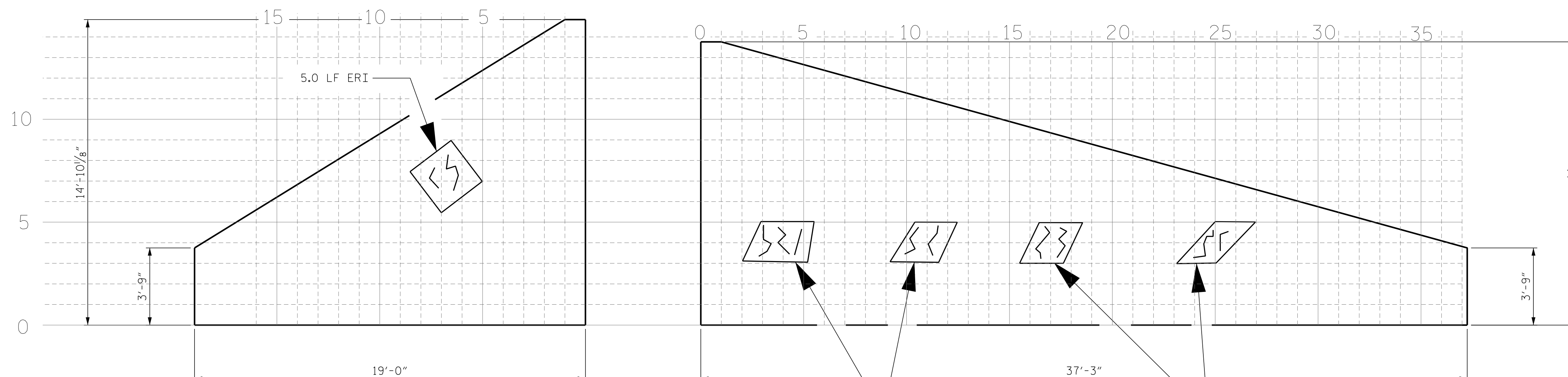
AS-BUILT REPAIR QUANTITY TABLE

	QUANTITIES			
	ESTIMATE		ACTUAL	
SHOTCRETE REPAIRS	AREA SQ. FT.	VOLUME CU. FT.	AREA SQ. FT.	VOLUME CU. FT.
UPSTREAM FACE	1.5	0.8		
CONCRETE REPAIRS	VOLUME CU. FT.		VOLUME CU. FT.	
UPSTREAM FACE	0.0			
EPOXY RESIN INJECTION	LIN. FT.		LIN. FT.	
UPSTREAM FACE	12.0			

NOTES

- VALUES IN CHART REPRESENT ESTIMATED REPAIR TOTALS AFTER REMOVAL OF UNSOUND CONCRETE, MINIMUM OF 1" BEHIND REBAR AND MINIMUM 2" CLEARANCE TO SAWCUT. FOR REPAIR DETAILS, SEE "TYPICAL REPAIR DETAILS" SHEET.
- REPAIR LOCATIONS AND ESTIMATE OF QUANTITIES ARE BASED ON THE BEST INFORMATION AVAILABLE. IF ADDITIONAL REPAIRS NOT SHOWN ON THE DRAWINGS ARE DEEMED NECESSARY BY THE ENGINEER, THE ENGINEER WILL NOTE ON THE DRAWINGS THE APPROXIMATE LOCATION AND DESCRIPTION OF THE REPAIRS AND ENTER THE ACTUAL QUANTITIES INTO THE AS-BUILT REPAIR QUANTITY TABLE.
- CONCRETE REPAIRS MAY BE SUBSTITUTED IN LIEU OF SHOTCRETE REPAIRS WITH THE APPROVAL OF THE ENGINEER.
- SEE SHEET S-22 FOR CONCRETE REPAIR DETAILS.

-  = SHOTCRETE REPAIR AREA
-  = CONCRETE REPAIR AREA
-  = EPOXY RESIN INJECTION (ERI)



4 AREAS
TOTAL = 12.0 LF ERI
1.5 SF SHOTCRETE REPAIR

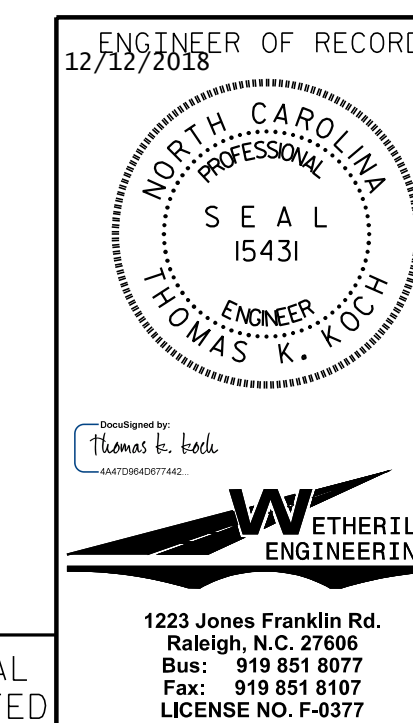
PROJECT NO. 15BPR.32

AVERY COUNTY

STRUCTURE: 050031

SHEET 8 OF 8

UPSTREAM FACE



STATE OF NORTH CAROLINA
DEPARTMENT OF TRANSPORTATION
RALEIGH

UPSTREAM
WING FACES

REVISIONS

NO.	BY:	DATE:	NO.	BY:	DATE:
1			3		
2			4		

SHEET NO.
S-15
TOTAL SHEETS
23

DRAWN BY : A. KLINK DATE : 07/18
CHECKED BY : T. KOCH DATE : 08/18

DOCUMENT NOT CONSIDERED FINAL
UNLESS ALL SIGNATURES COMPLETED

P:\2018\18153.22_15BPR.32_MCDOT Culvert Preservation\DWG\AVERY_050031\Avery_31_CULVERT_PLAN.dgn
 12/12/2018 2:11:48 PM