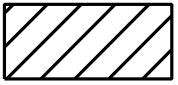
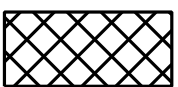
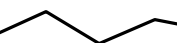


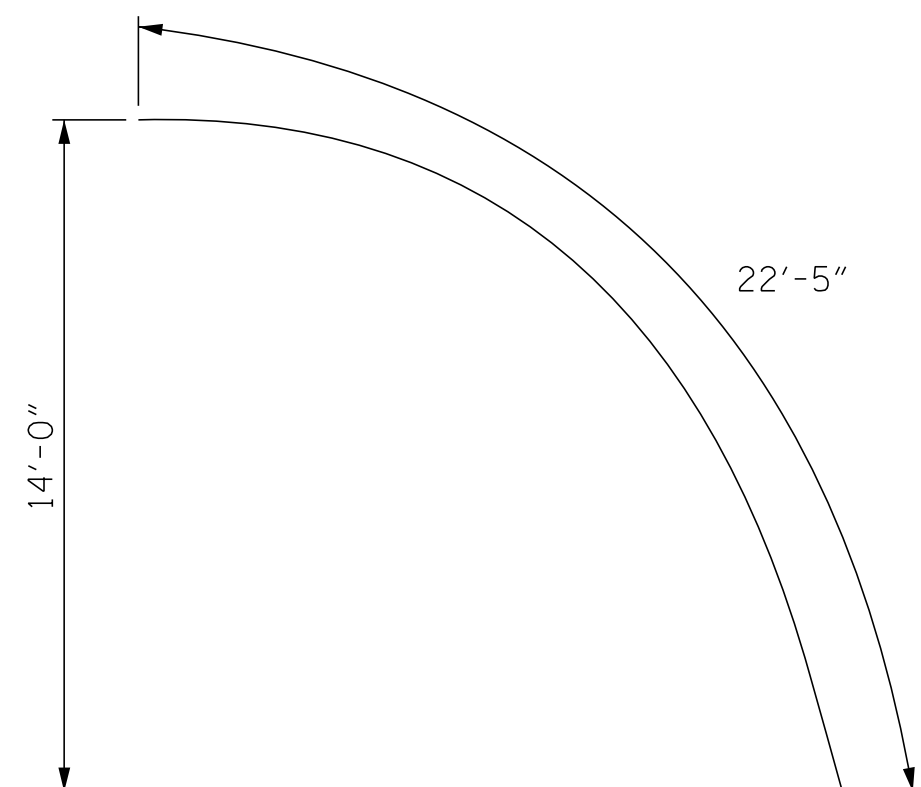
NOTES

- VALUES IN CHART REPRESENT ESTIMATED REPAIR TOTALS AFTER REMOVAL OF UNSOUND CONCRETE, MINIMUM OF 1" BEHIND REBAR AND MINIMUM 2" CLEARANCE TO SAWCUT. FOR REPAIR DETAILS, SEE "TYPICAL REPAIR DETAILS" SHEET
- REPAIR LOCATIONS AND ESTIMATE OF QUANTITIES ARE BASED ON THE BEST INFORMATION AVAILABLE. IF ADDITIONAL REPAIRS NOT SHOWN ON THE DRAWINGS ARE DEEMED NECESSARY BY THE ENGINEER, THE ENGINEER WILL NOTE ON THE DRAWINGS THE APPROXIMATE LOCATION AND DESCRIPTION OF THE REPAIRS AND ENTER THE ACTUAL QUANTITIES INTO THE AS-BUILT REPAIR QUANTITY TABLE.
- CONCRETE REPAIRS MAY BE SUBSTITUTED IN LIEU OF SHOTCRETE REPAIRS WITH THE APPROVAL OF THE ENGINEER.
- SEE SHEET S-22 FOR CONCRETE REPAIR DETAILS.

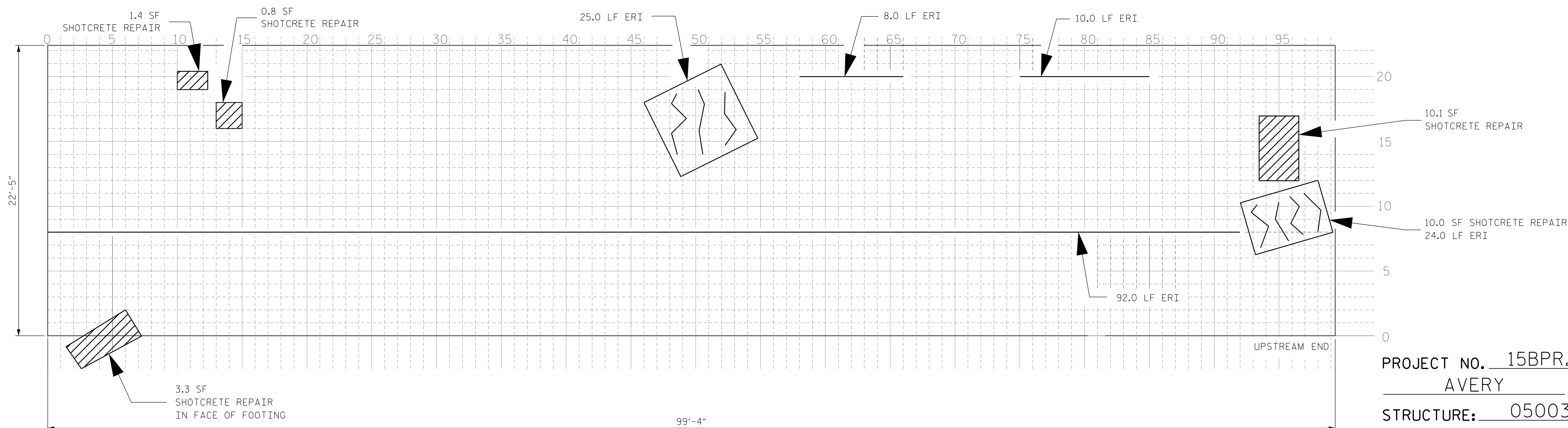
AS-BUILT REPAIR QUANTITY TABLE

	QUANTITIES			
	ESTIMATE		ACTUAL	
SHOTCRETE REPAIRS	AREA SQ. FT.	VOLUME CU. FT.	AREA SQ. FT.	VOLUME CU. FT.
BARREL NORTH WALL	25.6	12.8		
CONCRETE REPAIRS	VOLUME CU. FT.		VOLUME CU. FT.	
BARREL NORTH WALL	0.0			
EPOXY RESIN INJECTION	LIN. FT.		LIN. FT.	
BARREL NORTH WALL	159.0			

-  = SHOTCRETE REPAIR AREA
-  = CONCRETE REPAIR AREA
-  = EPOXY RESIN INJECTION (ERI)



UNWRAPPED ARCH WALL DETAIL



NORTH WALL

PROJECT NO. 15BPR.32
 AVERY COUNTY
 STRUCTURE: 050031
 SHEET 3 OF 8

P:\2018\18153.22_15BPR.32_MCDOT_Culvert_Preservation\DWG\AVERY_050031\Avery_31_CULVERT_PLAN.dgn
 12/12/2018 2:05:58 PM


DRAWN BY : A. KLINK DATE : 07/18
 CHECKED BY : T. KOCH DATE : 08/18

DOCUMENT NOT CONSIDERED FINAL
 UNLESS ALL SIGNATURES COMPLETED

12/12/2018 ENGINEER OF RECORD



Developed by
 Thomas K. Koch



1223 Jones Franklin Rd.
 Raleigh, N.C. 27606
 Bus: 919 851 8077
 Fax: 919 851 8107
 LICENSE NO. F-0377

STATE OF NORTH CAROLINA
 DEPARTMENT OF TRANSPORTATION
 RALEIGH

BARREL NORTH WALL

REVISIONS					
NO.	BY:	DATE:	NO.	BY:	DATE:
1			3		
2			4		

SHEET NO. S-10
 TOTAL SHEETS 23