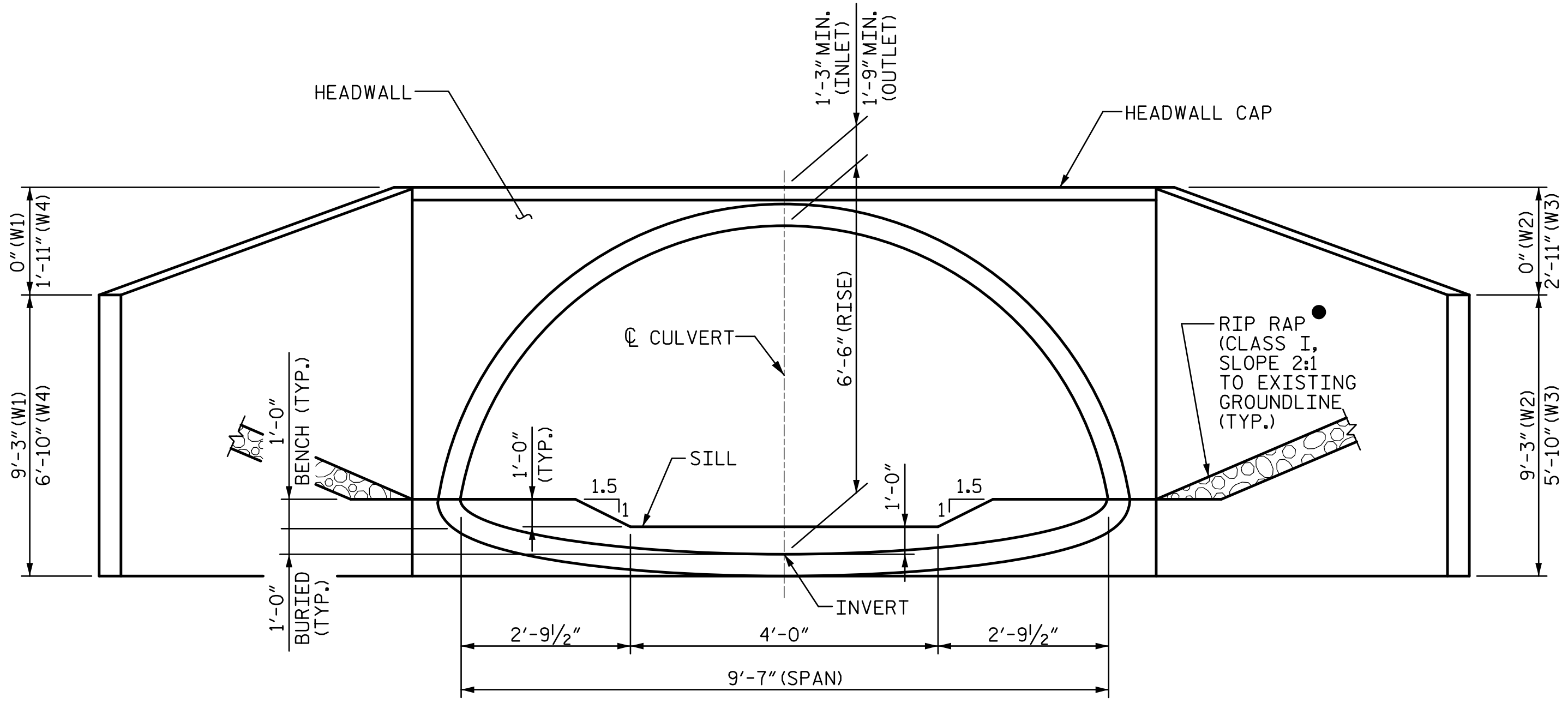
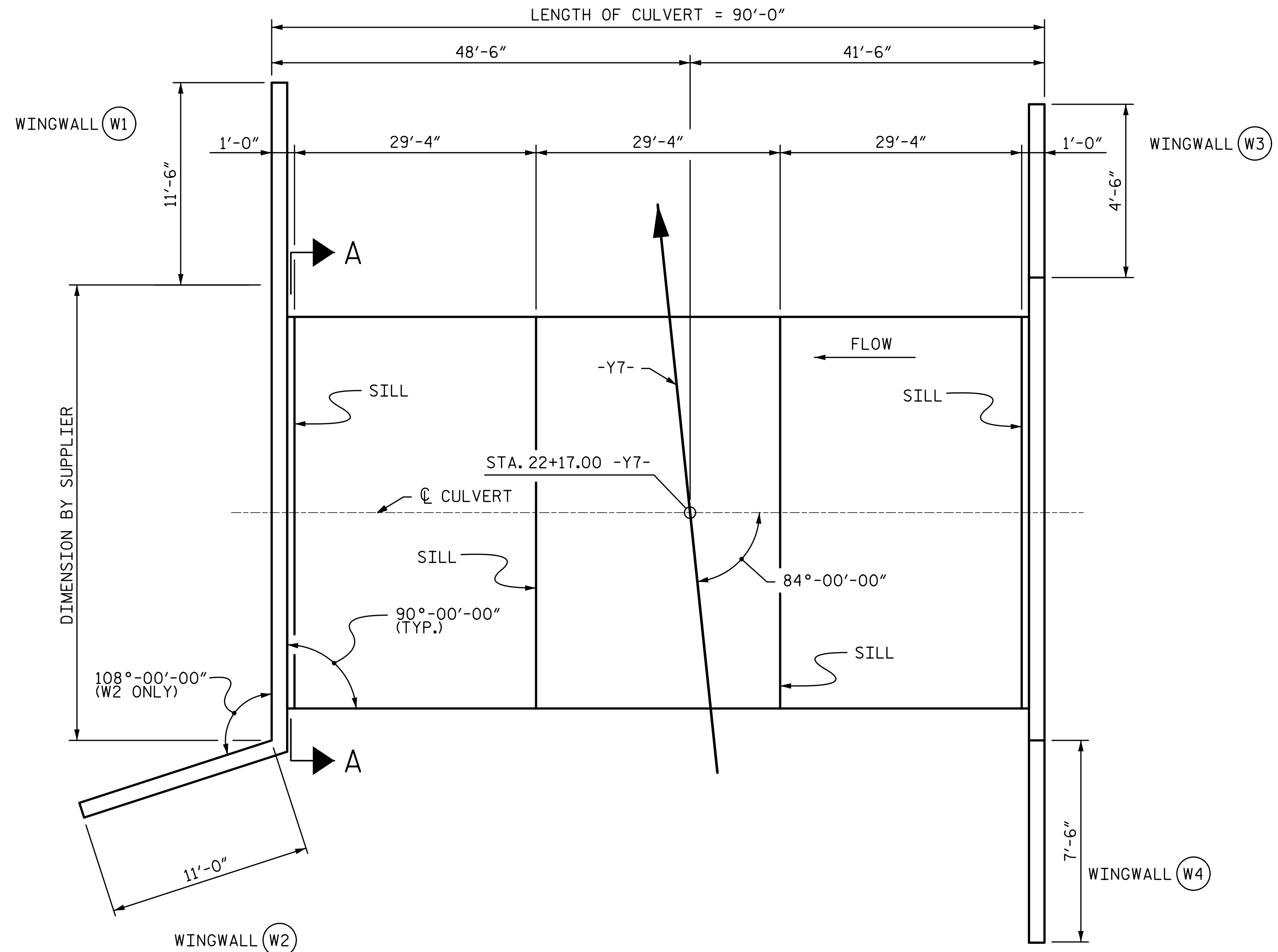


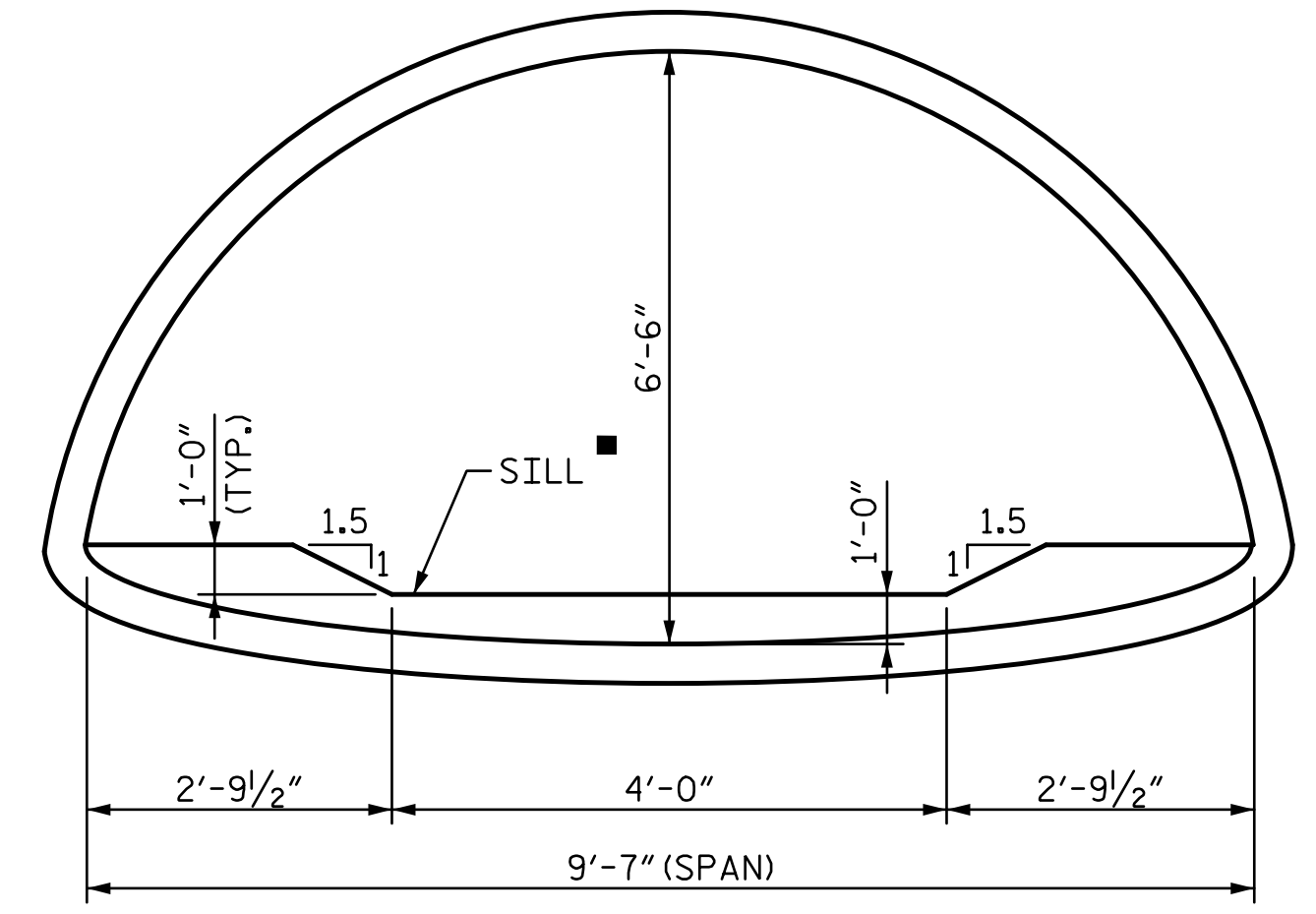
**CULVERT SECTION NORMAL TO ROADWAY**



**END ELEVATION NORMAL TO SKEW**



**LENGTH FOR ALUMINUM STRUCTURAL PLATE ARCH CULVERT**

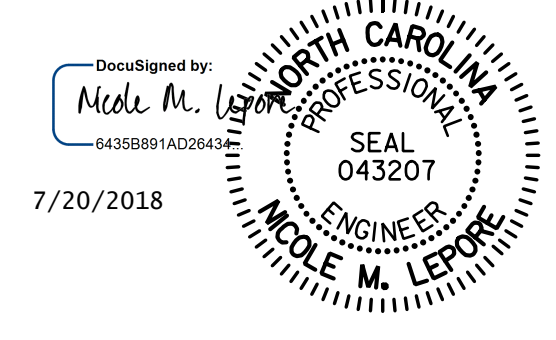


**SECTION A-A**

TYPICAL EACH SILL LOCATION

■ CULVERT TO BE FILLED WITH NATIVE STREAM BED MATERIAL TO TOP OF SILLS.

PROJECT NO. U-5840  
HENDERSON COUNTY  
 STATION: 22+17.00 -Y7-  
 SHEET 2 OF 2



**STV** 100 YEARS  
 STV ENGINEERS, INC.  
 900 West Trade St., Suite 715  
 Charlotte, NC 28202  
 NC License Number F-0991

DOCUMENT NOT CONSIDERED FINAL UNLESS ALL SIGNATURES COMPLETED

STATE OF NORTH CAROLINA  
 DEPARTMENT OF TRANSPORTATION  
 RALEIGH  
**SINGLE**  
**9'-7" X 6'-6"**  
**ALUMINUM STRUCTURAL**  
**PLATE ARCH CULVERT**  
**84°-00'-00" SKEW**

REVISIONS				SHEET NO.
NO.	BY:	DATE:	NO.	DATE:
1			3	
2			4	

C-2  
 TOTAL SHEETS  
 2

R:\Structures\Station\Finals\Culvert\U-5840 Culvert Sheet 2.dgn 7/20/2018 8:17:07 AM

DRAWN BY : ATH DATE : 01-18  
 CHECKED BY : MLO DATE : 01-18  
 DESIGN ENGINEER OF RECORD : NML DATE : 02-18