

OWNER TYPICAL DETAILS

STV 100 Years
 STV Engineers, Inc.
 800 West Trade St., Suite 715
 Charlotte, NC 28202
 NC License Number F-0991

**DOCUMENT NOT CONSIDERED FINAL
 UNLESS ALL SIGNATURES COMPLETED**

DESIGNED BY: CTH
 DRAWN BY: CTH
 CHECKED BY: ASV
 APPROVED BY: XMD
 REVISED:

NORTH CAROLINA
 DEPARTMENT OF
 TRANSPORTATION

UTILITIES ENGINEERING SEC.
 PHONE: (919) 707-6690
 FAX: (919) 250-4151

UTILITY CONSTRUCTION
 PLANS ONLY

PROJECT REFERENCE NO. **U-5840**

SHEET NO. **UC-3F**

DESIGNED BY: CTH

DRAWN BY: CTH

CHECKED BY: ASV

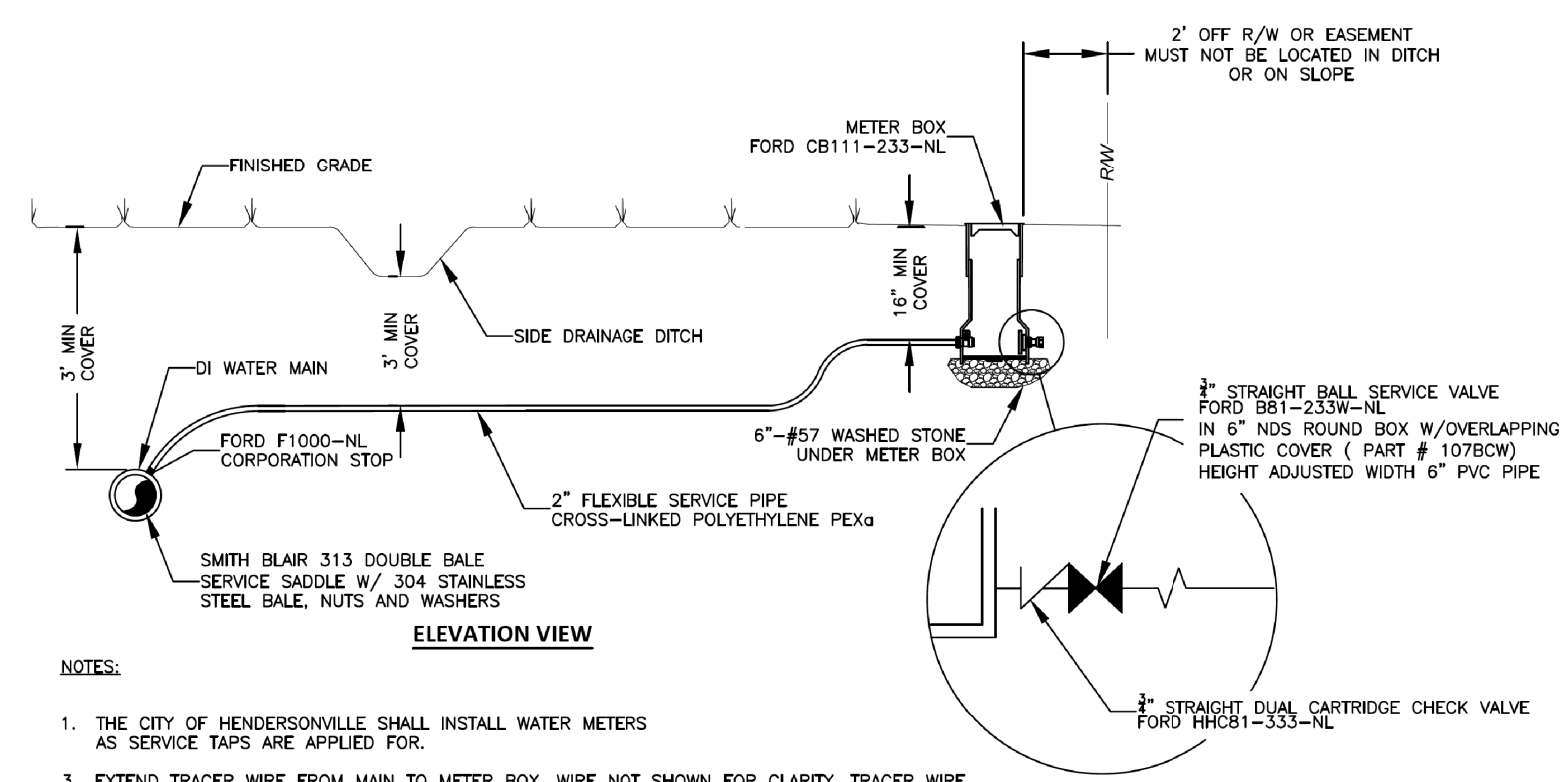
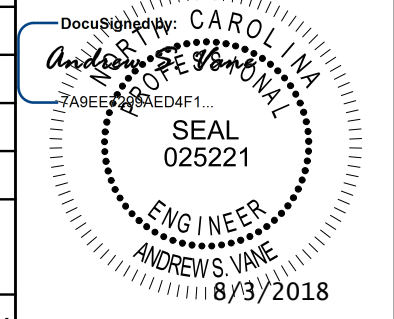
APPROVED BY: XMD

REVISED:

NORTH CAROLINA
 DEPARTMENT OF
 TRANSPORTATION

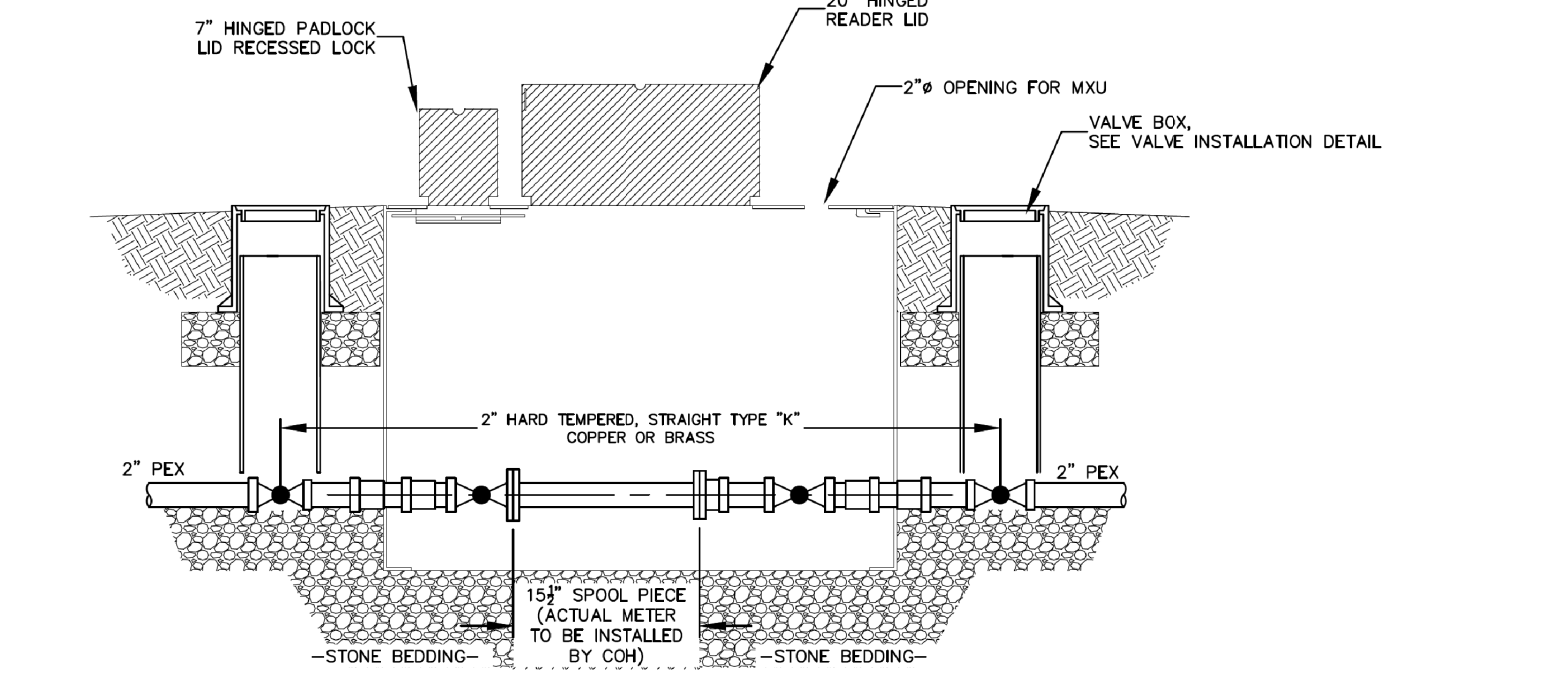
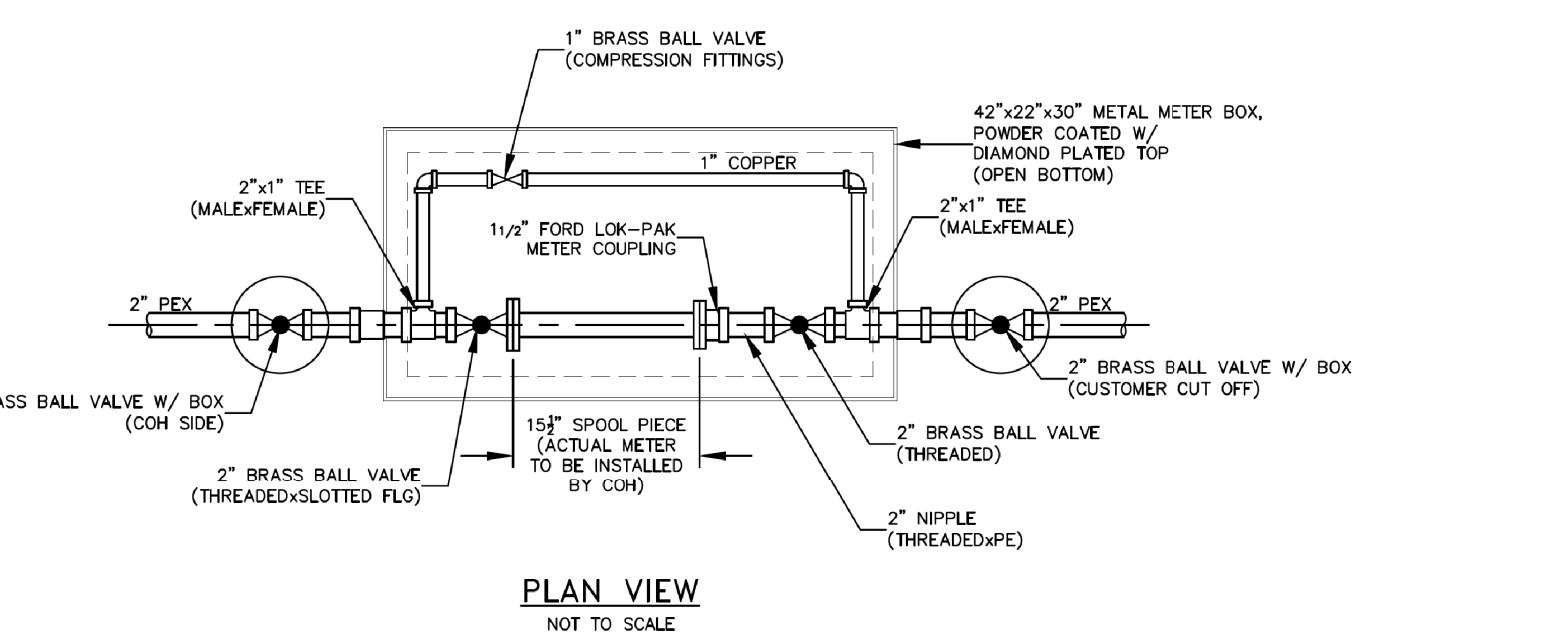
UTILITIES ENGINEERING SEC.
 PHONE: (919) 707-6690
 FAX: (919) 250-4151

UTILITY CONSTRUCTION
 PLANS ONLY

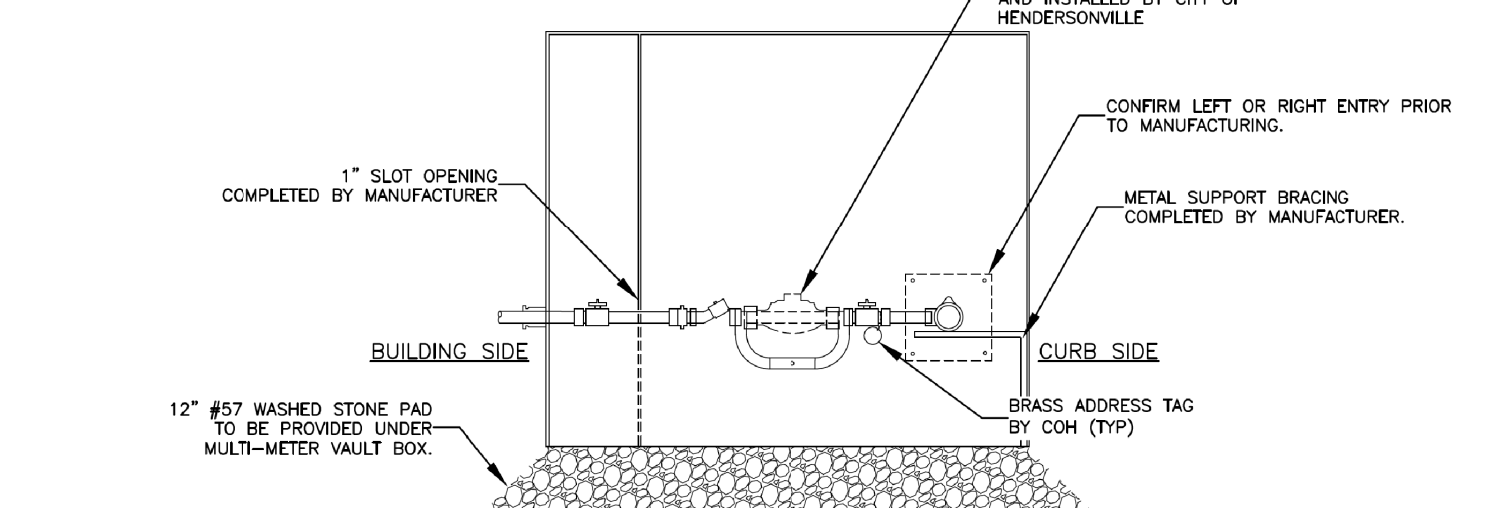
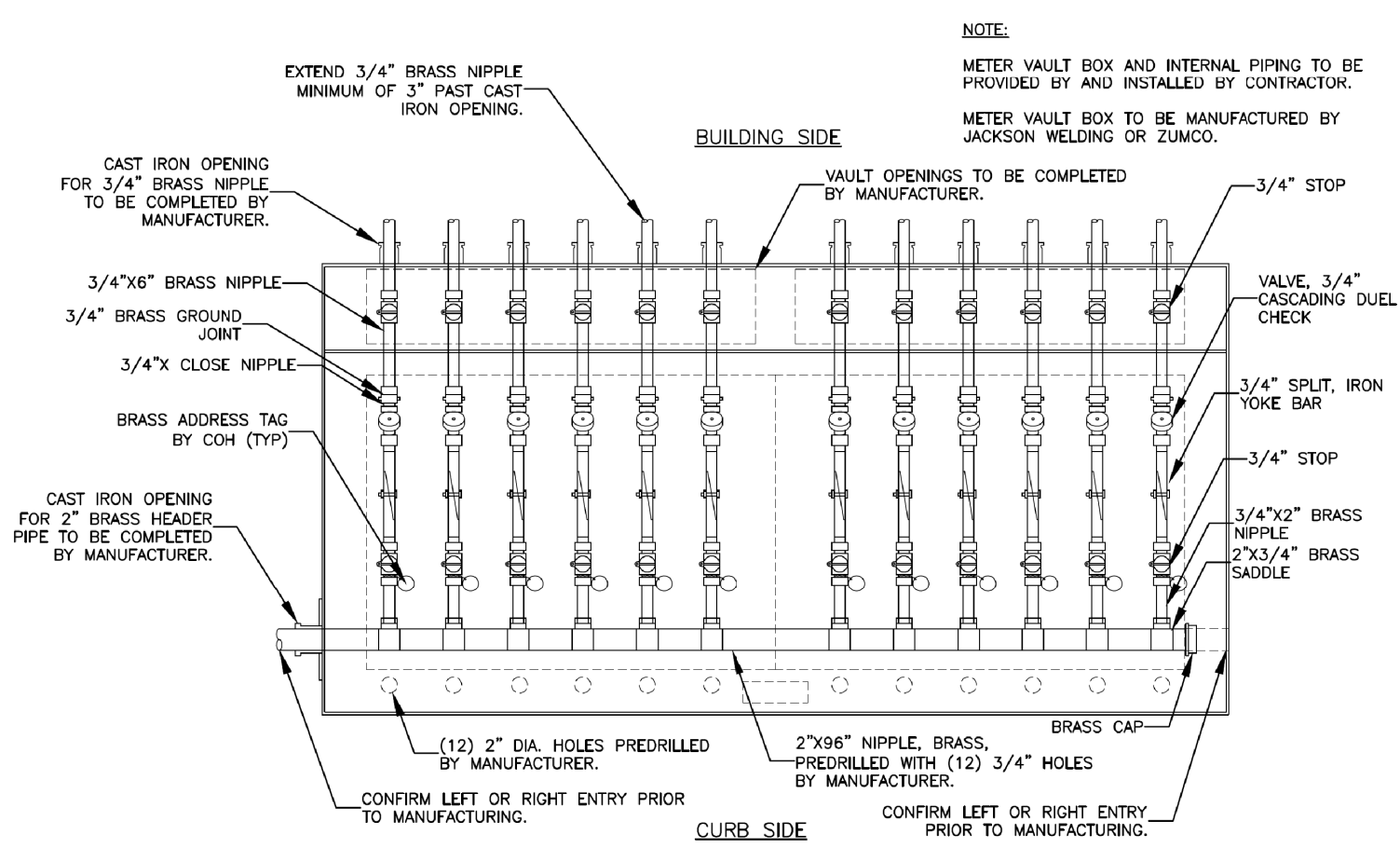


- NOTES:
- THE CITY OF HENDERSONVILLE SHALL INSTALL WATER METERS AS SERVICE TAPS ARE APPLIED FOR.
 - EXTEND TRACER WIRE FROM MAIN TO METER BOX. WIRE NOT SHOWN FOR CLARITY. TRACER WIRE WILL BE A 19 GAUGE, TIN COATED, COPPER CONDUCTOR WITH POLYETHYLENE INSULATION, CORE MATERIAL COMPOSED OF HIGH-TENSILITY, WOVEN POLYESTER WITH WATER BLOCKING HARNIS ENCAPSULATED IN 30 MIL. BLUE HOPE JACKET, PROVIDING CORROSION RESISTANCE, FLEXIBILITY, IMPACT STRENGTH AND 1800 LBS. TENSILE STRENGTH. TRACER WIRE WILL NOT CONDUCT AN ELECTRICAL CURRENT WHEN STRUCK BY LIGHTNING AND IS DESIGNED FOR DIRECT BURY AND DIRECTIONAL BORING APPLICATIONS. WHEN SPLICES AND LATERAL CONNECTIONS ARE MADE, ONLY GEL FILLED CONNECTORS DESIGNED FOR WIRE WITH WOVEN POLYESTER FIBER CORE ARE TO BE USED. TRACER WIRE SHALL BE TERMINATED IN METER BOX AT MOUNTED TRACE-SAFE® LOCATING CLIP, MOUNTED A MAXIMUM OF 3" FROM TOP OF BOX WITH 304 SS BOLT. TRACER WIRE AND CONNECTORS SHALL BE TRACE-SAFE® WATER BLOCKING TRACER WIRE AND RELATED CONNECTORS, MANUFACTURED BY NEPTCO, INC., OR EQUIVALENT APPROVED BY ENGINEER, AND PRODUCED IN THE UNITED STATES OF AMERICA.

9 2" SERVICE LATERAL INSTALLATION
 WD-3 NOT TO SCALE 04/04/18



10 2" METER BOX
 WD-3 NOT TO SCALE 04/04/18

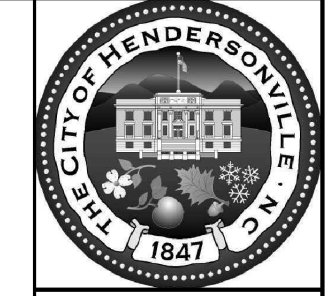


MULTI-METER VAULT ASSEMBLY PARTS LIST

QUANTITY	DESCRIPTION	CITY PART NUMBER
1 EA.	2"X98" NIPPLE, BRASS	
12 EA.	2"X3/4" NPT SADDLE, BRASS NL	N-3686-12
12 EA.	3/4"x CLOSE NIPPLE, BRASS NL	N-3710-13
12 EA.	3/4"x2" NIPPLE, BRASS NL	N-3710-17
12 EA.	3/4"x6" NIPPLE, BRASS NL	N-3710-17
12 EA.	3/4"x12" NIPPLE, BRASS NL	N-3710-23
12 EA.	3/4" YOKE ERON YOKE BAR, SPLIT, 2-PIECE Y503	Y-0504-02
12 EA.	STOP, 3/4" STRAIGHT BALL VALVE FOR YOKE NL	S-7915-33
12 EA.	VALVE, 3/4" CASCADING DUEL CHECK, NL	V-0494-33
12 EA.	UNION, 3/4" BRASS GROUND JOINT, NL	U-5435-00
12 EA.	STOP, 3/4" CURB VALVE, MALE, NL	S-7915-00
1 EA.	CAP, 2" PIPE, BRASS NL	C-0882-08

- NOTES:
- COH WILL PROVIDE STAMPED ADDRESS TAGS.
 - THE CONTRACTOR WILL PROVIDE A LICENSED PLUMBER TO VERIFY LINE SERVICES IN ALL MULTI-METER BOXES.

11 MULTI-METER VAULT ASSEMBLY DETAIL
 WD-3 NOT TO SCALE 04/04/18



CITY OF HENDERSONVILLE, NC
 "The City of Four Seasons"

City of Hendersonville Engineering Department
 1000 W. Trade Street, Suite 200
 Hendersonville, NC 28926
 (828) 697-3000 (office)
 (828) 697-3000 (fax)
 www.hendersonville-nc.gov

**CITY OF HENDERSONVILLE
 STANDARD WATER DETAILS**

CITY OF HENDERSONVILLE
 HENDERSON COUNTY, NORTH CAROLINA

NO.	DATE	DESCRIPTION	BY

DATE: MARCH 23, 2018
 DRAWN BY: MMP
 PROJECT NO.:

WD-3

DISCLAIMER:
 THE STANDARD WATER DETAILS ARE FOR THE SOLE USE OF PROJECTS DIRECTLY FOR OR THOSE PROJECTS IN WHICH OWNERSHIP WILL BE TRANSFERRED TO THE CITY OF HENDERSONVILLE. THESE TYPICALS ARE INTENDED TO SHOW THE CITY OF HENDERSONVILLE'S EXPECTATIONS FOR THE GENERAL LAYOUT, ARRANGEMENT, AND THE QUALITY OF EQUIPMENT AND MATERIALS FOR WATER DISTRIBUTION SYSTEM ITEMS AND THEIR RELATED APPURTENANCES. IT REMAINS THE SOLE RESPONSIBILITY OF THE ENGINEER IN RESPONSIBLE CHARGE (ERIC) OF EACH APPLICATION TO DETERMINE, DESIGN, TO, AND CERTIFY TO THE DESIGN PARAMETERS FOR EACH INSTALLATION. THE ERIC MUST ALSO ENSURE THE DESIGN COMPLIES WITH THE MINIMUM DESIGN CRITERIA OF NC DIVISION OF ENVIRONMENTAL QUALITY AND ALL LOCAL AND STATE LAWS AND REGULATIONS.