

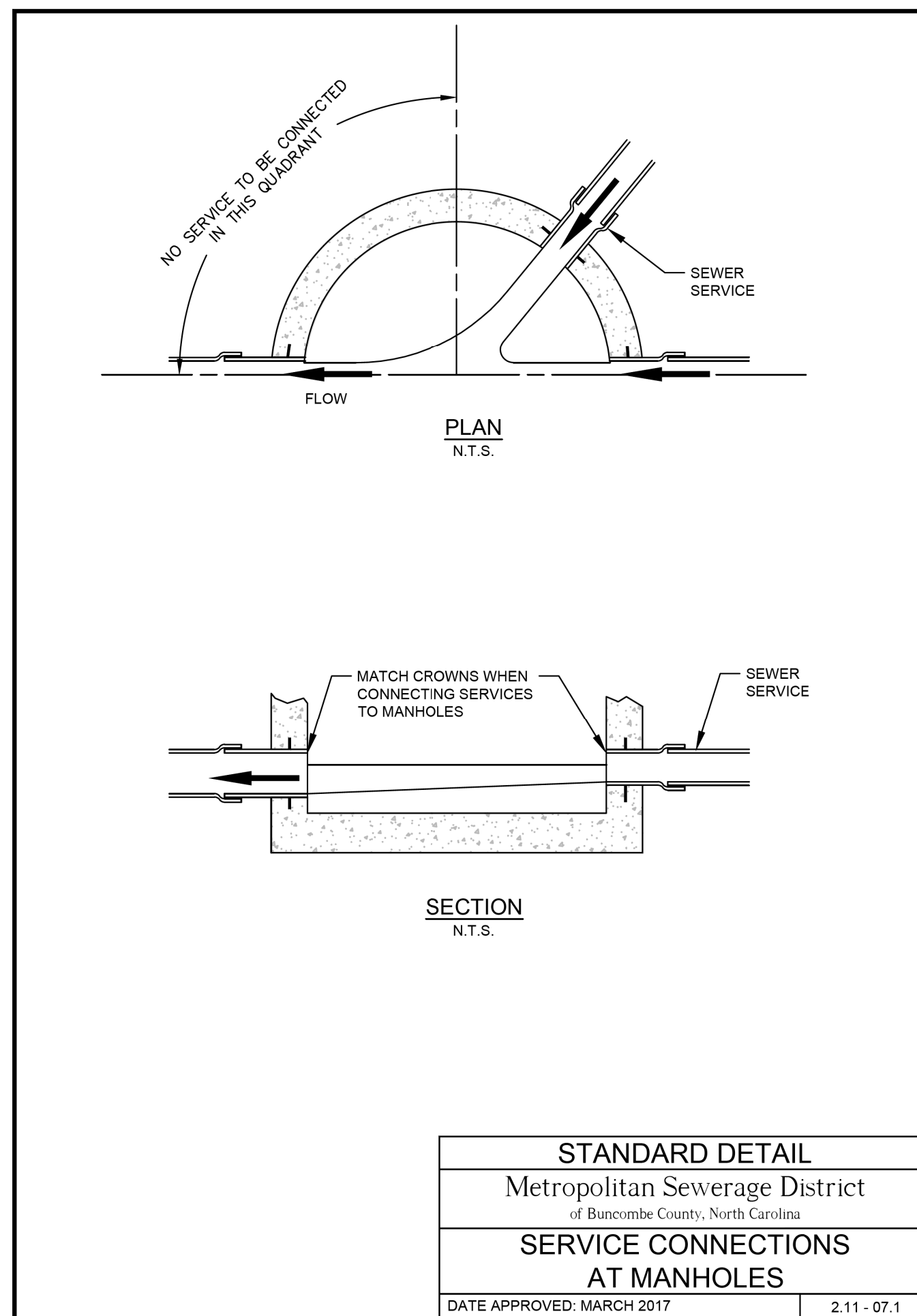
OWNER TYPICAL DETAILS

PROJECT REFERENCE NO. U-5840	SHEET NO. UC-3C
DESIGNED BY: CTH	
DRAWN BY: CTH	
CHECKED BY: ASV	
APPROVED BY: XMD	
REVISED:	
NORTH CAROLINA DEPARTMENT OF TRANSPORTATION	
UTILITIES ENGINEERING SEC. PHONE: (919) 707-6690 FAX: (919) 250-4151	UTILITY CONSTRUCTION PLANS ONLY

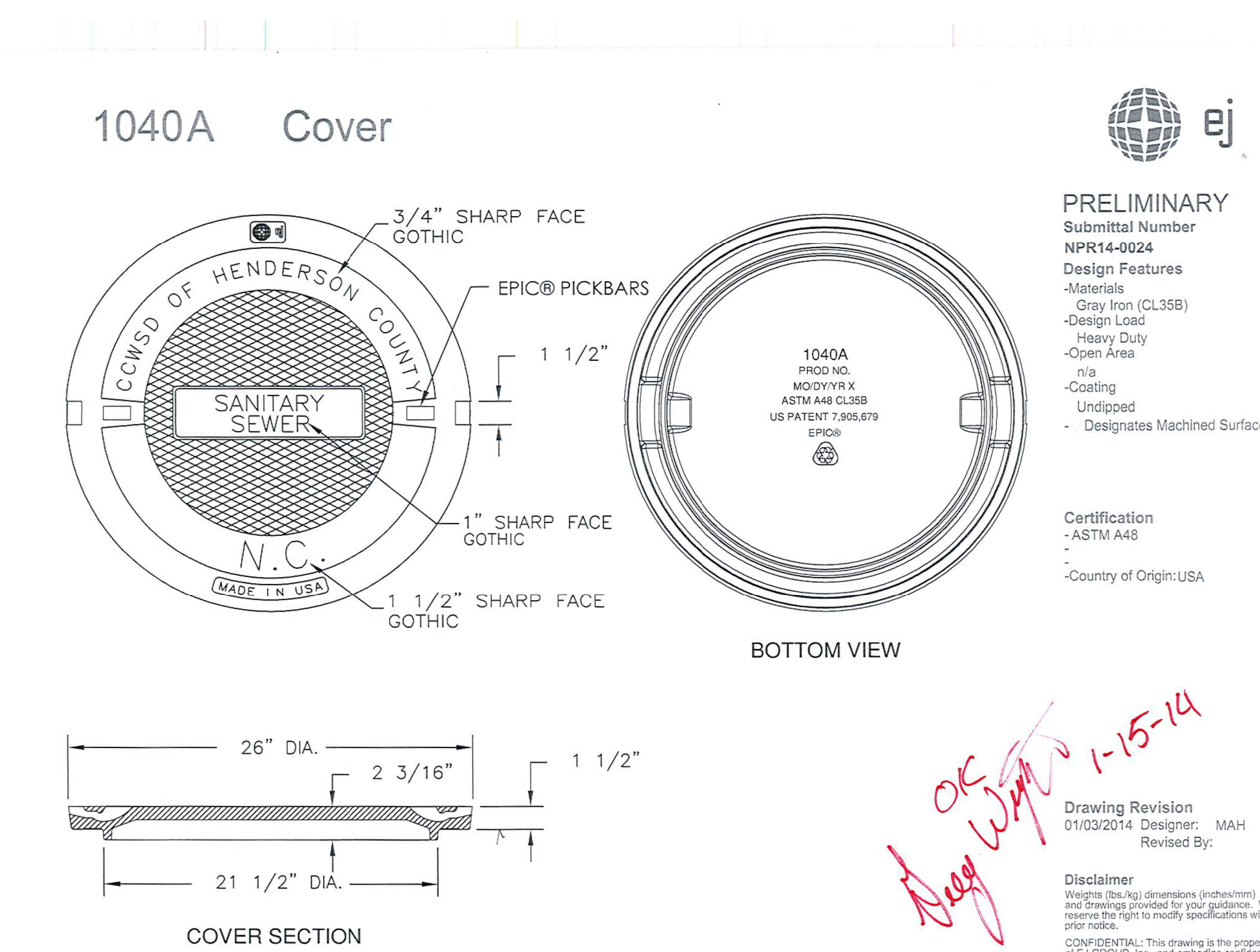
UTILITY CONSTRUCTION

STV Engineers, Inc.
 900 West Trade St., Suite 715
 Charlotte, NC 28202
 NC License Number F-0991

**DOCUMENT NOT CONSIDERED FINAL
UNLESS ALL SIGNATURES COMPLETED**



STANDARD DETAIL	
Metropolitan Sewerage District of Buncombe County, North Carolina	
SERVICE CONNECTIONS AT MANHOLES	
DATE APPROVED: MARCH 2017	2.11 - 07.1



PRELIMINARY
 Submittal Number
NPR14-0024
 Design Features
 -Materials
 -Gray Iron (CL35B)
 -Design Load
 -Heavy Duty
 -Open Area
 -1/8"
 -Coating
 -Undipped
 - Designates Machined Surface

Certification
 - ASTM A48
 -
 -Country of Origin: USA

*OK
Nagy W... 1-15-14*

Drawing Revision
 01/03/2014 Designer: MAH
 Revised By:

Disclaimer
 Weights (lbs, kg) dimensions (inches/mm) and drawings provided for your guidance. We reserve the right to modify specifications without prior notice.
 CONFIDENTIAL: This drawing is the property of EJ GROUP, Inc. and embodies confidential information, registered marks, patents, trade secret information, and/or know how that is the property of EJ GROUP, Inc. All rights reserved.
 Contact
 800 628 4653
 ejco.com