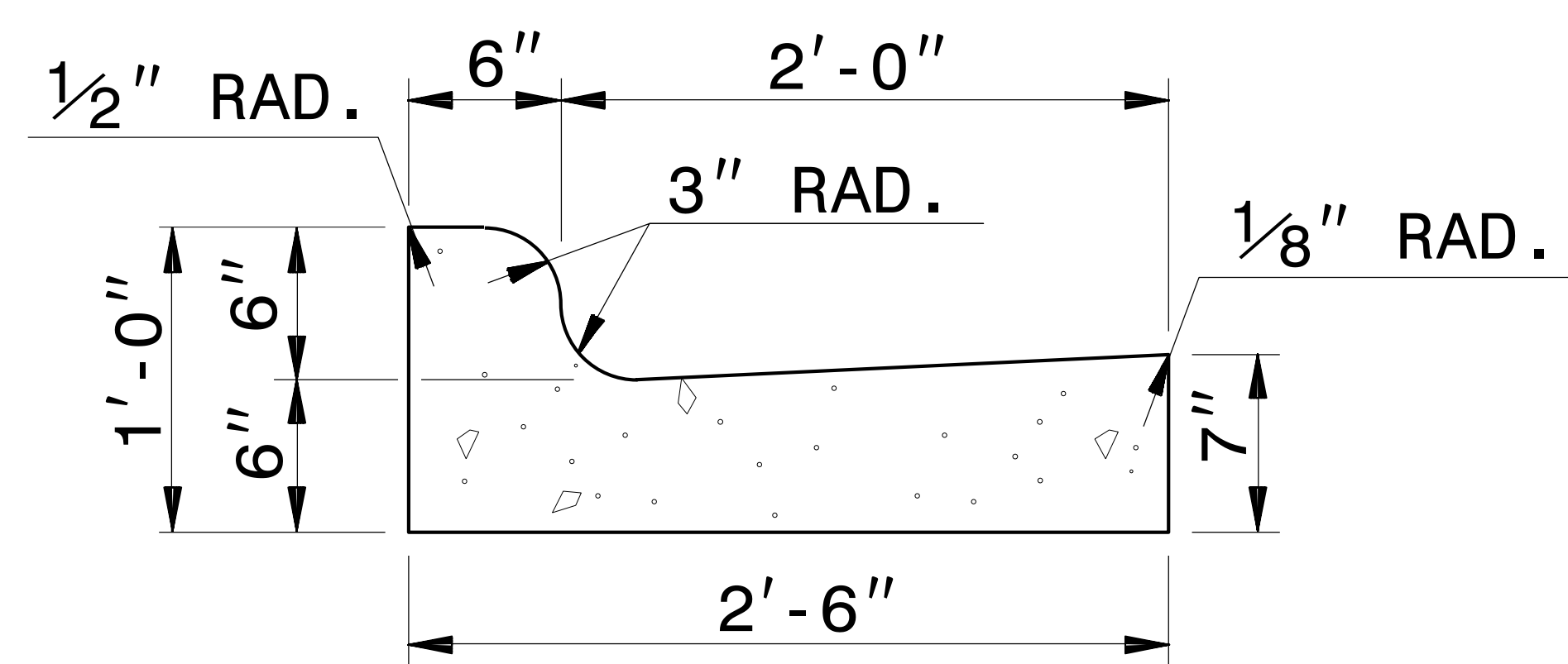
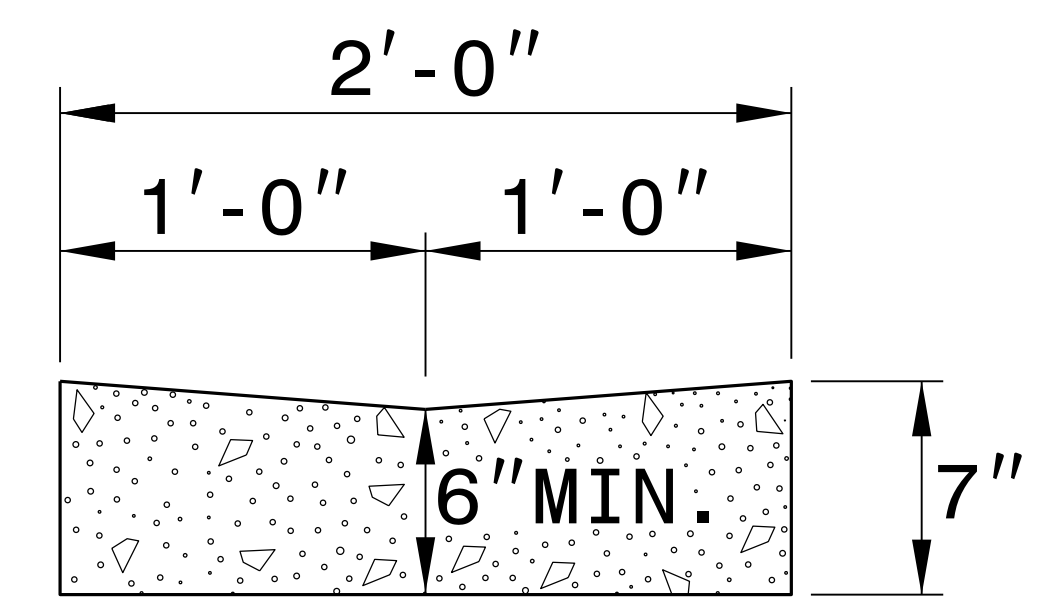


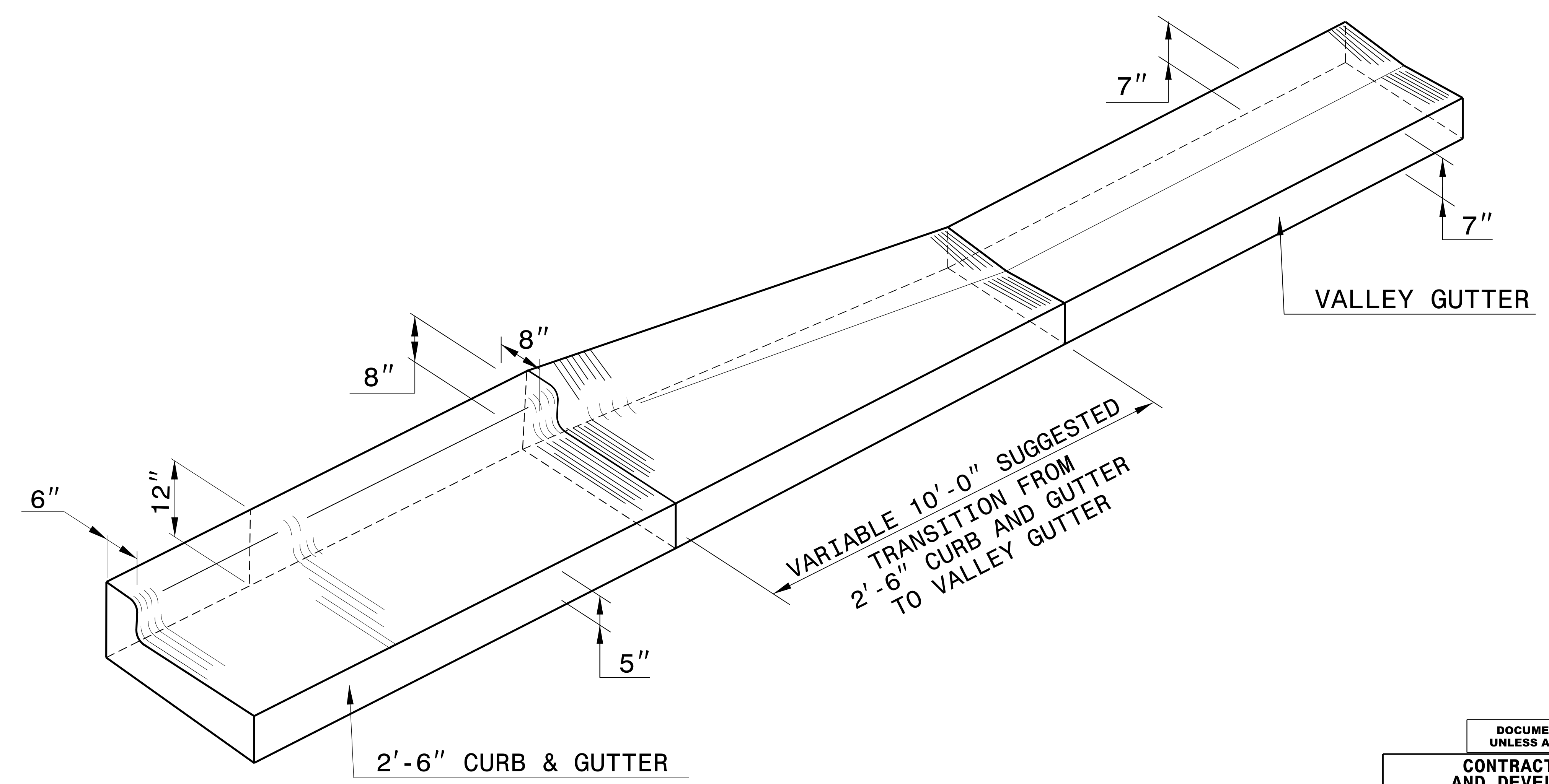
*NOTE: SEE STD. DWG. 846.01 FOR GENERAL NOTES



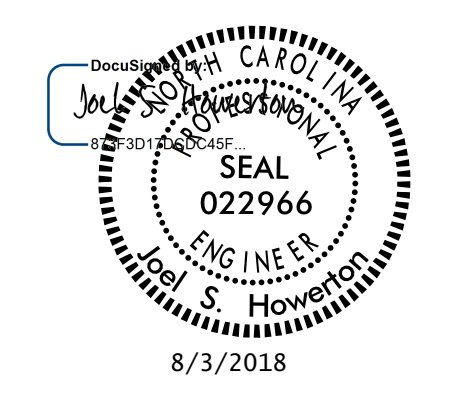
2'-6" CURB AND GUTTER



VALLEY GUTTER



ISOMETRIC VIEW OF TRANSITION



DOCUMENT NOT CONSIDERED FINAL UNLESS ALL SIGNATURES COMPLETED

CONTRACT STANDARDS AND DEVELOPMENT UNIT
 Office 919-707-6950 FAX 919-250-4119

TRANSITION FROM 2'-6" CURB AND GUTTER TO VALLEY GUTTER

ORIGINAL BY: T.S. SPELL DATE: FEB. 4, 2009
 MODIFIED BY: DATE:
 CHECKED BY: DATE:
 FILE SPEC.: w:\usr\details\stand\cgtransit.dgn

07-SEP-2017 08:20 S:\Contracts\Contractors\Special Details\vericard\usr\details\stand\c&g transition sections.dgn JHowerton AT USD-292595