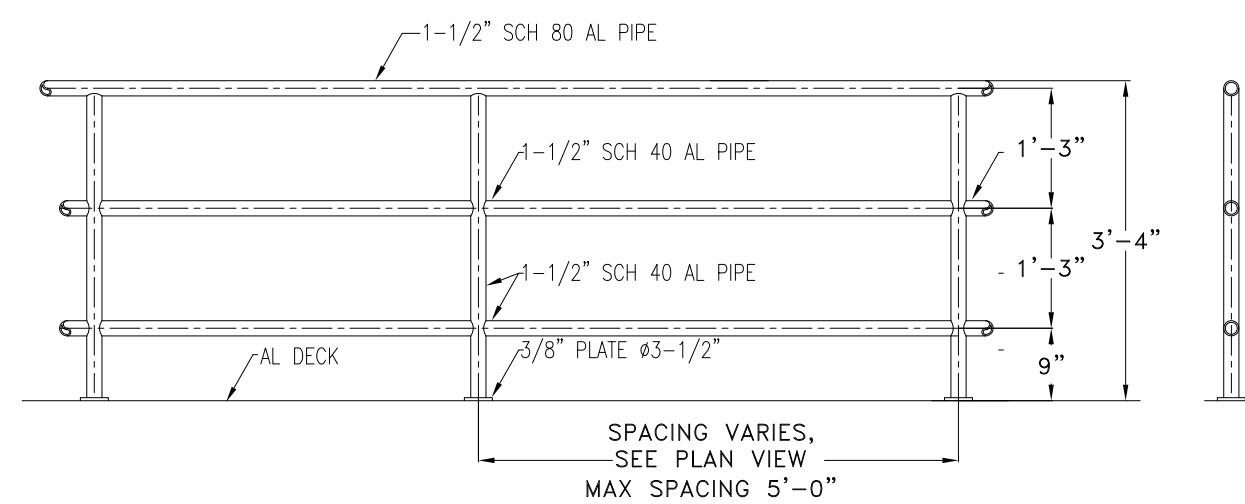
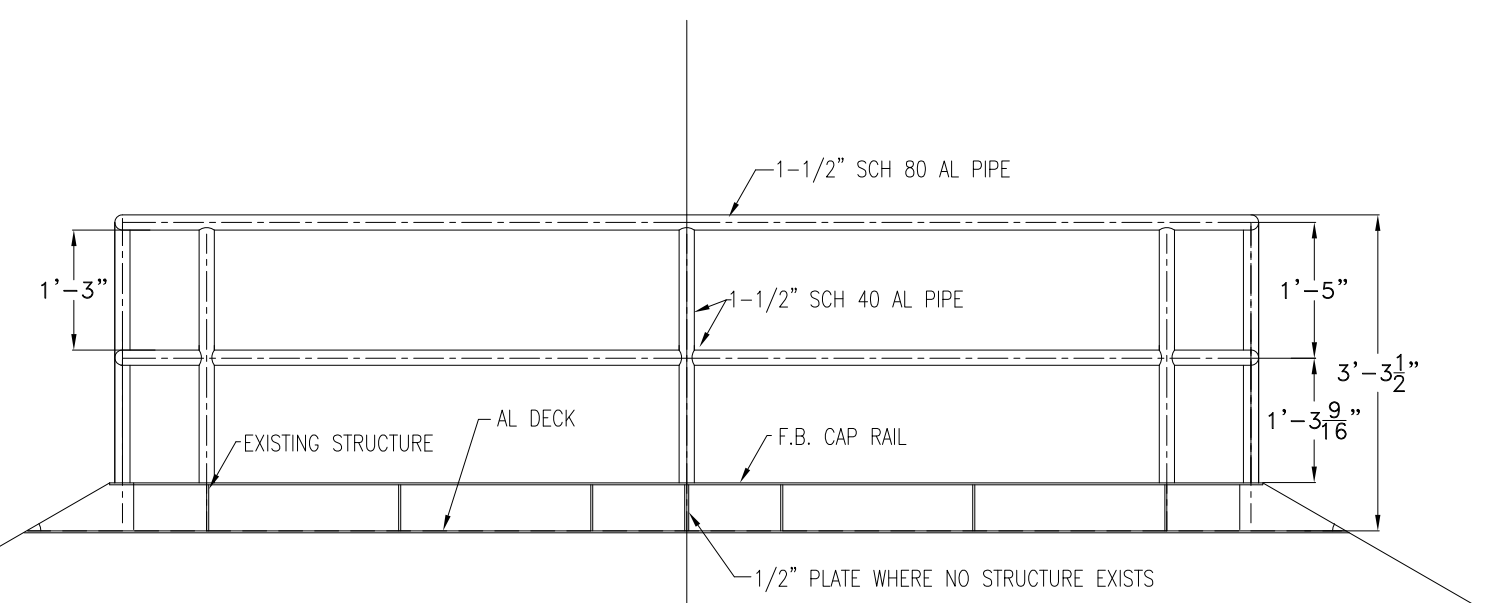


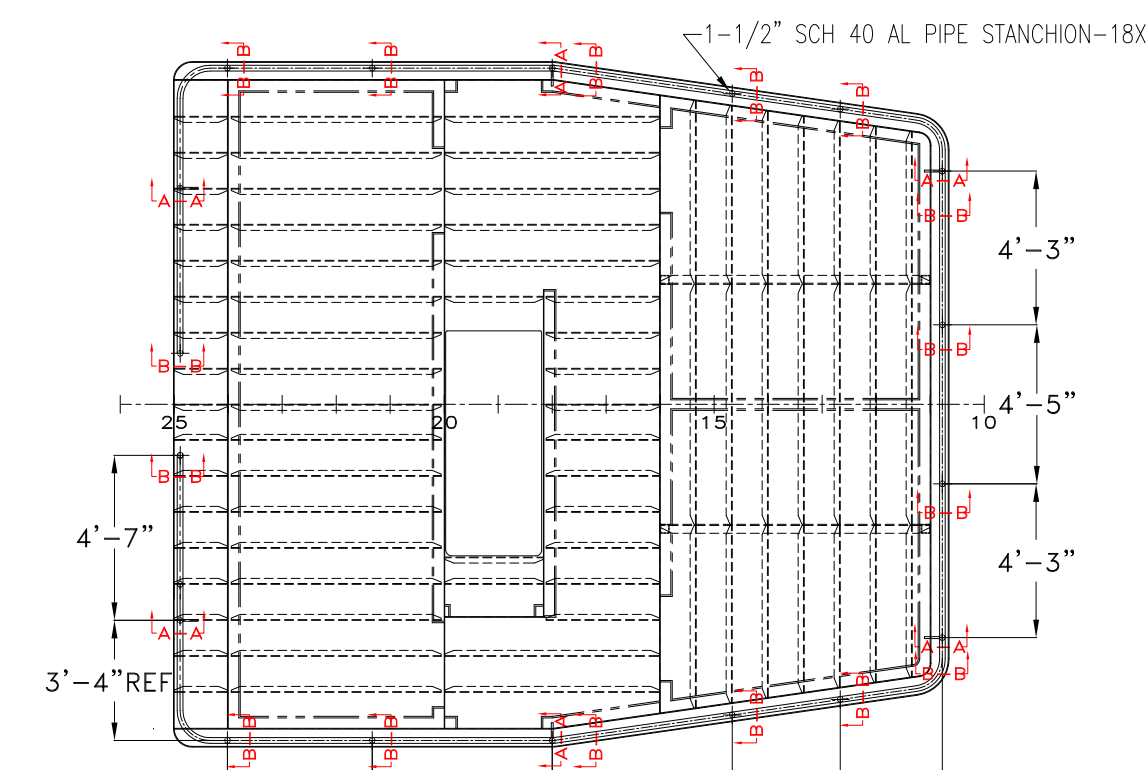
1 2ND DECK STAIR LANDING RAIL
SCALE: 1/2"=1'-0"



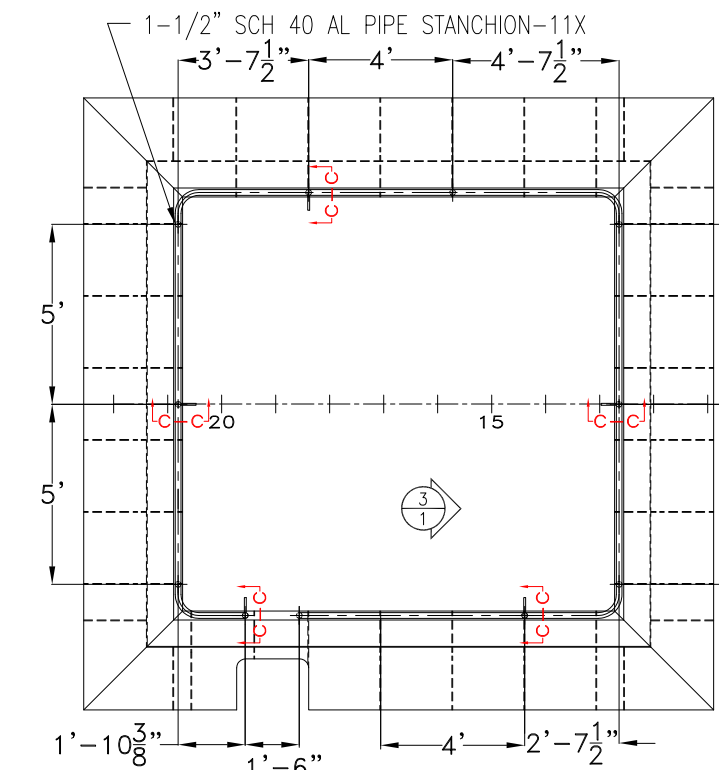
2 TYPICAL RAILING DETAIL MAIN AND 2ND DECK
SCALE: 1/2"=1'-0"



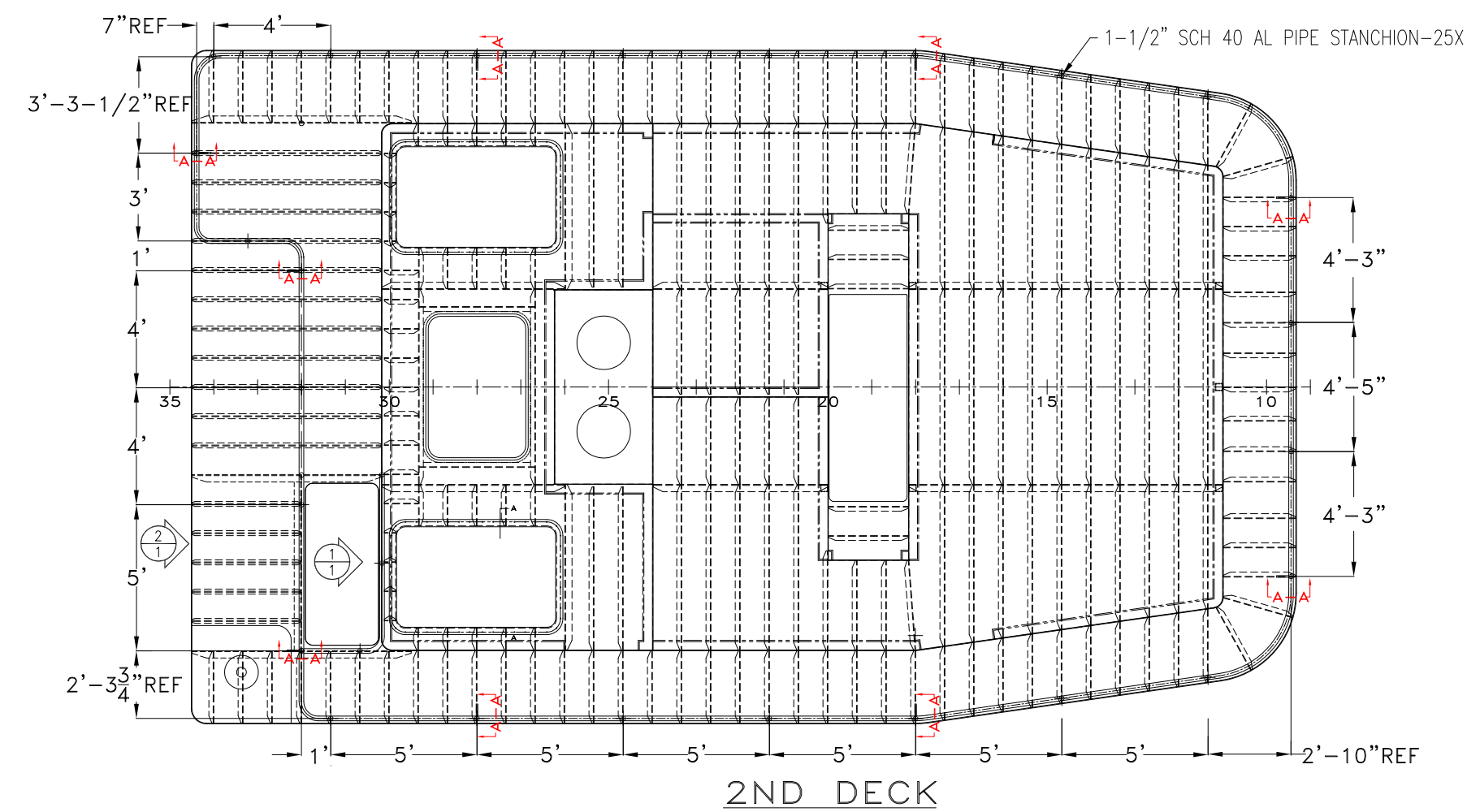
3 PILOT HOUSE ROOF RAILING DETAIL
SCALE: 1/2"=1'-0"



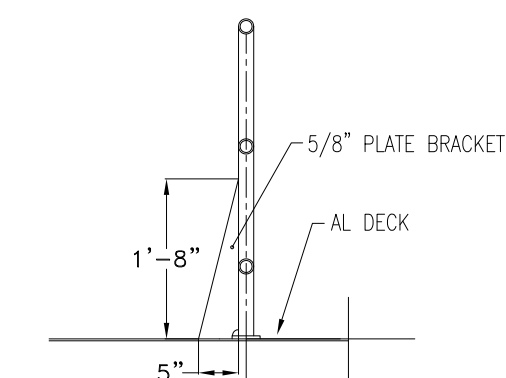
3RD DECK



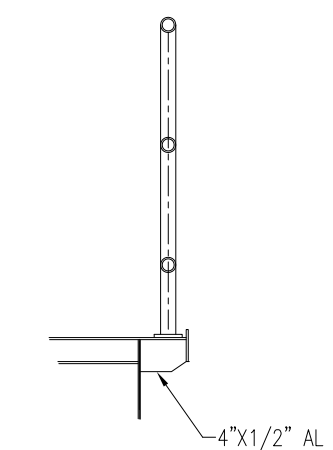
PILOT HOUSE CANOPY



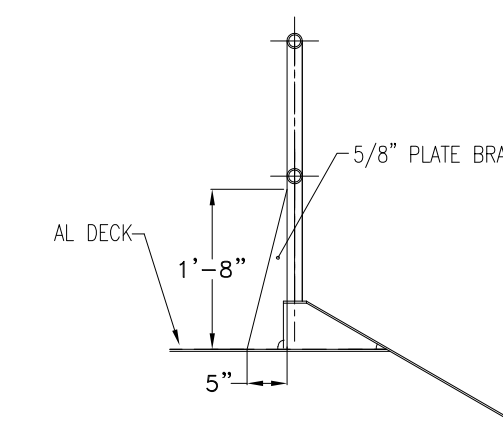
2ND DECK



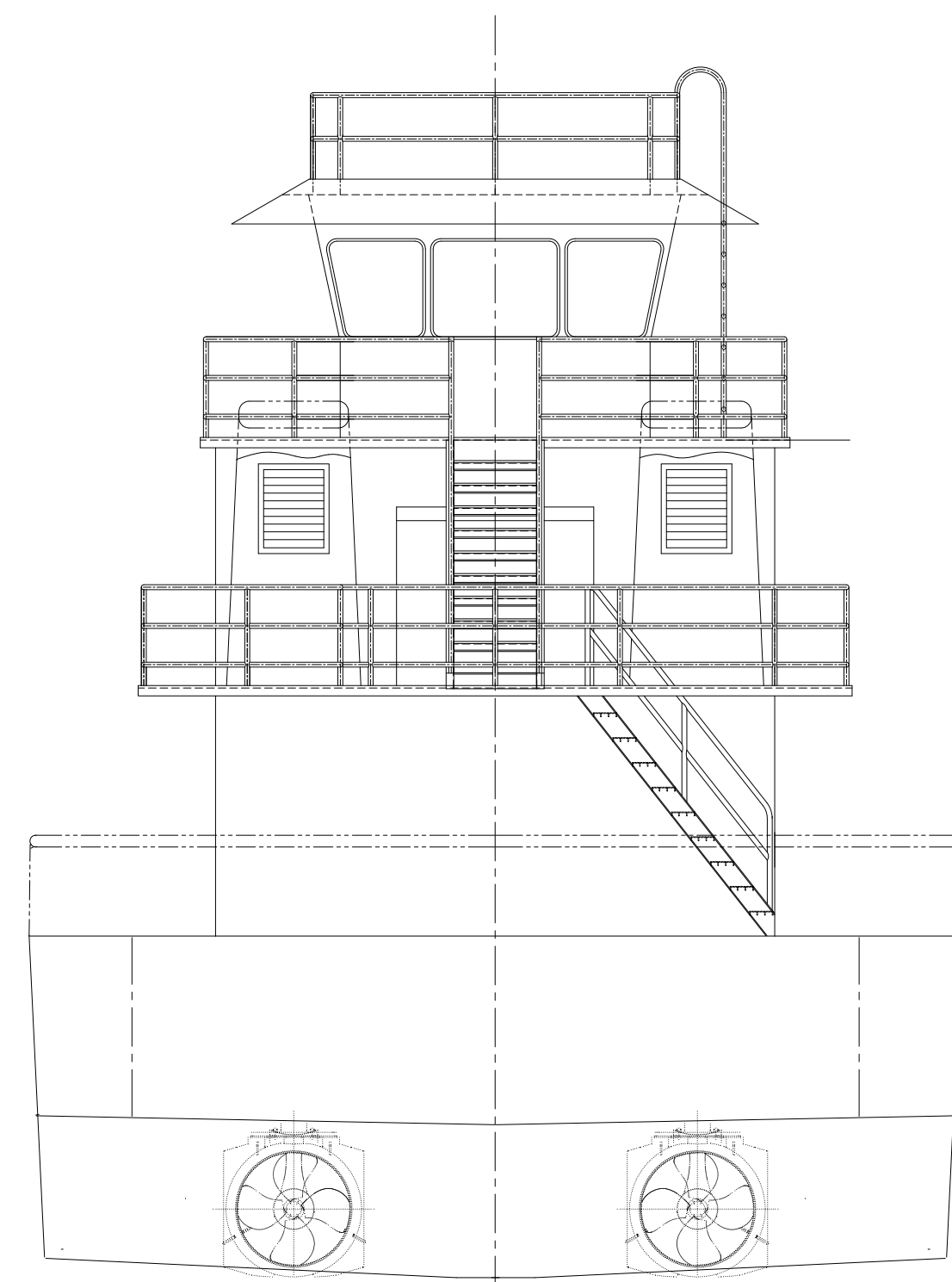
A STANCHION W/ BRACKET
SCALE: 1/2"=1'-0"



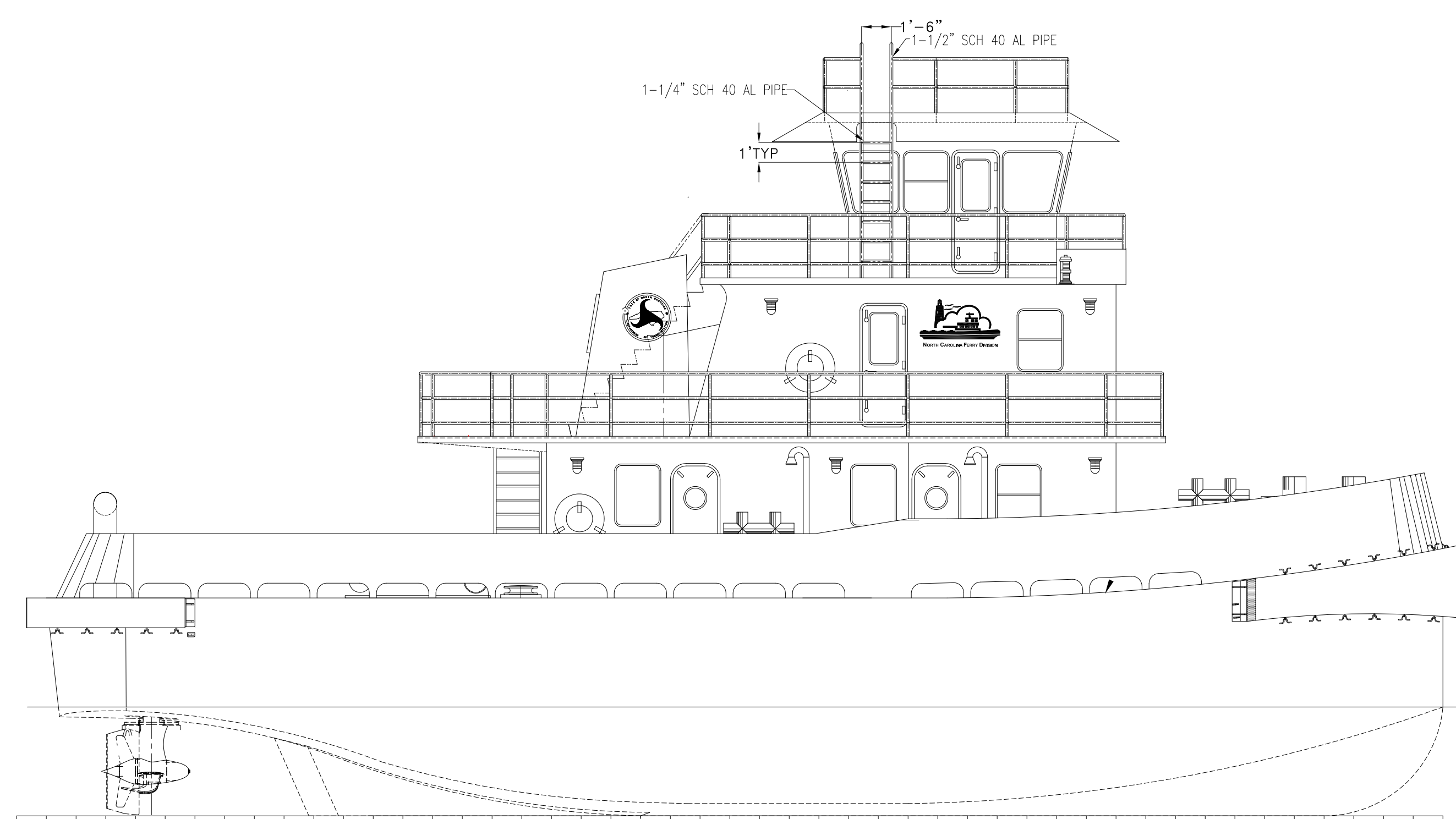
B STANCHION W/ STRUCTURE ADDED UNDER DECK
SCALE: 1/2"=1'-0"



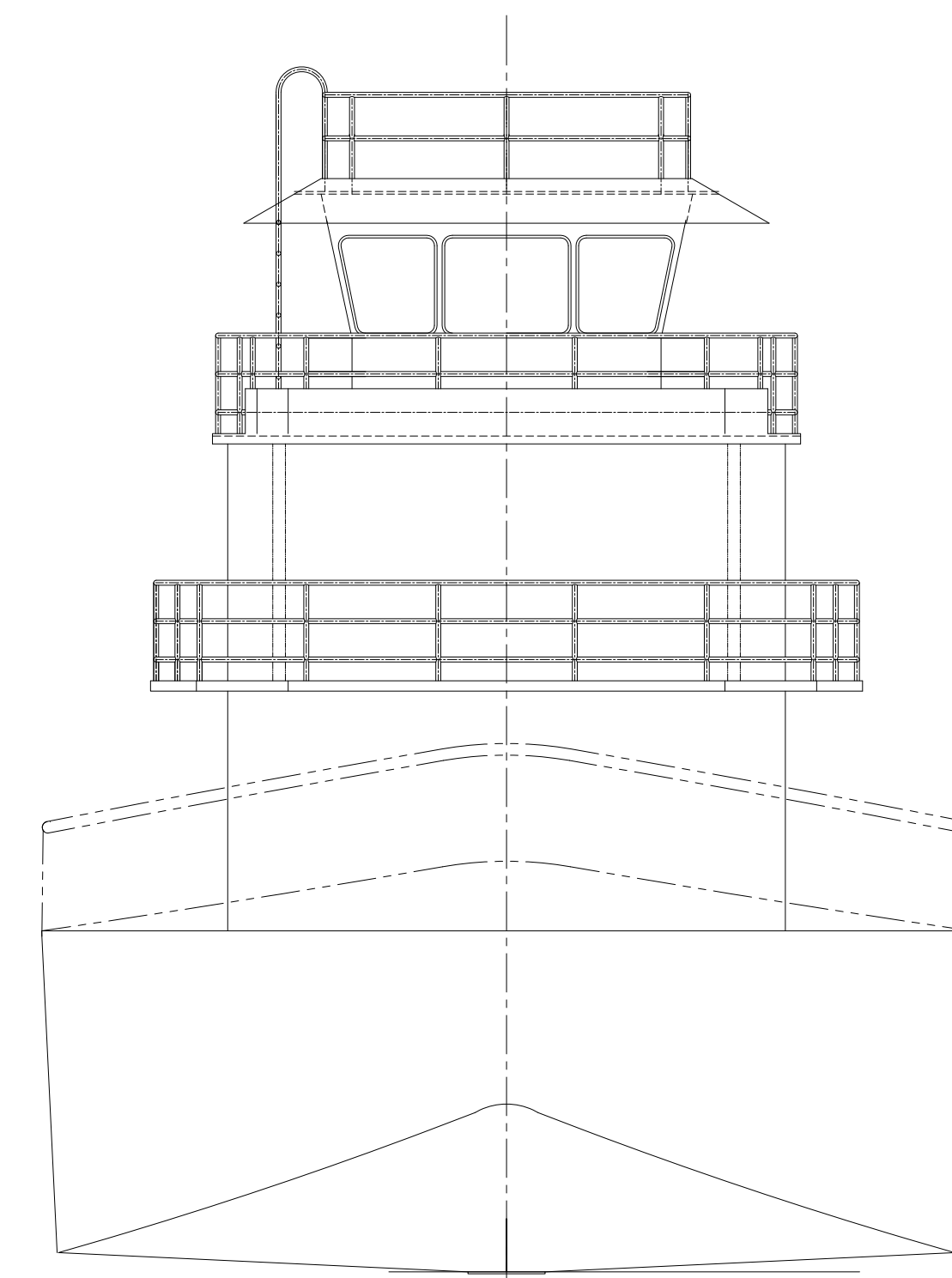
C PILOT HOUSE ROOF STANCHION W/ BRACKET
SCALE: 1/2"=1'-0"



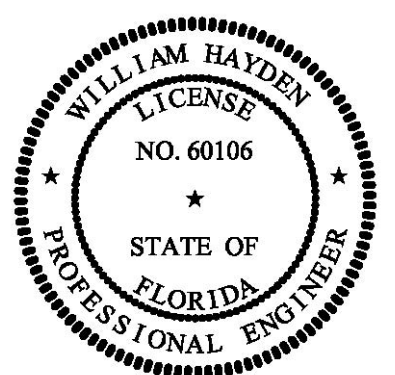
STERN LOOKING FWD



PROFILE



BOW LOOKING AFT



PROPRIETARY RIGHTS
This document discloses matter in which DeJong & Lebet, Incorporated has proprietary rights. Neither receipt nor possession thereof confers or transfers any right to reproduce, disclose or use in any manner this document in whole or in part or any information contained herein, except by written permission, or written agreement with DeJong & Lebet, Incorporated.
In the event of a purchase of this document the purchaser is authorized to construct to more than one device in accord herewith, unless otherwise signed to it, writing by DeJong & Lebet, Incorporated.
© 2018 DeJong & Lebet, Inc.

DeJong & Lebet, Inc.
Naval Architects
Marine Engineers
Consultants
Surveyors
1734 Emerson Street
Jacksonville, Florida 32207
www.dejongandlebet.com
Phone: (904) 599-3673
Fax: (904) 599-1522
Info@dejongandlebet.com

Title: 70.5'x30'x11" NCDOT TOWBOAT

RAILS & STANCHIONS

Dwg. No. 17-1372-612 Alt. No. 0
Sht. 1 of 1

Drawn By: JAH Date: AUG 10, 2018
Checked By: Date:
App'd By: AS NOTED Scale:
ABS App'l: USCG App'l: