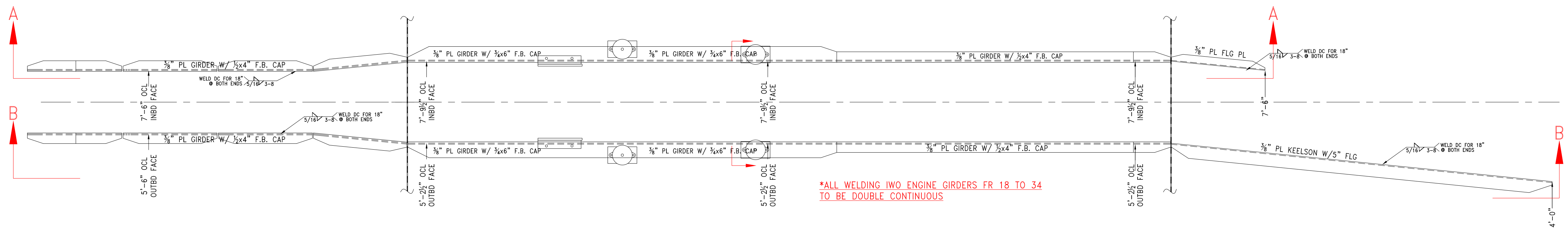
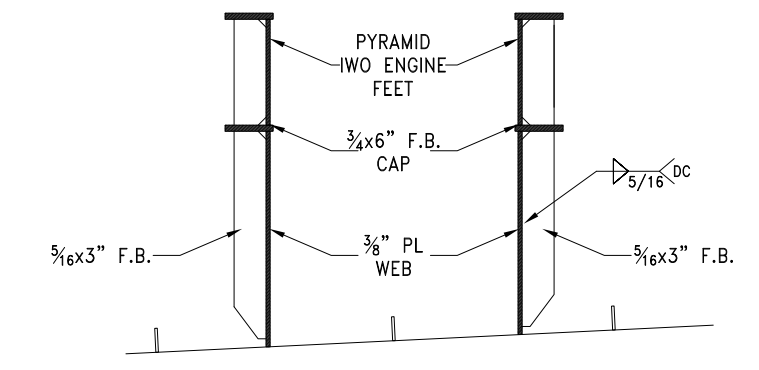
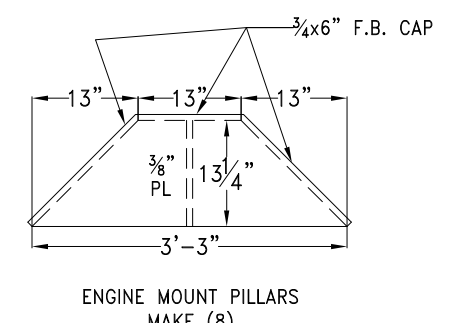


SECTION A-A  
OUTBOARD ENGINE GIRDER STRUCTURAL DETAILS  
PORT SIDE SHOWN LKG OUTBD  
STBD SIMILAR; OPP. HAND

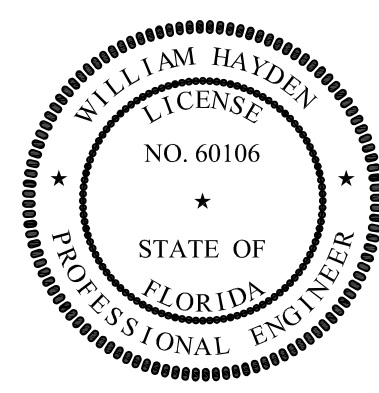
\*ALL WELDING IWO ENGINE GIRDERS FR 18 TO 34  
TO BE DOUBLE CONTINUOUS



SECTION B-B  
INBOARD ENGINE GIRDER STRUCTURAL DETAILS  
PORT SIDE SHOWN LKG OUTBD  
STBD SIMILAR; OPP. HAND

\*ALL WELDING IWO ENGINE GIRDERS FR 18 TO 34  
TO BE DOUBLE CONTINUOUS

PROPRIETARY RIGHTS  
This document discloses matter in which DeJong & Lebel, Incorporated has proprietary rights. Neither receipt nor possession thereof confers or transfers any right to reproduce, disclose or use in any manner this document in whole or in part or any information contained herein, except by written permission, in writing, by DeJong & Lebel, Incorporated.  
In the event of a purchase of this document the purchaser is authorized to construct no more than one device in accord herewith, unless otherwise signed to it, writing by DeJong & Lebel, Incorporated.  
© 2018 by DeJong & Lebel, Inc.



DeJong & Lebel, Inc.  
Naval Architects  
Marine Engineers  
Consultants  
Surveyors  
1734 Emerson Street  
Jacksonville, Florida 32207  
www.dejongandlebel.com  
Phone: (904) 599-3673  
Fax: (904) 599-1522  
info@dejongandlebel.com

Title: 70.5'x30'x11' NCDOT TOWBOAT  
LONGITUDINAL GIRDER  
STRUCTURAL DETAILS

Dwg. No. 17-1372-182  
Art. No. 0  
Sht. 1 of 1  
Date: JUNE 05, 2018  
Scale: 1/2" = 1'-0"  
USCG App'l: \_\_\_\_\_

ANSI-D (24"x36")