

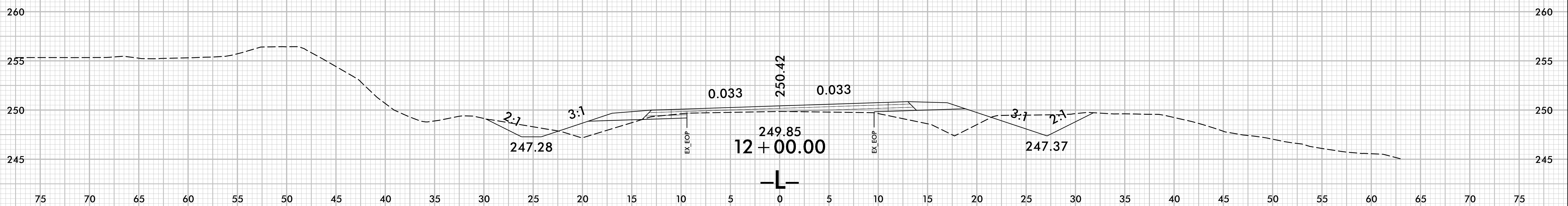
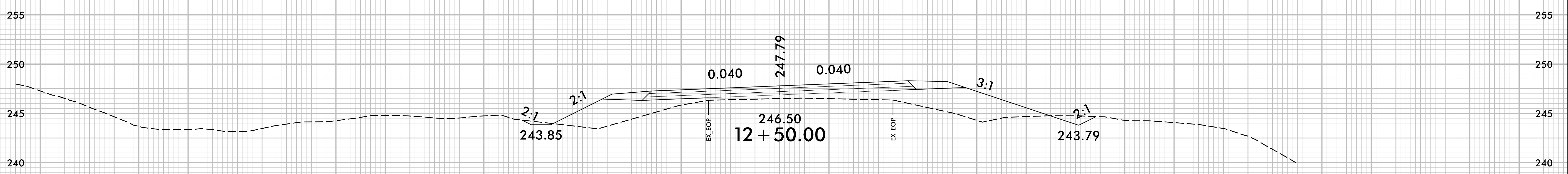
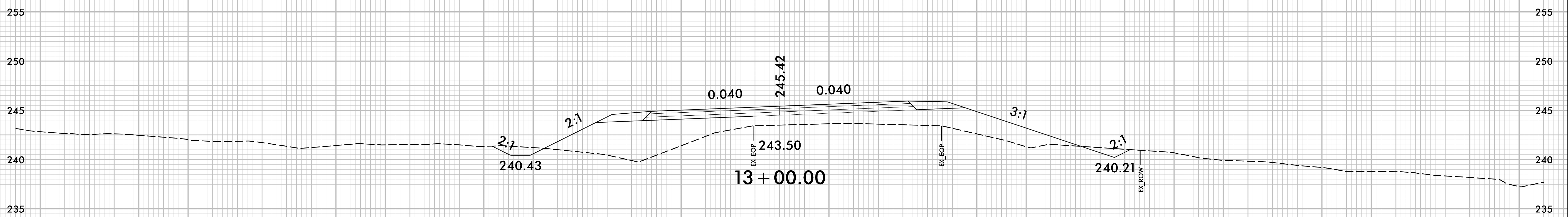
6/23/16



PROJECT REFERENCE NO. B-4833		SHEET NO. X-2
STATE PROJ. NO. 38603.1.FD1 17BP.5.R.96	F. A. PROJ. NO. BRZ-2761 (1) N/A	DESCRIPTION PE, UTIL. R/W, CONST.

RAMEY KEMP ASSOCIATES, INC.
 Transportation Engineers
 5808 Faringdon Place, Suite 100
 Raleigh, North Carolina 27609
 Phone: 919-872-5115
 www.rameykemp.com
 NC License No. C-0910

75 70 65 60 55 50 45 40 35 30 25 20 15 10 5 0 5 10 15 20 25 30 35 40 45 50 55 60



6/29/2018
I:\Roadway\XSC\B4833_Rdy_xpl.dgn
User: ssal1

75 70 65 60 55 50 45 40 35 30 25 20 15 10 5 0 5 10 15 20 25 30 35 40 45 50 55 60 65 70 75