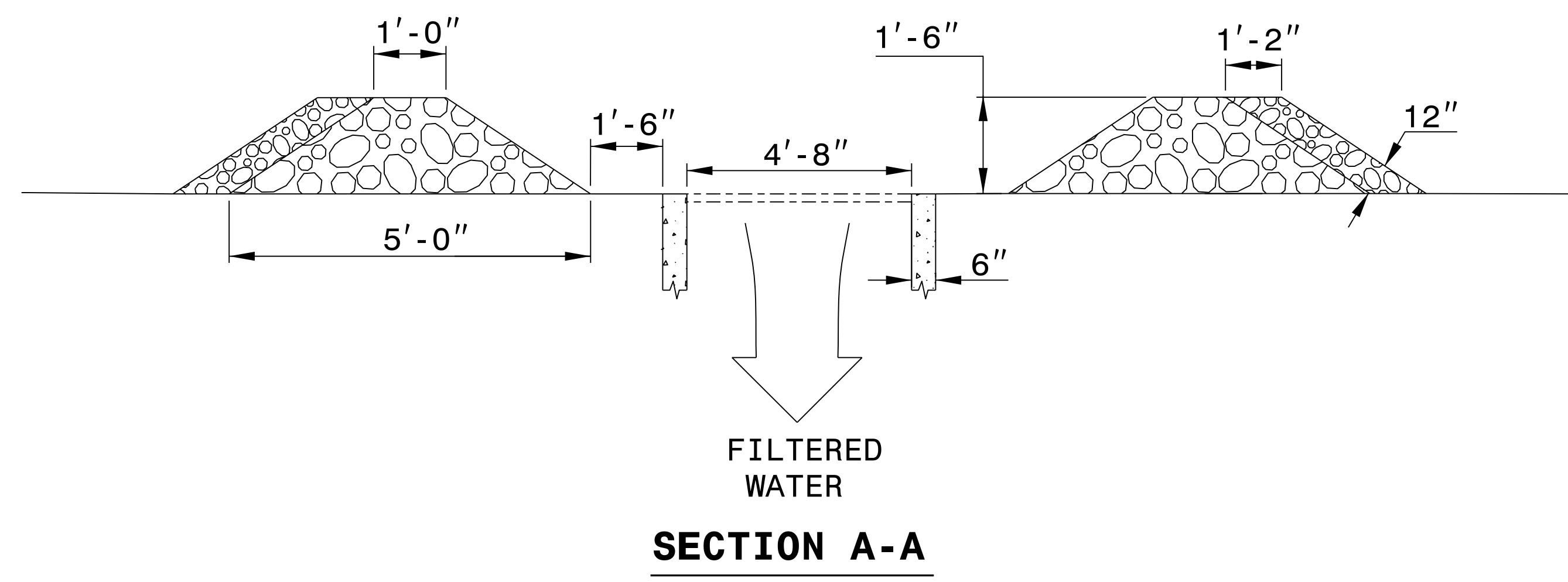
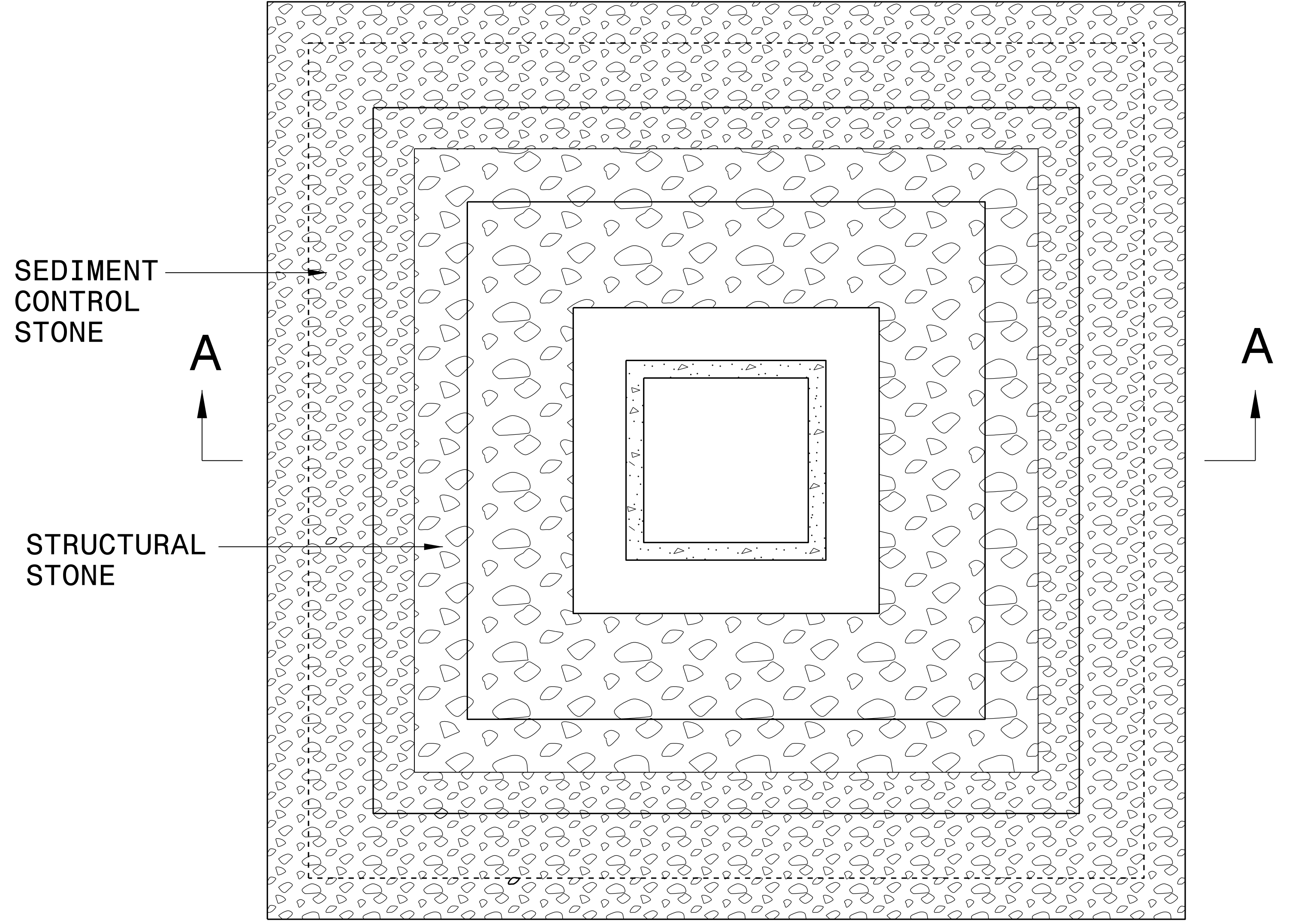


19-SEP-2018 10:03
 C:\Projects\Development\ITP\Projects\11-5952-40-West_Forsyth\Roadway\Design_Files\1-5952_dde_EC-3.dgn
 8/17/99

STATE OF NORTH CAROLINA
 DEPT. OF TRANSPORTATION
 DIVISION OF HIGHWAYS
 RALEIGH, N.C.

ENGLISH STANDARD DRAWING FOR
ROCK INLET SEDIMENT TRAP TYPE 'B'

SHEET 1 OF 1
1632.02



NOTE:
 USE CLASS 'A' STONE FOR STRUCTURAL STONE.
 USE NO. 5 OR NO. 57 STONE FOR SEDIMENT CONTROL.
 DIMENSIONS SHOWN ARE MINIMUM ACCEPTABLE UNLESS OTHERWISE SPECIFIED BY THE ENGINEER.
 CONSTRUCT TOP OF BERM A MINIMUM OF ONE FOOT BELOW THE SHOULDER OR ANY DIVERSION POINT.

STATE OF NORTH CAROLINA
 DEPT. OF TRANSPORTATION
 DIVISION OF HIGHWAYS
 RALEIGH, N.C.

ENGLISH STANDARD DRAWING FOR
ROCK INLET SEDIMENT TRAP TYPE 'B'

SHEET 1 OF 1
1632.02

REVISIONS