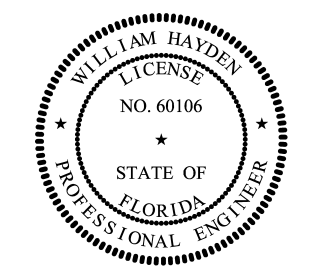
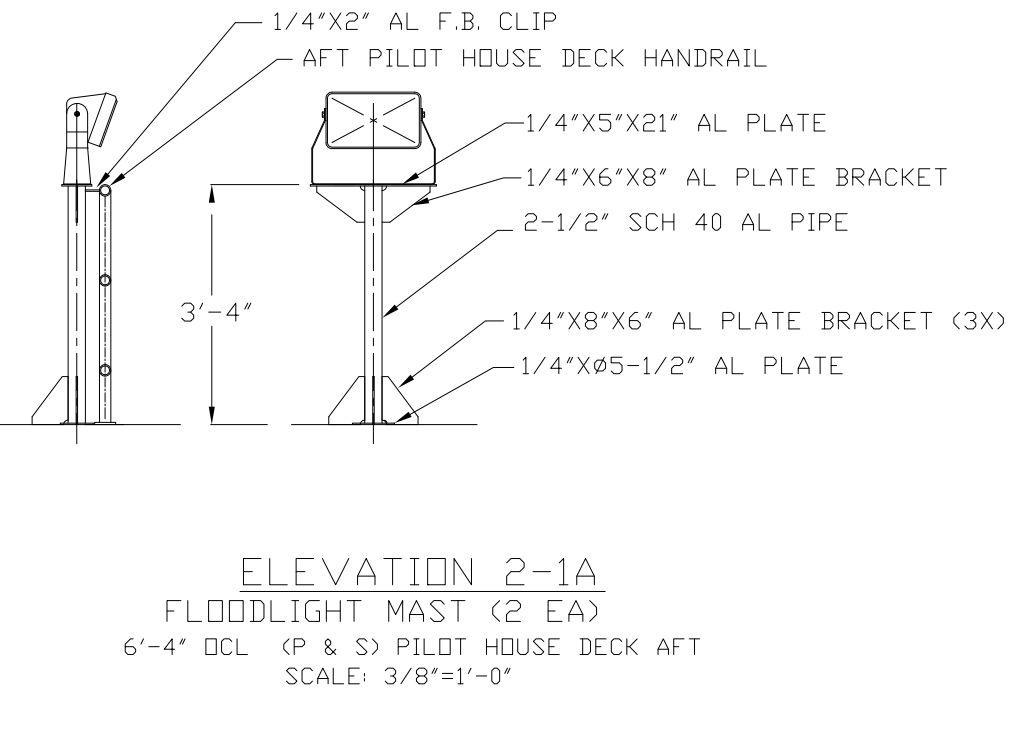
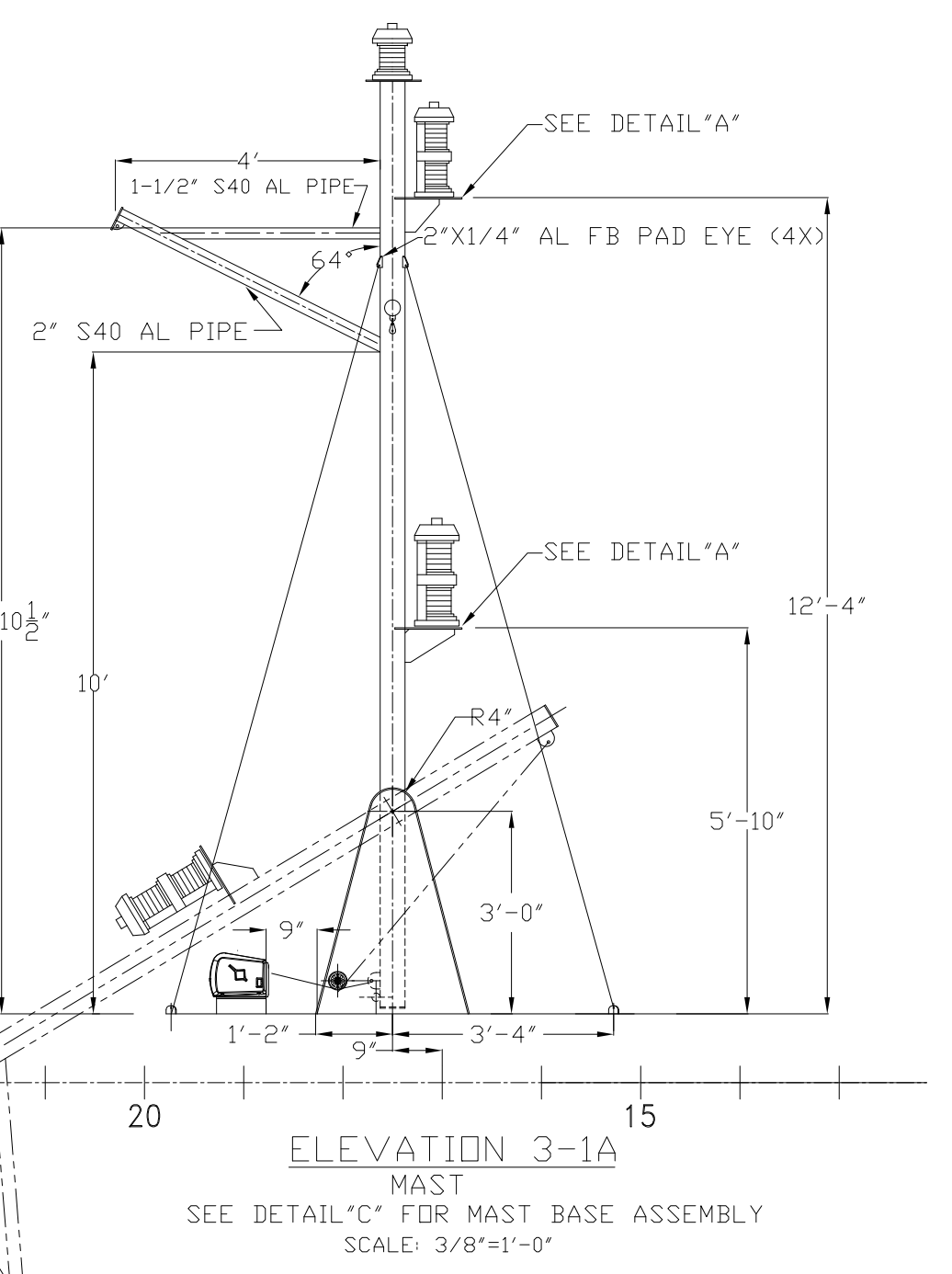
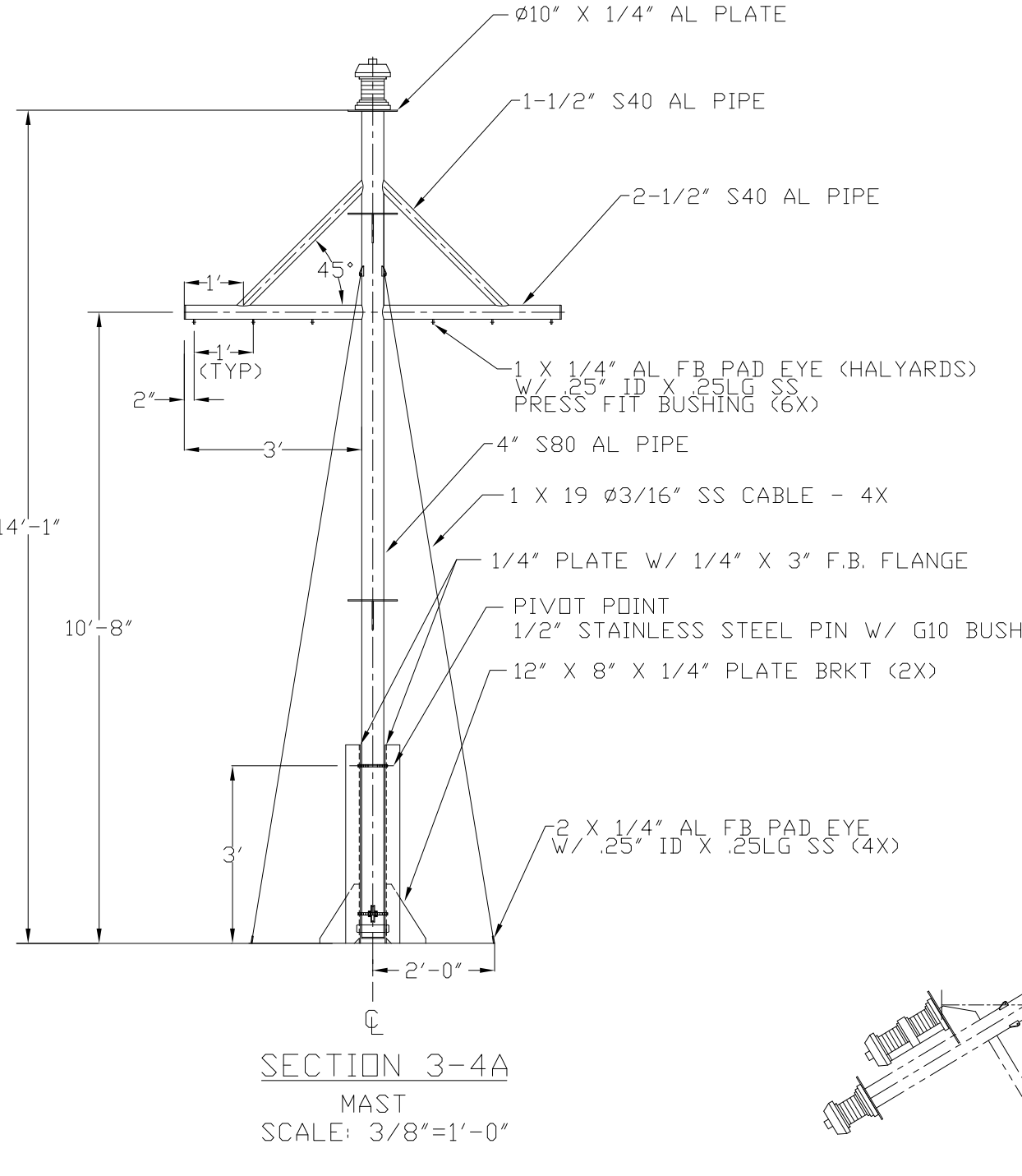
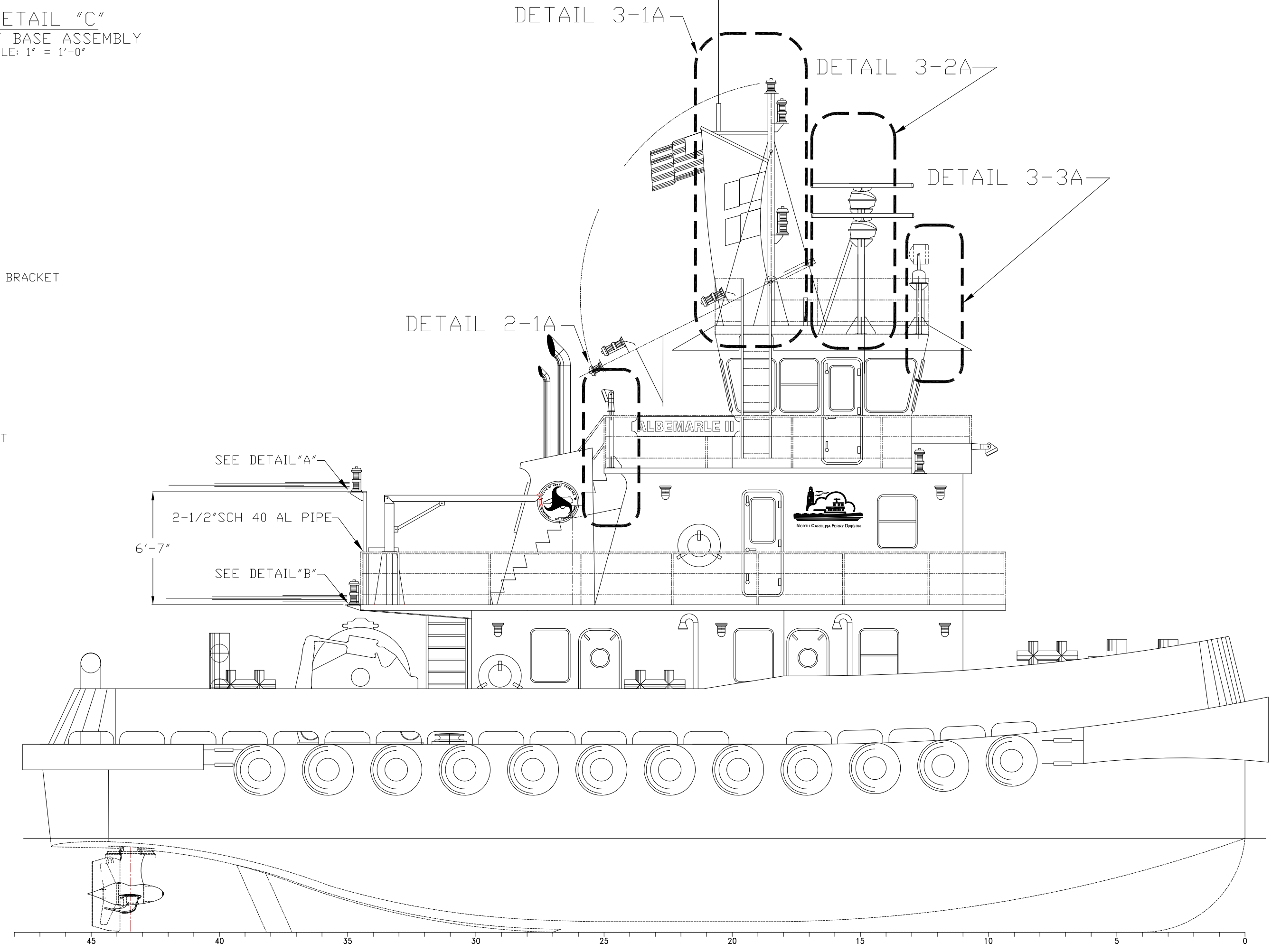
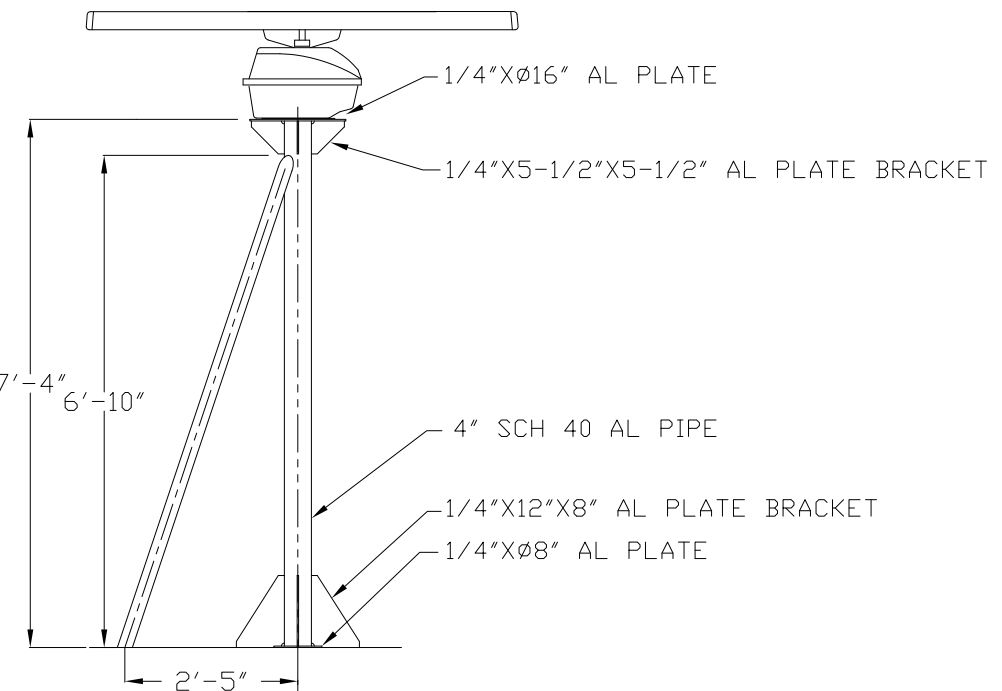
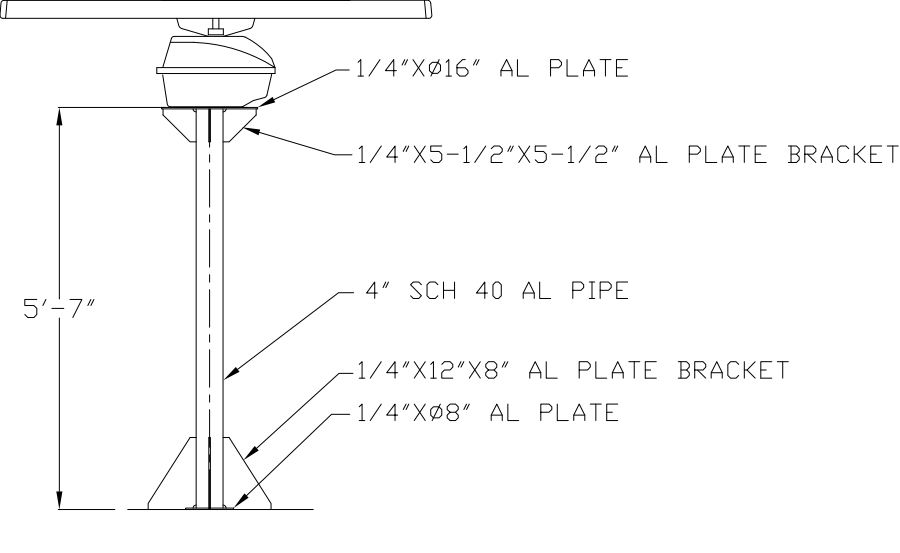
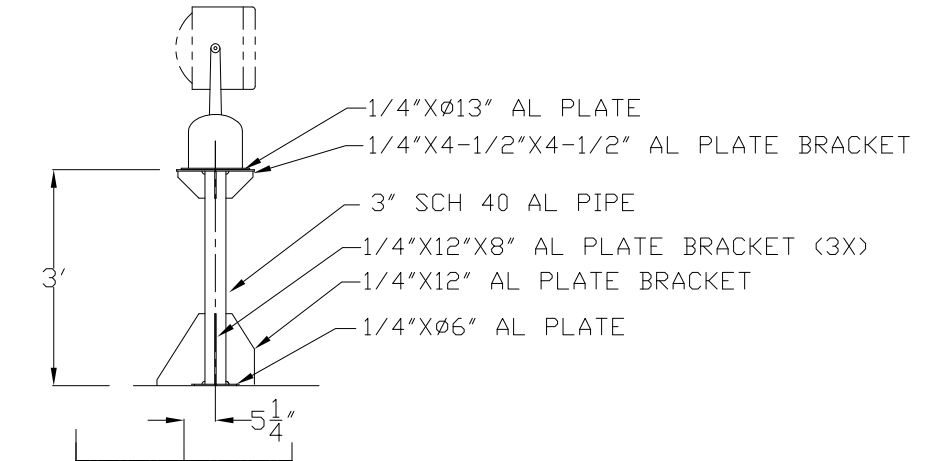
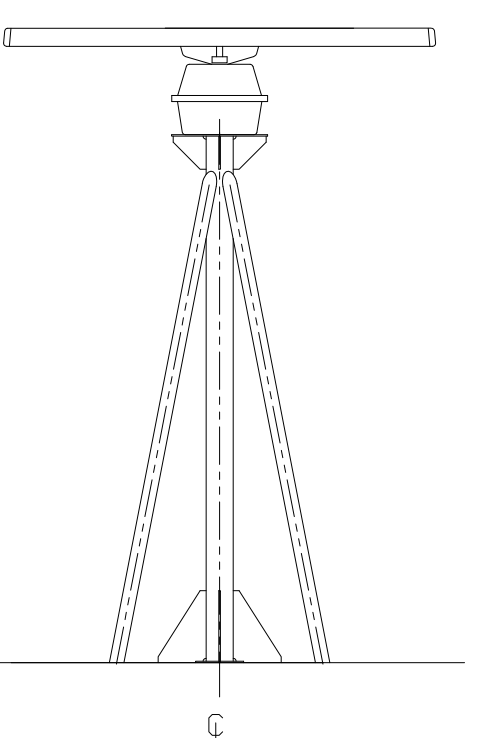


BILL OF MATERIALS

MAST ASSEMBLY SCHEDULE

ITEM	QTY.	DESCRIPTION	MANUFACTURER #	REMARKS
1	1	WINCH, ELECTRIC, 120VAC, 1200 LB, 3/16" CABLE	BUTTON-LAINSON SA5000AC	DR EQUAL
2	1	PULLEY, WIRE ROPE, 3/16", Ø 1/2" SHAFT STAINLESS STEEL	MCMASER-CARR 3628T22	DR EQUAL
3	2	SHAFT, ROTARY, STAINLESS STEEL W/ RETAINING RING GROOVES	MCMASER-CARR 2025K11	DR EQUAL
4	4	RETAINING RING, 1/2", EXTERNAL,, SS	MCMASER-CARR 95304A251	DR EQUAL
5	2	COLLAR, SHAFT, TWO-PIECE, STAINLESS STEEL	MCMASER-CARR 6436K34	DR EQUAL



9	8	7	6	5	4	3	2	1	0	9/8.3.18/a	NCDOT	ALT. NO.
---	---	---	---	---	---	---	---	---	---	------------	-------	----------

PROPRIETARY RIGHTS

This document discloses matter in which DeJong & Lebel, Incorporated has proprietary rights. Neither receipt nor possession thereof confers or transfers any right to reproduction, disclosure or use in any manner this document in whole or in part or any information contained herein, except by written permission, or written agreement with DeJong & Lebel, Incorporated.

In the event of a purchase of this document the purchaser is authorized to construct no more than one device in accord herewith, unless otherwise signed to in writing by DeJong & Lebel, Incorporated.

© 2018 by DeJong & Lebel, Inc.

DeJong & Lebel, Inc.
Naval Architects
Marine Engineers
Consultants
Surveyors

1734 Emerson Street
Jacksonville, Florida 32207
www.dejongandlebel.com
Phone: (904) 599-3673
Fax: (904) 599-1522
Info@dejongandlebel.com

Title: 70.5'x30'x11' NCDOT TOWBOAT

MAST DETAILS

Dwg. No. 17-1372-171 Alt. No. 1
Sht. 1 of 1

Drawn By: JAH Date: JULY 19, 2018
Checked By: Date:
App'd By: Scale: SEE DWG
ABS App'l: USCG App'l: