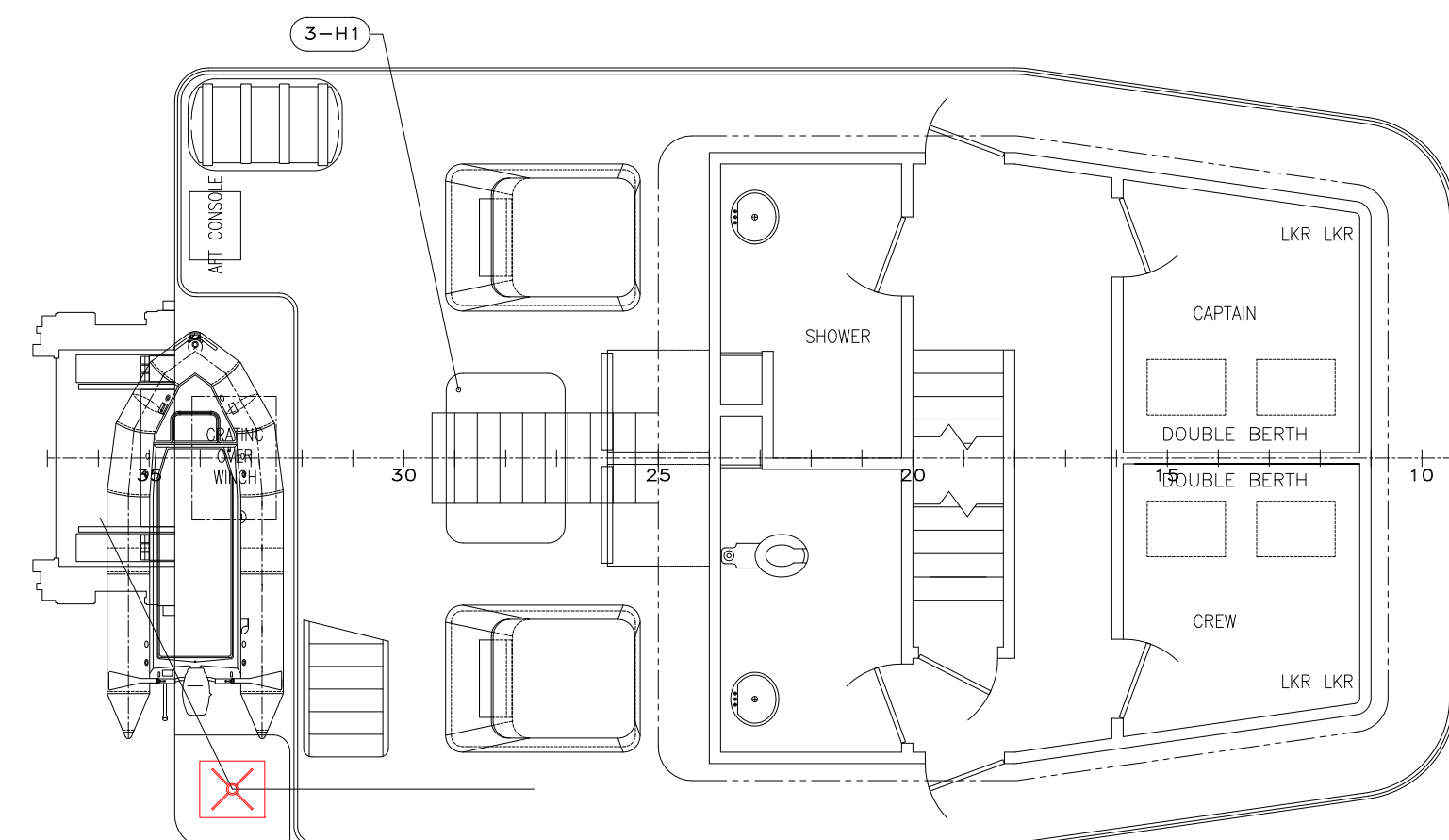
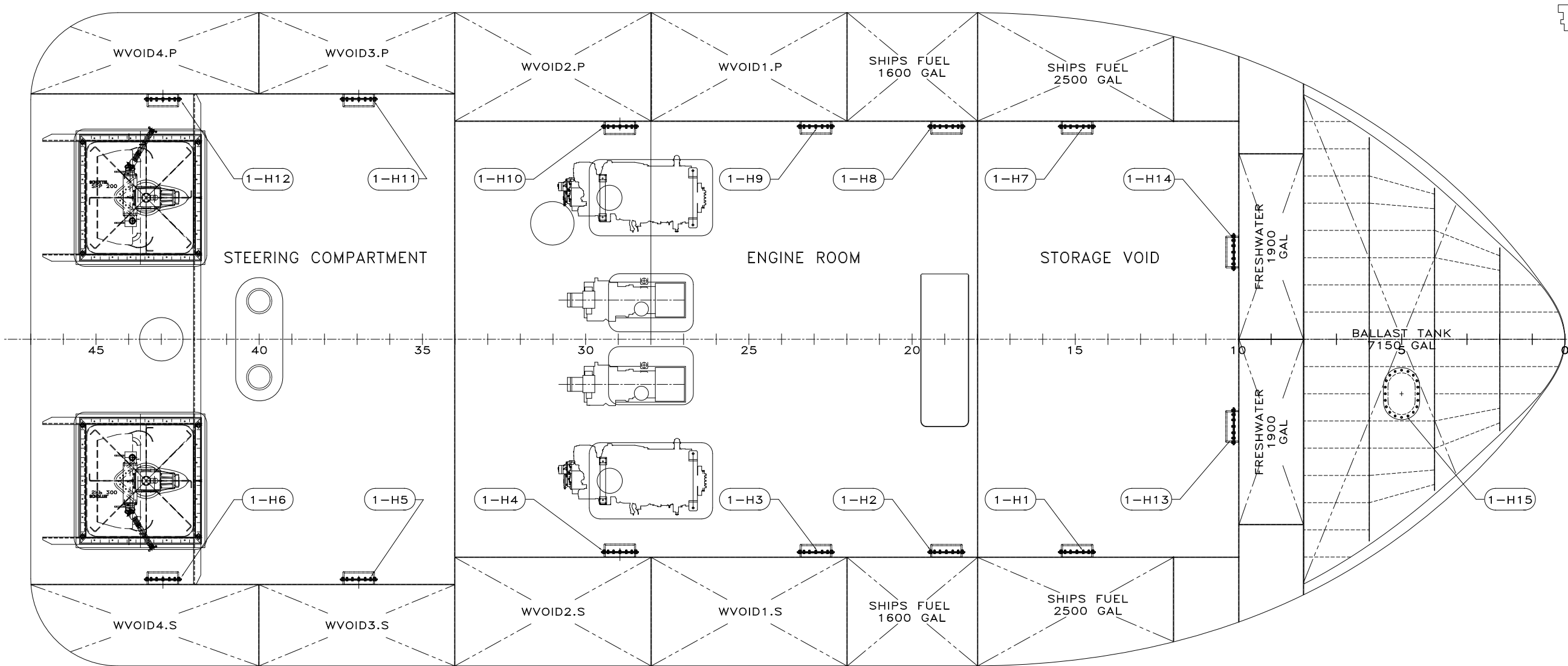


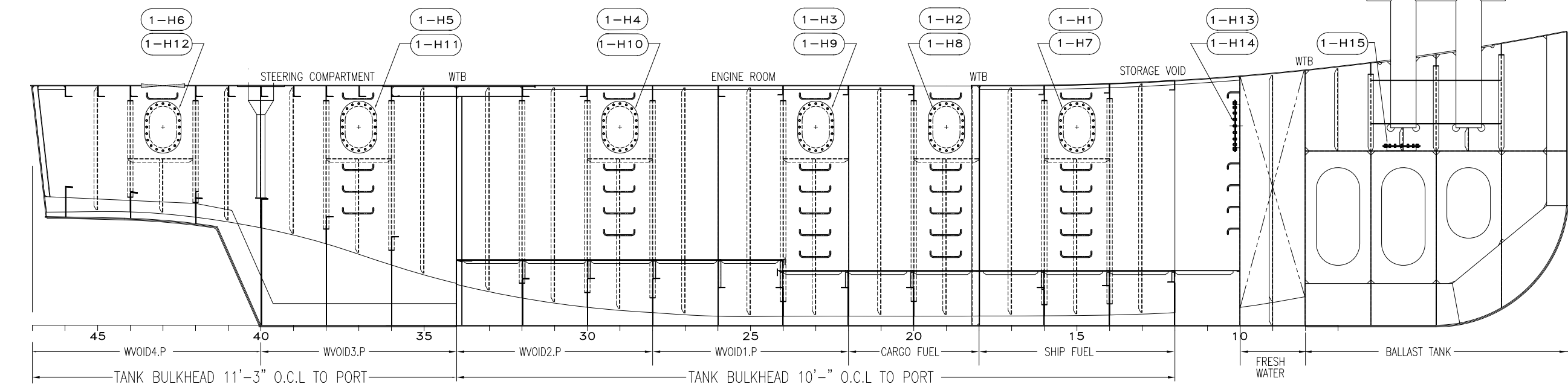
PLAN MAIN DECK



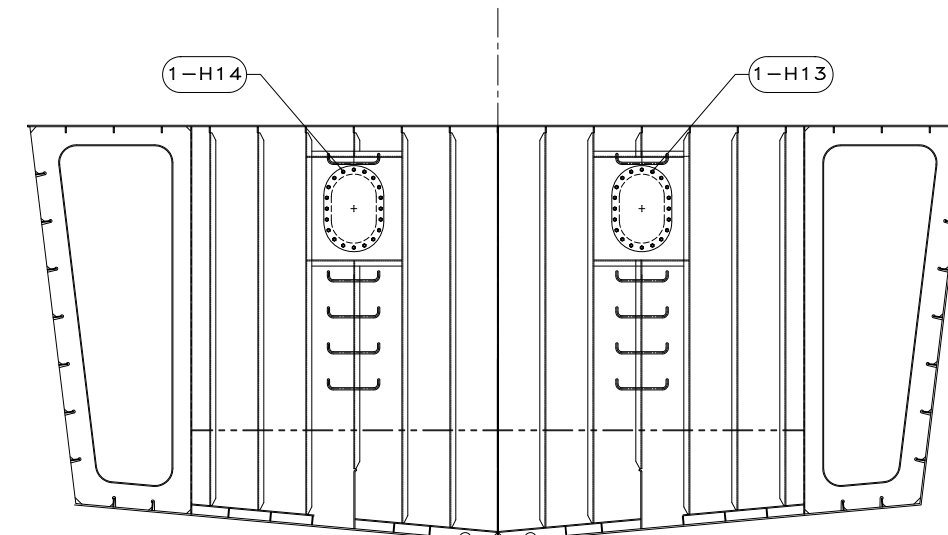
PLAN 2ND DECK



PLAN VIEW HOLD



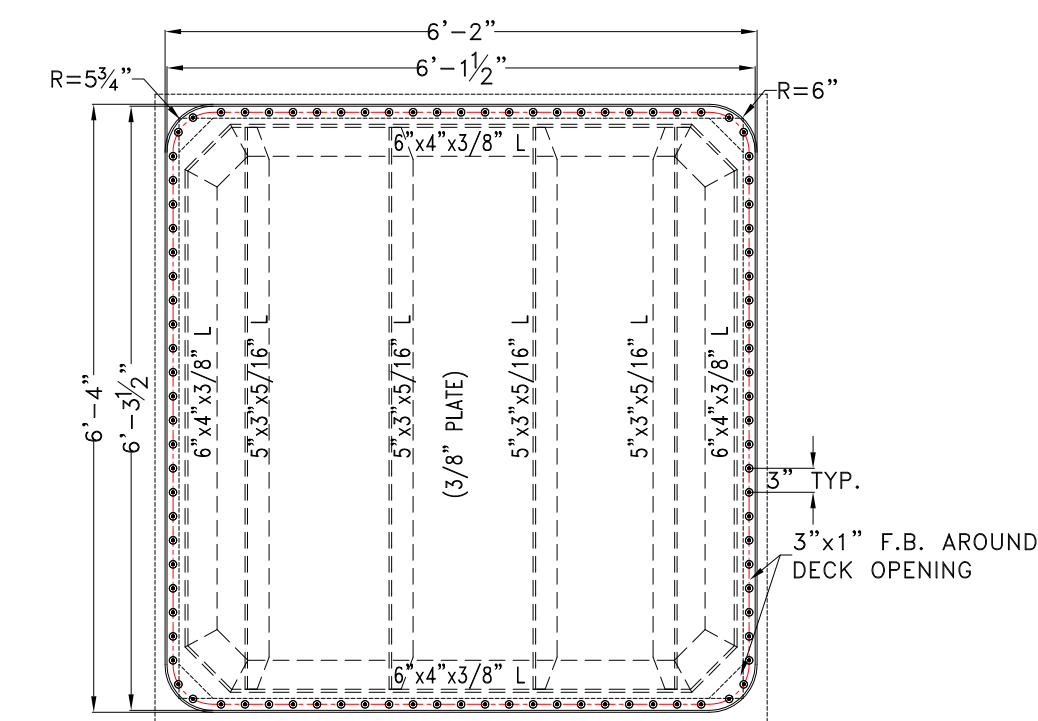
PROFILE VIEW HOLD  
PORT SIDE SHOWN, STBD SIDE MIRROR IMAGE



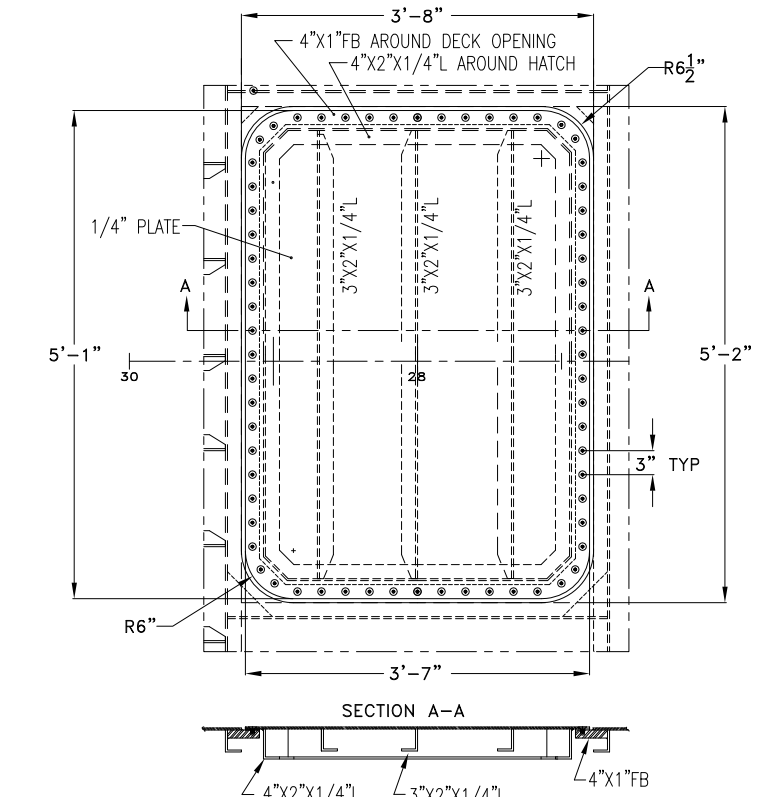
FRAM 10 LOOKING FWD

HATCH SCHEDULE

ITEM	SIZE	DESCRIPTION	COMPARTMENT	LOCATION	PART NUMBER	MANUFACTURER	MATERIAL	COAMING	REMARKS
1-H1	15'x23'	HATCH, RAISED, MULTIFOLD, OILTIGHT	STORAGE VOID	F.O. TANK, STBD			STEEL	2.5"	
1-H2	15'x23'	HATCH, RAISED, MULTIFOLD, OILTIGHT	ENGINE ROOM	CARGO F.O. TANK, STBD			STEEL	2.5"	
1-H3	15'x23'	HATCH, RAISED, MULTIFOLD, WATERTIGHT	ENGINE ROOM	WATER VOID TANK 15			STEEL	2.5"	
1-H4	15'x23'	HATCH, RAISED, MULTIFOLD, WATERTIGHT	ENGINE ROOM	WATER VOID TANK 25			STEEL	2.5"	
1-H5	15'x23'	HATCH, RAISED, MULTIFOLD, WATERTIGHT	STEERING COMP.	WATER VOID TANK 35			STEEL	2.5"	
1-H6	15'x23'	HATCH, RAISED, MULTIFOLD, WATERTIGHT	STEERING COMP.	WATER VOID TANK 45			STEEL	2.5"	
1-H7	15'x23'	HATCH, RAISED, MULTIFOLD, OILTIGHT	STORAGE VOID	F.O. TANK, PORT			STEEL	2.5"	
1-H8	15'x23'	HATCH, RAISED, MULTIFOLD, OILTIGHT	ENGINE ROOM	CARGO F.O. TANK, PORT			STEEL	2.5"	
1-H9	15'x23'	HATCH, RAISED, MULTIFOLD, WATERTIGHT	ENGINE ROOM	WATER VOID TANK 1P			STEEL	2.5"	
1-H10	15'x23'	HATCH, RAISED, MULTIFOLD, WATERTIGHT	ENGINE ROOM	WATER VOID TANK 2P			STEEL	2.5"	
1-H11	15'x23'	HATCH, RAISED, MULTIFOLD, WATERTIGHT	STEERING COMP.	WATER VOID TANK 3P			STEEL	2.5"	
1-H12	15'x23'	HATCH, RAISED, MULTIFOLD, WATERTIGHT	STEERING COMP.	WATER VOID TANK 4P			STEEL	2.5"	
1-H13	15'x23'	HATCH, RAISED, MULTIFOLD, WATERTIGHT	STORAGE VOID F10	STBD FRESH WATER TANK			STEEL	2.5"	
1-H14	15'x23'	HATCH, RAISED, MULTIFOLD, WATERTIGHT	STORAGE VOID F10	PORT FRESH WATER TANK			STEEL	2.5"	
1-H15	15'x23'	HATCH, RAISED, MULTIFOLD, WATERTIGHT	FOREPEAK	BALLAST TANK			STEEL	2.5"	
<b>MAIN DECK</b>									
2-H1	#24"	HATCH, WATERTIGHT, O.A., STEEL RING	FOREPEAK	MAIN DECK BOW			ALUM./STEEL		
2-H2	#24"	HATCH, WATERTIGHT, O.A., STEEL RING	STORAGE VOID	MAIN DECK FWD PORT			ALUM./STEEL		
2-H3	#24"	HATCH, WATERTIGHT, O.A., STEEL RING	ENGINE ROOM	MAIN DECK AFT PORT			ALUM./STEEL		
2-H4	#24"	HATCH, WATERTIGHT, O.A., STEEL RING	STEERING COMP.	MAIN DECK STERN C.L.			ALUM./STEEL		
2-H5	SEE DWG	HATCH, EQUIPMENT REMOVAL	STEERING COMP.	MAIN DECK STERN PORT			STEEL		SEE DETAIL 3-H5 & 3-H5A
2-H6	SEE DWG	HATCH, EQUIPMENT REMOVAL	STEERING COMP.	MAIN DECK STERN STBD			STEEL		SEE DETAIL 3-H6 & 3-H6A
<b>2ND DECK</b>									
3-H1	SEE DWG	HATCH, GENERATOR REMOVAL	ENGINE ROOM	2ND DECK AFT			ALUMINUM		SEE DETAIL 3-H1 & 3-H1A

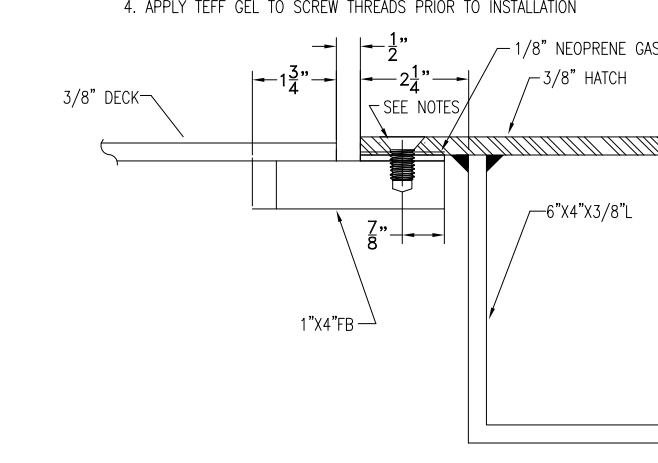


DETAIL 2-H5  
MAIN DECK Z-DRIVE HATCHES (2 EA)  
SCALE: 1/2" = 1'-0"  
MATERIAL: A36 STEEL



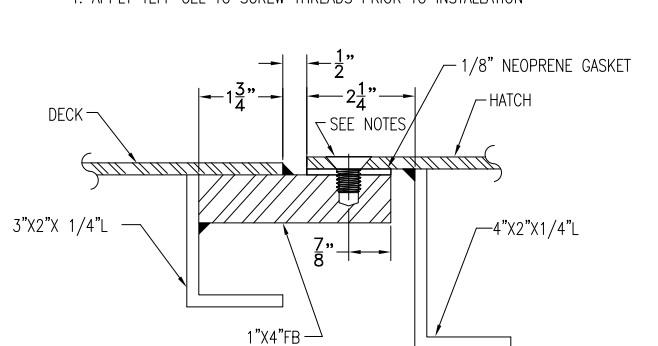
DETAIL 3-H1  
2ND DECK HATCH  
SCALE: 1/2" = 1'-0"  
MATERIAL: ALUMINUM, 5086-1116 PLATE, 6061-16 SHAPES

- NOTES:
1. DRILL & TAP 17x47B 1/2"-13 x 3/4" DEEP AND INSTALL 1# SS HELICAL INSERT (DO NOT BREAK THRU)
  2. COUNTERSINK HATCH COVER 3/8" x 8"
  3. INSTALL 1/2"-13 316 STAINLESS STEEL FLATHEAD SCREWS (6 PLACES)
  4. APPLY TEFY GEL TO SCREW THREADS PRIOR TO INSTALLATION



DETAIL 3-H5A  
MAIN DECK Z-DRIVE HATCH SECTION  
SCALE: 3" = 1'-0"

- NOTES:
1. DRILL & TAP 17x47B 1/2"-13 x 3/4" DEEP AND INSTALL 1# SS HELICAL INSERT (DO NOT BREAK THRU)
  2. COUNTERSINK HATCH COVER 3/8" x 8"
  3. INSTALL 1/2"-13 316 STAINLESS STEEL FLATHEAD SCREWS (6 PLACES)
  4. APPLY TEFY GEL TO SCREW THREADS PRIOR TO INSTALLATION



DETAIL 3-H1A  
2ND DECK HATCH CONNECTION SECTION  
SCALE: 3" = 1'-0"

PROPRIETARY RIGHTS

This document discloses matter in which DeJong & Lebet, Incorporated has proprietary rights. Neither receipt nor possession thereof confers or transfers any right to reproduce, disclose or use in any manner this document in whole or in part or any information contained herein, except by written permission, or without agreement with DeJong & Lebet, Incorporated.

In the event of a purchase of this document the purchaser is authorized to construct to more than one device in accord herewith, unless otherwise agreed to in writing by DeJong & Lebet, Incorporated.

© 2018 DeJong & Lebet, Inc.

**DeJong & Lebet, Inc.**

Naval Architects  
Marine Engineers  
Consultants  
Surveyors

1734 Emerson Street  
Jacksonville, Florida 32207  
www.dejongandlebet.com

Phone: (904) 599-1673  
Fax: (904) 599-1522  
Info@dejongandlebet.com

Title: 70.5'x30'x11" NCDOT TOWBOAT

**HATCHES & MANHOLES**

Dwg. No. 17-1372-167 Alt. No. 0  
Sht. 1 of 1

Drawn By: JAH Date: JULY 19, 2018  
Checked By: JAH Date: 7/19/18  
App'd By: JAH Scale: UNLESS NOTED OTHERWISE  
ABS App'l: JAH USCG App'l: JAH

