

WELD SCHEDULE-TYPICAL

WELD SCHEDULE-TYPICAL	3/16" V2 1/2-10	GIRDERS TO DECK PLATE
WELD SCHEDULE-TYPICAL	3/16" V2 1/2-12	1. STIFFENERS TO DECK PLATE 2. STIFFENERS TO BHOS
WELD SCHEDULE-TYPICAL	3/16" V2 1/2-12	1. CORNER BRACKETING 2. STIFFENER LAPS 3. MULLIONS @ ENDS
WELD SCHEDULE-TYPICAL	3/16" V2 1/2-12	LOWER BULKHEAD EDGE TO DECKS
WELD SCHEDULE-TYPICAL	3/16" V2 1/2-12	UPPER BULKHEAD EDGE TO DECKS

ALL DECKHOUSE CONSTRUCTION
5086 H116 AL. PLATING
6061-T6 AL. EXTRUSIONS



PROFESSIONAL ENGINEER

WILLIAM HAYDEN
LICENSE NO. 60106
STATE OF FLORIDA

DeJong & Lebet, Inc.
Naval Architects
Marine Engineers
Consultants
Surveyors

1734 Emerson Street
Jacksonville, Florida 32207
www.dejongandlebet.com

Phone: (904) 599-3673
Fax: (904) 599-1522
Info@dejongandlebet.com

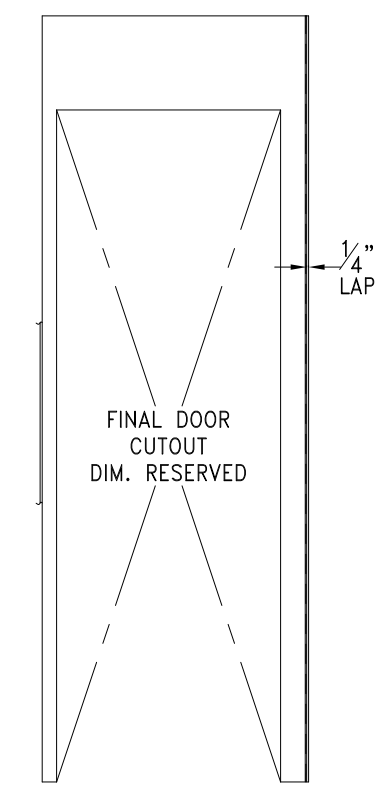
Title: 70.5'x30'x11' NCD0T TOWBOAT

2ND DECK DECKHOUSE
BHD STRUCTURAL DETAILS

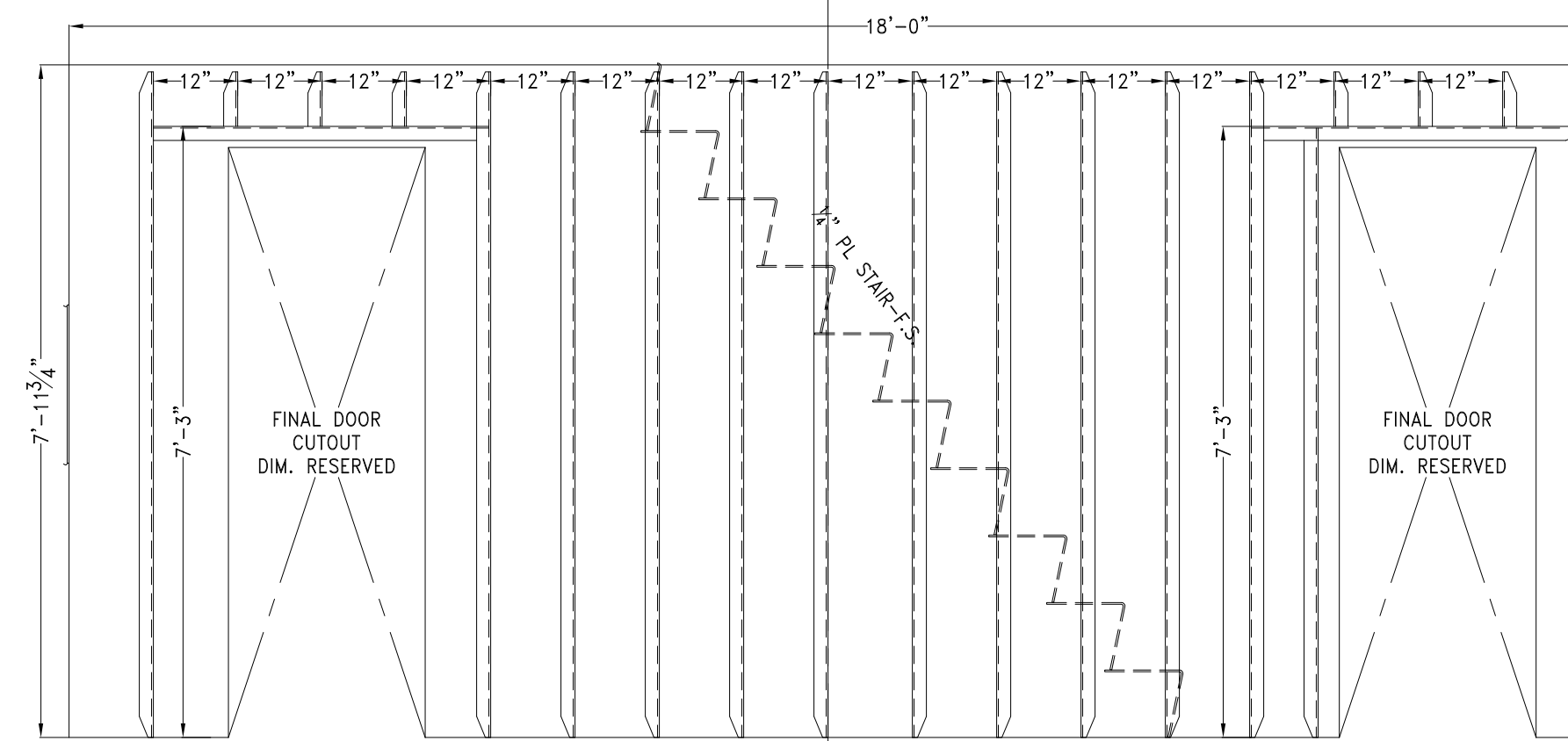
Dwg. No. 17-1372-153
Art. No. 0
Sht. 1 of 2

Drawn By: JACOB CONNALLY
Checked By:
App'd By:
ABS App'l:

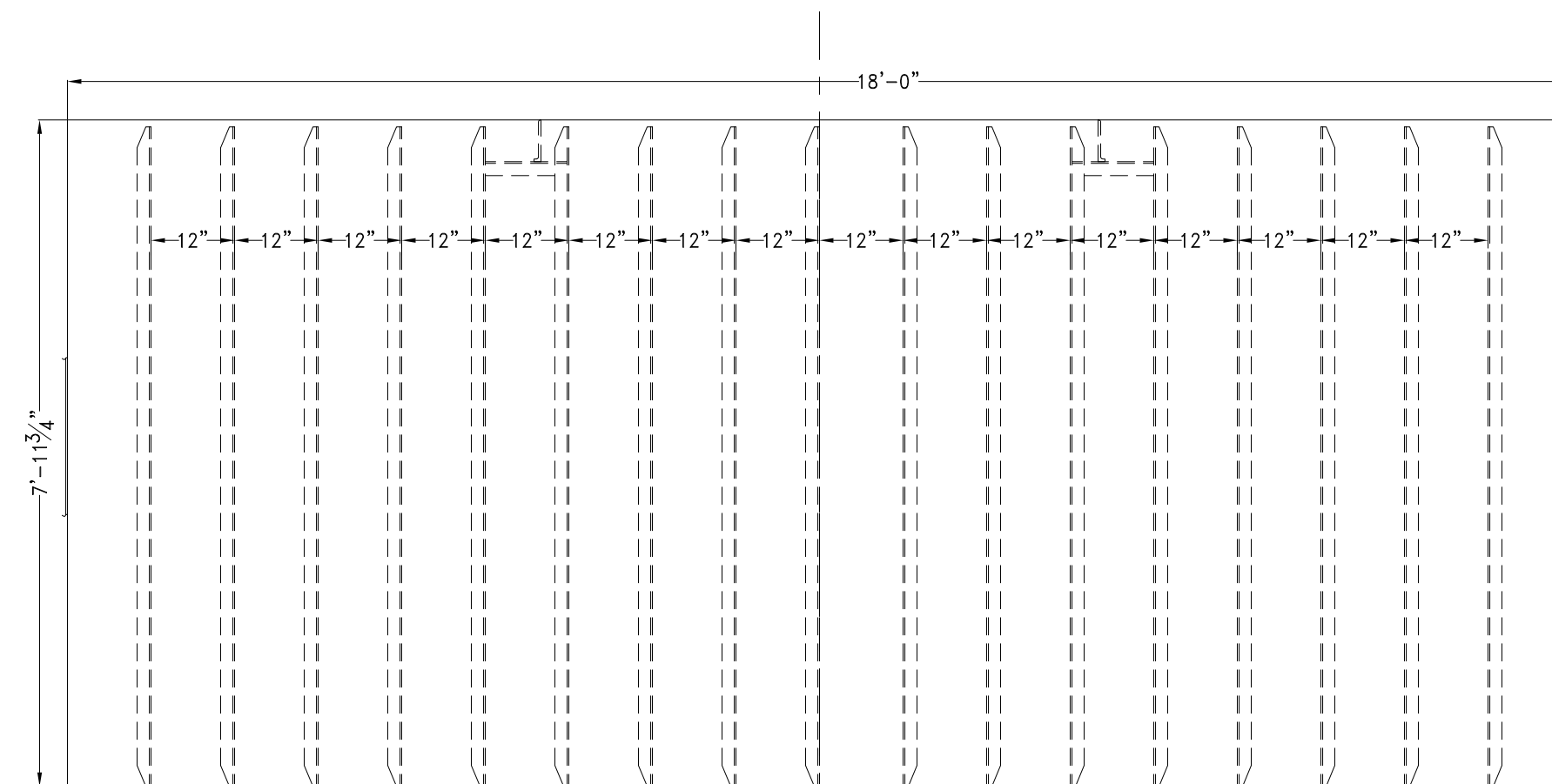
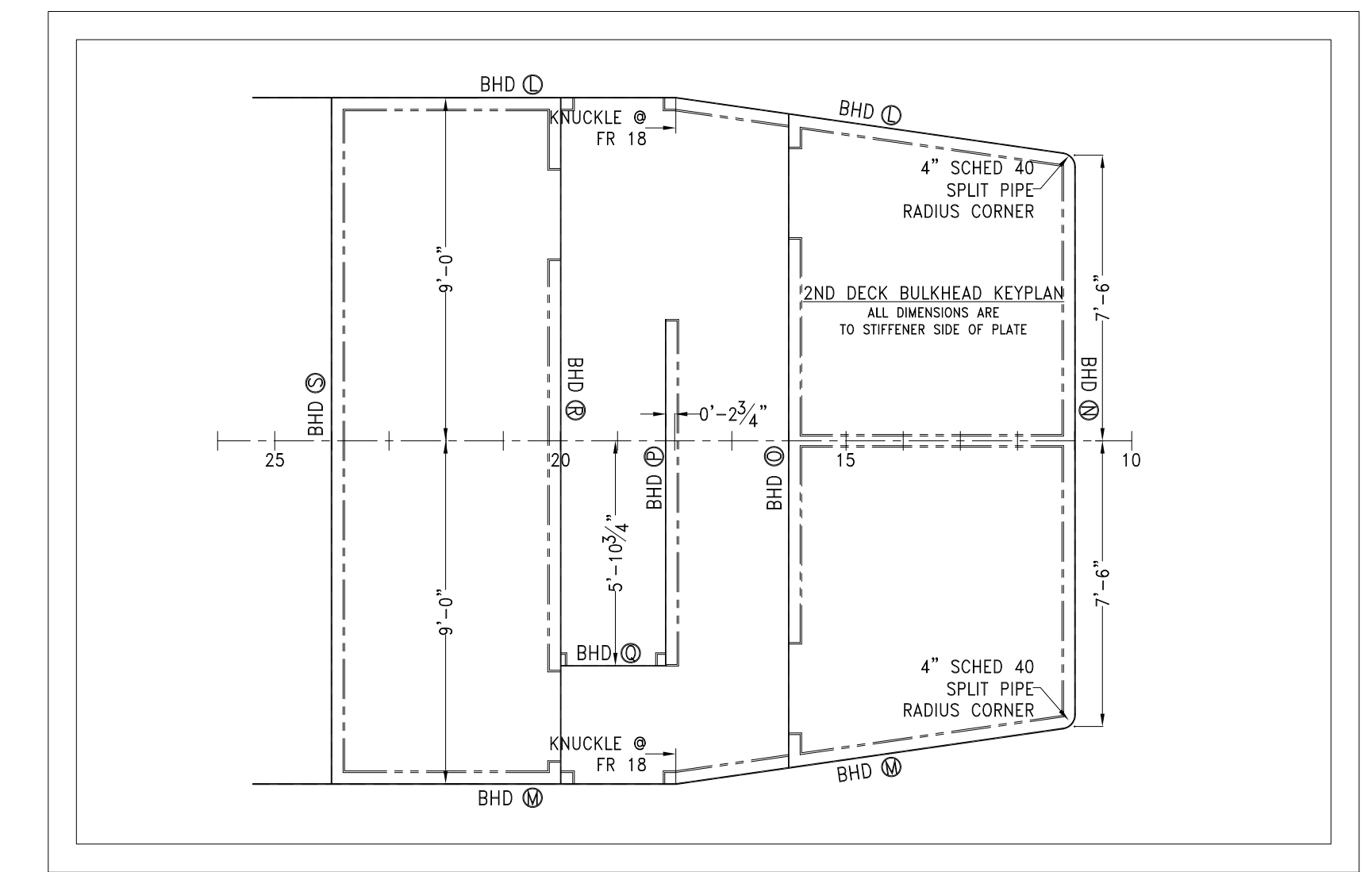
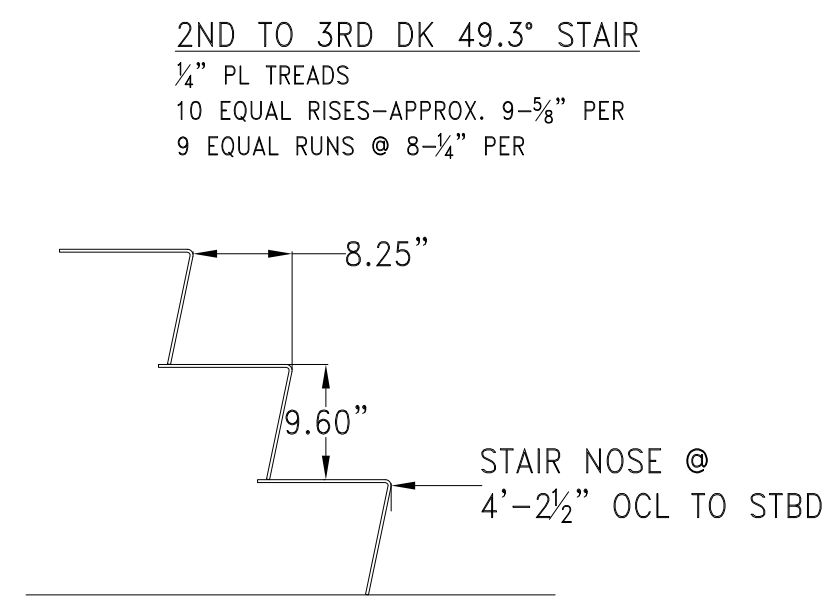
Date: JUNE 05, 2018
Date:
Scale: 1/2" = 1'-0"
USCG App'l:



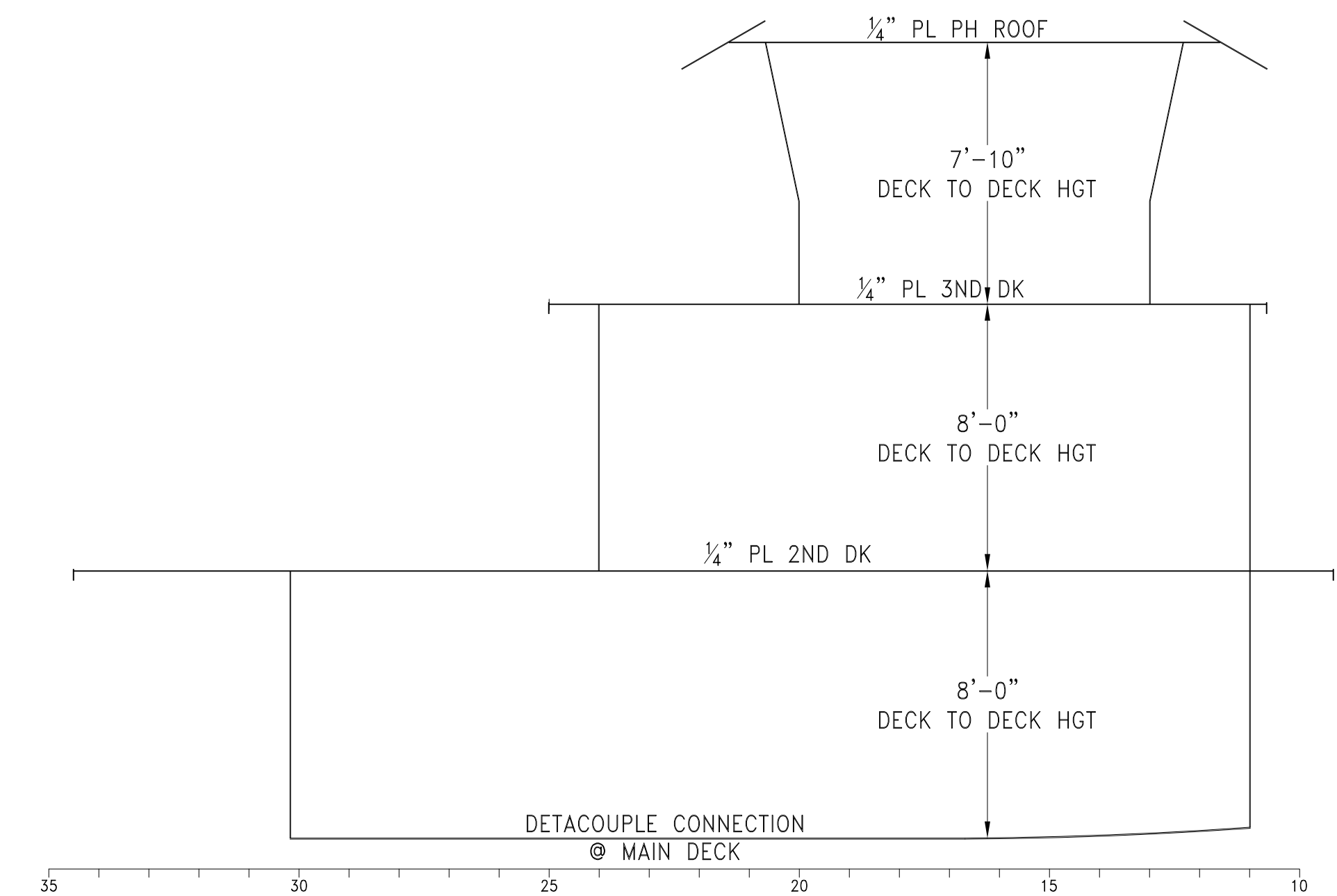
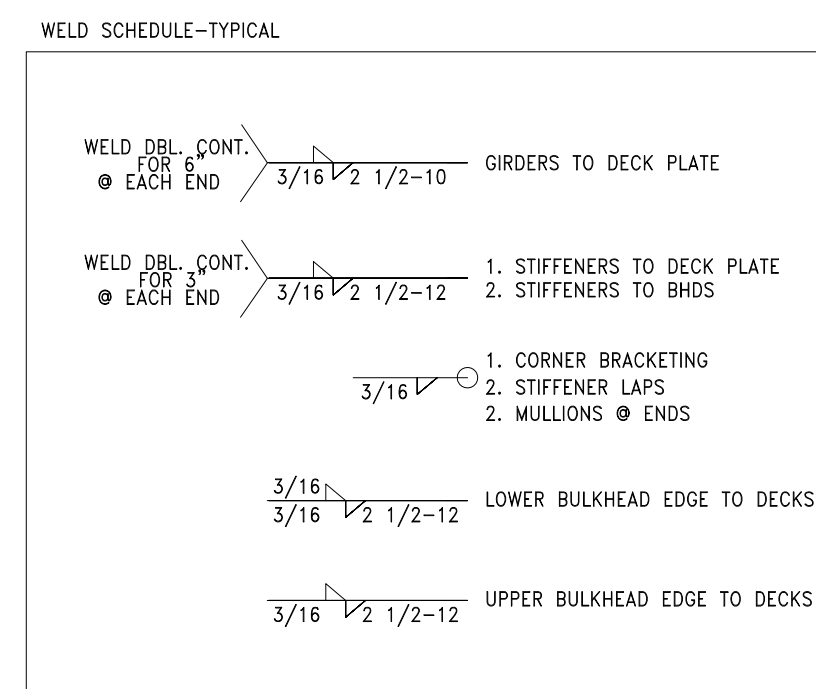
20 MAIN DECK BHD Ⓞ
 Ⓞ FRAME 20
 Ⓞ 5'-10 1/4" OCL TO STBD
 Ⓞ 1/2" PL W/ 3x2x3/8" L
 UNLESS OTHERWISE NOTED
 SHOWN LKG PORT



2ND DECK BHD Ⓞ
 Ⓞ FRAME 20
 Ⓞ 1/2" PL W/ 3x2x3/8" L
 UNLESS OTHERWISE NOTED
 SHOWN LKG FWD



2ND DECK BHD Ⓞ
 Ⓞ FRAME 20
 Ⓞ 1/2" PL W/ 3x2x3/8" L
 UNLESS OTHERWISE NOTED
 SHOWN LKG FWD



ALL DECKHOUSE CONSTRUCTION
 5086 H116 AL. PLATING
 6061-T6 AL. EXTRUSIONS

PROPRIETARY RIGHTS

This document discloses matter in which DeJong & Lebel, Incorporated has proprietary rights. Neither receipt nor possession thereof confers or transfers any right to reproduce, disclose or use in any manner this document in whole or in part or any information contained herein, except by written permission, in writing, signed by DeJong & Lebel, Incorporated.

In the event of a purchase of this document the purchaser is authorized to construct no more than one device in accord herewith, unless otherwise signed to in writing by DeJong & Lebel, Incorporated.

© 2018 by DeJong & Lebel, Inc.

DeJong & Lebel, Inc.
 Naval Architects
 Marine Engineers
 Consultants
 Surveyors

1734 Emerson Street
 Jacksonville, Florida 32207
 www.dejongandlebel.com

Phone: (904) 399-3673
 Fax: (904) 599-1522
 info@dejongandlebel.com

Title: 70.5'x30'x11' NCD0T TOWBOAT

**2ND DECK DECKHOUSE
 BHD STRUCTURAL DETAILS**

Dwg. No. 17-1372-153
 Alt. No. 0
 Sht. 2 of 2

Drawn By: JACOB CONNALLY Date: JUNE 05, 2018
 Checked By: Date: _____
 App'd By: Scale: 1/2" = 1'-0"
 ABS App'l: USCG App'l: _____