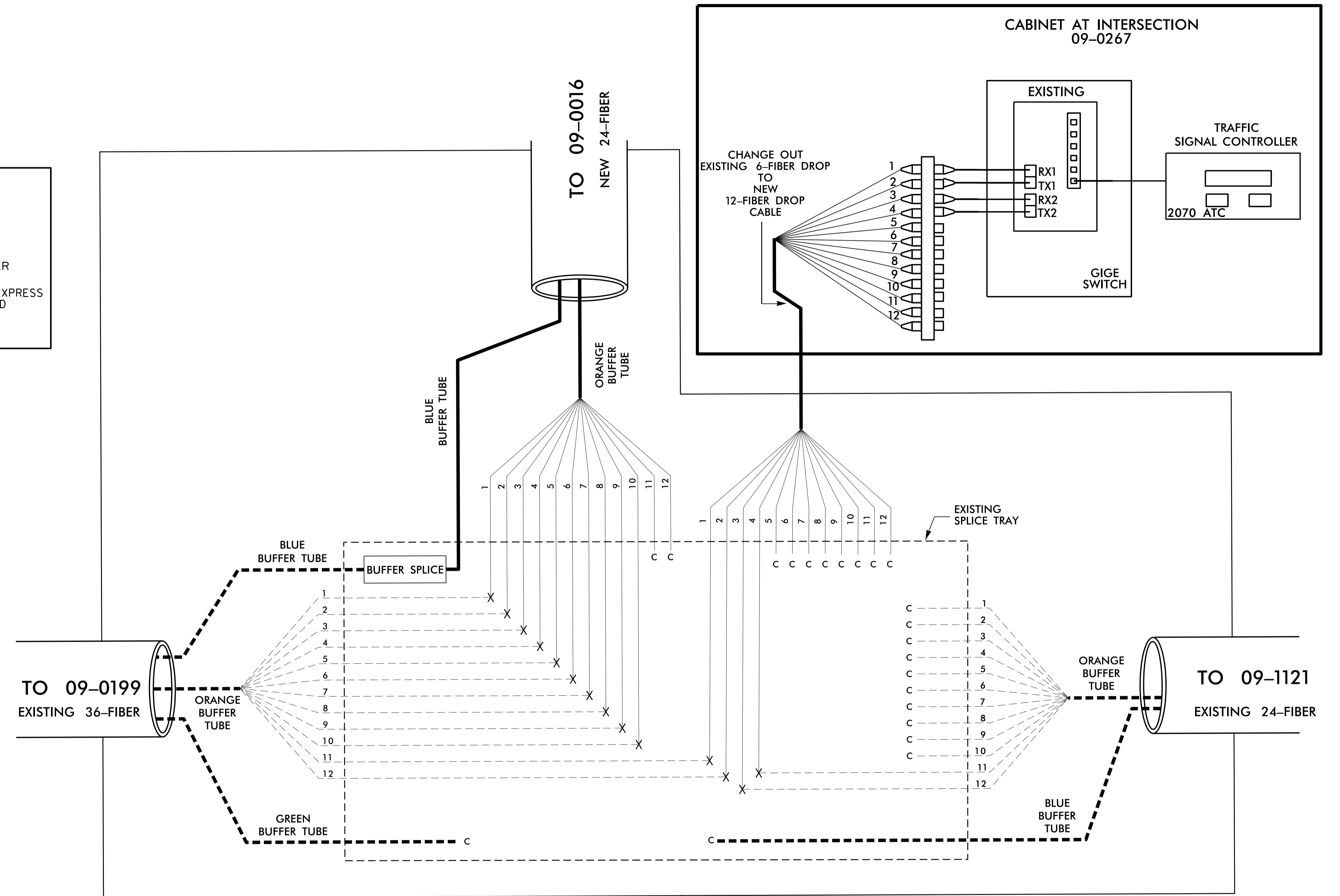


MODIFY EXISTING AERIAL SPLICE ENCLOSURE
AKRON DRIVE AT
LIBERTY STREET
SIG. INV. # 09-0267

Notes:
Unused fibers left coiled and stored in splice tray.
Unused Buffer Tubes left coiled and stored in splice tray.

COLOR CODE TIA/EIA 598-A		LEGEND	
(1) BLUE	(7) RED	C - CAP AND SEAL	EXPRESS THROUGH SPLICE FIBERS THROUGH OR EXPRESS ENTIRE BUFFER TUBE AS NOTED
(2) ORANGE	(8) BLACK	X - FUSION SPLICE INDIVIDUAL FIBER	
(3) GREEN	(9) YELLOW		
(4) BROWN	(10) VIOLET		
(5) SLATE	(11) ROSE		
(6) WHITE	(12) AQUA		

SPLICE PLANS SHOULD MATCH
SPLICE CONFIGURATIONS
RECORDED IN TMP PHASE 1
EXCEPT THE CHANGE OUT
FROM 6 TO 12
FIBER DROP CABLE.



- NOTES:
- 1) ETHERNET SWITCH TERMINATION CONFIGURATIONS ARE GENERIC. CONTRACTOR IS RESPONSIBLE FOR DETERMINING \ ENSURING PROPER TERMINATIONS.
 - 2) INCLUDE ON THE COVER OF EACH SPLICE TRAY THE FOLLOWING:
REFERENCE SECTION 1731 "FIBER OPTIC SPLICE ENCLOSURE"
 - 1) SPLICE LOCATION
 - 2) DATE
 - 3) COMPANY NAME
 - 4) NAME OF INDIVIDUAL PERFORMING THE SPLICING

PRIOR TO INSTALLING THE COVER ON THE SPLICE TRAY TAKE A DIGITAL PHOTOGRAPH SHOWING THE SPLICE TRAY AND INFORMATION SHOWN ABOVE (1-4) AND SUBMIT PHOTOGRAPH ALONG WITH OTDR TEST RESULTS.

FINAL PHASE

DOCUMENT NOT CONSIDERED FINAL
UNLESS ALL SIGNATURES COMPLETED

	<p>SPLICE PLANS</p>		
	<p>DIVISION 9 FORSYTH WINSTON SALEM</p> <p>PLAN DATE: DECEMBER 2017 REVIEWED BY: I. N. Ivery</p> <p>PREPARED BY: H. T. BERGGREN, EI</p>	<p>REVISIONS</p> <p>INIT. DATE</p>	
<p>750 N. Greenfield Pkwy., Garner, NC 27529</p>		<p>DATE</p>	<p>DATE</p>