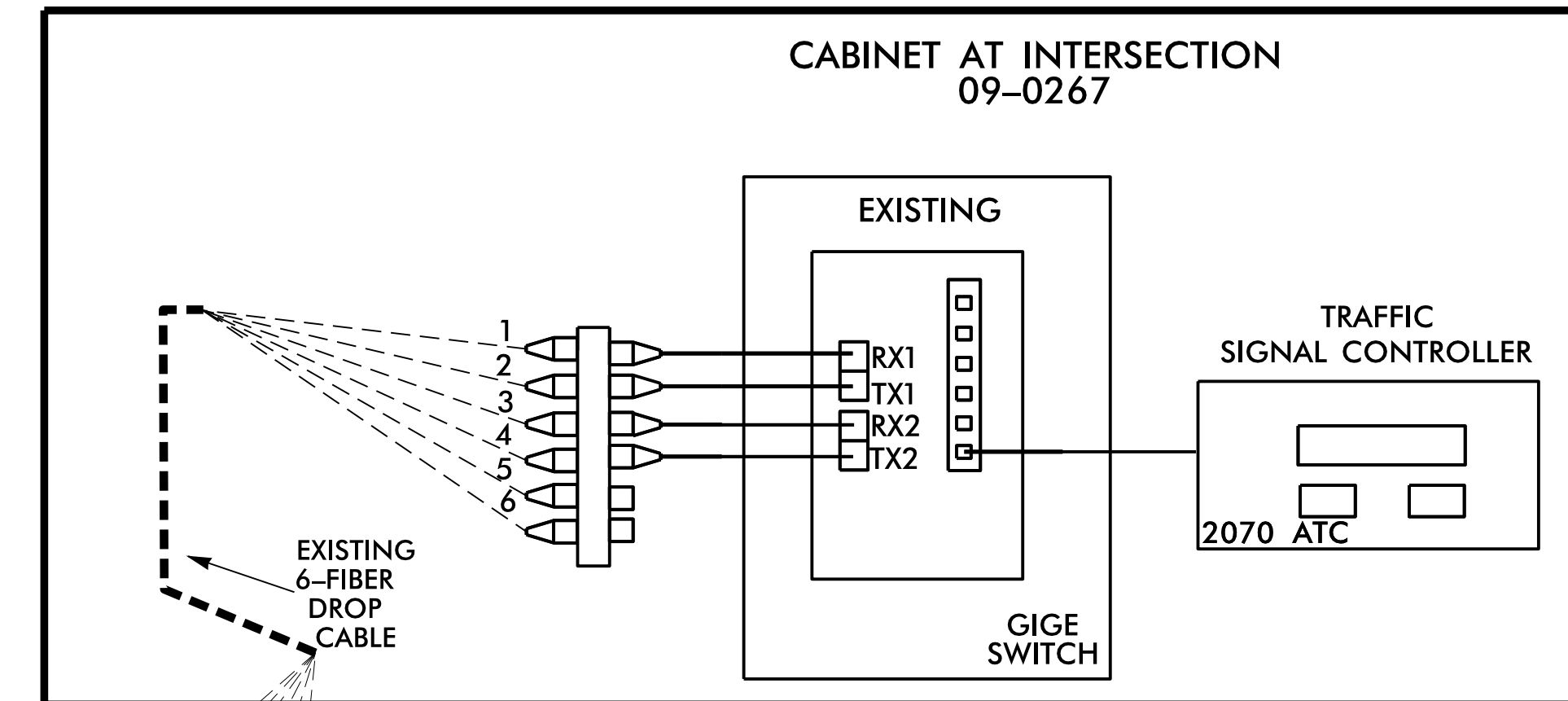


**MODIFY EXISTING AERIAL SPLICE ENCLOSURE
AKRON DRIVE AT
LIBERTY STREET
SIG. INV. # 09-0267**

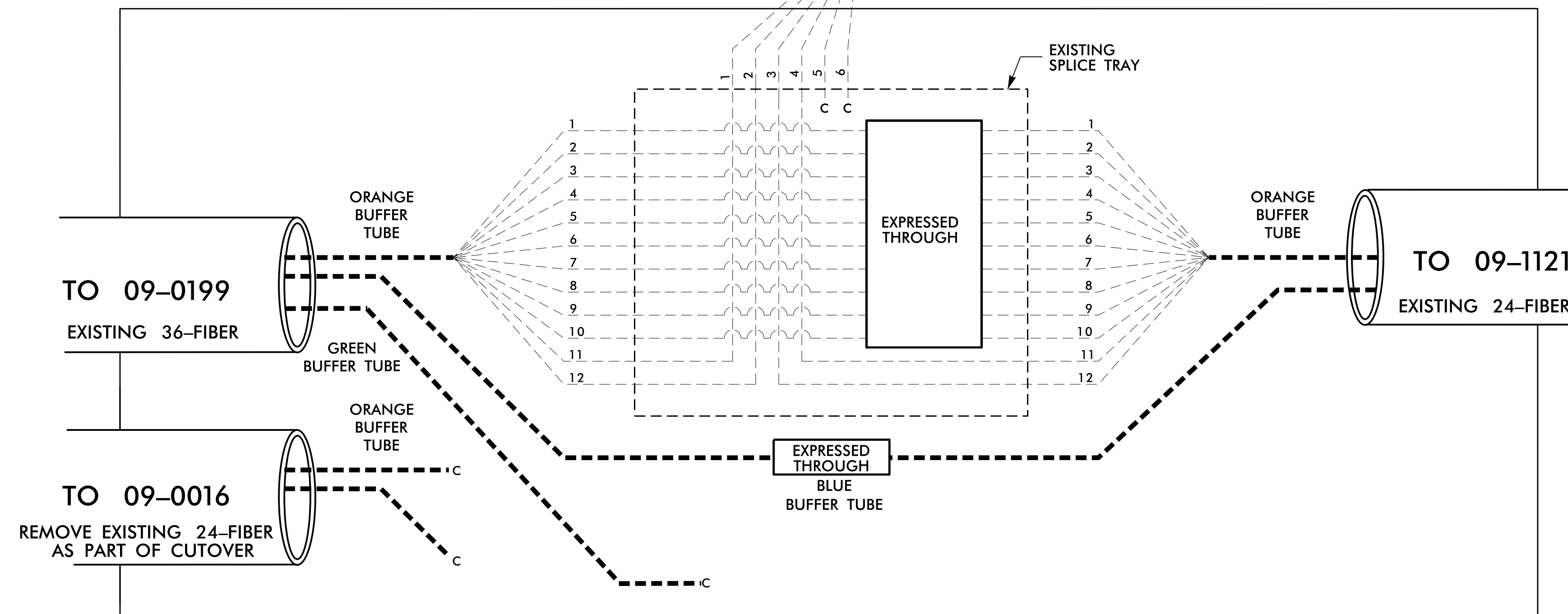
Notes:

Unused fibers left coiled and stored in splice tray.
Unused Buffer Tubes left coiled and stored in splice tray.

COLOR CODE TIA/EIA 598-A		LEGEND	
(1) BLUE	(7) RED	C - CAP AND SEAL	
(2) ORANGE	(8) BLACK	X - FUSION SPLICE INDIVIDUAL FIBER	
(3) GREEN	(9) YELLOW	EXPRESS THROUGH SPLICE FIBERS THROUGH OR EXPRESS ENTIRE BUFFER TUBE AS NOTED	
(4) BROWN	(10) VIOLET		
(5) SLATE	(11) ROSE		
(6) WHITE	(12) AQUA		



**24-FIBER CABLE FOR CITY OF
WINSTON SALEM "IS"
DEPARTMENT
DOES NOT ENTER THIS SIGNAL
SYSTEM SPLICE ENCLOSURE**



NOTES:

- ETHERNET SWITCH TERMINATION CONFIGURATIONS ARE GENERIC. CONTRACTOR IS RESPONSIBLE FOR DETERMINING \ ENSURING PROPER TERMINATIONS.
- INCLUDE ON THE COVER OF EACH SPLICE TRAY THE FOLLOWING:
REFERENCE SECTION 1731 "FIBER OPTIC SPLICE ENCLOSURE"

 - SPLICE LOCATION
 - DATE
 - COMPANY NAME
 - NAME OF INDIVIDUAL PERFORMING THE SPLICING

PRIOR TO INSTALLING THE COVER ON THE SPLICE TRAY TAKE A DIGITAL PHOTOGRAPH SHOWING THE SPLICE TRAY AND INFORMATION SHOWN ABOVE (1-4) AND SUBMIT PHOTOGRAPH ALONG WITH OTDR TEST RESULTS.

TMP PHASE 1

**DOCUMENT NOT CONSIDERED FINAL
UNLESS ALL SIGNATURES COMPLETED**

<p>750 N. Greenfield Pkwy., Garner, NC 27529</p>	<p>SPLICE PLANS</p>		
	<p>DIVISION 9 FORSYTH WINSTON SALEM</p> <p>PLAN DATE: DECEMBER 2017 REVIEWED BY: I. M. Berry</p> <p>PREPARED BY: H. T. BERGGREN, EI</p>	<p>REVISIONS</p> <p>INIT. DATE</p>	