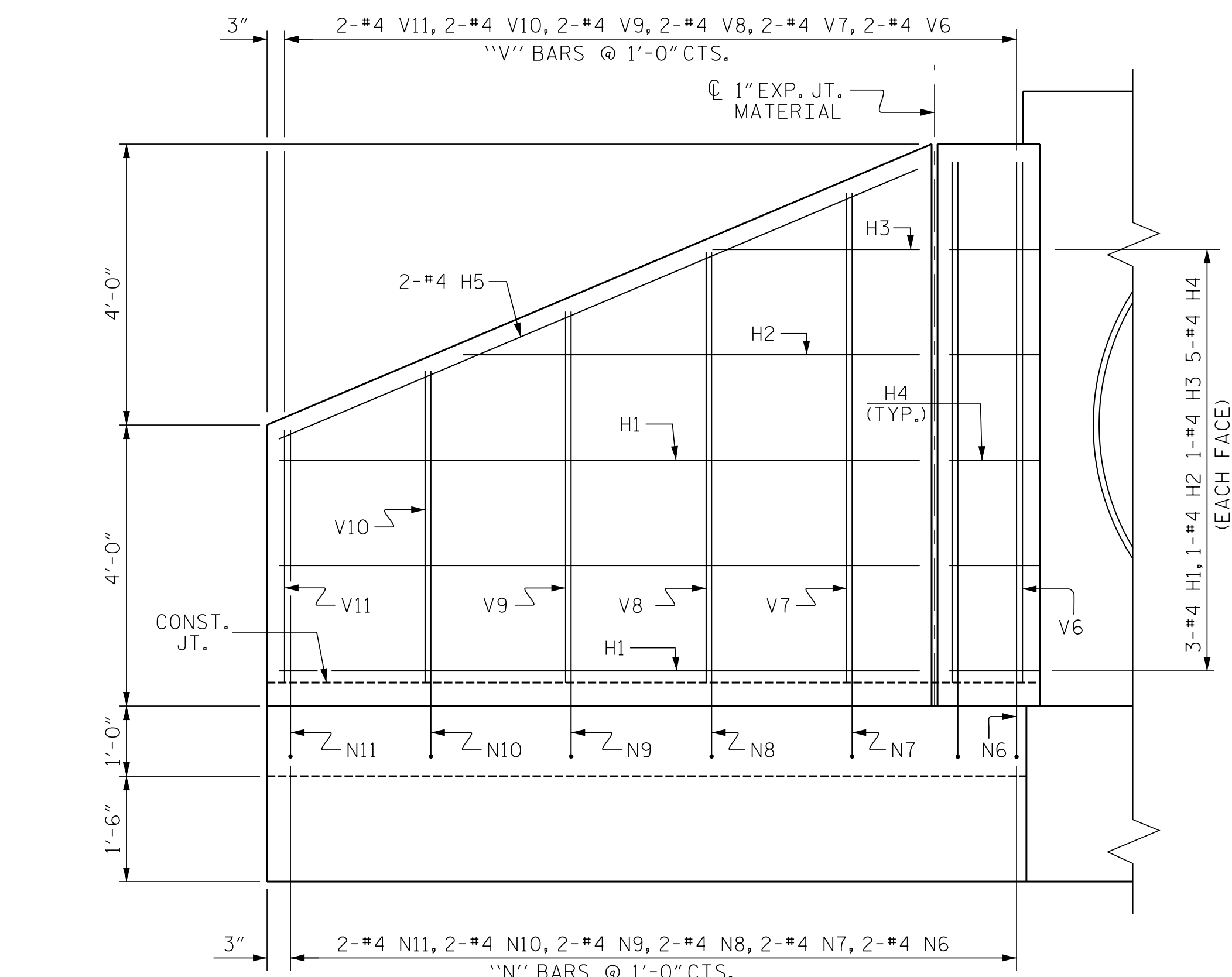
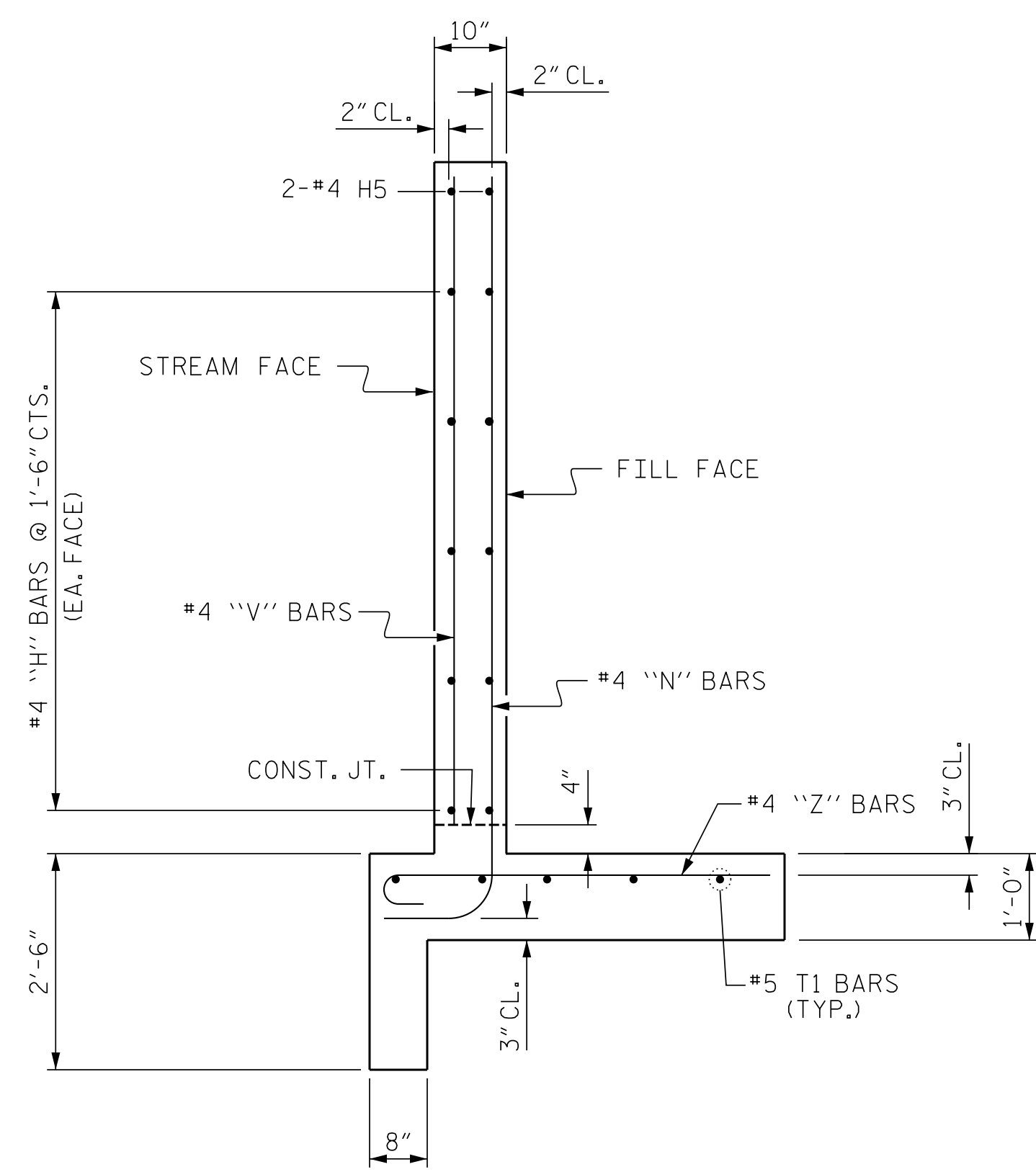


PLAN

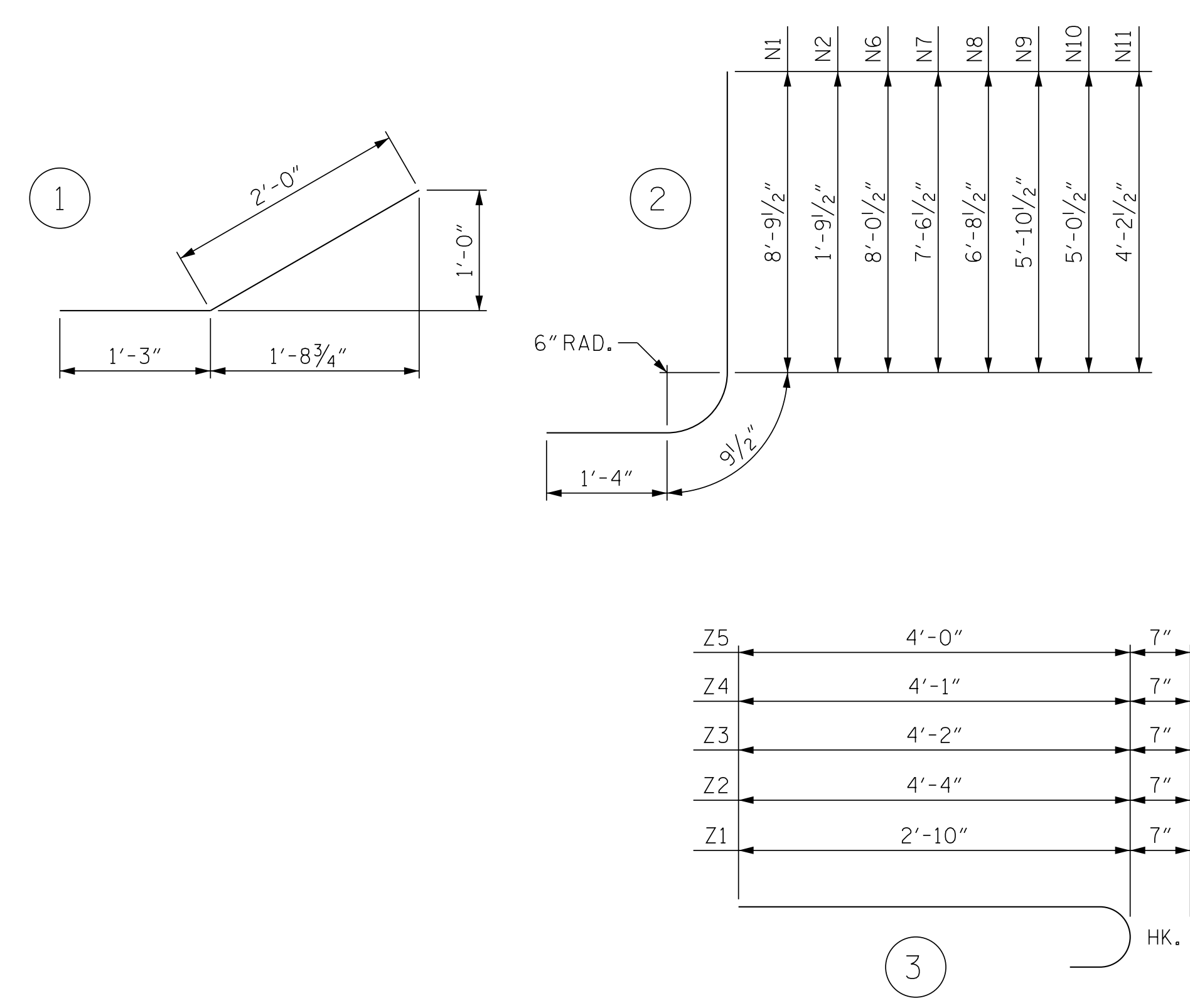


ELEVATION



TYPICAL WING SECTION

BAR TYPES



Z5	4'-0"	7"
Z4	4'-1"	7"
Z3	4'-2"	7"
Z2	4'-4"	7"
Z1	2'-10"	7"

BILL OF MATERIAL

BAR	NO.	SIZE	TYPE	LENGTH	WEIGHT
G1	6	#4	STR	10'-8"	43
G2	8	#4	STR	3'-3"	17
G3	8	#4	STR	2'-3"	12
G4	12	#4	STR	1'-9"	14
H1	12	#4	STR	9'-2"	73
H2	4	#4	STR	6'-6"	17
H3	4	#4	STR	3'-0"	8
H4	20	#4	1	3'-3"	43
H5	4	#4	STR	9'-10"	26
J1	4	#6	STR	6'-7"	40
J2	4	#6	STR	5'-0"	30
N1	6	#5	2	10'-11"	68
N2	2	#5	2	3'-11"	8
N3	2	#5	STR	2'-2"	5
N4	2	#5	STR	1'-4"	3
N5	2	#5	STR	1'-1"	2
N6	4	#4	2	10'-2"	27
N7	2	#4	2	9'-8"	13
N8	2	#4	2	8'-10"	12
N9	2	#4	2	8'-0"	11
N10	2	#4	2	7'-2"	10
N11	2	#4	2	6'-4"	8
T1	10	#5	STR	11'-0"	115
T2	3	#5	STR	15'-10"	50
T3	3	#8	STR	15'-10"	127
V1	6	#4	STR	8'-3"	33
V2	2	#4	STR	1'-3"	2
V3	2	#4	STR	2'-2"	3
V4	2	#4	STR	1'-4"	2
V5	2	#4	STR	1'-1"	1
V6	4	#4	STR	7'-5"	20
V7	4	#4	STR	7'-0"	19
V8	4	#4	STR	6'-2"	16
V9	4	#4	STR	5'-3"	14
V10	4	#4	STR	4'-5"	12
V11	4	#4	STR	3'-7"	10
Z1	22	#5	3	3'-5"	78
Z2	6	#4	3	4'-11"	20
Z3	6	#4	3	4'-9"	19
Z4	6	#4	3	4'-8"	19
Z5	6	#4	3	4'-7"	18

REINFORCING STEEL FOR 2 WINGS & OUTLET 1,067 LBS

CLASS A CONCRETE
 2 WINGS 8.0 CY
 1 OUTLET 3.7 CY
 END CURTAIN WALL 1.1 CY
 TOTAL 12.8 CY

PROJECT NO. R-3825B
 JOHNSTON COUNTY
 STATION: 114+23.00 -L-

SHEET 7 OF 7

STATE OF NORTH CAROLINA
 DEPARTMENT OF TRANSPORTATION
 RALEIGH

WING DETAILS

H = 8'-0" SLOPE = 2:1
 90° SKEW



7/17/2018 8:15:56 AM EDT

DOCUMENT NOT CONSIDERED FINAL UNLESS ALL SIGNATURES COMPLETED

REVISIONS						SHEET NO. C2-7
NO.	BY:	DATE:	NO.	BY:	DATE:	
1			3			TOTAL SHEETS 7
2			4			