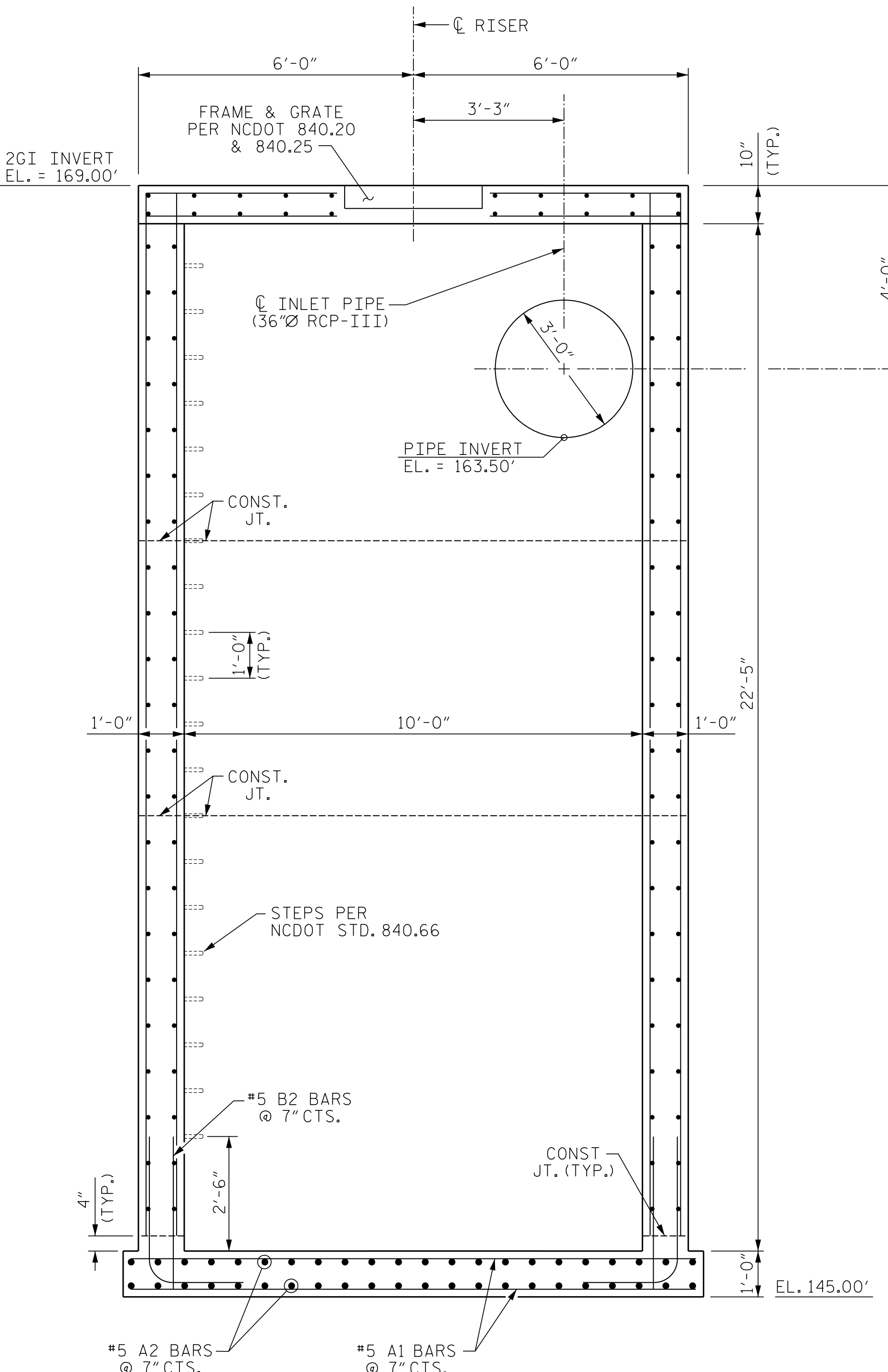
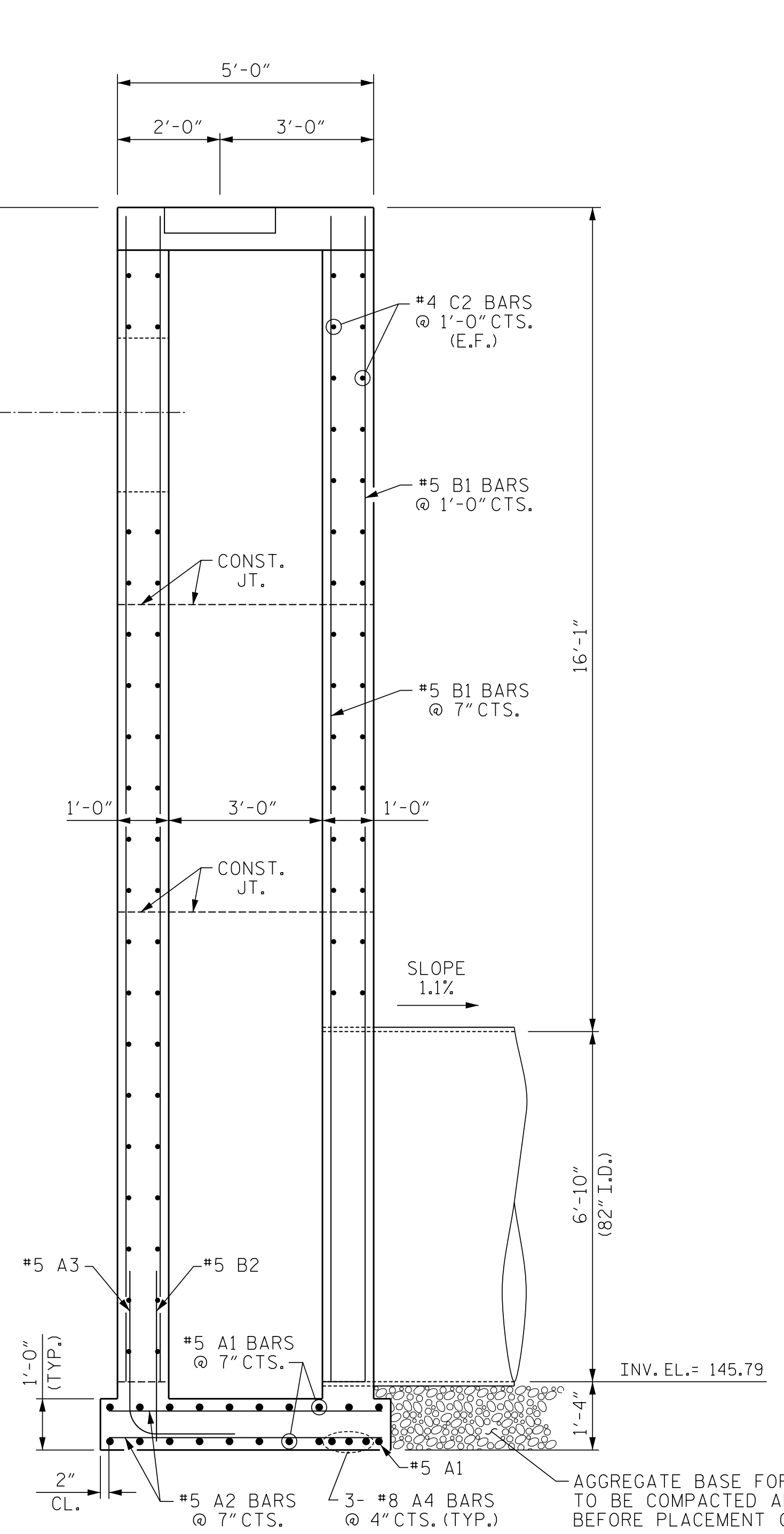


SECTION LOOKING SOUTH  
FOR SECTION A-A, SEE SHEET C2-5.



SECTION LOOKING NORTH

2GI RISER DETAILS



LOOKING EAST

PROJECT NO. R-3825B  
JOHNSTON COUNTY  
 STATION: 114+23.00 -L-

SHEET 4 OF 7

STATE OF NORTH CAROLINA  
 DEPARTMENT OF TRANSPORTATION  
 RALEIGH  
 84" OD WELDED STEEL  
 PIPE W/ RISER STRUCTURE  
 ON UT TO NEUSE RIVER  
 UNDER NC 42 BETWEEN  
 SR 1704 AND SR 2677



7/17/2018 8:15:56 AM EDT

DOCUMENT NOT CONSIDERED  
 FINAL UNLESS ALL  
 SIGNATURES COMPLETED

**V&M**  
 Vaughn & Melton  
 Consulting Engineers  
 Asheville, North Carolina  
 828-253-2796

- Boone, NC 828-355-9933
- Tri-Cities, TN 423-467-8401
- Knoxville, TN 865-546-5800
- Spartanburg, SC 864-574-4715
- Charleston, SC 843-934-5550
- Middleboro, KY 606-248-6600
- Atlanta, GA 770-627-3590
- Raleigh, NC 919-977-9455
- Charlotte, NC 704-357-0488

Copyright © 2006 Vaughn & Melton, Inc. All Rights Reserved

DSG. ENG. OF RECORD: CB  
 DWN. BY: MAF DATE: 3/18  
 CHKD. BY: HLW DATE: 3/18

REVISIONS						SHEET NO. C2-4
NO.	BY:	DATE:	NO.	BY:	DATE:	
1			3			TOTAL SHEETS 7
2			4			

V & M PROJECT NO.: 31740-03