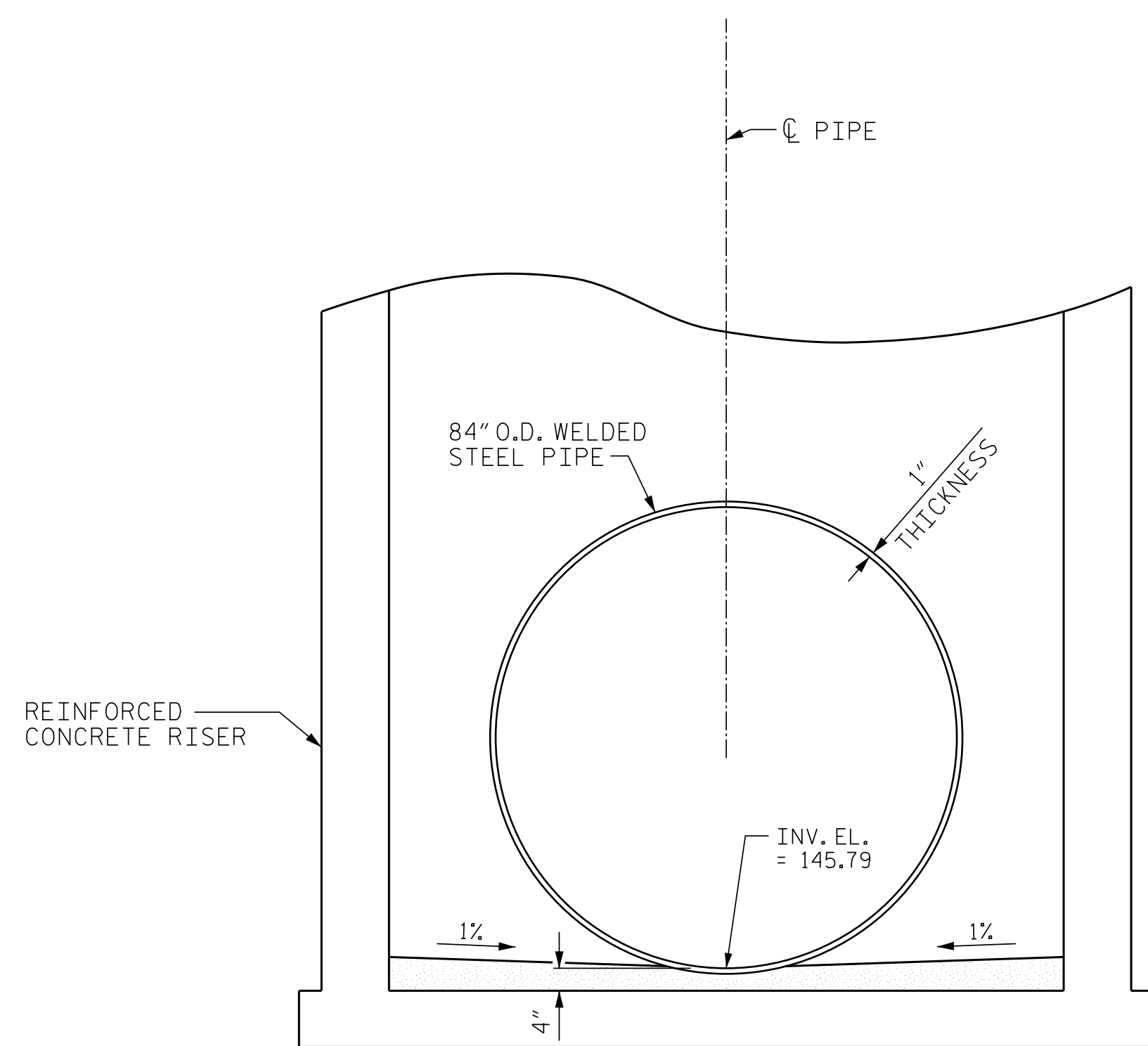
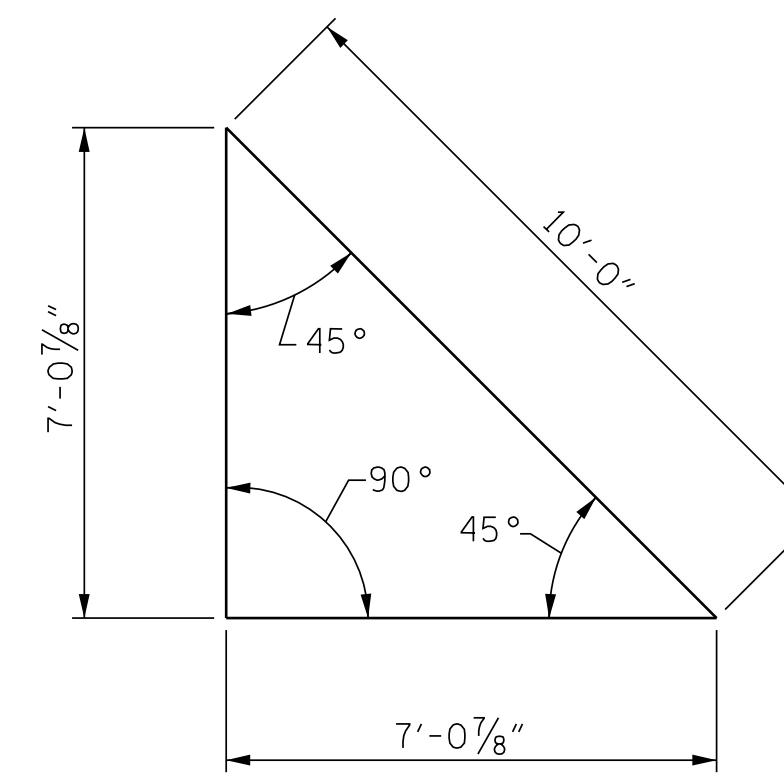


PLAN VIEW AT PIPE INLET



ELEVATION VIEW AT PIPE INLET



SKIEW TRIANGLE

PROJECT NO. R-3825B
JOHNSTON COUNTY
 STATION: 114+23.00 -L-

SHEET 3 OF 7

STATE OF NORTH CAROLINA
 DEPARTMENT OF TRANSPORTATION
 RALEIGH

84" OD WELDED STEEL
 PIPE W/ RISER STRUCTURE
 ON UT TO NEUSE RIVER
 UNDER NC 42 BETWEEN
 SR 1704 AND SR 2677



7/17/2018 8:15:56 AM EDT

DOCUMENT NOT CONSIDERED
 FINAL UNLESS ALL
 SIGNATURES COMPLETED

V&M
Vaughn & Melton
 Consulting Engineers

Asheville, North Carolina 828-253-2796

Boone, NC 828-355-9933
 Tri-Cities, TN 423-467-8401
 Knoxville, TN 865-546-5800
 Spartanburg, SC 864-574-4715
 Charleston, SC 843-934-5550
 Middleboro, KY 606-248-6600
 Atlanta, GA 770-627-3590

Raleigh, NC 919-977-9455
 Charlotte, NC 704-357-0488

Copyright © 2006 Vaughn & Melton, Inc. All Rights Reserved

DSG. ENG. OF RECORD: CB
 DWN. BY: MAF DATE: 3/18
 CHKD. BY: HLW DATE: 3/18

REVISIONS

NO.	BY:	DATE:	NO.	BY:	DATE:
1			3		
2			4		

SHEET NO.
 C2-3
 TOTAL SHEETS
 7