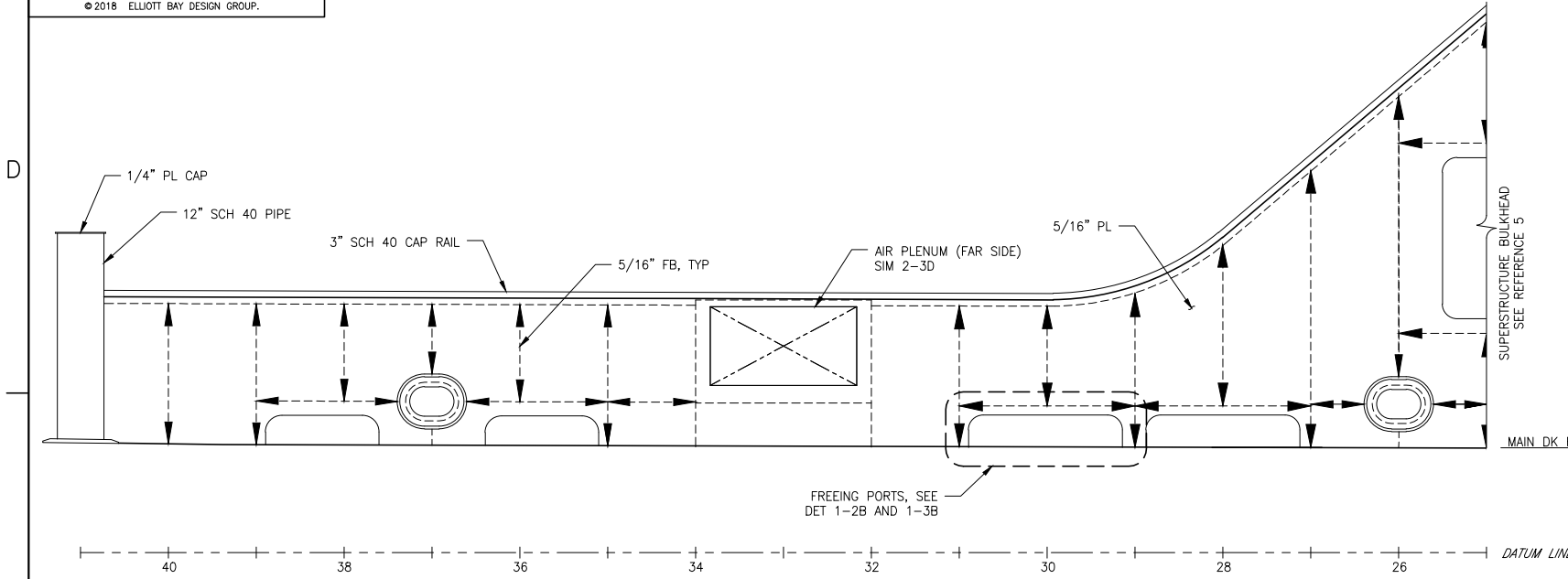
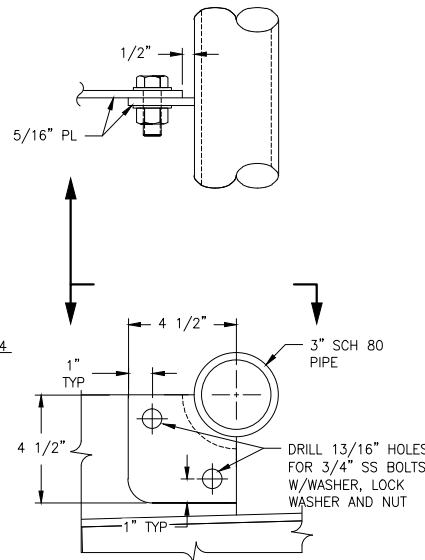


CONFIDENTIAL AND PROPRIETARY PROPERTY OF  
**EBDG - NC, PLLC**  
 MAY NOT BE USED FOR CONSTRUCTION OR PROVIDED TO  
 ANY THIRD PARTIES WITHOUT PRIOR WRITTEN CONSENT.  
 ©2018 ELLIOTT BAY DESIGN GROUP.

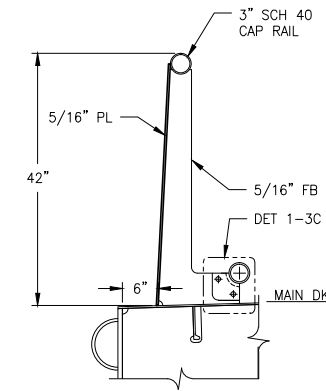
REVISION HISTORY					
REV	ZONE	DESCRIPTION	DWN	DATE	APVD
A	SHT1 SHT2	1. MOVED BULKWARK END POSTS ENDWARDS 24".	SKW	8/2/18	SKW



**LONGITUDINAL ELEVATION 1-5C**  
 STARBOARD BULKWARK - B END  
 LOOKING TO CENTERLINE  
 SCALE: 1/2"=1'-0"



**DETAIL 1-3C**  
 TYPICAL RUB RAIL ATTACHMENT  
 SCALE: 3/4"=1'-0"



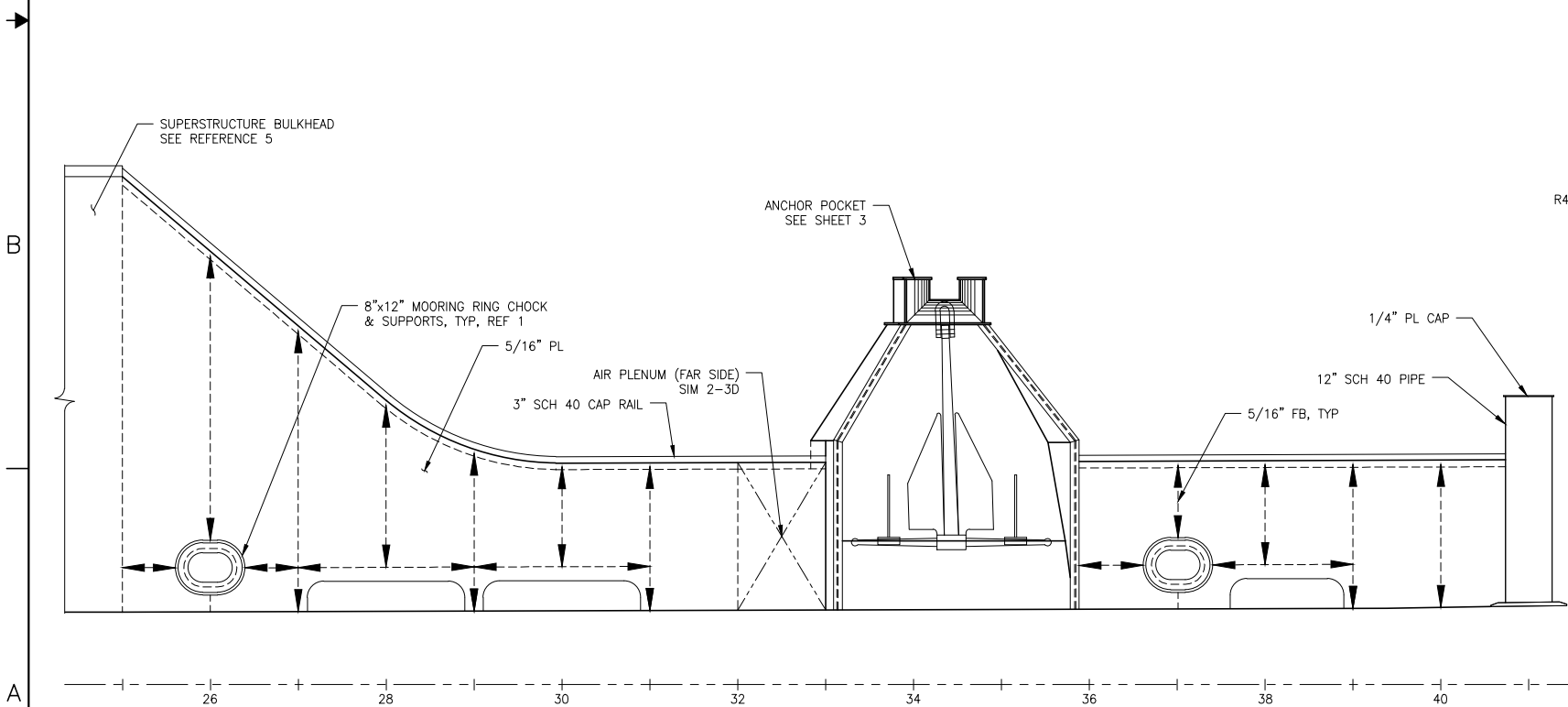
**SECTION 1-2C**  
 TYPICAL BULKWARK STRUCTURE  
 SCALE: 3/4"=1'-0"

**GENERAL NOTES**

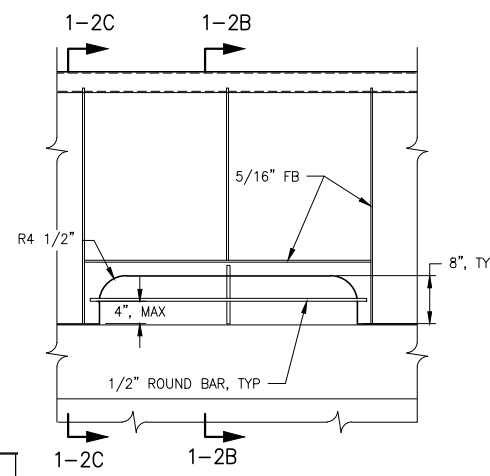
1. VESSEL TO BE CONSTRUCTED IN ACCORDANCE WITH 46 CFR SUBCHAPTER H REGULATIONS.
2. FRAME SPACING IS 24".
3. CONTRACTOR SHALL VERIFY STRUCTURE FOR ALL FOUNDATIONS PRIOR TO CONSTRUCTION. SEE REF 1.

**REFERENCES**

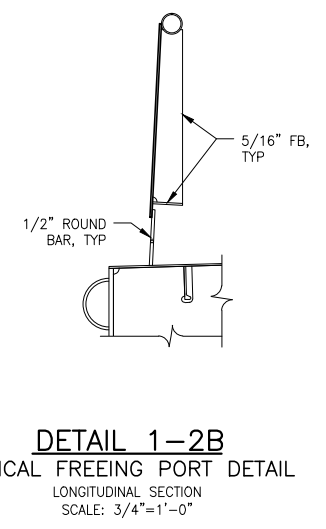
1. 18026-200-832-1 TECHNICAL SPECIFICATION
2. 18026-200-101-1 PROFILES AND DECK ARRANGEMENTS
3. 18026-200-120-1 MIDSHIP SECTION
4. 18026-200-130-1 MAIN DECK
5. 18026-200-150-1 SUPERSTRUCTURE, MAIN DECK TO 01 DECK
6. 18026-200-513-1 MACHINERY VENTILATION ARRANGEMENT



**LONGITUDINAL ELEVATION 1-5A**  
 STARBOARD BULKWARK - A END  
 LOOKING TO CENTERLINE  
 SCALE: 1/2"=1'-0"



**DETAIL 1-3B**  
 TYPICAL FREEING PORT DETAIL  
 LOOKING OUTBOARD  
 SCALE: 3/4"=1'-0"



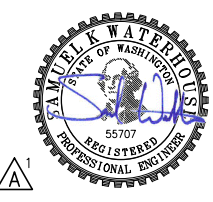
**DETAIL 1-2B**  
 TYPICAL FREEING PORT DETAIL  
 LONGITUDINAL SECTION  
 SCALE: 3/4"=1'-0"



**Elliott Bay Design Group**  
 North Carolina, PLLC

CLIENT: NORTH CAROLINA D.O.T.  
 RALEIGH, NORTH CAROLINA  
 PROJECT: DOUBLE-ENDED AZIMUTH DRIVE FERRY

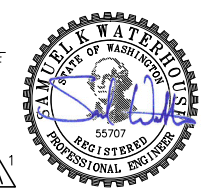
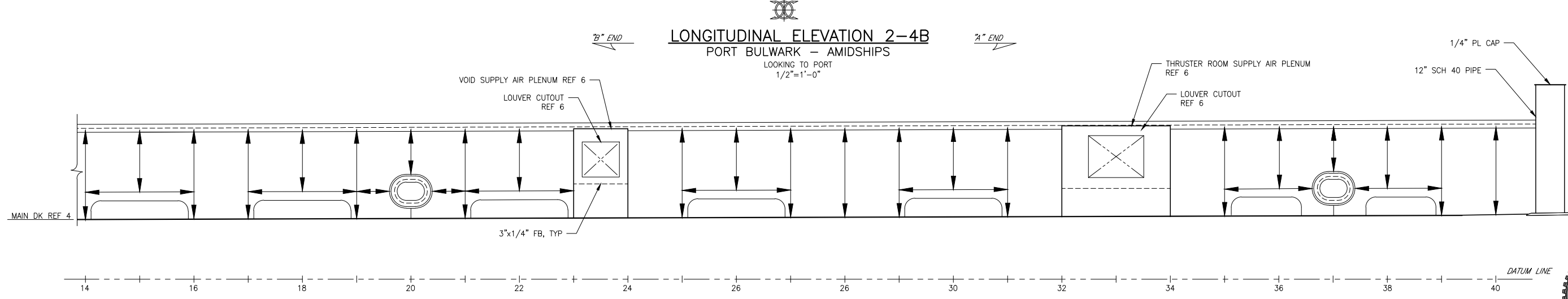
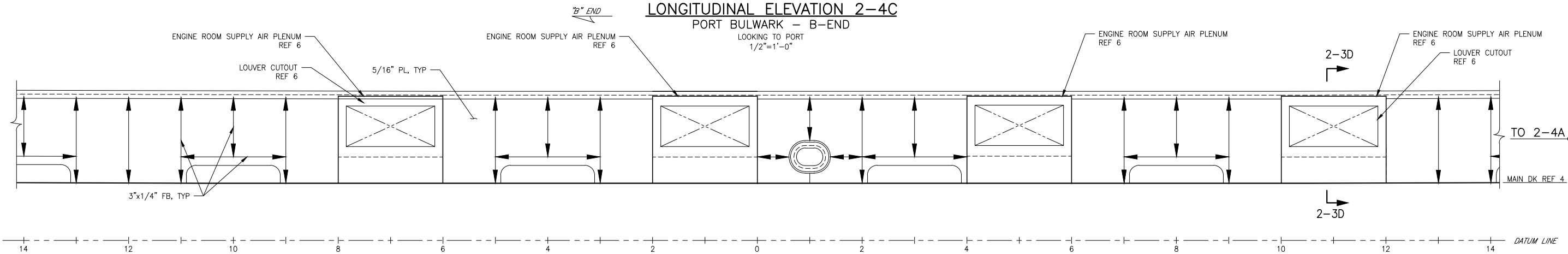
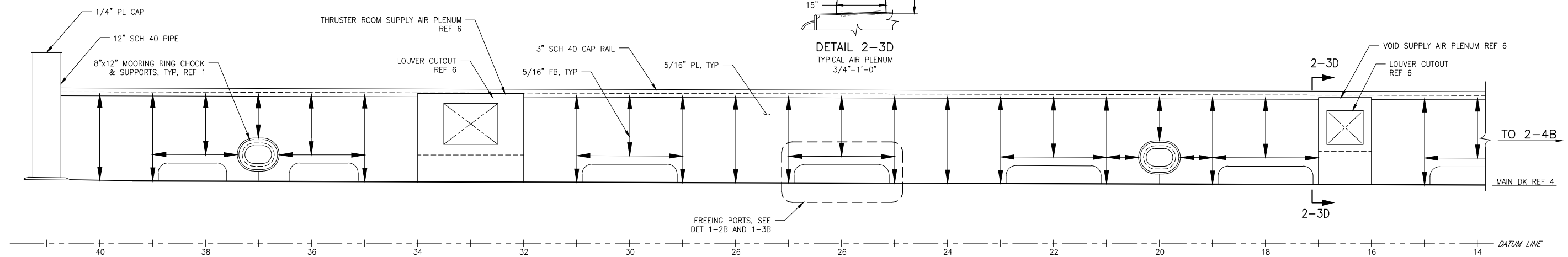
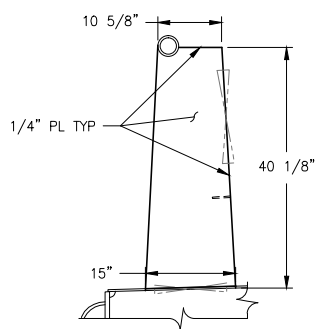
**MAIN DECK BULKWARKS**



SIZE	D	DWG NO.	18026-200-150-3	REV	A
SCALE	AS NOTED	FILE NAME	18026-200-150-3A	SHEET	1 OF 3
DWN	SKW	MOD	SKW	CND	MEJ
APVD	SKW	APVD DATE	7/26/2018		

8/3/2018 2:44:36 PM

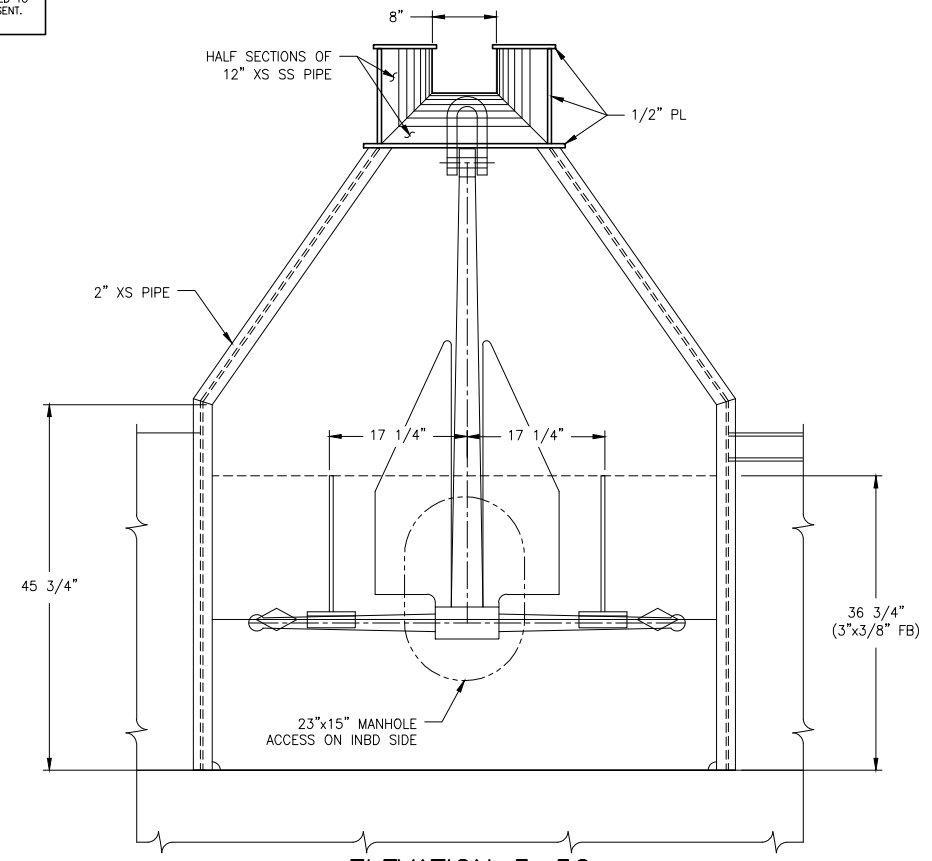
CONFIDENTIAL AND PROPRIETARY PROPERTY OF  
**EBDG - NC, PLLC**  
 MAY NOT BE USED FOR CONSTRUCTION OR PROVIDED TO  
 ANY THIRD PARTIES WITHOUT PRIOR WRITTEN CONSENT.  
 ©2018 ELLIOTT BAY DESIGN GROUP.



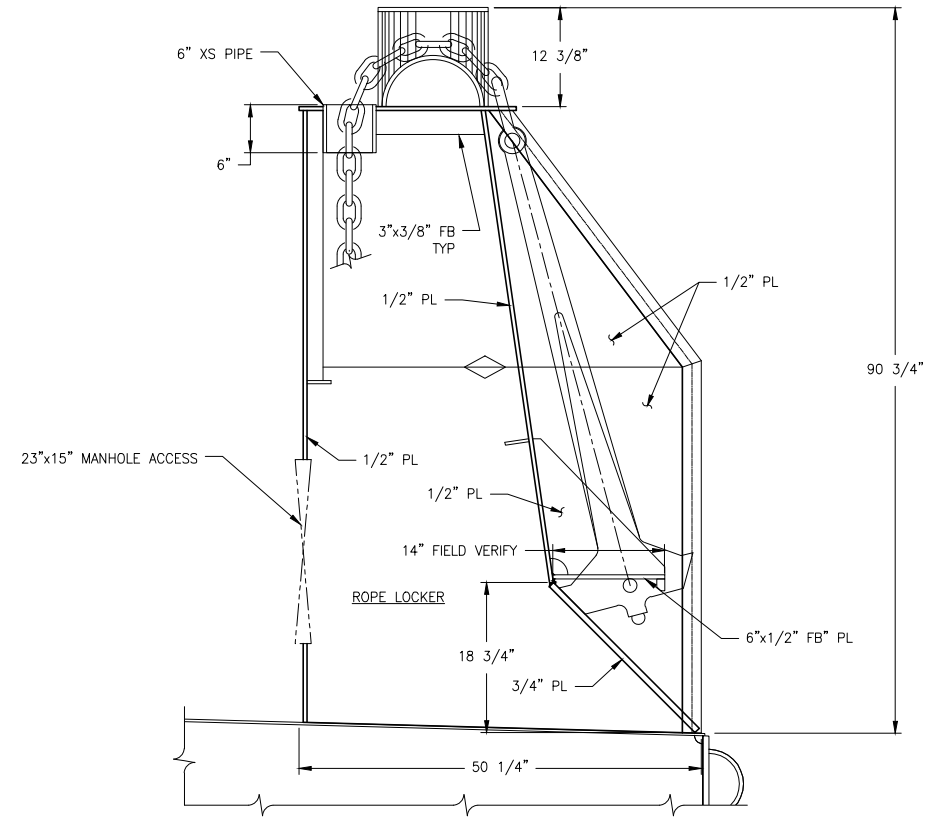
SIZE	D	DWG NO.	18026-200-150-3	REV	A
SCALE	AS NOTED	FILE NAME	18026-200-150-3A	SHEET	2 OF 3

8/3/2018 2:44:43 PM

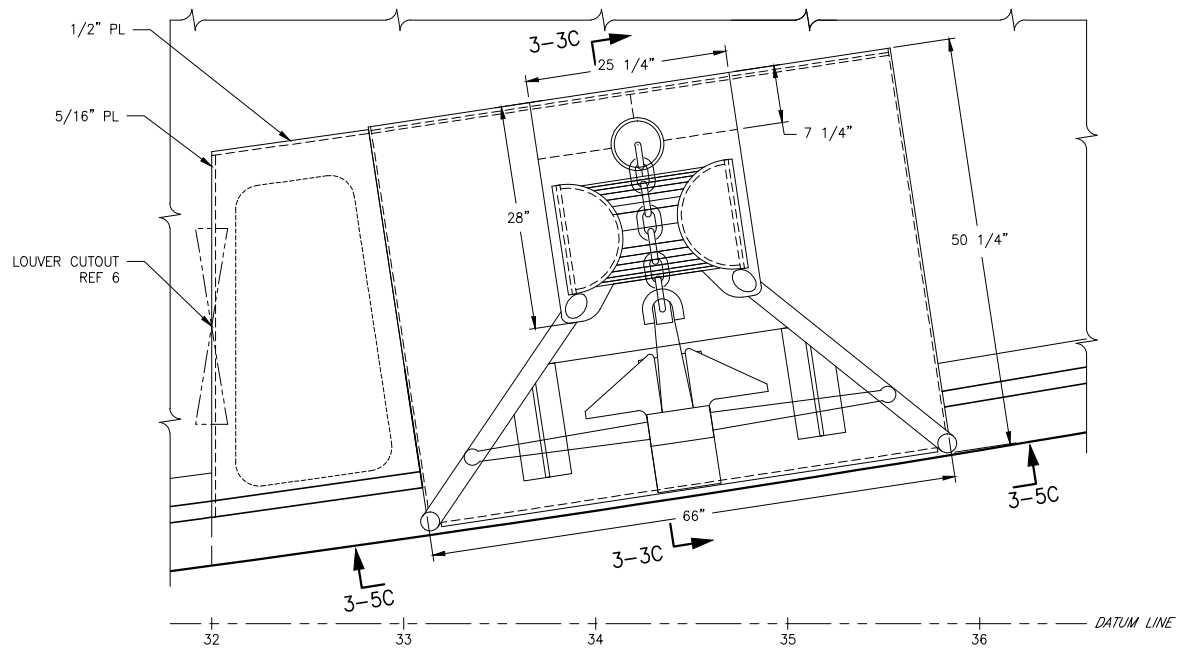
CONFIDENTIAL AND PROPRIETARY PROPERTY OF  
**EBDG - NC, PLLC**  
 MAY NOT BE USED FOR CONSTRUCTION OR PROVIDED TO  
 ANY THIRD PARTIES WITHOUT PRIOR WRITTEN CONSENT.  
 ©2018 ELLIOTT BAY DESIGN GROUP.



**ELEVATION 3-5C**  
 ANCHOR POCKET LOOKING INBD  
 SCALE: 1"=1'-0"



**SECT 3-3C**  
 ANCHOR POCKET LOOKING FWD  
 SCALE: 1"=1'-0"



**PLAN 3-5A**  
 ANCHOR POCKET AND AIR PLENUM  
 SCALE: 1"=1'-0"



SIZE	D	DWG NO.	18026-200-150-3	REV	A
SCALE	AS NOTED	FILE NAME	18026-200-150-3A	SHEET	3 OF 3

8/3/2018 2:44:46 PM