

CONFIDENTIAL AND PROPRIETARY PROPERTY OF
EBDG - NC, PLLC
 MAY NOT BE USED FOR CONSTRUCTION OR PROVIDED TO
 ANY THIRD PARTIES WITHOUT PRIOR WRITTEN CONSENT.
 © 2018 ELLIOTT BAY DESIGN GROUP.

REVISION HISTORY

REV	ZONE	DESCRIPTION	DWN	DATE	APVD
-----	------	-------------	-----	------	------

GENERAL NOTES

1. VESSEL TO BE CONSTRUCTED IN ACCORDANCE WITH 46 CFR SUBCHAPTER H REGULATIONS.
2. FRAME SPACING IS 24".
3. TRANSVERSE BULKHEAD STIFFENER SPACING = 24" U.N.O.
4. CONTRACTOR SHALL VERIFY STRUCTURE FOR ALL FOUNDATIONS PRIOR TO CONSTRUCTION. SEE REF 1.

REFERENCES

1. 18026-200-832-1 TECHNICAL SPECIFICATION
2. 18026-200-061-1 SCANTLING CALCULATIONS
3. 18026-200-101-1 PROFILES AND DECK ARRANGEMENTS
4. 18026-200-120-1 MIDSHIP SECTION
5. 18026-200-130-2 MAIN DECK
6. 18026-200-150-1 SUPERSTRUCTURE MAIN DECK TO 01 DECK
7. 18026-200-150-3 MAIN DECK BULKHEADS
8. 18026-200-259-1 EXHAUST ARRANGEMENT
9. 18026-200-624-1 WINDOW SCHEDULE
10. 18026-200-624-3 DOOR SCHEDULE
11. 18026-200-624-3 HATCH SCHEDULE

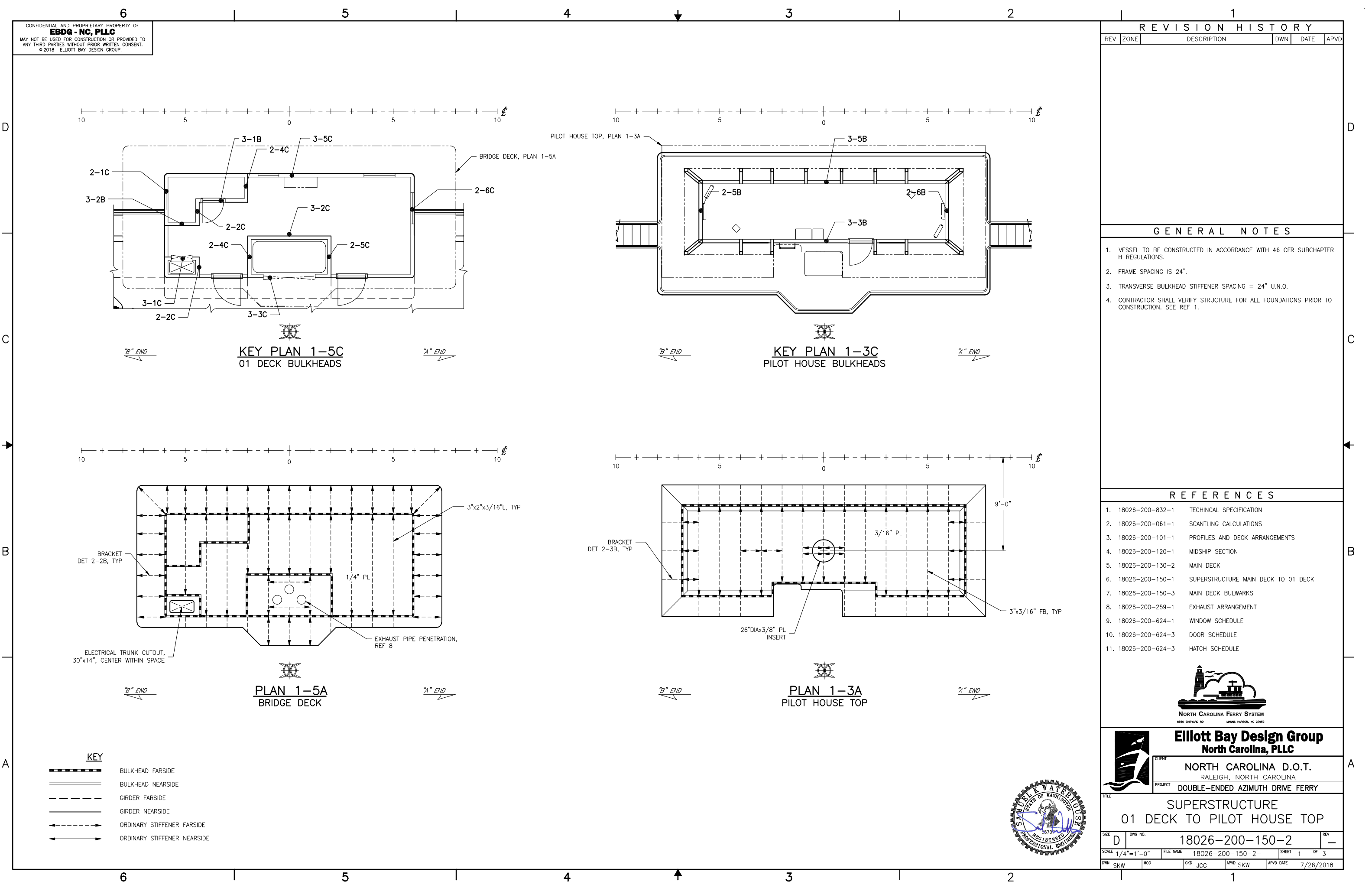


Elliott Bay Design Group
 North Carolina, PLLC

CLIENT: NORTH CAROLINA D.O.T.
 RALEIGH, NORTH CAROLINA
 PROJECT: DOUBLE-ENDED AZIMUTH DRIVE FERRY

TITLE: SUPERSTRUCTURE
 01 DECK TO PILOT HOUSE TOP

SIZE: D	DWG NO.: 18026-200-150-2	REV: -
SCALE: 1/4"=1'-0"	FILE NAME: 18026-200-150-2-	SHEET 1 OF 3
DWN: SKW	MOD:	CD: JCG
APVD: SKW	APVD DATE: 7/26/2018	

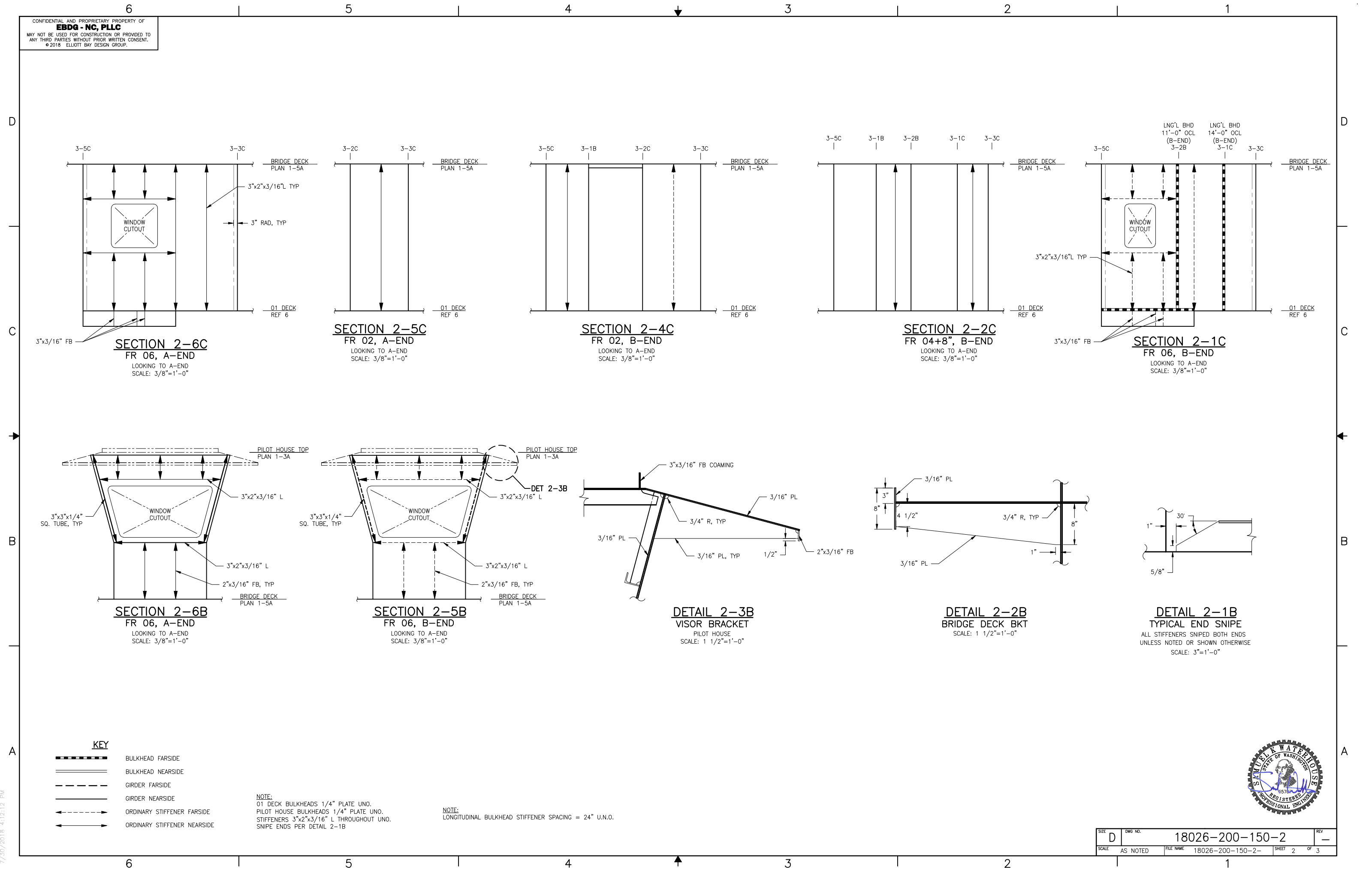


KEY

	BULKHEAD FAR SIDE
	BULKHEAD NEAR SIDE
	GIRDER FAR SIDE
	GIRDER NEAR SIDE
	ORDINARY STIFFENER FAR SIDE
	ORDINARY STIFFENER NEAR SIDE

7/30/2018 4:12:03 PM

CONFIDENTIAL AND PROPRIETARY PROPERTY OF
EBDG - NC, PLLC
 MAY NOT BE USED FOR CONSTRUCTION OR PROVIDED TO
 ANY THIRD PARTIES WITHOUT PRIOR WRITTEN CONSENT.
 © 2018 ELLIOTT BAY DESIGN GROUP.



7/30/2018 4:12:12 PM

KEY

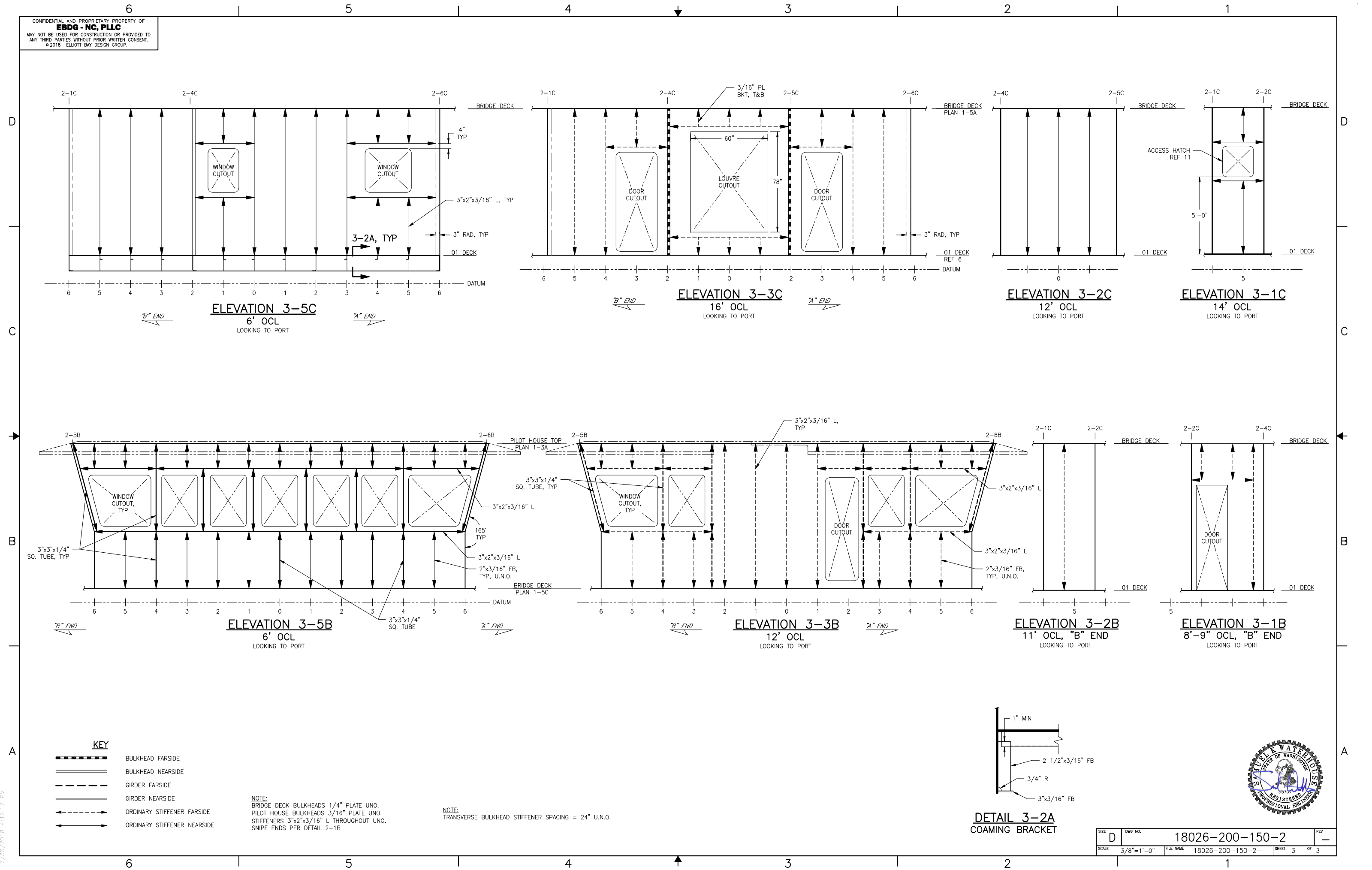
	BULKHEAD FAR SIDE
	BULKHEAD NEAR SIDE
	GIRDER FAR SIDE
	GIRDER NEAR SIDE
	ORDINARY STIFFENER FAR SIDE
	ORDINARY STIFFENER NEAR SIDE

NOTE:
 01 DECK BULKHEADS 1/4" PLATE UNO.
 PILOT HOUSE BULKHEADS 1/4" PLATE UNO.
 STIFFENERS 3"x2"x3/16" L THROUGHOUT UNO.
 SNIPE ENDS PER DETAIL 2-1B

NOTE:
 LONGITUDINAL BULKHEAD STIFFENER SPACING = 24" U.N.O.

SIZE	D	DWG. NO.	18026-200-150-2	REV	-
SCALE	AS NOTED	FILE NAME	18026-200-150-2-	SHEET	2 OF 3



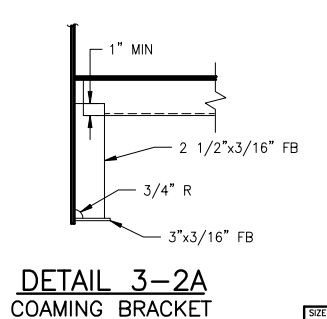


KEY

	BULKHEAD FAR SIDE
	BULKHEAD NEAR SIDE
	GIRDER FAR SIDE
	GIRDER NEAR SIDE
	ORDINARY STIFFENER FAR SIDE
	ORDINARY STIFFENER NEAR SIDE

NOTE:
 BRIDGE DECK BULKHEADS 1/4" PLATE UNO.
 PILOT HOUSE BULKHEADS 3/16" PLATE UNO.
 STIFFENERS 3"x2"x3/16" L THROUGHOUT UNO.
 SNIPE ENDS PER DETAIL 2-1B

NOTE:
 TRANSVERSE BULKHEAD STIFFENER SPACING = 24" U.N.O.



SIZE	D	DWG. NO.	18026-200-150-2	REV	-
SCALE	3/8"=1'-0"	FILE NAME	18026-200-150-2-	SHEET	3 OF 3

7/30/2018 4:12:17 PM