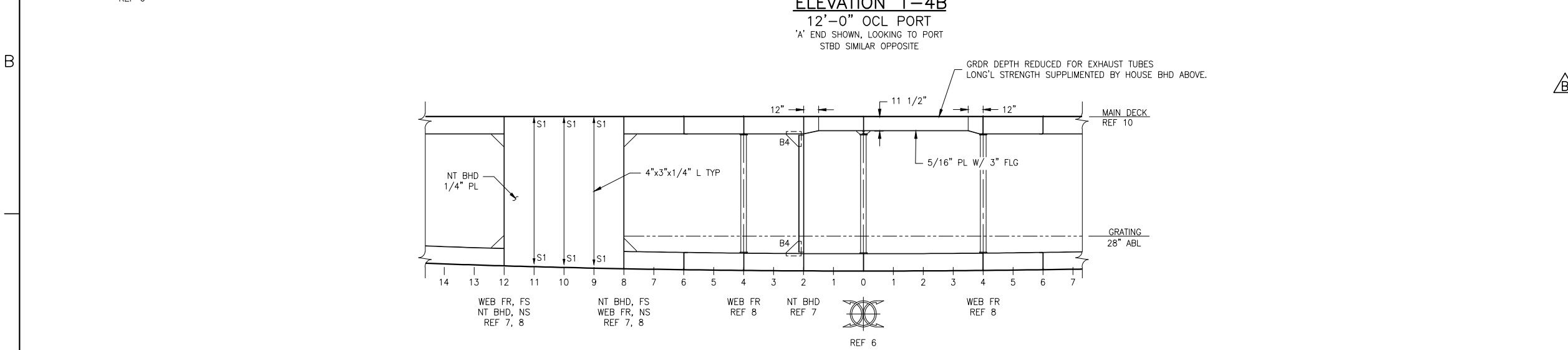
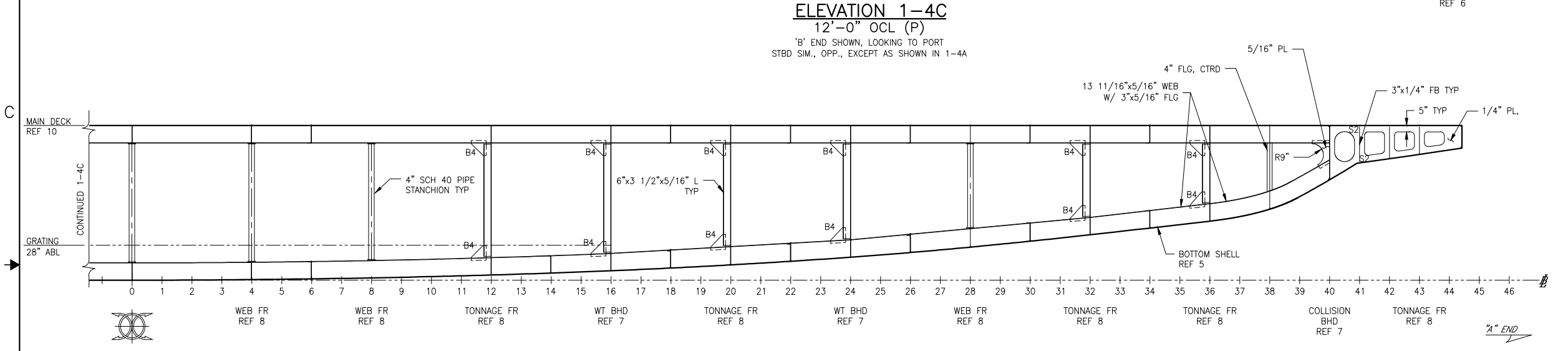
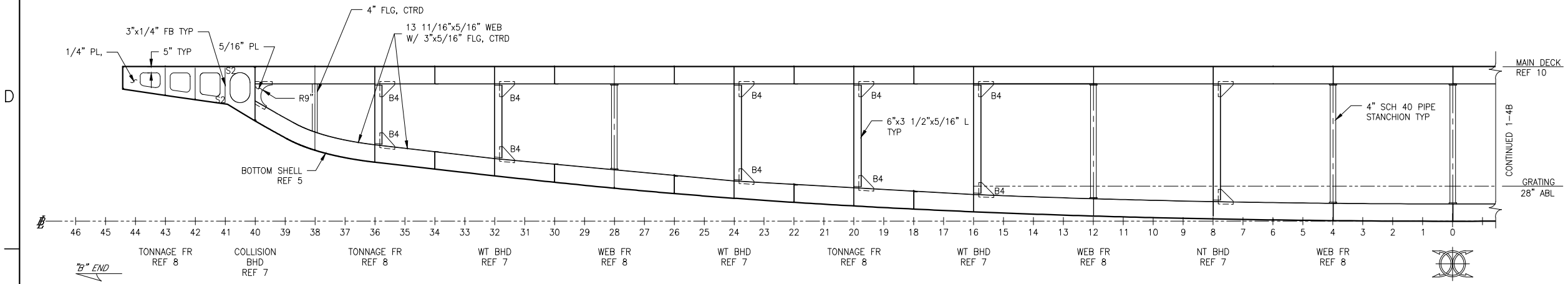


CONFIDENTIAL AND PROPRIETARY PROPERTY OF
EBDG - NC, PLLC
 MAY NOT BE USED FOR CONSTRUCTION OR PROVIDED TO
 ANY THIRD PARTIES WITHOUT PRIOR WRITTEN CONSENT.
 ©2018 ELLIOTT BAY DESIGN GROUP.

REVISION HISTORY					
REV	ZONE	DESCRIPTION	DWN	DATE	APVD
A	2-2A	1. CHANGED EOS GRATING LEVEL TO 28"	SKW	8/2/18	SKW
B	1-2B	1. CORRECTED REFERENCED DRAWING TITLE	SKW	8/6/18	SKW



KEY

	BULKHEAD FAR SIDE
	BULKHEAD NEAR SIDE
	GIRDER FAR SIDE
	GIRDER NEAR SIDE
	ORDINARY STIFFENER FAR SIDE
	ORDINARY STIFFENER NEAR SIDE
	KNUCKLE

MAIN DECK PL - CENTER:	1/2" TYP U.N.O.
MAIN DECK PL - OUTBD:	5/16" TYP U.N.O.
MAIN DECK STIFFENERS:	HP140x8 TYP U.N.O.
MAIN DECK GIRDERS & WEBS:	14"x3"x5/16" FL PL TYP U.N.O.
STANCHIONS - 5' OCL:	5" SCH 80 TYP U.N.O.
STANCHIONS - 12' OCL:	4" SCH 40 TYP U.N.O.

GENERAL NOTES

- VESSEL TO BE CONSTRUCTED IN ACCORDANCE WITH 46 CFR SUBCHAPTER H REGULATIONS.
- FRAME SPACING IS 24" UNLESS NOTED OTHERWISE.

REFERENCES

- 18026-200-832-1 TECHNICAL SPECIFICATION
- 18026-200-061-1 SCANTLING CALCULATIONS
- 18026-200-100-1 LINES PLAN
- 18026-200-101-1 PROFILES AND DECK ARRANGEMENTS
- 18026-200-110-1 BOTTOM AND SIDE SHELL
- 18026-200-120-1 MIDSHIP SECTION
- 18026-200-120-3 HULL TRANSVERSE BULKHEADS
- 18026-200-120-4 HULL TRANSVERSE FRAMES
- 18026-200-120-5 HULL LONGITUDINAL BULKHEADS AND GIRDERS
- 18026-200-130-2 MAIN DECK
- 18026-200-180-1 MAIN MACHINERY FOUNDATIONS
- 18026-200-624-1 WINDOW SCHEDULE
- 18026-200-624-2 DOOR SCHEDULE



Elliott Bay Design Group
 North Carolina, PLLC

CLIENT: NORTH CAROLINA D.O.T.
 RALEIGH, NORTH CAROLINA

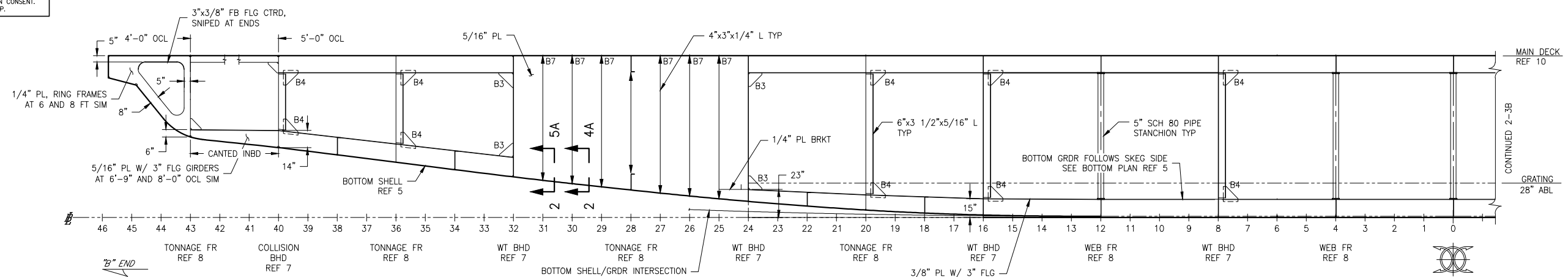
PROJECT: DOUBLE-ENDED AZIMUTH DRIVE FERRY



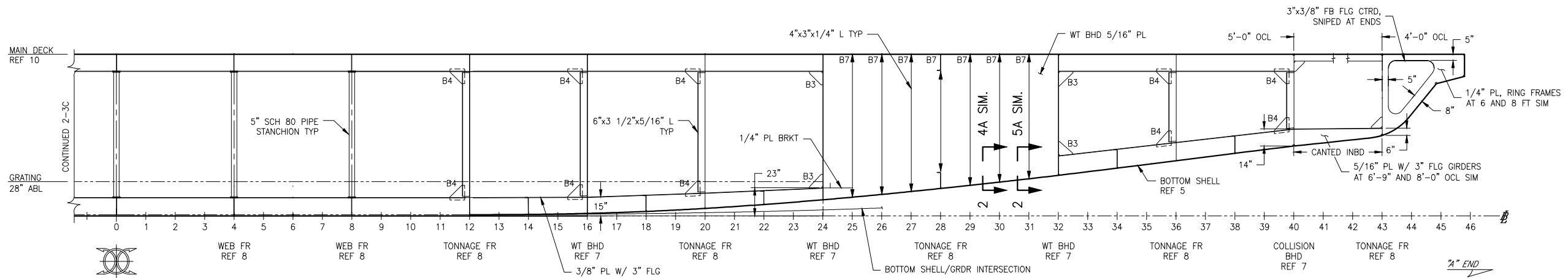
TITLE: HULL LONGITUDINAL BULKHEADS AND GIRDERS	
SIZE: D	DWG NO.: 18026-200-120-5
SCALE: 1/4" = 1'-0"	FILE NAME: 18026-200-120-5B
DWN: JCG	MOD: SKW
CND: SKW	APVD: SKW
APVD DATE: 7/26/2018	

8/6/2018 11:07:32 AM

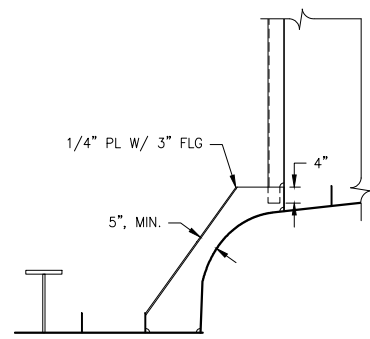
CONFIDENTIAL AND PROPRIETARY PROPERTY OF
EBDG - NC, PLLC
 MAY NOT BE USED FOR CONSTRUCTION OR PROVIDED TO
 ANY THIRD PARTIES WITHOUT PRIOR WRITTEN CONSENT.
 ©2018 ELLIOTT BAY DESIGN GROUP.



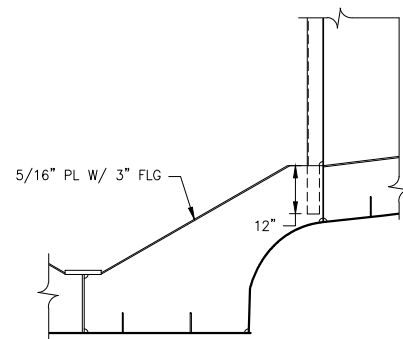
ELEVATION 2-3C
 5'-0" (U.N.O.) OCL PORT
 'B' END SHOWN LOOKING TO PORT
 STBD SIMILAR OPPOSITE



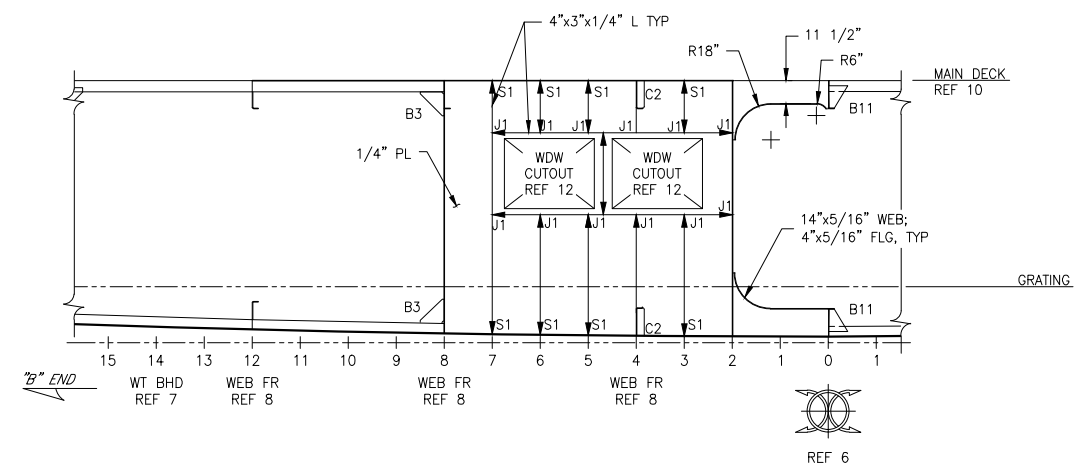
ELEVATION 2-3B
 5'-0" (U.N.O.) OCL PORT
 'A' END SHOWN LOOKING TO PORT
 STBD SIMILAR OPPOSITE



DETAIL 2-5A
 FR 31 SHOWN - 29, 27 & 25 SIM
 LOOKING TO 'B' END
 SCALE: 1/2" = 1'-0"



DETAIL 2-4A
 FR 30 SHOWN - 26, 28 SIM
 LOOKING TO 'B' END
 SCALE: 1/2" = 1'-0"

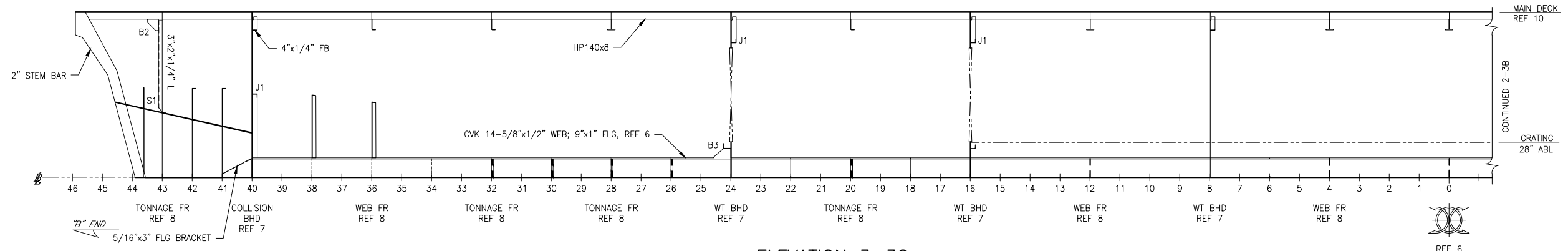


ELEVATION 2-2A
 EOS NT BHD 8'-0" OCL STBD
 'B' END SHOWN, LOOKING TO PORT

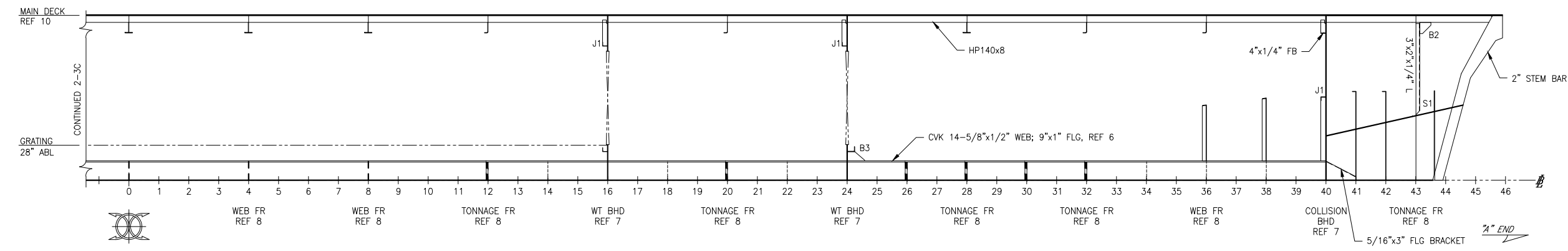


SIZE	DWG NO.	REV
D	18026-200-120-5	B
SCALE	FILE NAME	SHEET
1/4" = 1'-0"	18026-200-120-5B	2 OF 4

CONFIDENTIAL AND PROPRIETARY PROPERTY OF
EBDG - NC, PLLC
 MAY NOT BE USED FOR CONSTRUCTION OR PROVIDED TO
 ANY THIRD PARTIES WITHOUT PRIOR WRITTEN CONSENT.
 ©2018 ELLIOTT BAY DESIGN GROUP.



ELEVATION 3-3C
 CENTERLINE
 'B' END SHOWN LOOKING TO PORT



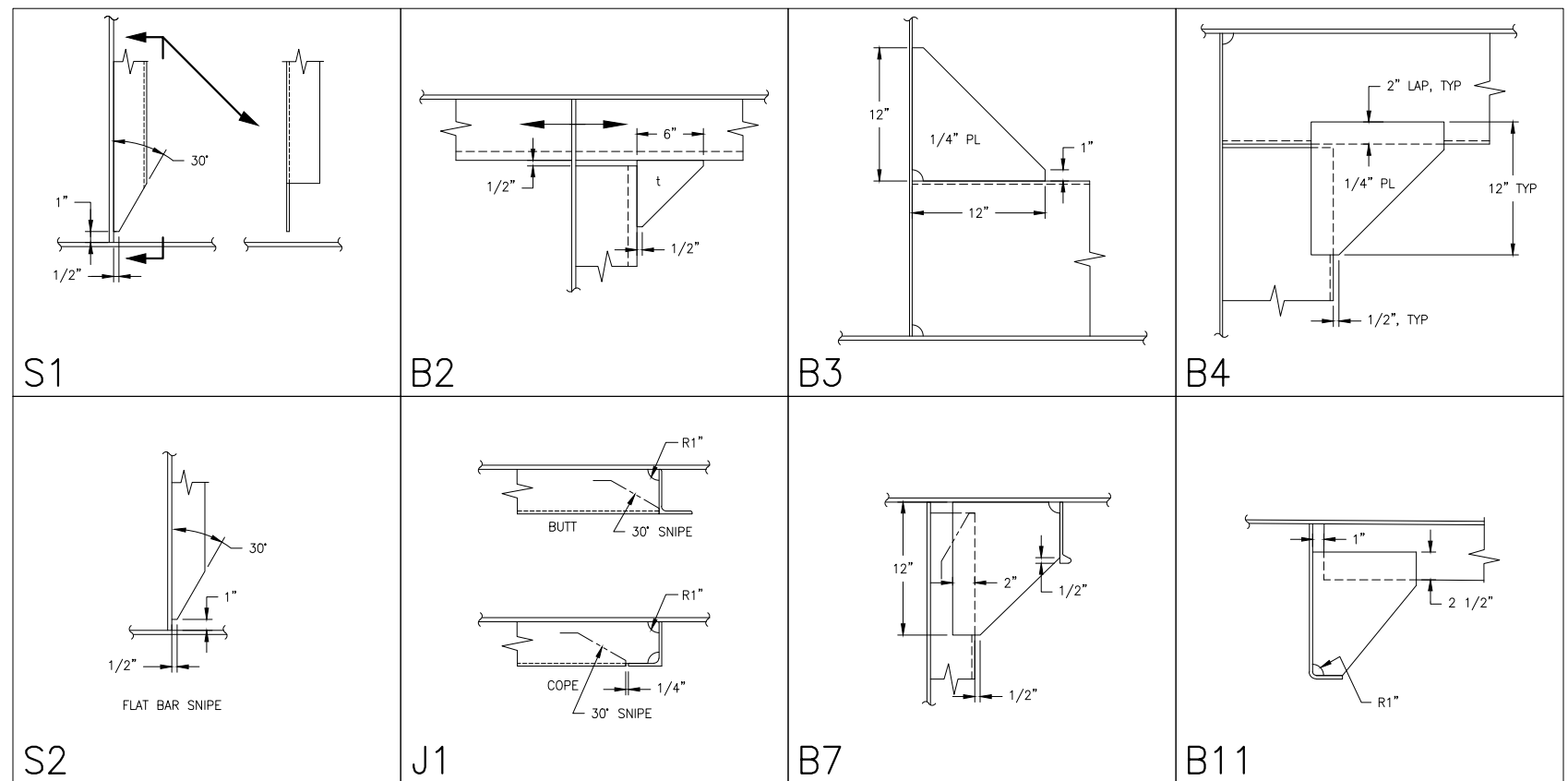
ELEVATION 3-3B
 CENTERLINE
 'A' END SHOWN LOOKING TO PORT



SIZE	DWG NO.	REV
D	18026-200-120-5	B
SCALE	FILE NAME	SHEET
1/4" = 1'-0"	18026-200-120-5B	3 OF 4

8/6/2018 11:07:42 AM

CONFIDENTIAL AND PROPRIETARY PROPERTY OF
EBDG - NC, PLLC
 MAY NOT BE USED FOR CONSTRUCTION OR PROVIDED TO
 ANY THIRD PARTIES WITHOUT PRIOR WRITTEN CONSENT.
 ©2018 ELLIOTT BAY DESIGN GROUP.



SIZE	D	DWG NO.	18026-200-120-5	REV	B
SCALE	1 1/2" = 1'-0"	FILE NAME	18026-200-120-5B	SHEET	4 OF 4

8/6/2018 11:07:47 AM