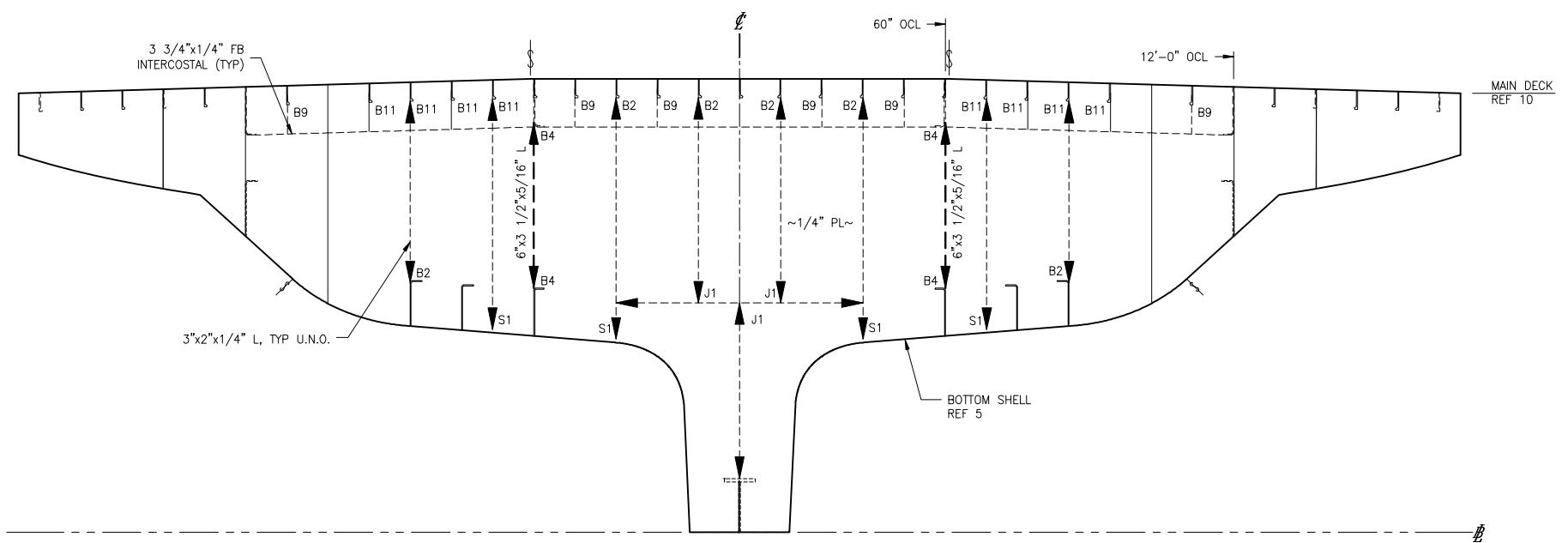


CONFIDENTIAL AND PROPRIETARY PROPERTY OF
EBDG - NC, PLLC
 MAY NOT BE USED FOR CONSTRUCTION OR PROVIDED TO
 ANY THIRD PARTIES WITHOUT PRIOR WRITTEN CONSENT.
 © 2018 ELLIOTT BAY DESIGN GROUP.

REVISION HISTORY				
REV	ZONE	DESCRIPTION	DWN	DATE



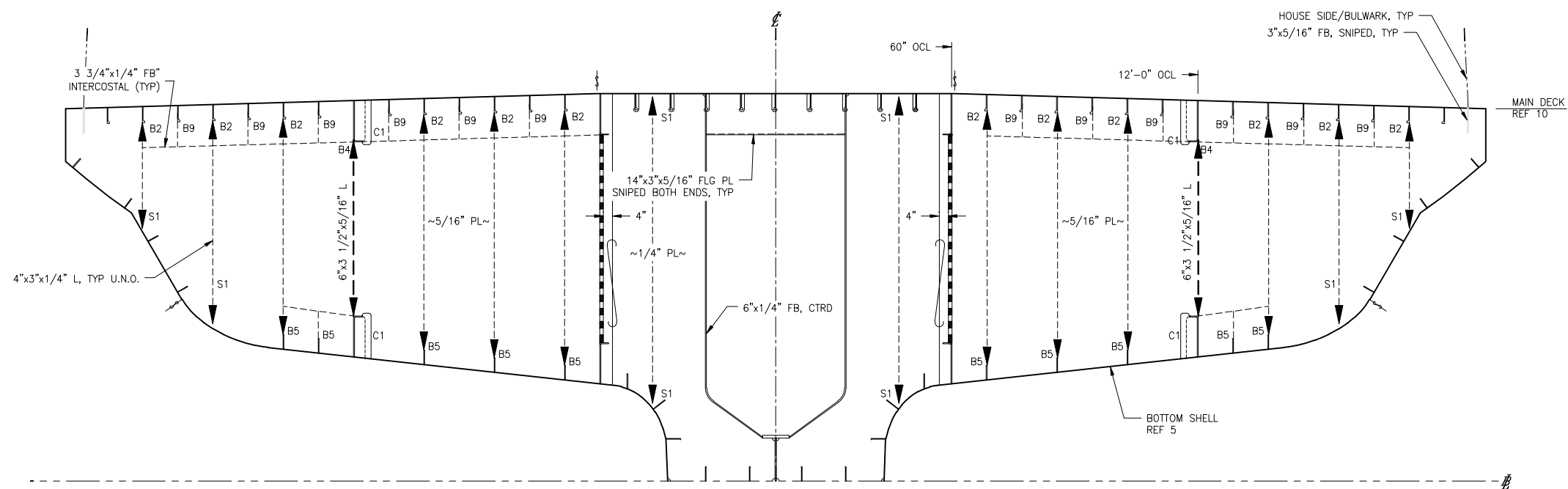
SECTION 1-4C
 WT BHD, FRAME 40, 'B' END
 LOOKING FWD
 'A' END SIM/OPP U.N.O.

GENERAL NOTES

1. VESSEL TO BE CONSTRUCTED IN ACCORDANCE WITH 46 CFR SUBCHAPTER H REGULATIONS.
2. FRAME SPACING IS 24" UNLESS NOTED OTHERWISE.

REFERENCES

1. 18026-200-832-1 TECHNICAL SPECIFICATION
2. 18026-200-061-1 SCANTLING CALCULATIONS
3. 18026-200-100-1 LINES PLAN
4. 18026-100-101-1 PROFILES AND DECK ARRANGEMENTS
5. 18026-200-110-1 BOTTOM AND SIDE SHELL
6. 18026-120-120-1 MIDSHIP SECTION
7. 18026-200-120-3 HULL TRANSVERSE BULKHEADS
8. 18026-200-120-4 HULL TRANSVERSE FRAMES
9. 18026-200-120-5 HULL LONGITUDINAL BULKHEADS AND GIRDERS
10. 18026-200-130-2 MAIN DECK
11. 18026-200-180-1 PROPULSION UNIT FOUNDATION



SECTION 1-4A
 WT BHD, FRAME 32, 'B' END
 LOOKING FWD
 'A' END SIM/OPP U.N.O.

KEY

	BULKHEAD FAR SIDE
	BULKHEAD NEAR SIDE
	GIRDER FAR SIDE
	GIRDER NEAR SIDE
	ORDINARY STIFFENER FAR SIDE
	ORDINARY STIFFENER NEAR SIDE
	KNUCKLE



Elliott Bay Design Group
 North Carolina, PLLC

CLIENT: NORTH CAROLINA D.O.T.
 RALEIGH, NORTH CAROLINA

PROJECT: DOUBLE-ENDED AZIMUTH DRIVE FERRY

HULL TRANSVERSE BULKHEADS

SIZE	D	DWG NO.	18026-200-120-3	REV	-
SCALE	1/2" = 1'-0"	FILE NAME	18026-200-120-3-	SHEET	1 OF 5
DWN	JCC	MOD		APVD	SKW
				APVD DATE	7/26/2018

7/30/2018 4:02:54 PM

CONFIDENTIAL AND PROPRIETARY PROPERTY OF
EBDG - NC, PLLC
 MAY NOT BE USED FOR CONSTRUCTION OR PROVIDED TO
 ANY THIRD PARTIES WITHOUT PRIOR WRITTEN CONSENT.
 ©2018 ELLIOTT BAY DESIGN GROUP.

6 5 4 3 2 1

D

C

B

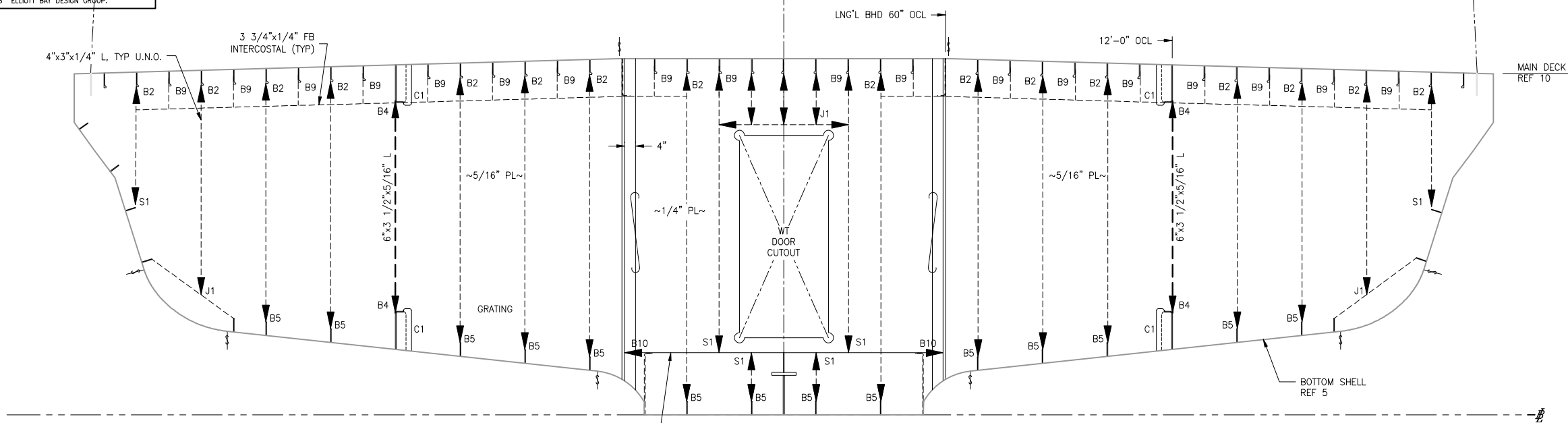
A

D

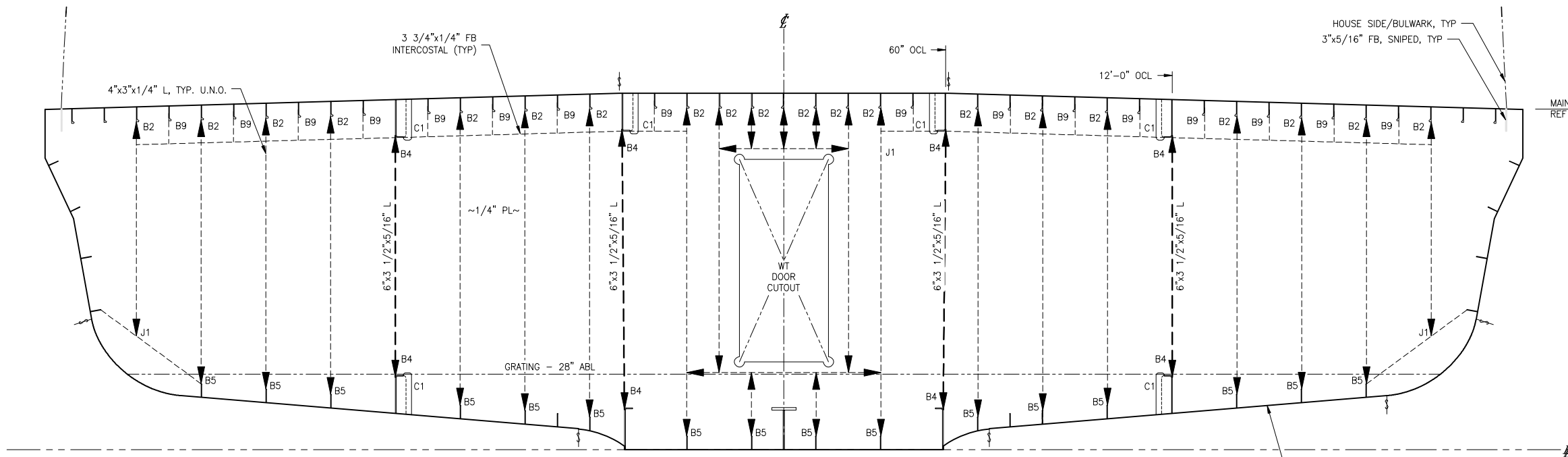
C

B

A



SECTION 2-4C
 WT BHD, FRAME 24, 'B' END
 LOOKING FWD
 'A' END SIM/OPP U.N.O.



SECTION 2-4A
 WT BHD, FRAME 16, 'B' END
 LOOKING FWD
 'A' END SIM/OPP U.N.O.

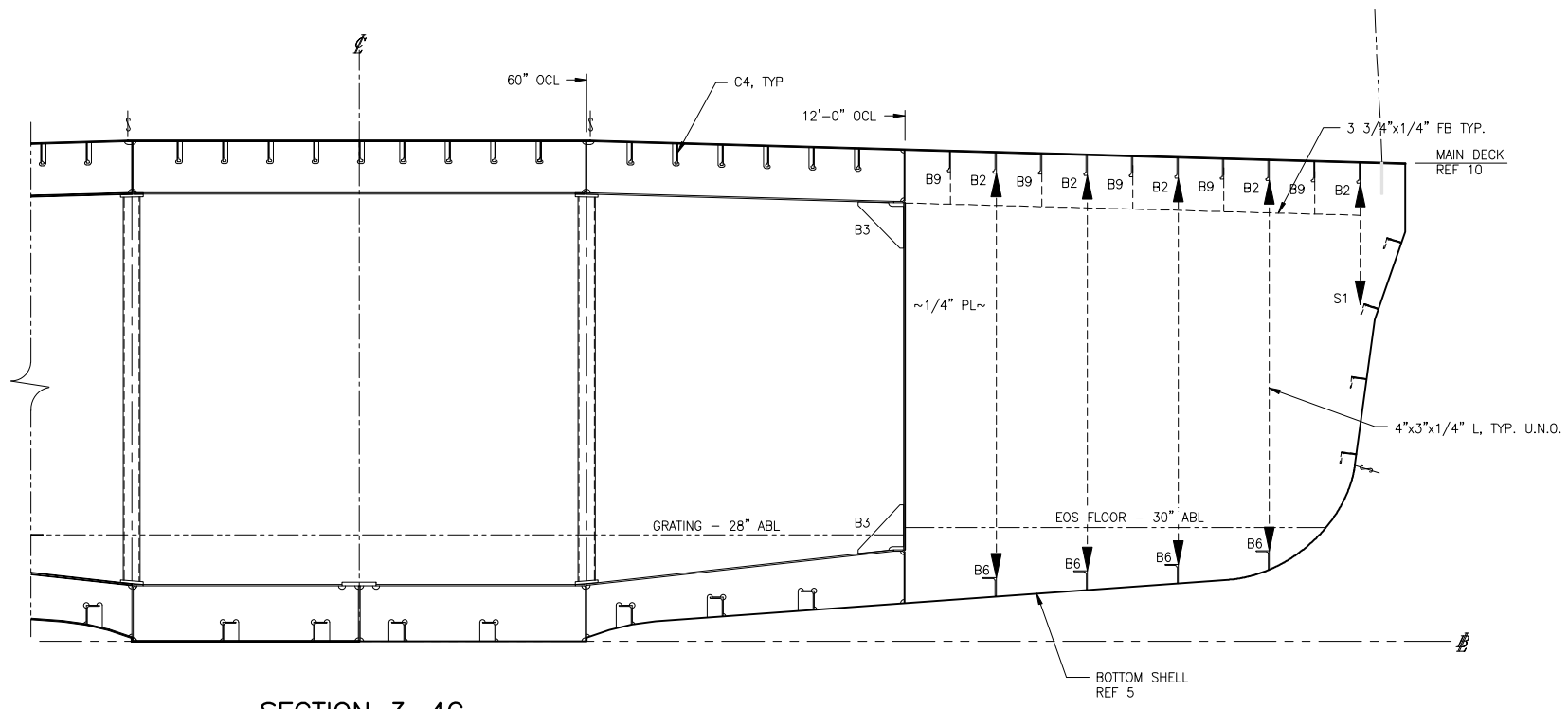


SIZE	DWG NO.	REV
D	18026-200-120-3	-
SCALE	FILE NAME	SHEET
1/2" = 1'-0"	18026-200-120-3-	2 OF 5

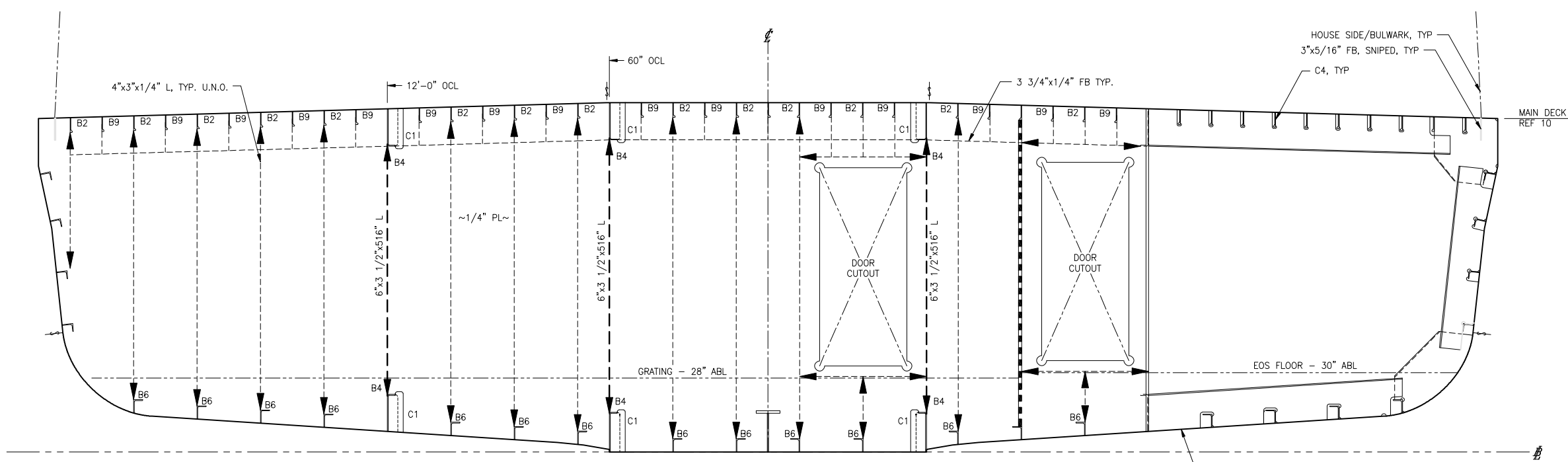
6 5 4 3 2 1

7/30/2018 4:02:56 PM

CONFIDENTIAL AND PROPRIETARY PROPERTY OF
EBDG - NC, PLLC
 MAY NOT BE USED FOR CONSTRUCTION OR PROVIDED TO
 ANY THIRD PARTIES WITHOUT PRIOR WRITTEN CONSENT.
 ©2018 ELLIOTT BAY DESIGN GROUP.



SECTION 3-4C
 NT BHD, FRAME 12, 'B' END
 LOOKING FWD



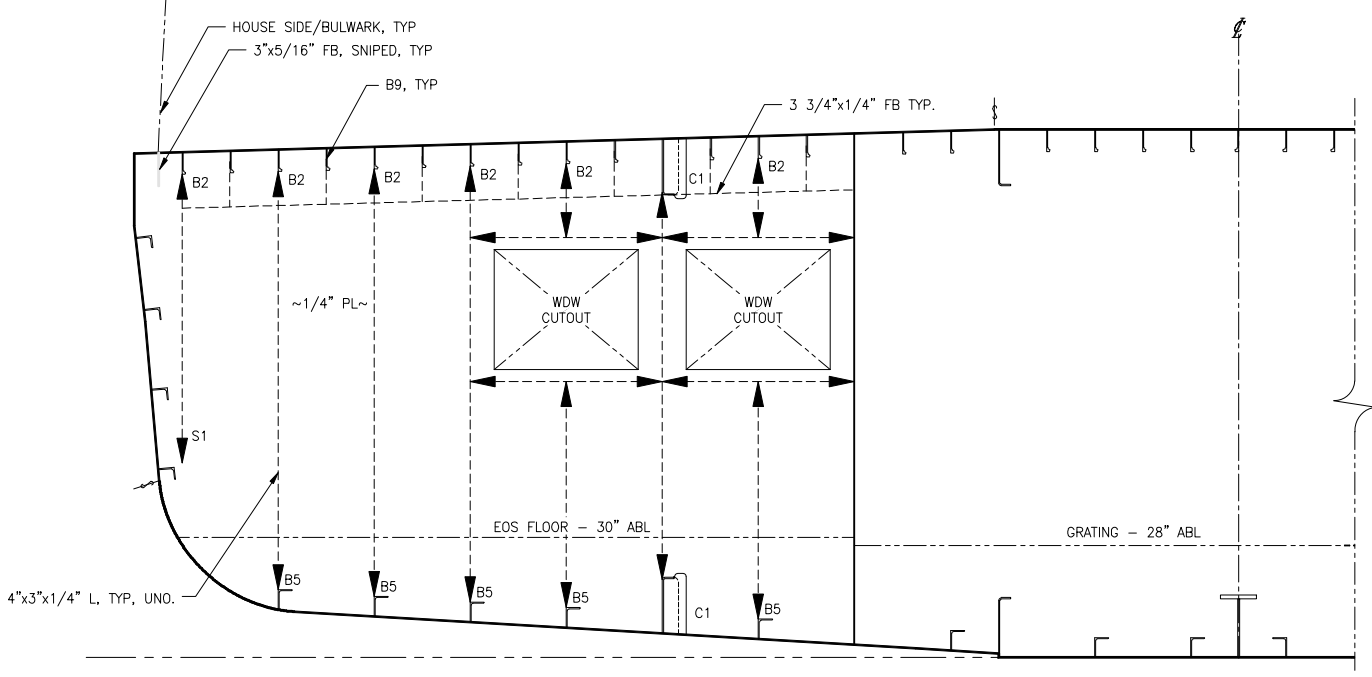
SECTION 3-4A
 NT BHD, FRAME 8, 'B' END
 LOOKING FWD



SIZE	D	DWG NO.	18026-200-120-3	REV	-
SCALE	1/2" = 1'-0"	FILE NAME	18026-200-120-3-	SHEET	3 OF 5

7/30/2018 4:03:03 PM

CONFIDENTIAL AND PROPRIETARY PROPERTY OF
EBDG - NC, PLLC
 MAY NOT BE USED FOR CONSTRUCTION OR PROVIDED TO
 ANY THIRD PARTIES WITHOUT PRIOR WRITTEN CONSENT.
 ©2018 ELLIOTT BAY DESIGN GROUP.



SECTION 4-4B
 NT BHD, FRAME 2, 'B' END
 LOOKING AFT



SIZE	D	DWG NO.	18026-200-120-3	REV	-
SCALE	1/2" = 1'-0"	FILE NAME	18026-200-120-3-	SHEET	4 OF 5

7/30/2018 4:03:08 PM

6

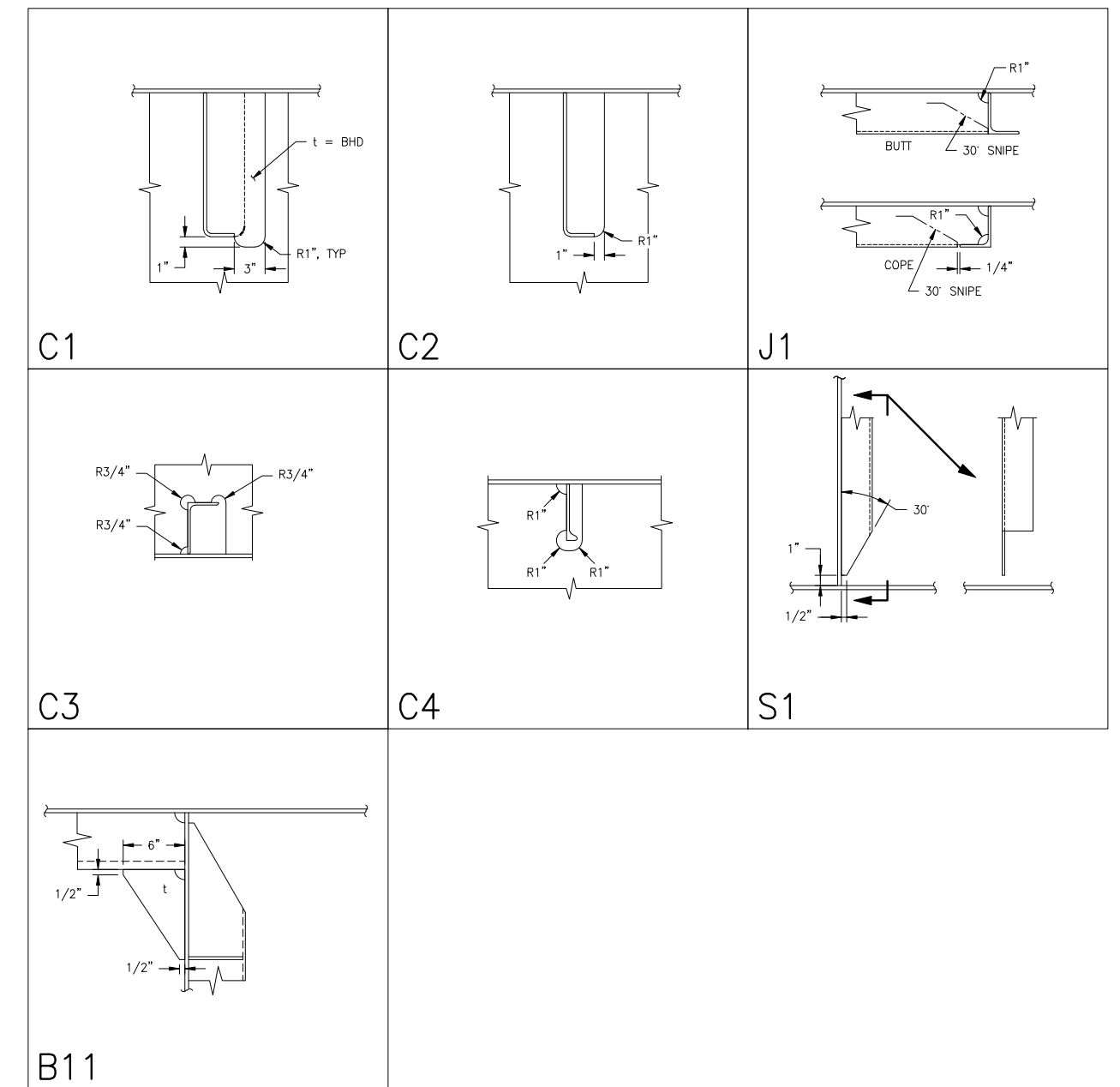
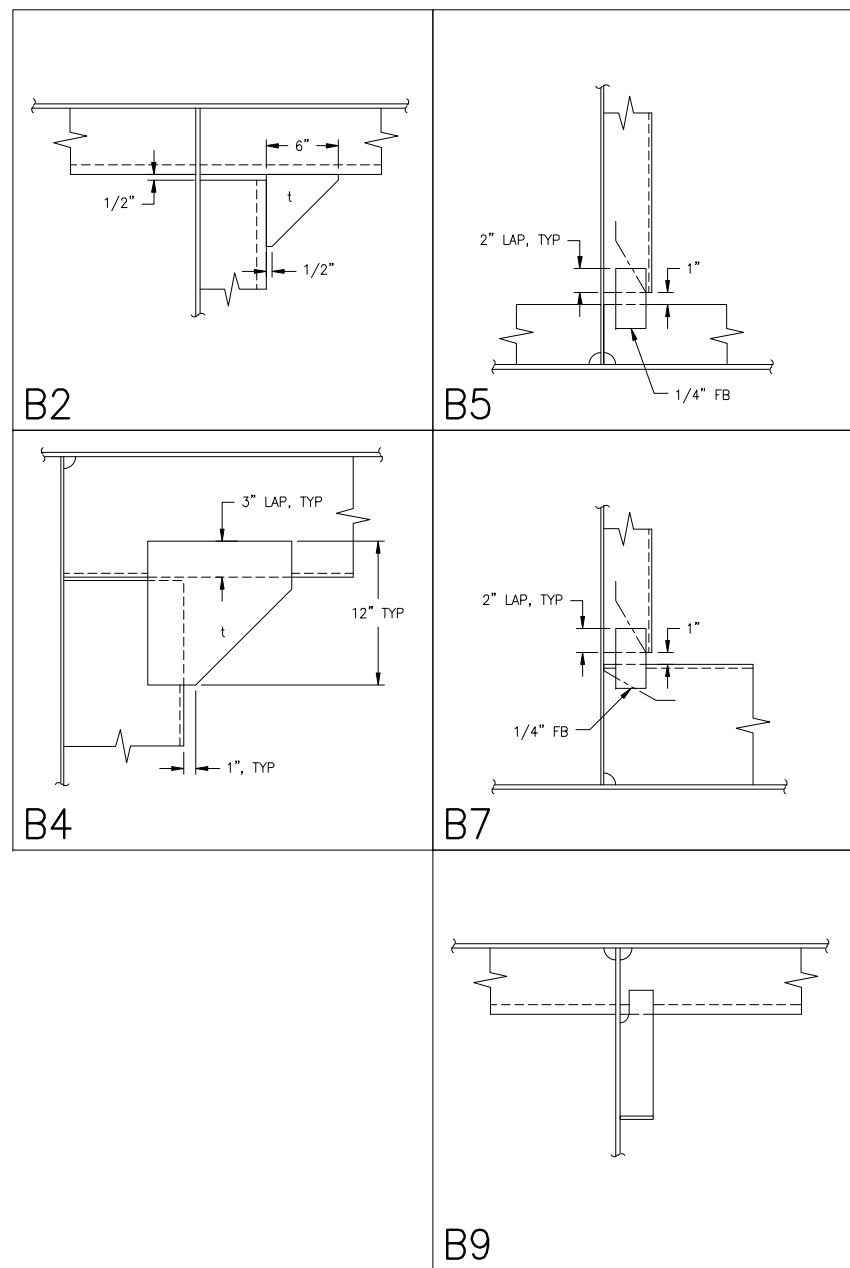
5

4

3

2

1



7/30/2018 4:03:13 PM