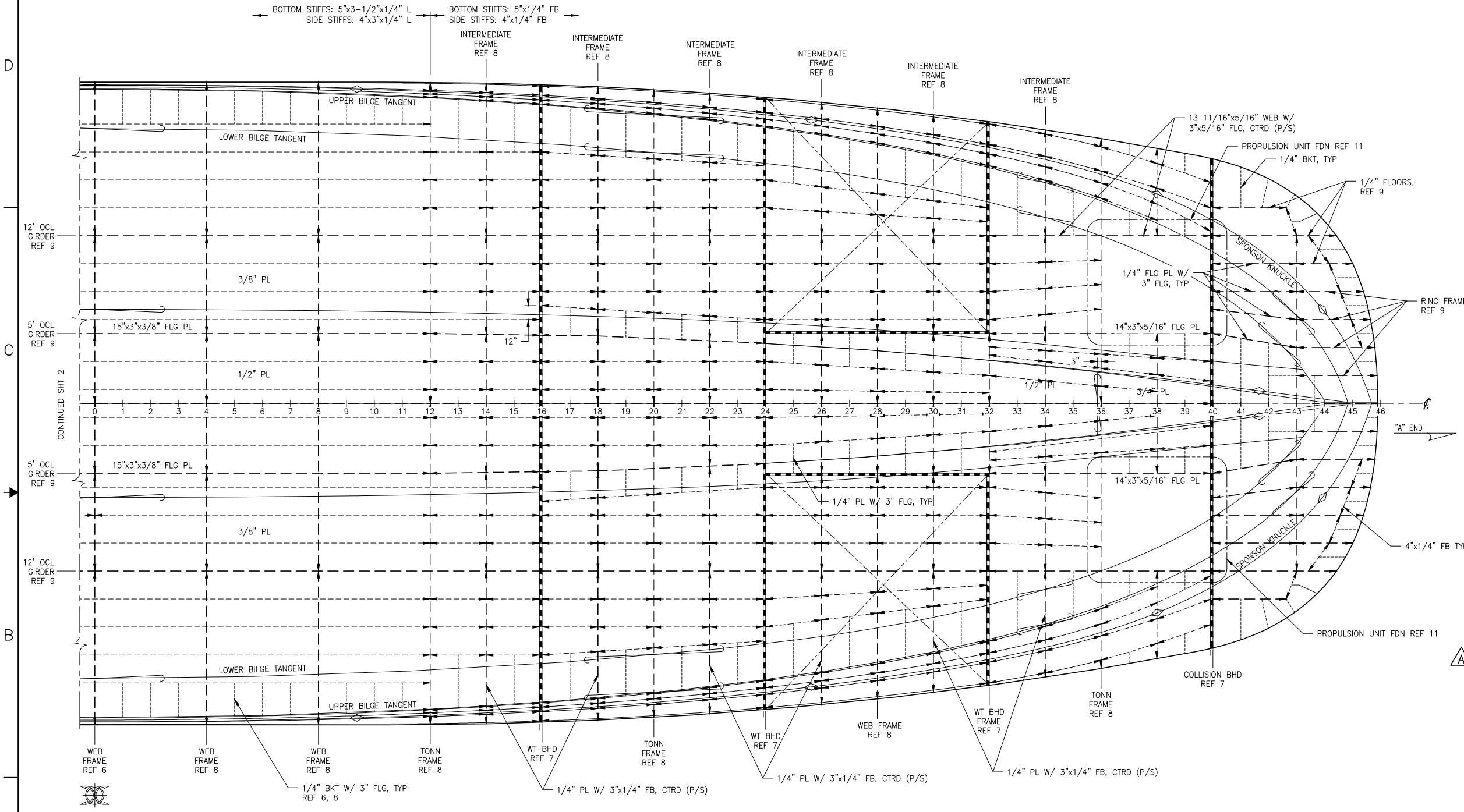


CONFIDENTIAL AND PROPRIETARY PROPERTY OF
EBDG - NC, PLLC
 MAY NOT BE USED FOR CONSTRUCTION OR PROVIDED TO
 ANY THIRD PARTIES WITHOUT PRIOR WRITTEN CONSENT.
 ©2018 ELLIOTT BAY DESIGN GROUP.

REVISION HISTORY					
REV	ZONE	DESCRIPTION	DWN	DATE	APVD
A	1-2B	1. CORRECTED REFERENCED DRAWING TITLE	SKW	8/6/18	SKW



GENERAL NOTES

1. VESSEL TO BE CONSTRUCTED IN ACCORDANCE WITH 46 CFR SUBCHAPTER H REGULATIONS.
2. FRAME SPACING IS 24" UNLESS NOTED OTHERWISE.
3. LONGITUDINAL STIFFENERS SHALL BE WELDED TIGHT AT EACH TRANSVERSE FRAME FROM 12A TO END "A" AND 16B TO END "B".

REFERENCES

1. 18026-200-832-1 TECHNICAL SPECIFICATION
2. 18026-200-061-1 SCANTLING CALCULATIONS
3. 18026-200-100-1 LINES PLAN
4. 18026-200-101-1 PROFILES AND DECK ARRANGEMENTS
5. 18026-200-110-1 BOTTOM AND SIDE SHELL
6. 18026-200-120-1 MIDSHIP SECTION
7. 18026-200-120-3 HULL TRANSVERSE BULKHEADS
8. 18026-200-120-4 HULL TRANSVERSE FRAMES
9. 18026-200-120-5 HULL LONGITUDINAL BULKHEADS AND GIRDERS
10. 18026-200-130-2 MAIN DECK
11. 18026-200-180-1 MAIN MACHINERY FOUNDATIONS

PLAN 1-4A
 BOTTOM SHELL - 'A' END
 REFLECTED PLAN

LEGEND

	BULKHEAD
	LONG GIRDER/ WEB FRAME
	ORDINARY STIFFENER
	BRACKET
	PLATE SEAM
	KNUCKLE
	TONNAGE FRAME
	STANCHION UNDER DECK

KEEL PL:
 BOTTOM SHELL PL:
 SIDE SHELL PL:
 BOTTOM STIFFENERS (FR 16B-12A):
 BOTTOM STIFFENERS (ELSEWHERE):
 SIDE SHELL STIFFENERS (FR 16B-12A):
 SIDE SHELL STIFFENERS (ELSEWHERE):
 C.V.K.:
 BOTTOM GIRDERS:
 BOTTOM WEBS:
 BOTTOM INTERMEDIATE FRAMES:
 SIDE WEBS:

3/4" AT ENDS, 1/2" ELSEWHERE
 3/8" TYP U.N.O.
 5/16" TYP U.N.O.
 5"x3-1/2"x1/4"L TYP U.N.O.
 5"x1/4" FB TYP U.N.O.
 4"x3"x1/4"L TYP U.N.O.
 4"x1/4" FB TYP U.N.O.
 14 5/8" WEB W/ 9"x1" FLG
 14"x3"x5/16" FLG PL TYP U.N.O.
 14"x3"x5/16" FLG PL TYP U.N.O.
 14"x3"x1/4" FLG PL TYP U.N.O.
 12"x3"x1/4" FLG PL TYP U.N.O.



Elliott Bay Design Group
 North Carolina, PLLC

CLIENT: NORTH CAROLINA D.O.T.
 RALEIGH, NORTH CAROLINA

PROJECT: DOUBLE-ENDED AZIMUTH DRIVE FERRY



BOTTOM AND SIDE SHELL

SIZE	D	DWG NO.	18026-200-110-1	REV	A
SCALE	1/4" = 1'-0"	FILE NAME	18026-200-110-1A	SHEET	1 OF 3
DWN	JCG	MOD	SKW	APVD	SKW
				APVD DATE	7/26/2018

8/6/2018 11:41:04 AM

6

5

4

3

2

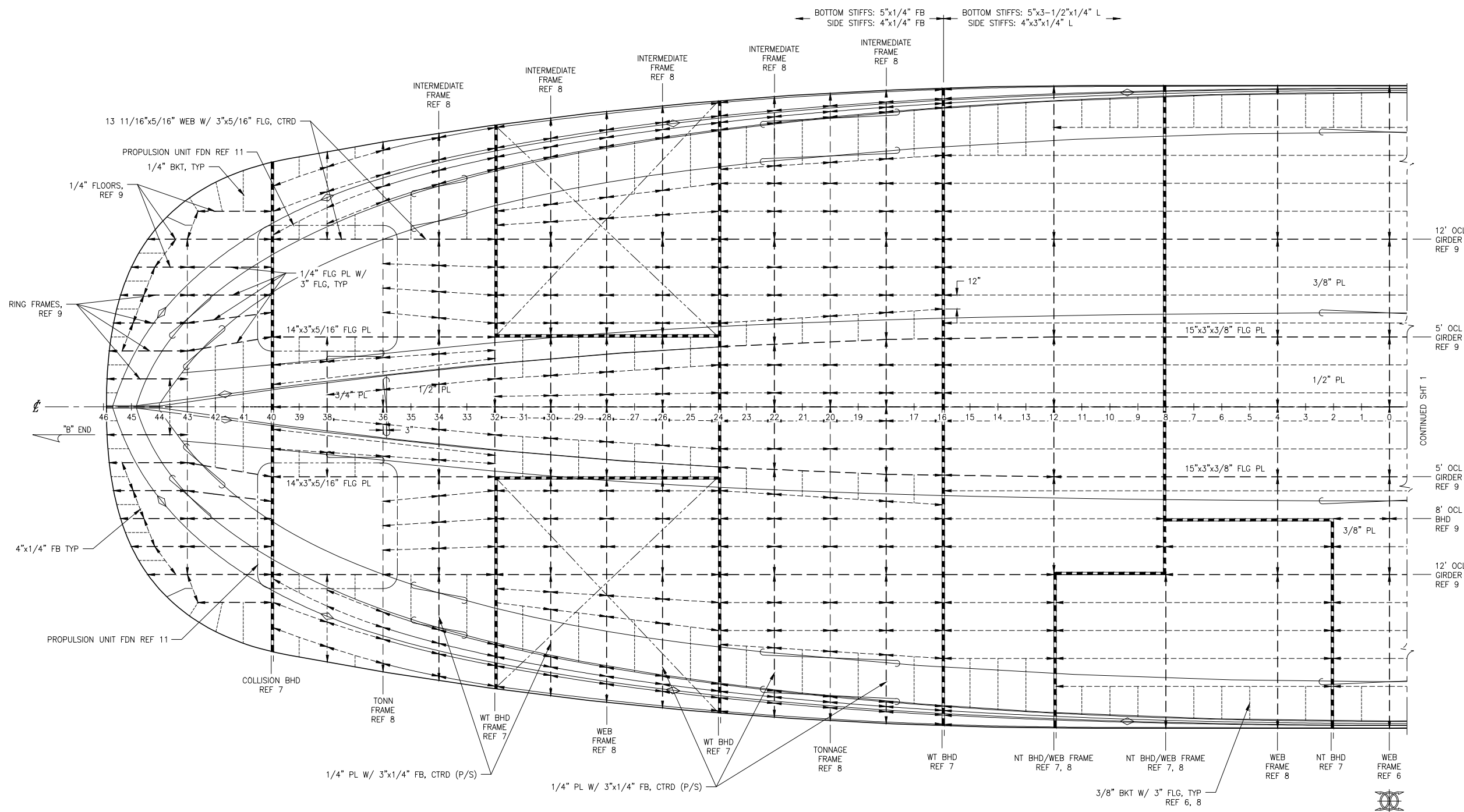
1

D

C

B

A



PLAN 2-4A
 BOTTOM SHELL - 'B' END
 REFLECTED PLAN

LEGEND

- BULKHEAD
- LONG GIRDER/ WEB FRAME
- ORDINARY STIFFENER
- BRACKET
- PLATE SEAM
- KNUCKLE
- TONNAGE FRAME
- STANCHION UNDER DECK

- KEEL PL: 3/4" AT ENDS, 1/2" ELSEWHERE
- BOTTOM SHELL PL: 3/8" TYP U.N.O.
- SIDE SHELL PL: 5/16" TYP U.N.O.
- BOTTOM STIFFENERS (FR 16B-12A): 5"x3-1/2"x1/4"L TYP U.N.O.
- BOTTOM STIFFENERS (ELSEWHERE): 5"x1/4" FB TYP U.N.O.
- SIDE SHELL STIFFENERS (FR 16B-12A): 4"x3"x1/4"L TYP U.N.O.
- SIDE SHELL STIFFENERS (ELSEWHERE): 4"x1/4" FB TYP U.N.O.
- C.V.K.: 14 5/8" WEB W/ 9"x1" FLG
- BOTTOM GIRDERS: 14"x3"x5/16" FLG PL TYP U.N.O.
- BOTTOM WEBS: 14"x3"x5/16" FLG PL TYP U.N.O.
- BOTTOM INTERMEDIATE FRAMES: 14"x3"x1/4" FLG PL TYPE U.N.O.
- SIDE WEBS: 12"x3"x1/4" FLG PL TYP U.N.O.



SIZE	D	DWG NO.	18026-200-110-1	REV	A
SCALE	1/4" = 1'-0"	FILE NAME	18026-200-110-1A	SHEET	2 OF 3

6

5

4

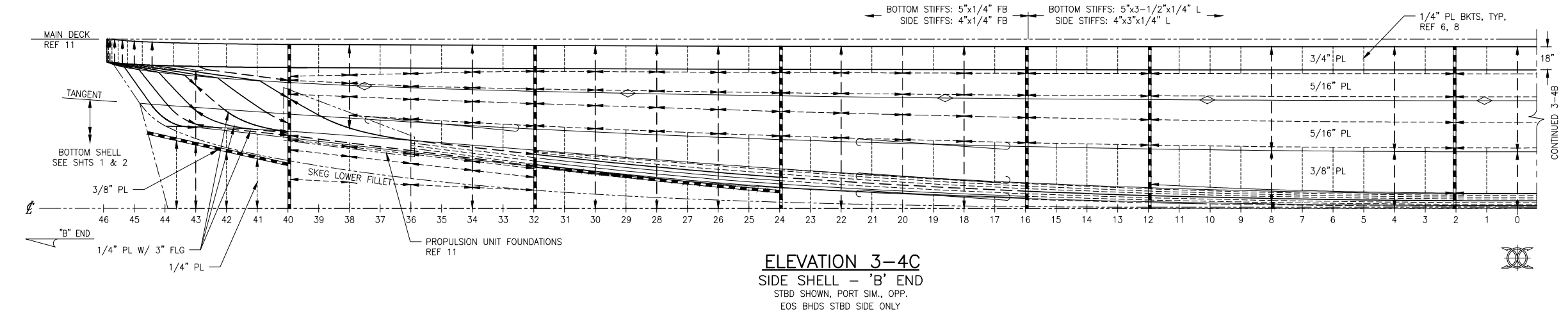
3

2

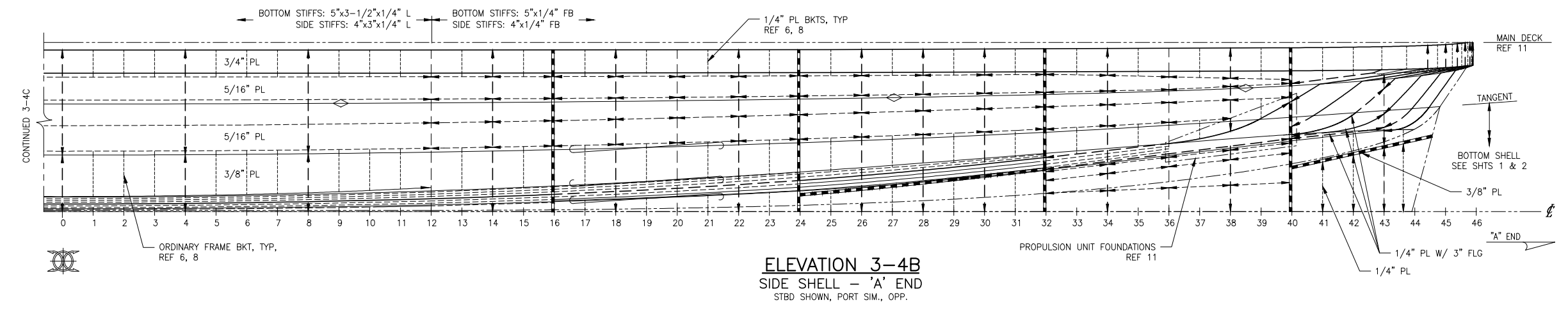
1

8/6/2018 11:41:08 AM

6 5 4 3 2 1



ELEVATION 3-4C
 SIDE SHELL - 'B' END
 STBD SHOWN, PORT SIM., OPP.
 EOS BHDS STBD SIDE ONLY



ELEVATION 3-4B
 SIDE SHELL - 'A' END
 STBD SHOWN, PORT SIM., OPP.

LEGEND

	BULKHEAD
	LONG GIRDER/ WEB FRAME
	ORDINARY STIFFENER
	BRACKET
	PLATE SEAM
	KNUCKLE
	TONNAGE FRAME
	STANCHION UNDER DECK

KEEL PL:	3/4" AT ENDS, 1/2" ELSEWHERE
BOTTOM SHELL PL:	3/8" TYP U.N.O.
SIDE SHELL PL:	5/16" TYP U.N.O.
BOTTOM STIFFENERS (FR 16B-12A):	5"x3-1/2"x1/4"L TYP U.N.O.
BOTTOM STIFFENERS (ELSEWHERE):	5"x1/4" FB TYP U.N.O.
SIDE SHELL STIFFENERS (FR 16B-12A):	4"x3"x1/4"L TYP U.N.O.
SIDE SHELL STIFFENERS (ELSEWHERE):	4"x1/4" FB TYP U.N.O.
C.V.K.:	14 5/8" WEB W/ 9"x1" FLG
BOTTOM GIRDERS:	14"x3"x5/16" FLG PL TYP U.N.O.
BOTTOM WEBS:	14"x3"x5/16" FLG PL TYP U.N.O.
BOTTOM INTERMEDIATE FRAMES:	14"x3"x1/4" FLG PL TYPE U.N.O.
SIDE WEBS:	12"x3"x1/4" FLG PL TYP U.N.O.



6 5 4 3 2 1

8/6/2018 11:41:13 AM