

NOTES

CONCRETE DESIGN DATA :  $f'_c = 5,000$  PSI

PROPOSED DEVICES FOR LIFTING PILES, RECESS DETAILS, AND PATCHING MATERIAL SHALL BE DETAILED IN SHOP DRAWINGS. AFTER ATTACHMENTS HAVE BEEN REMOVED, OPENINGS SHALL BE REPAIRED SUCH THAT THE APPEARANCE OF THE PILE IS UNIFORM.

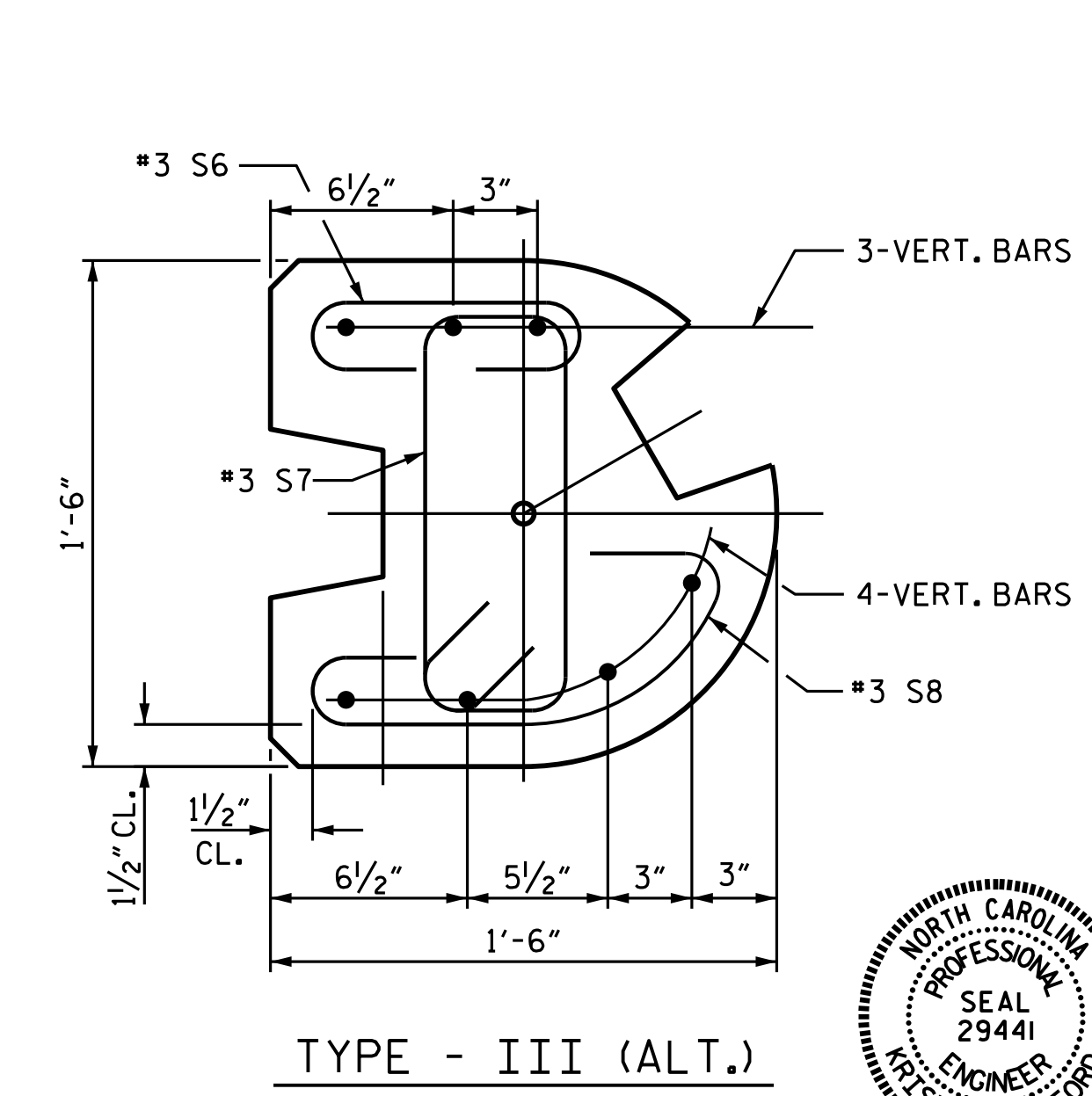
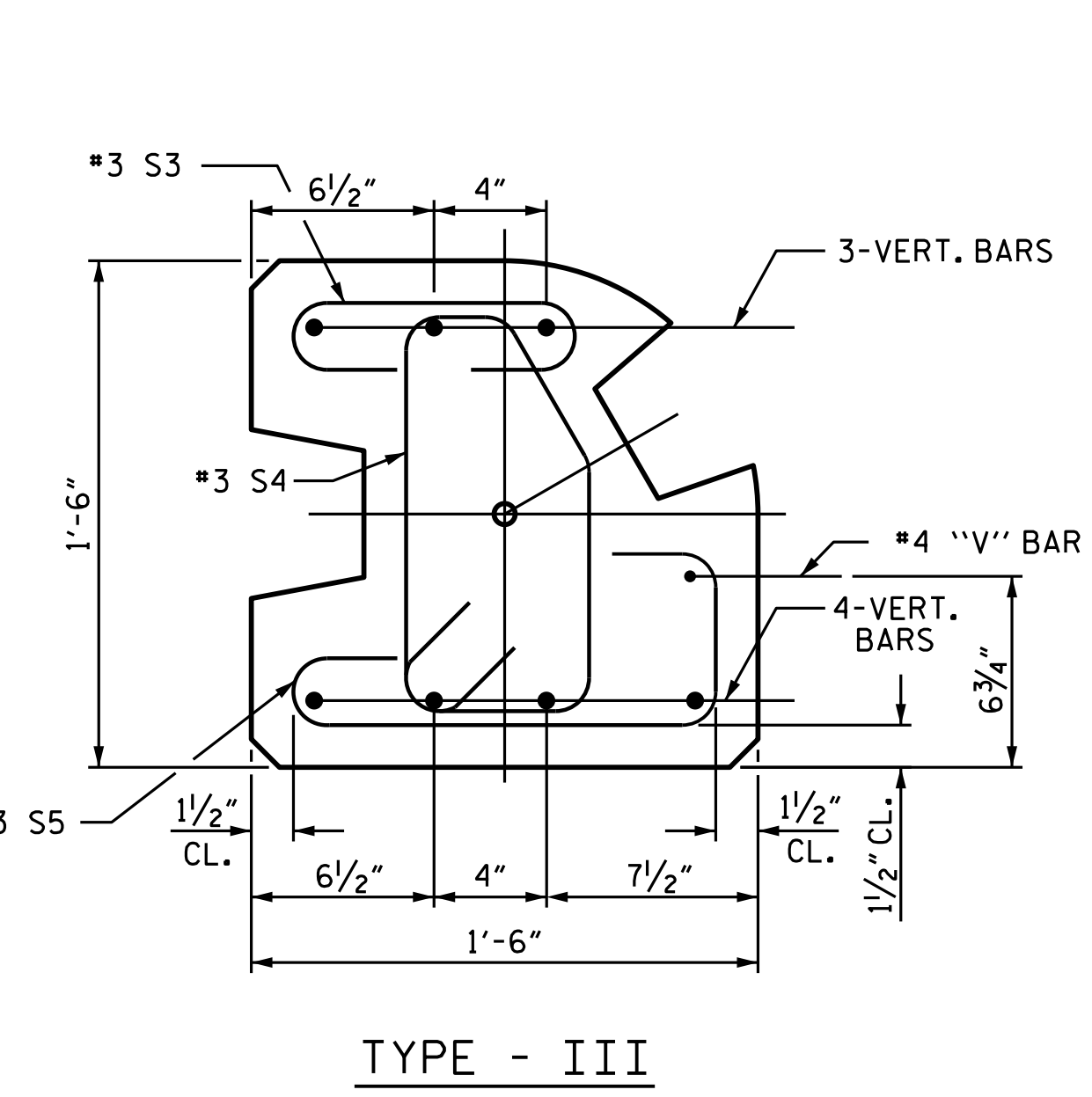
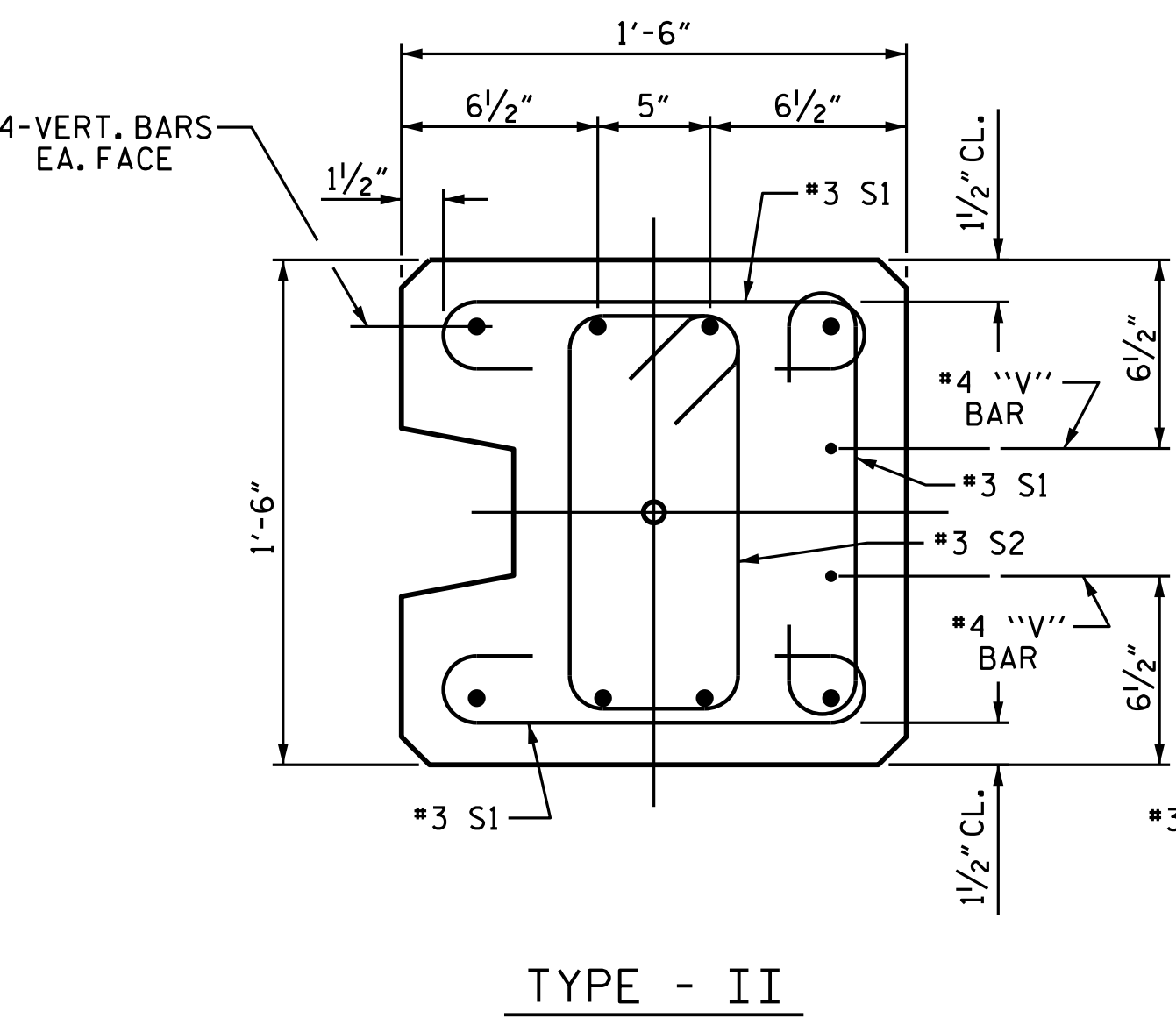
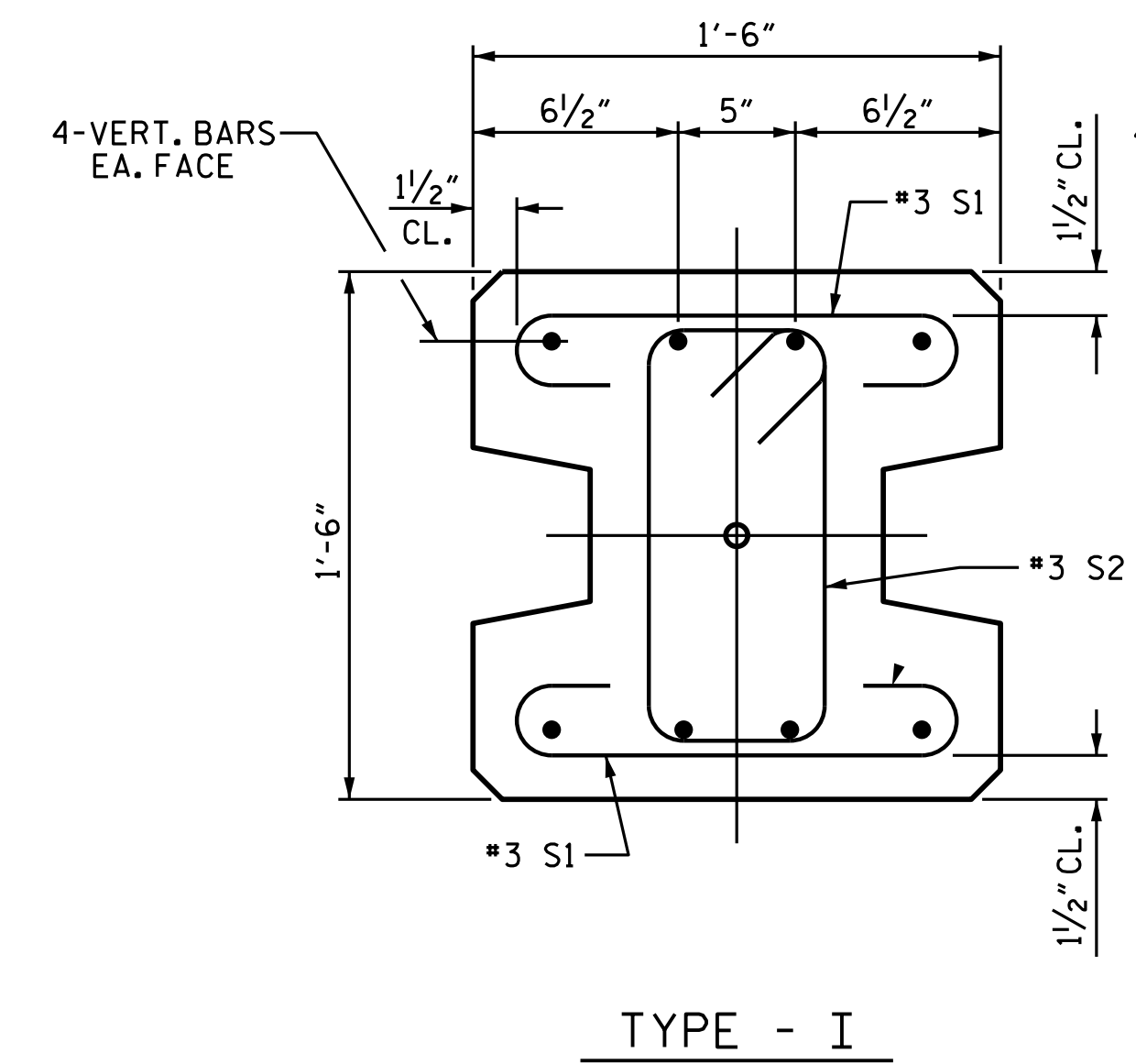
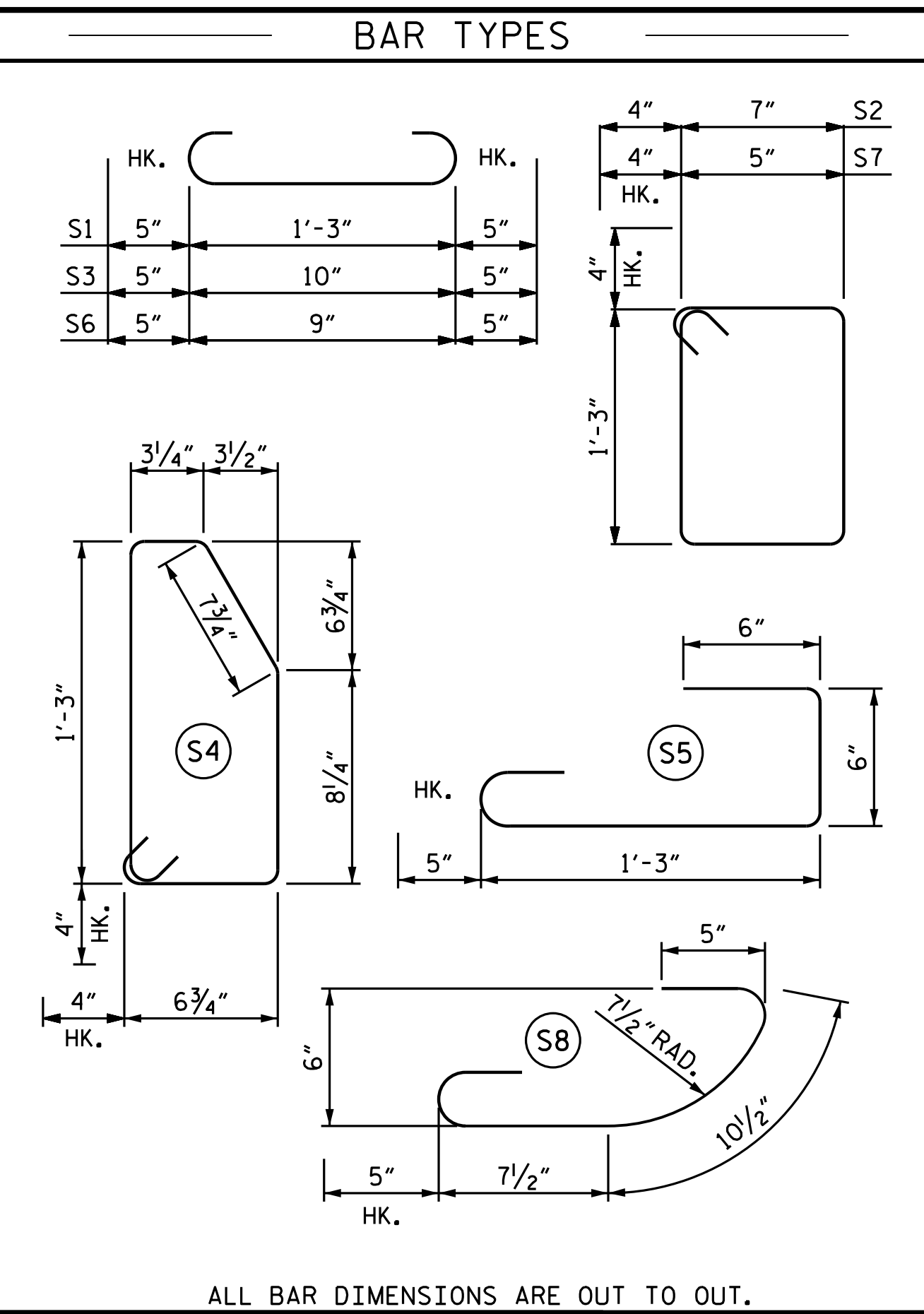
WHERE CAST-IN-PLACE LIFTING DEVICES ARE NOT USED, PICK-UP POINTS TO BE INDICATED WITH A BLACK MARK 2" WIDE.

THE SLIP-FORM METHOD OF CASTING PILES WILL NOT BE PERMITTED.

ALL CORNERS TO BE CHAMFERED 1".

QUANTITIES FOR ONE PRECAST CONCRETE PILE

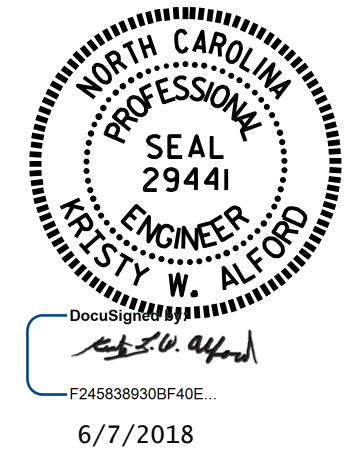
LENGTH	APPROX. PILE WT. TONS	ONE PICK-UP POINT		TWO PICK-UP POINT	
		0.300L	0.700L	0.207L	0.586L
10'-0"	1.56	3'-0"	7'-0"		
15'-0"	2.35	4'-6"	10'-6"		
20'-0"	3.14	6'-0"	14'-0"		
25'-0"	3.93	7'-6"	17'-6"		
30'-0"	4.70	9'-0"	21'-0"		
35'-0"	5.49	10'-6"	24'-6"		
40'-0"	6.28	12'-0"	28'-0"		
45'-0"	7.05	13'-6"	31'-6"		
50'-0"	7.84	15'-0"	35'-0"		
55'-0"	8.63			11'-4 1/2"	32'-3"
60'-0"	9.42			12'-5"	35'-2"



PILE DETAIL

FOR VERTICAL BAR PILE REINFORCING, SEE SHEET 1 OF 3

PROJECT NO. U-4405  
 CUMBERLAND COUNTY  
 STATION: 10+00.00 -NW1-  
 SHEET 3 OF 3



STATE OF NORTH CAROLINA  
 DEPARTMENT OF TRANSPORTATION  
 RALEIGH

STANDARD  
 SOUND BARRIER WALL  
 DETAILS

REVISIONS						SHEET NO.
NO.	BY:	DATE:	NO.	BY:	DATE:	SBW-3
1			3			TOTAL SHEETS
2			4			3

ASSEMBLED BY : K.W. ALFORD DATE : 6/18  
 CHECKED BY : G.W. DICKEY DATE : 6/18  
 DRAWN BY : MAA 6/11 REV. 1/15/14 RWW/TMG  
 CHECKED BY : GM 6/11 REV. 12/17 MAA/THC

DOCUMENT NOT CONSIDERED  
 FINAL UNLESS ALL  
 SIGNATURES COMPLETED