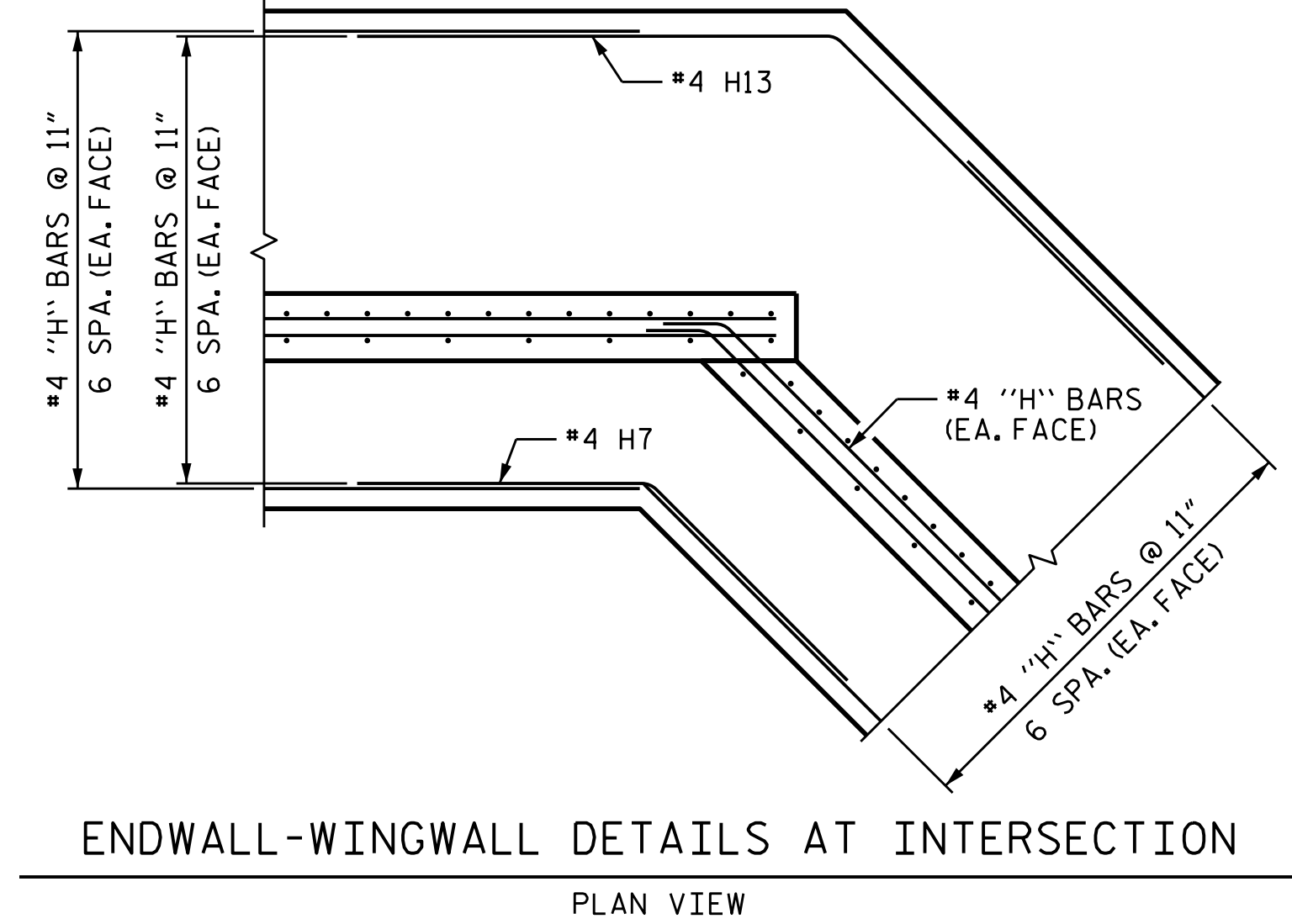
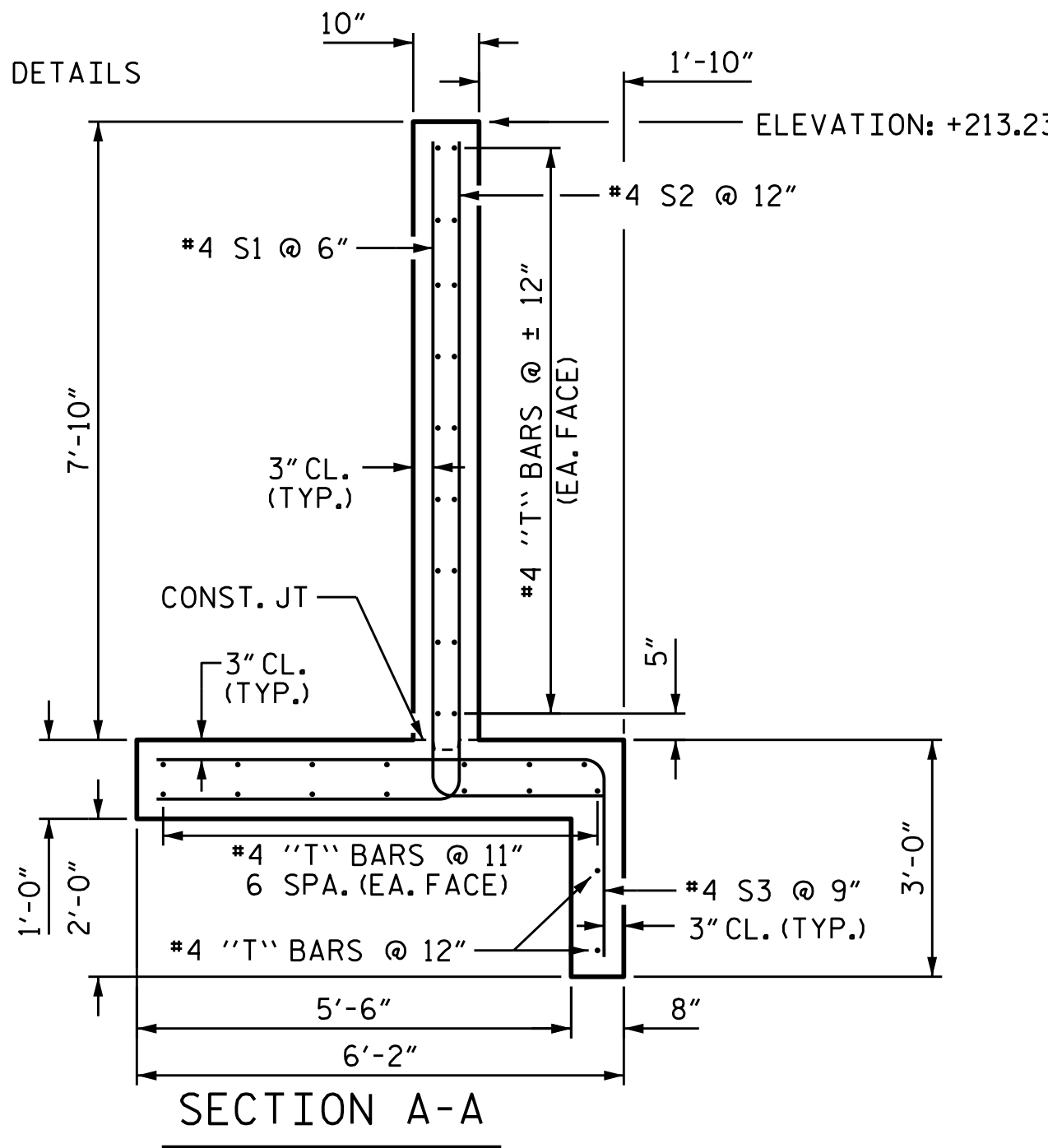
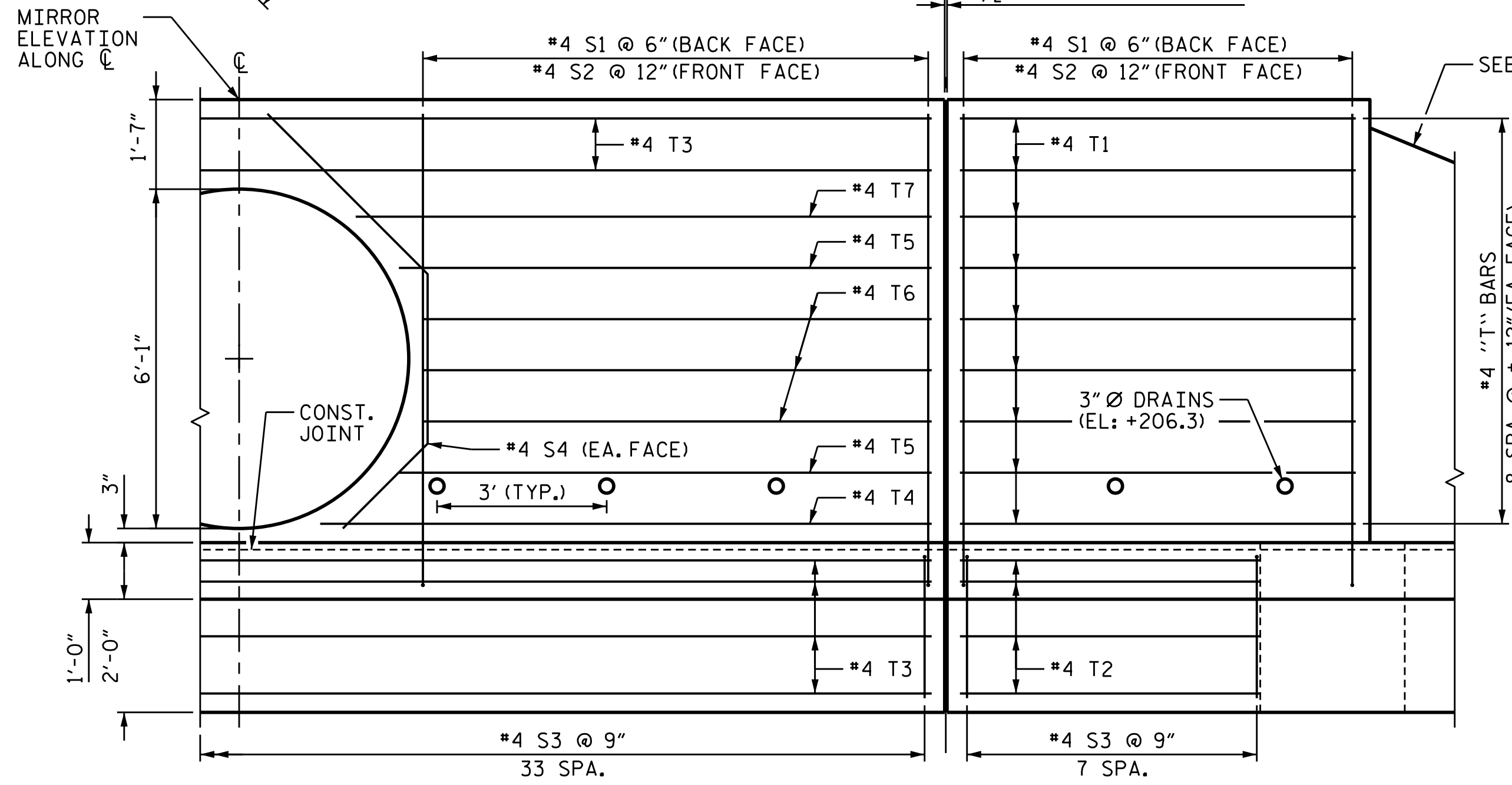


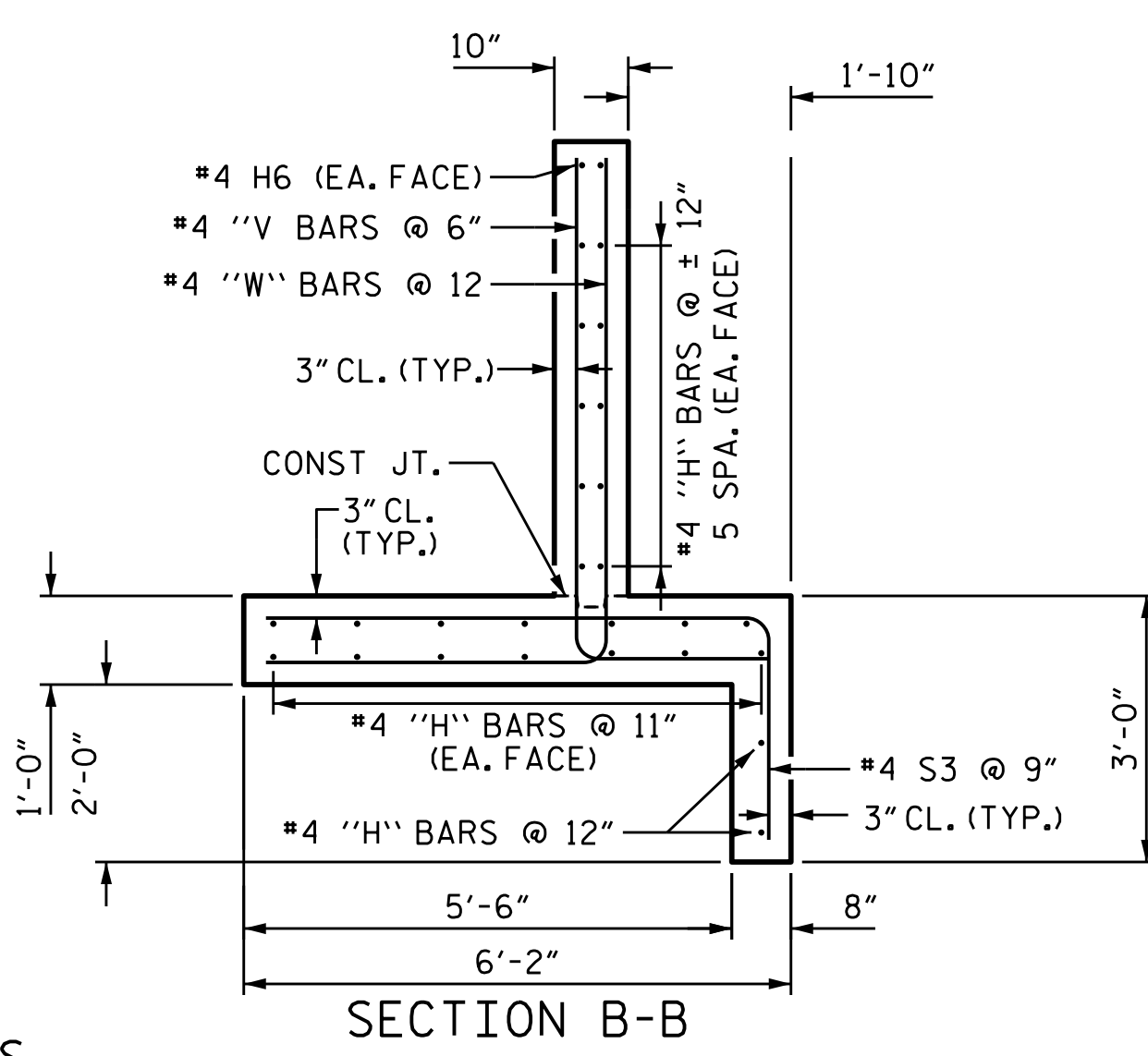
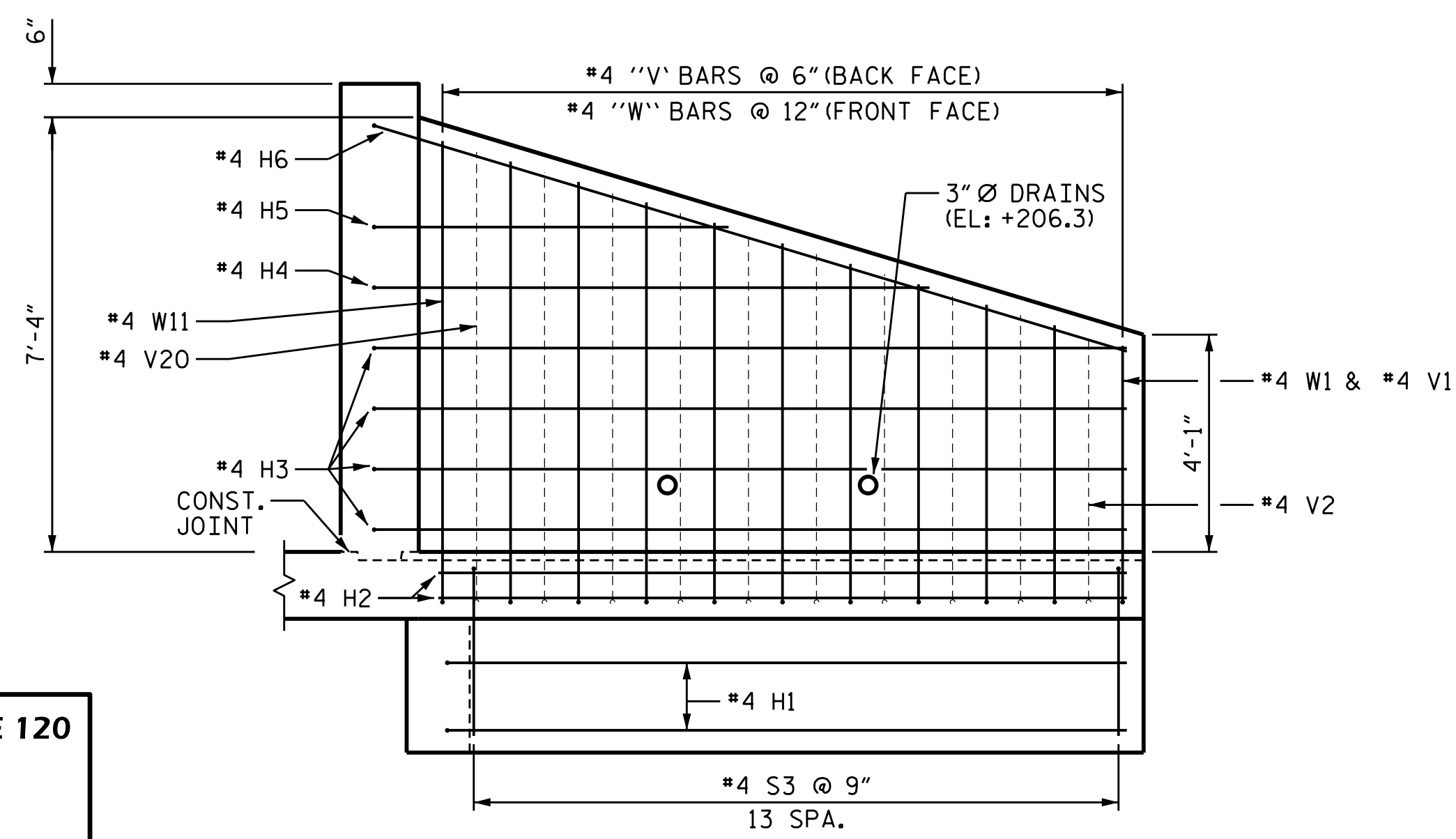
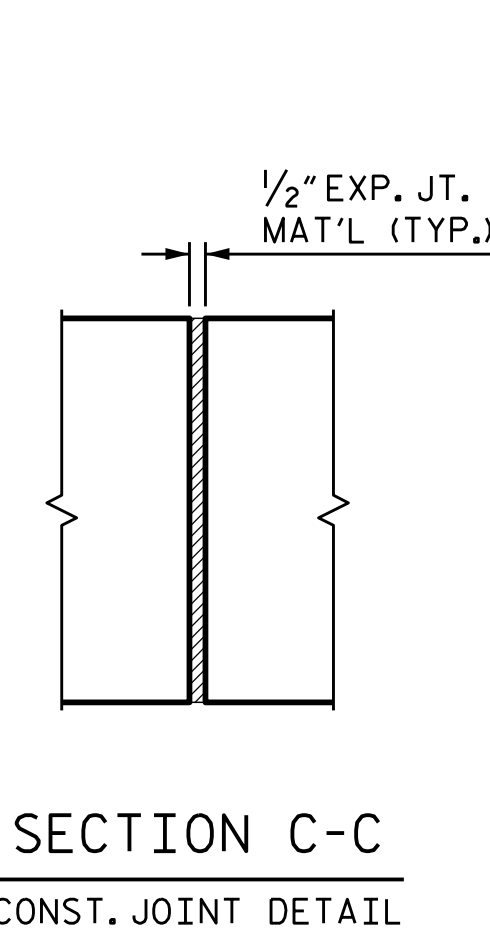
- NOTES:**
- USE CLASS "A" CONCRETE.
 - CHAMFER ALL EXPOSED CORNERS 1".
 - ALL DIMENSIONS RELATIVE TO PLACEMENT OF REINFORCING STEEL ARE TO CENTERS OF BARS.
 - PLACE A STONE DRAIN CONSISTING OF ONE (1) CUBIC FOOT OF NUMBER 78M STONE CONTAINED IN A POROUS FABRIC AT EACH WEEP HOLE. PLACE SUBDRAIN FINE AGGREGATE BENEATH, AROUND AND OVER THE STONE DRAIN SO THE STONE DRAIN IS COMPLETELY COVERED BY A LAYER OF SUBDRAIN FINE AGGREGATE AT LEAST ONE (1) FOOT THICK. WHERE THERE IS MORE THAN A WEEP HOLE IN A WING WALL, PLACE A HORIZONTAL DRAIN OF SUBDRAIN FINE AGGREGATE AT LEAST ONE (1) FOOT SQUARE IN CROSS SECTION TO CONNECT ALL STONE DRAINS. PLACE A VERTICAL DRAIN OF SUBDRAIN FINE AGGREGATE AT LEAST ONE (1) FOOT SQUARE IN CROSS SECTION AT EACH WEEP HOLE TO AN ELEVATION OF TWO (2) FEET BELOW THE SURFACE OF THE EMBANKMENT.



ELEVATION
ENDWALL DETAILS

SECTION A-A

ENDWALL-WINGWALL DETAILS AT INTERSECTION
PLAN VIEW

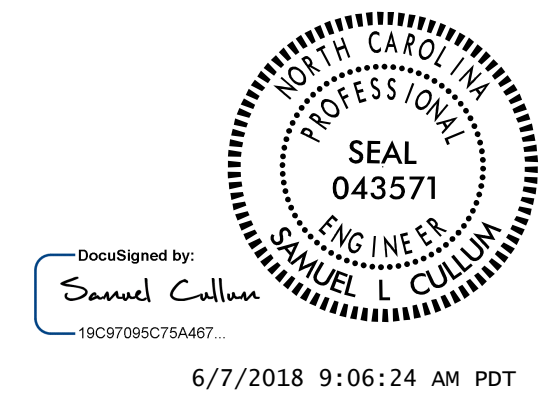


ELEVATION
WINGWALL DETAILS

SECTION B-B

KCA 4800 SIX FORKS ROAD SUITE 120
KISINGER CAMPO & ASSOCIATES RALEIGH, NC 27609
(919) 882-7839

DRAWN BY: DIEGO A. AGUIRRE DATE: 5-4-18
CHECKED BY: JACOB H. DUKE DATE: 5-7-18
DESIGN ENGINEER OF RECORD: SAMUEL L. CULLUM DATE: 5-7-18



PROJECT NO. U-4405
CUMBERLAND COUNTY
STATION: -L- 46+69 RT

SHEET 2 OF 3

STATE OF NORTH CAROLINA
DEPARTMENT OF TRANSPORTATION
RALEIGH

STRUCTURE #0637
REINFORCED CONCRETE
END WALL
LAYOUT AND DETAILS

REVISIONS						SHEET NO.
NO.	BY:	DATE:	NO.	BY:	DATE:	C2-2
1			3			TOTAL SHEETS
2			4			3

DOCUMENT NOT CONSIDERED FINAL UNLESS ALL SIGNATURES COMPLETED