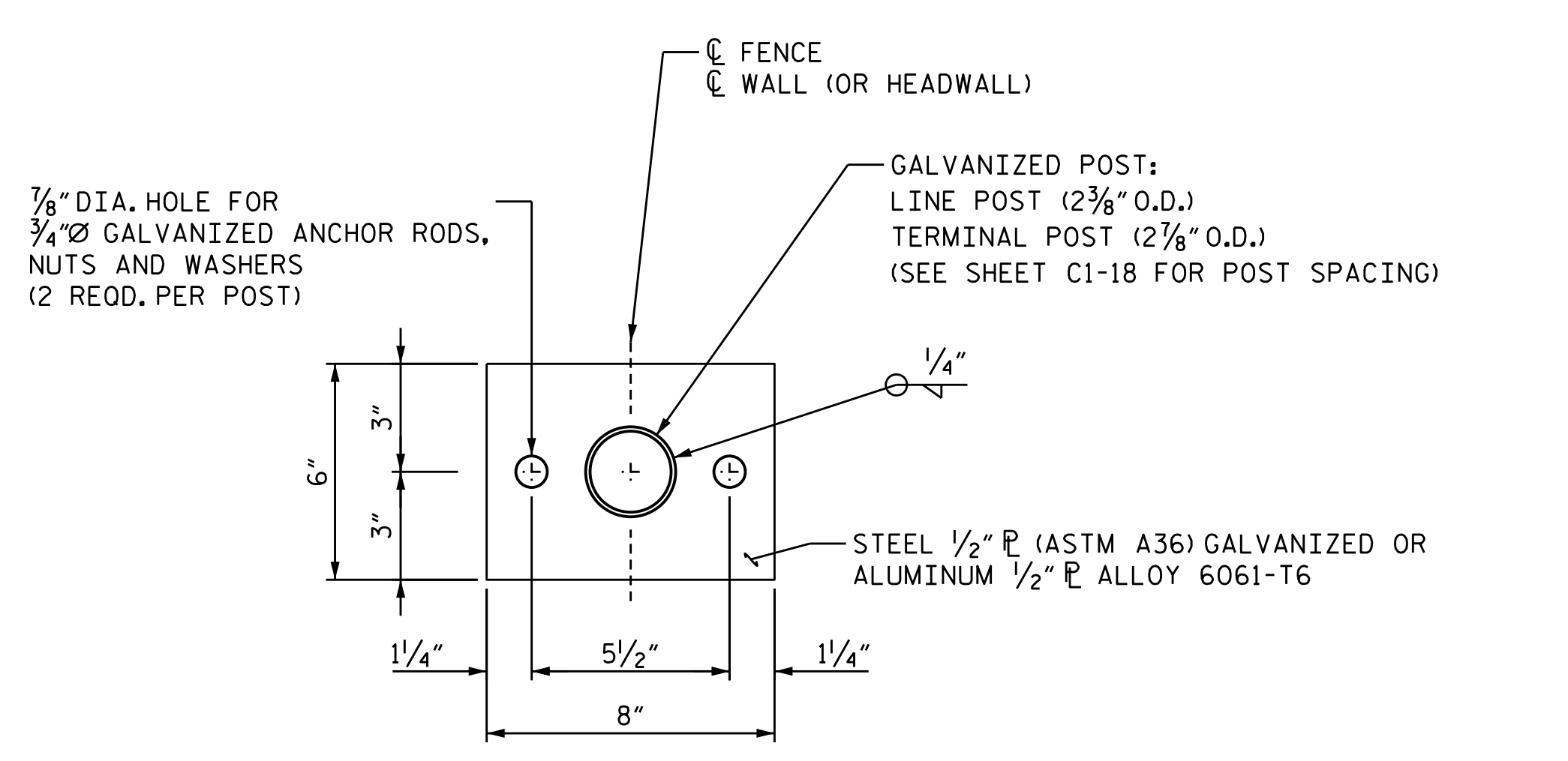
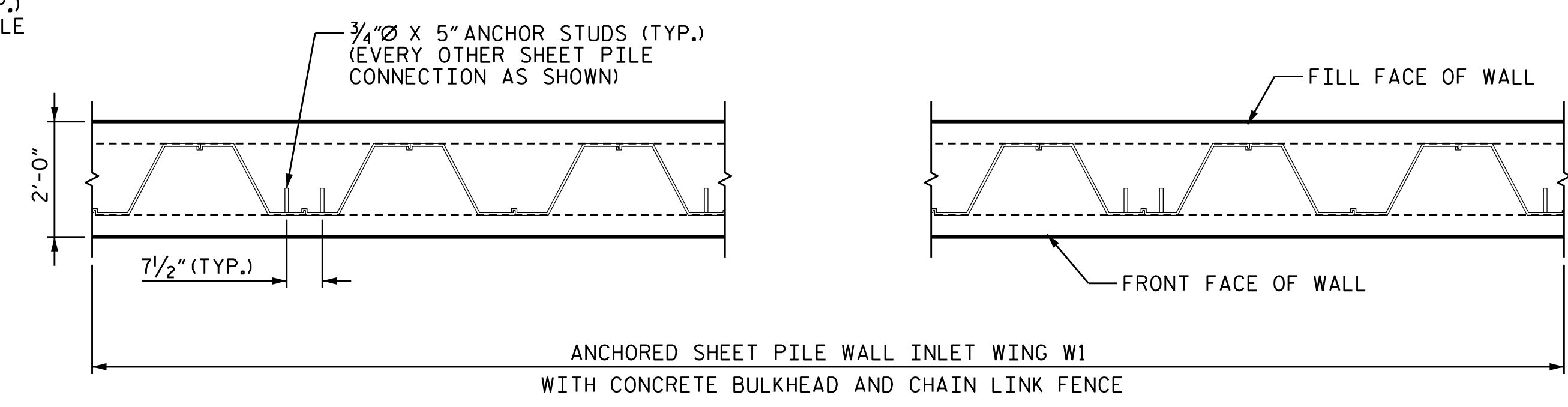


CONCRETE BULKHEAD AND CHAIN LINK FENCE DETAIL
TYPICAL SECTION

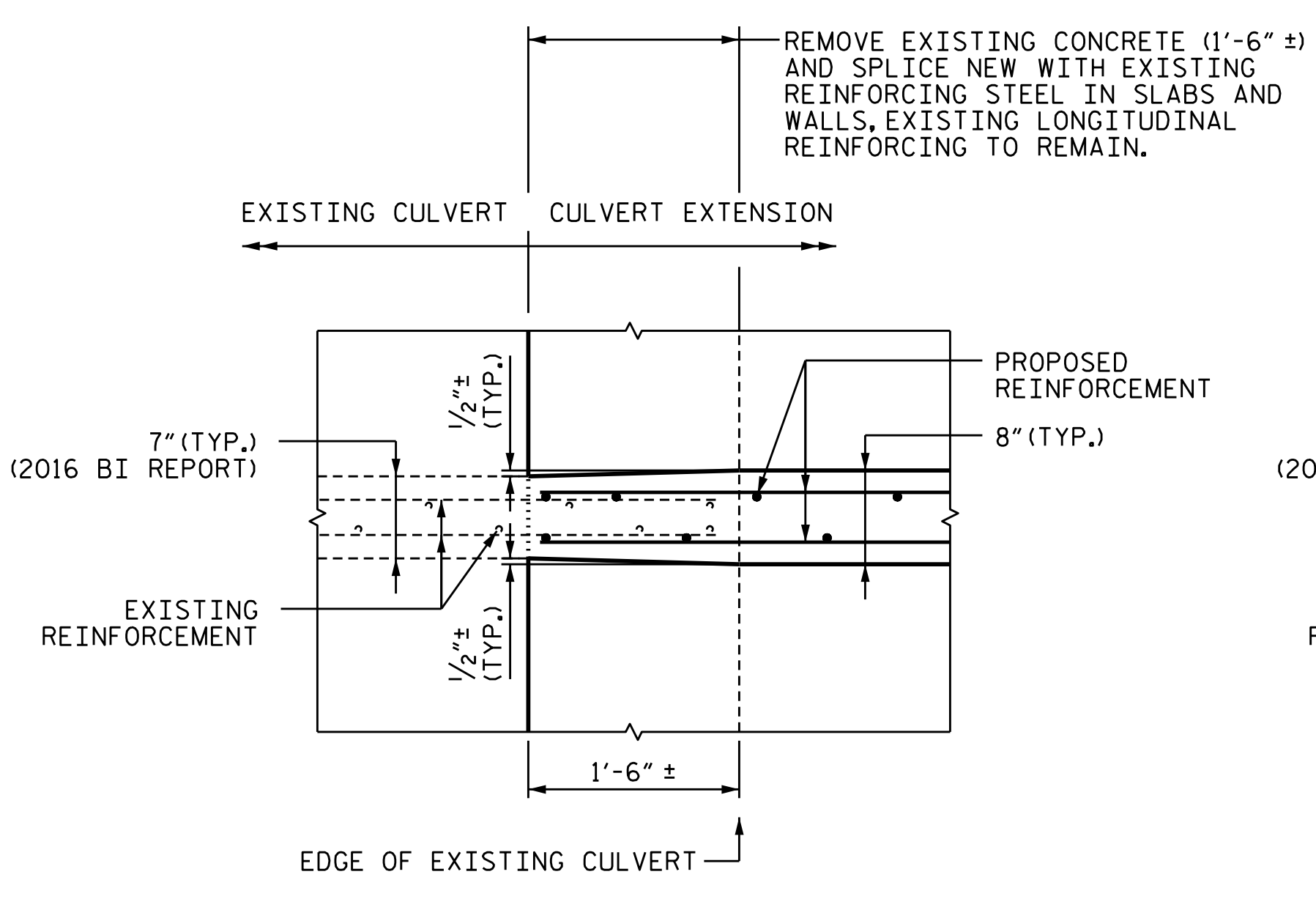


TOP VIEW - TWO ANCHOR PLATE DETAIL

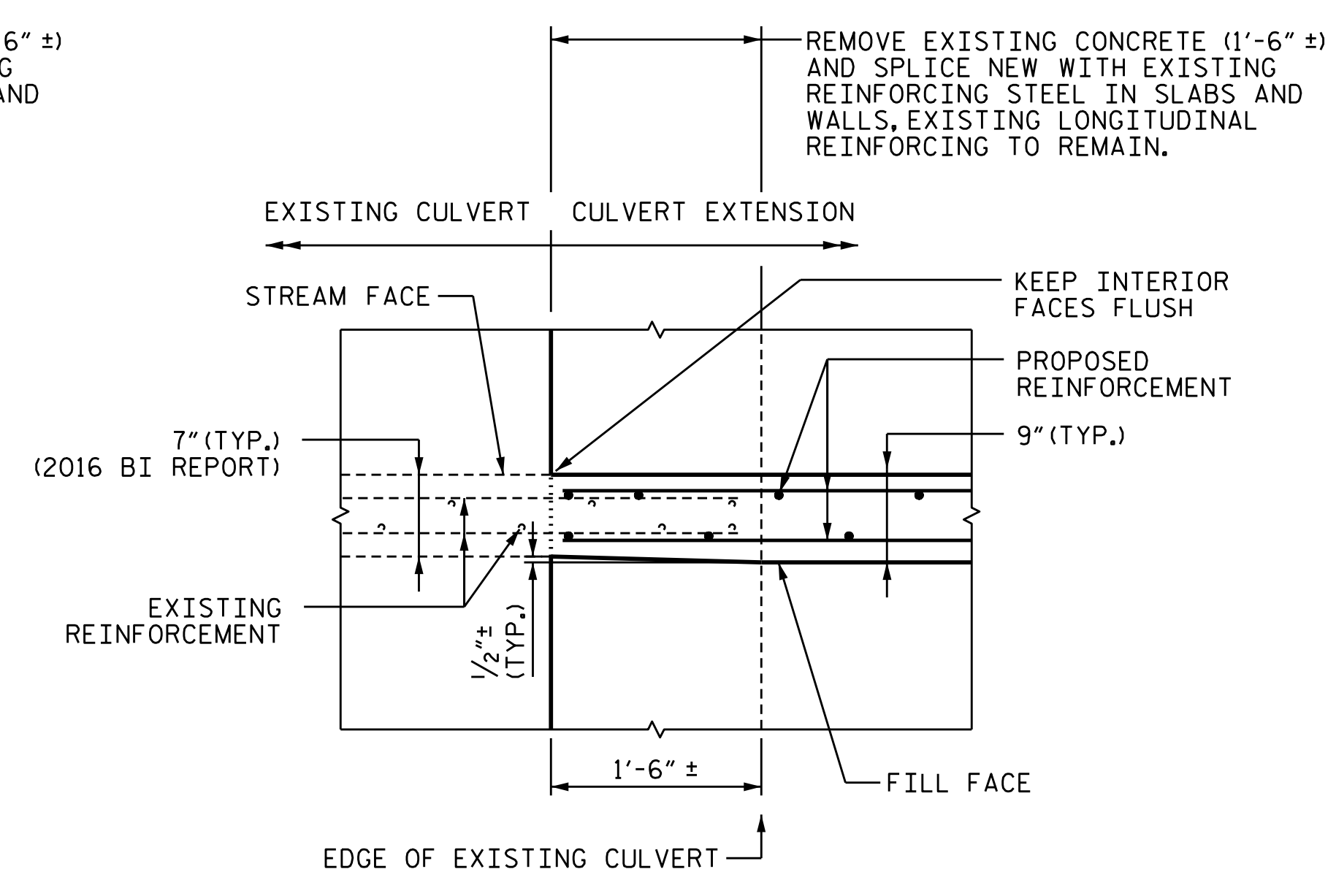


PARTIAL PLAN
ANCHOR RODS AND CHAIN LINK FENCE NOT SHOWN FOR CLARITY

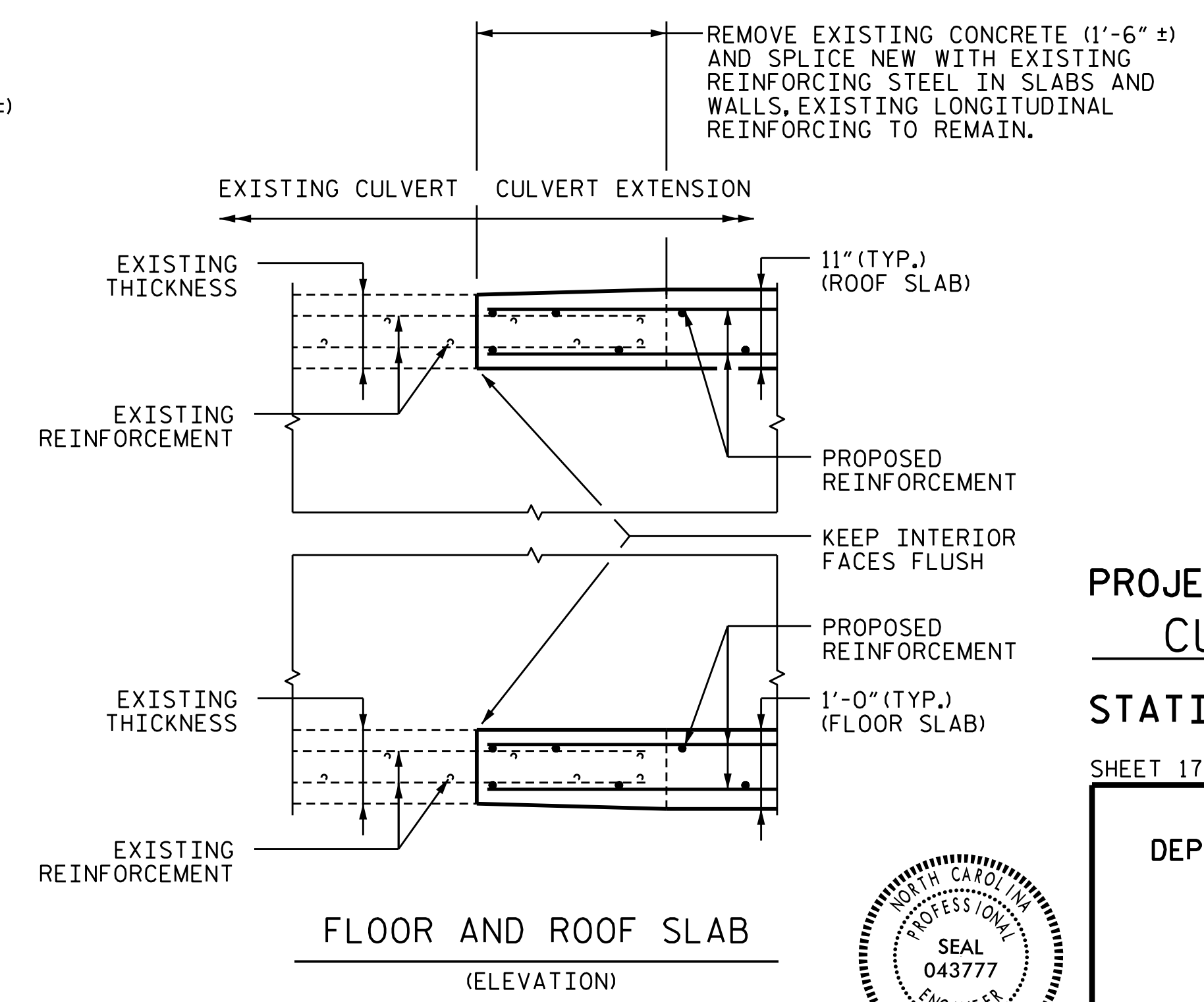
INLET WING W1 BULKHEAD AND FENCE DETAILS



INTERIOR WALLS
(PLAN)



EXTERIOR WALLS
(PLAN)

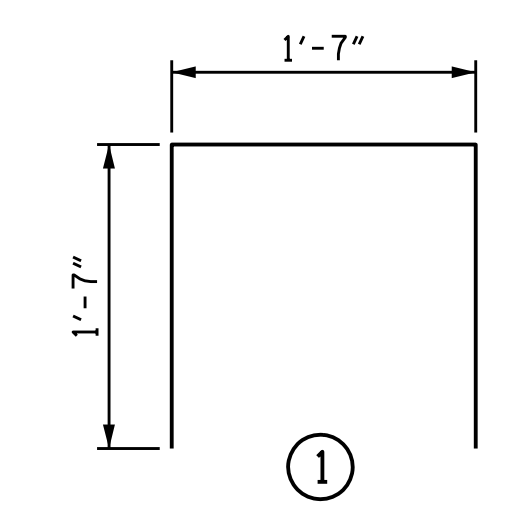


FLOOR AND ROOF SLAB
(ELEVATION)

TRANSITIONING WALL AND SLAB THICKNESS DETAIL

BILL OF MATERIAL FOR CONCRETE BULKHEAD AT INLET WING W1					
BAR	NUMBER	SIZE	TYPE	LENGTH	WEIGHT
B1	7	#4	STR	23'-4"	110
B2	7	#4	STR	39'-6"	185
C1	63	#4	1	4'-9"	200
REINFORCING STEEL				LBS.	495
CLASS "A" CONCRETE				CU. YDS.	9.3

BAR TYPES



ALL BAR DIMENSIONS ARE OUT TO OUT

NOTES:

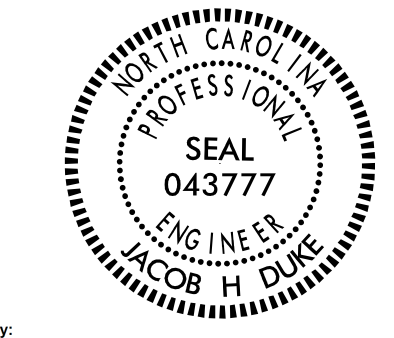
- FOR ANCHORED SHEET PILE WALL, SEE SPECIAL PROVISIONS.
- COORDINATE THIS SHEET WITH INFORMATION ON SHEET C1-18.
- ALL FENCE POST MOUNTING SHALL BE CONSIDERED INCIDENTAL TO THE COST OF THE METAL CHAIN LINK FENCE POSTS.

PROJECT NO. U-4405
CUMBERLAND COUNTY
STATION: 137+99.59 -L-

SHEET 17 OF 18

STATE OF NORTH CAROLINA
DEPARTMENT OF TRANSPORTATION
RALEIGH

CULVERT EXTENSION
MISCELLANEOUS DETAILS
(1 OF 2)



DocuSigned by:
Jacob H. Duke
6/13/2018 12:14:58 PM PDT

KCA 4800 SIX FORKS ROAD SUITE 120
KISINGER CAMPO & ASSOCIATES RALEIGH, NC 27609
(919) 882-7839

DRAWN BY : DIEGO A. AGUIRRE DATE : 5-18-18
CHECKED BY : JACOB H. DUKE DATE : 5-22-18
DESIGN ENGINEER OF RECORD : JACOB H. DUKE DATE : 5-25-18

REVISIONS						SHEET NO.
NO.	BY:	DATE:	NO.	BY:	DATE:	C1-17
1			3			TOTAL SHEETS
2			4			18

DOCUMENT NOT CONSIDERED FINAL UNLESS ALL SIGNATURES COMPLETED